



US00D901807S

(12) **United States Design Patent**
Frank et al.

(10) **Patent No.:** **US D901,807 S**

(45) **Date of Patent:** **** Nov. 10, 2020**

(54) **KNIFE CLEANER**

(71) Applicant: **Spectrum Diversified Designs, LLC**,
Streetsboro, OH (US)

(72) Inventors: **Matthew Frank**, Seattle, WA (US);
Derek Veldkamp, Seattle, WA (US)

(73) Assignee: **SPECTRUM DIVERSIFIED**
DESIGNS, LLC, Streetsboro, OH (US)

(**) Term: **15 Years**

(21) Appl. No.: **29/623,351**

(22) Filed: **Oct. 24, 2017**

(51) **LOC (12) Cl.** **07-05**

(52) **U.S. Cl.**
USPC **D32/46**

(58) **Field of Classification Search**
USPC D32/40-43, 45-46, 50-52, 68;
D8/394-396
CPC ... A47L 11/40; A47L 1/08; A47L 1/00; A47L
13/12; A47L 13/10; B44D 3/16; E04F
21/00; E04F 21/24; E04D 13/076; E04D
13/04
See application file for complete search history.

D379,256 S * 5/1997 Tipp D32/46
D381,361 S * 7/1997 Sato D19/65
D400,584 S * 11/1998 Wolff D19/65
D437,613 S * 2/2001 Melnyk D19/34
D440,770 S * 4/2001 Chen D28/63
D450,771 S * 11/2001 Niwa D19/65
6,973,695 B1 * 12/2005 Nesler A47L 1/06
15/144.2
D545,516 S * 6/2007 Munro D32/40
D546,512 S * 7/2007 Kertz D1/127
D584,599 S * 1/2009 Chavez D8/356
D589,665 S * 3/2009 Kwapis D28/7
D622,468 S * 8/2010 Parker D32/42
D623,371 S * 9/2010 Li D32/40
D681,344 S * 5/2013 Davis D4/138
D704,541 S * 5/2014 Goodman D8/394
D736,853 S * 8/2015 Brown D19/34
D781,571 S * 3/2017 Moerer D3/215
D794,438 S * 8/2017 Davis D8/395
D846,216 S * 4/2019 Hamilton D32/40
D866,896 S * 11/2019 Gee, II D32/46

(Continued)

Primary Examiner — John R Yeh

(57) **CLAIM**

We claim the ornamental design for a knife cleaner, as shown and described.

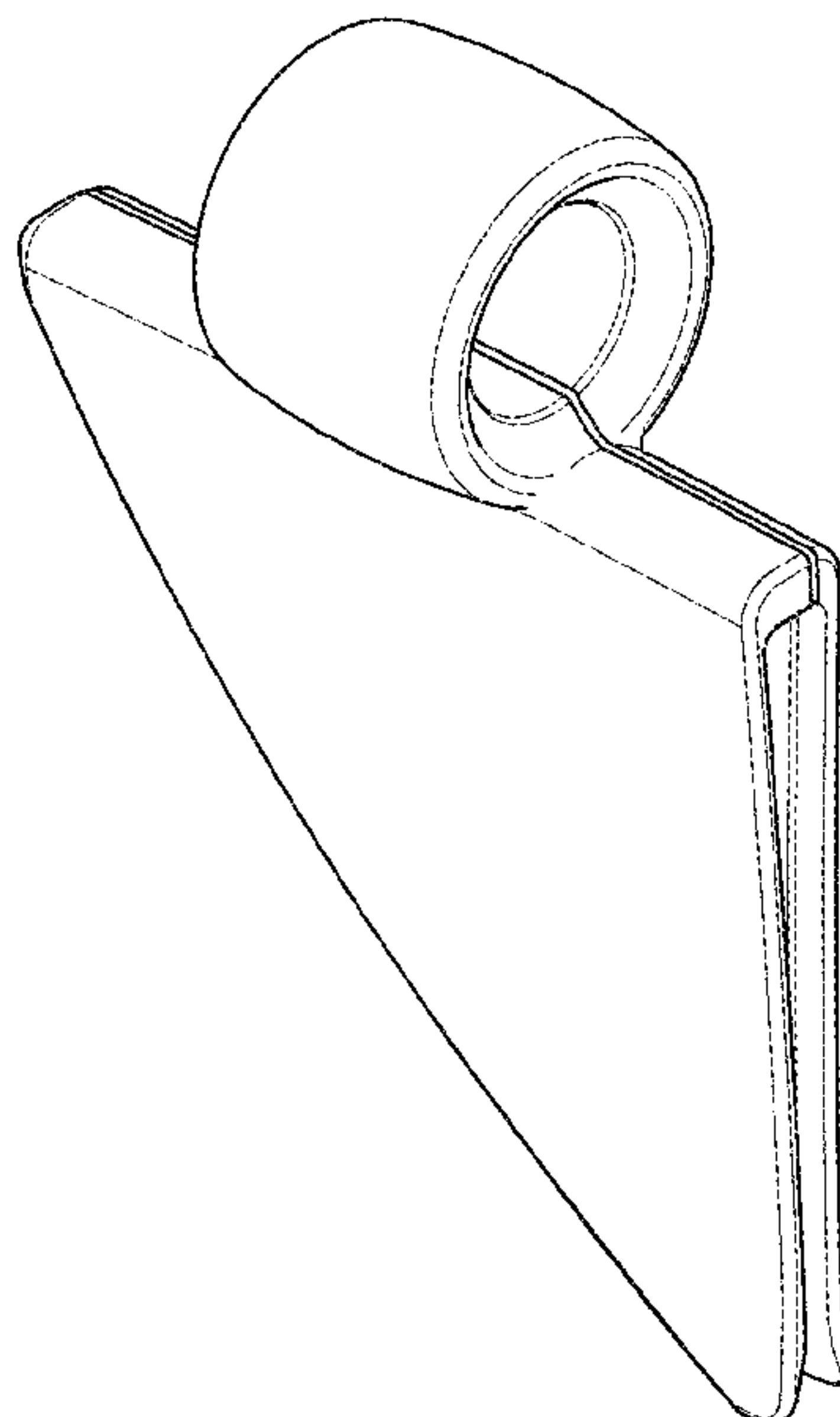
DESCRIPTION

FIG. 1 is a front, right perspective view of our design for a knife cleaner;
FIG. 2 is a front view thereof;
FIG. 3 is a left side view thereof;
FIG. 4 is a top view thereof;
FIG. 5 is a bottom view thereof;
FIG. 6 is a bottom, left perspective view thereof; and,
FIG. 7 is a perspective view showing our design in an environment of use.
The broken lines in the figures depict environment of the knife cleaner and form no part of the claimed design.

1 Claim, 7 Drawing Sheets

(56) **References Cited**
U.S. PATENT DOCUMENTS

1,388,282 A * 8/1921 Meredith A47L 17/06
15/245
D297,276 S * 8/1988 Siler, Jr. D32/41
D302,880 S * 8/1989 Terry D32/46
D332,160 S * 12/1992 Kuzma D32/41
D352,963 S * 11/1994 Siler D19/65
D355,097 S * 2/1995 Ostensen D7/601
D359,230 S * 6/1995 Levine D19/34.1
D362,936 S * 10/1995 Shabel D32/46
D364,719 S * 11/1995 Crawford D32/46
D365,425 S * 12/1995 Breshears D32/40



(56)

References Cited

U.S. PATENT DOCUMENTS

D873,124 S *	1/2020	Nguyen	D8/394
2009/0069060 A1 *	3/2009	Kim	A45F 5/02 455/575.6

* cited by examiner

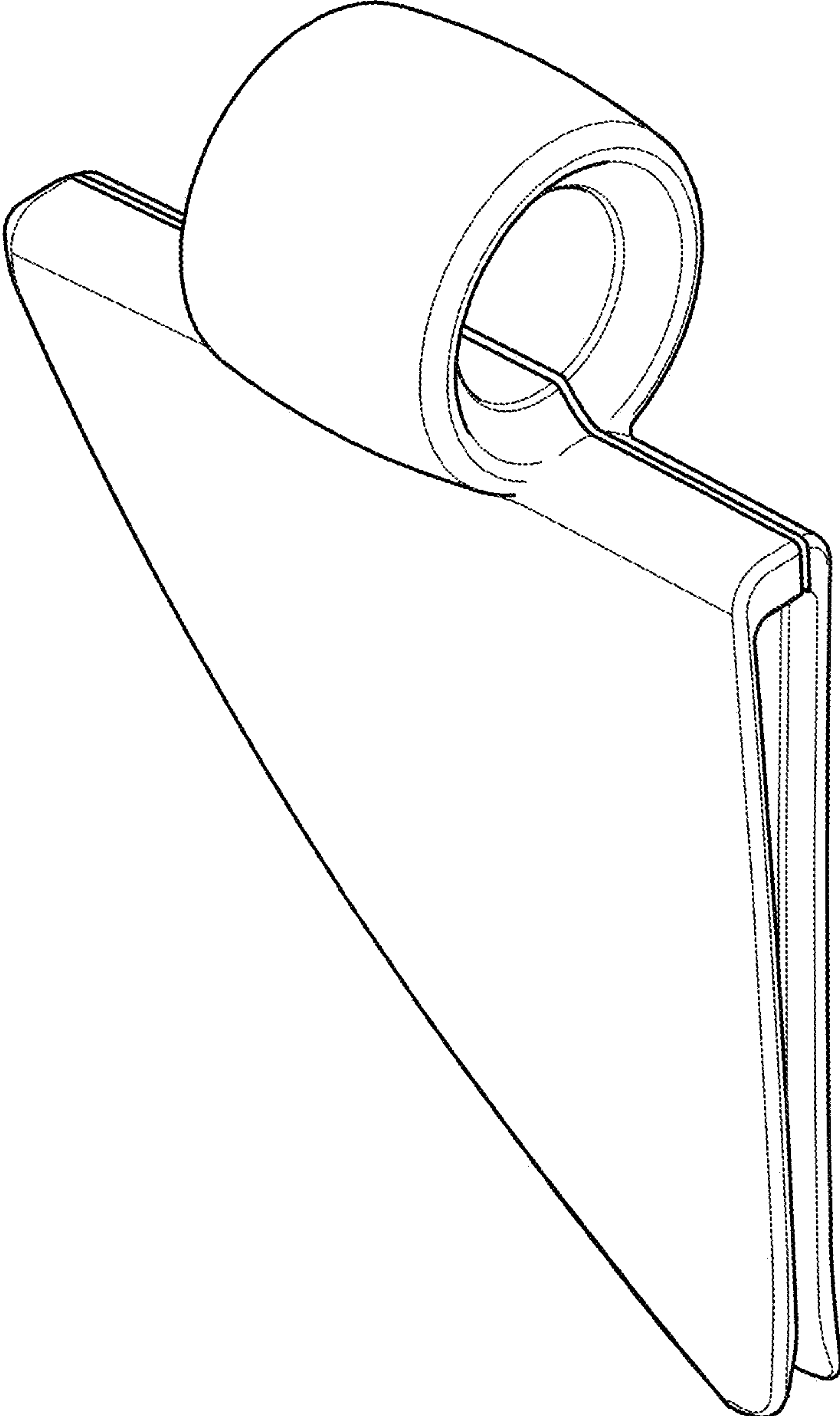


FIG. 1

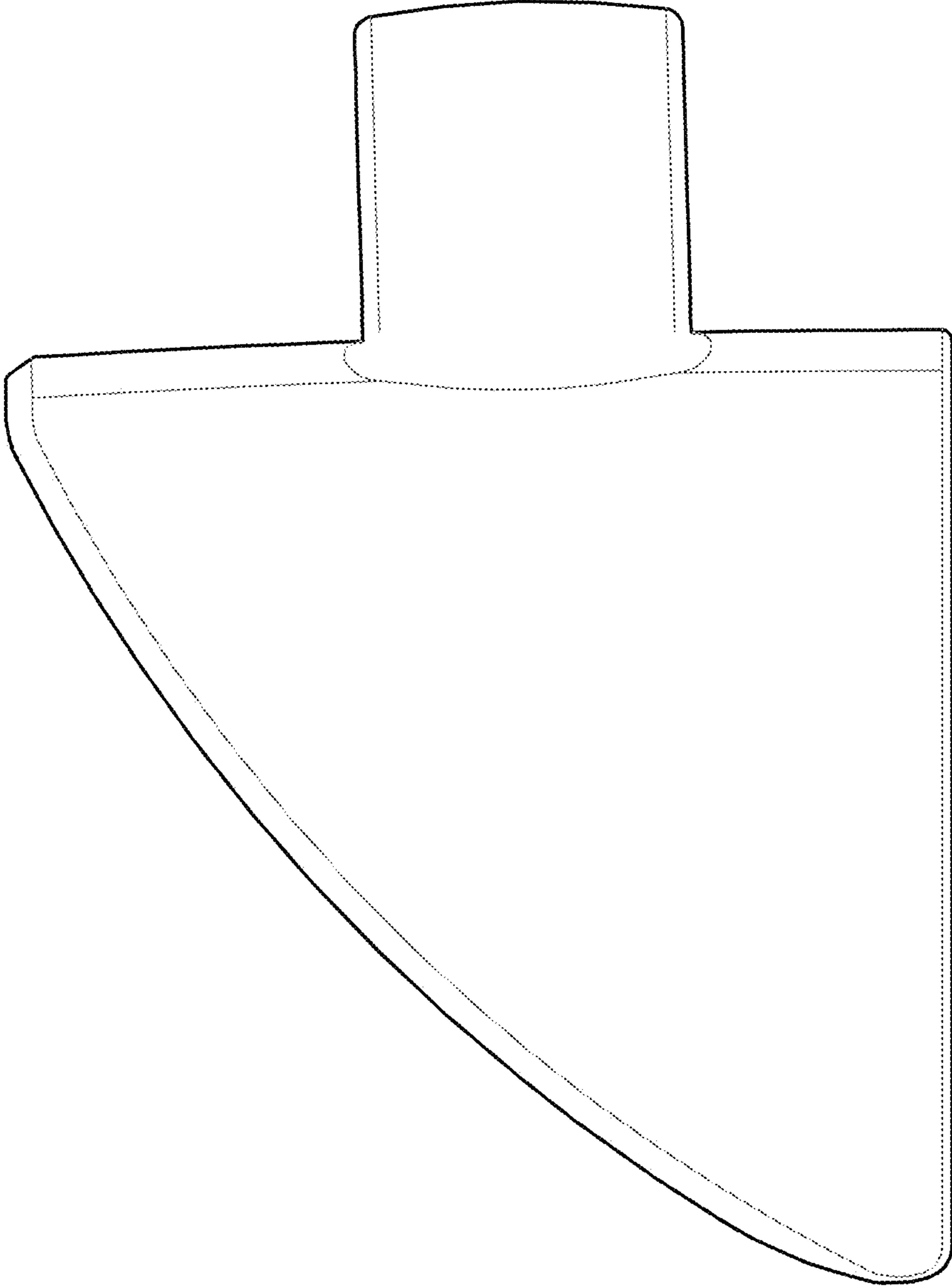


FIG. 2

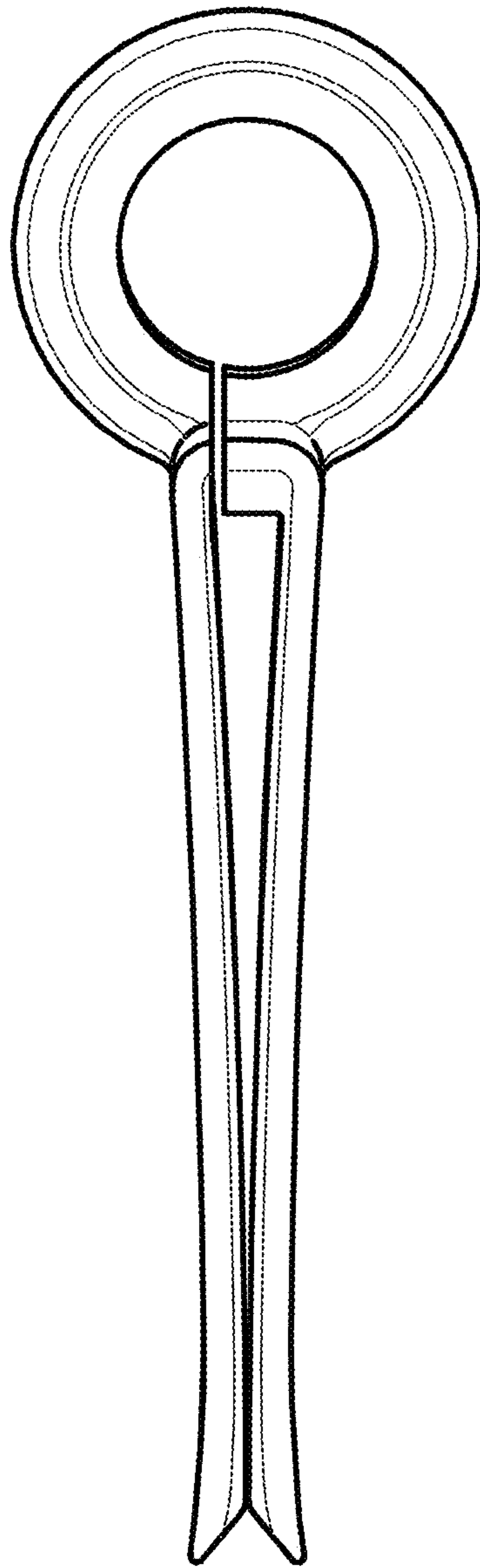


FIG. 3

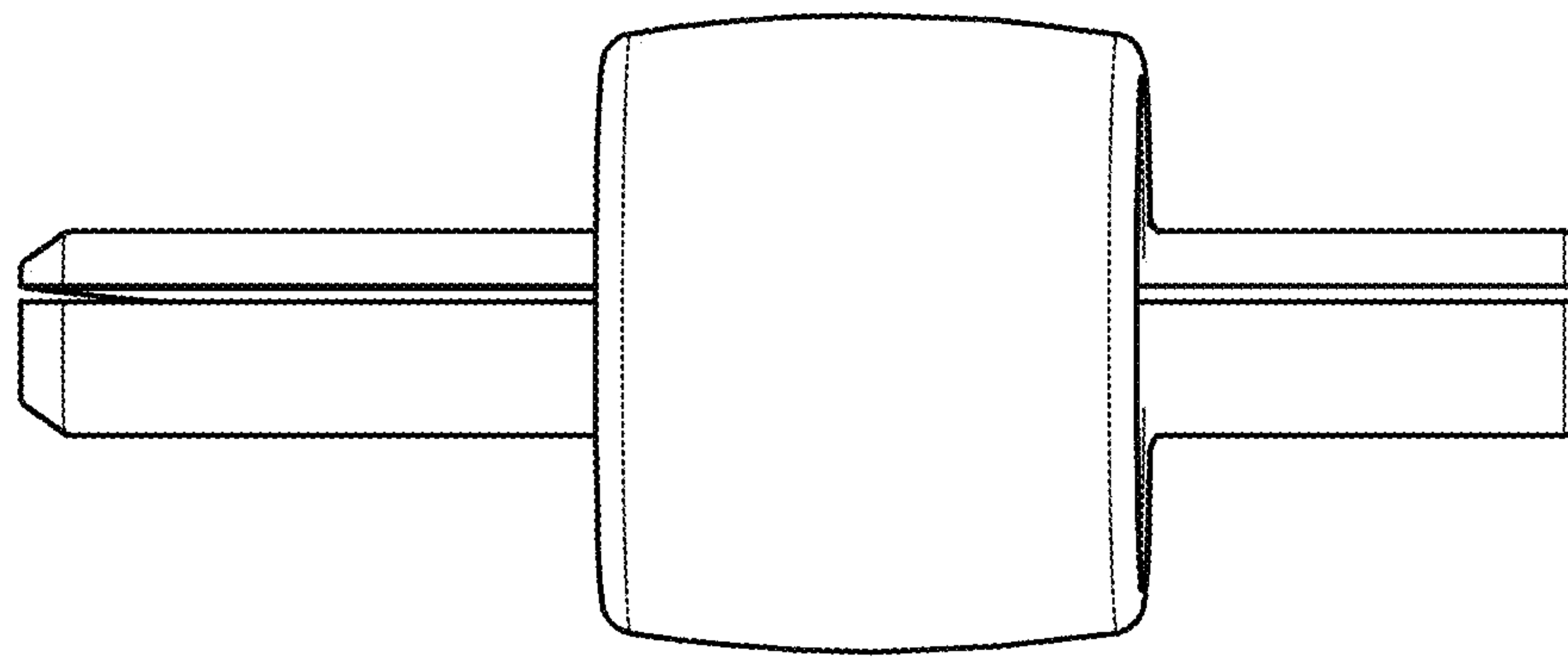


FIG. 4

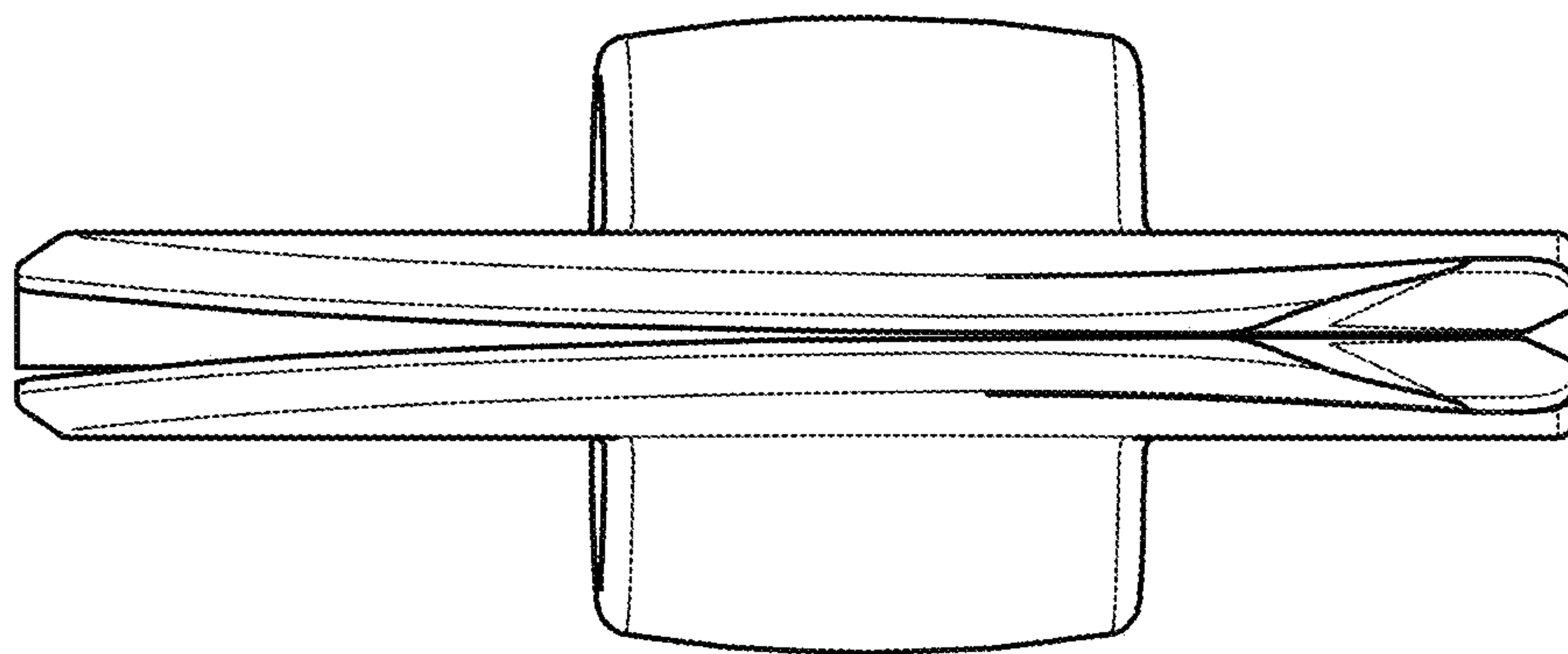


FIG. 5

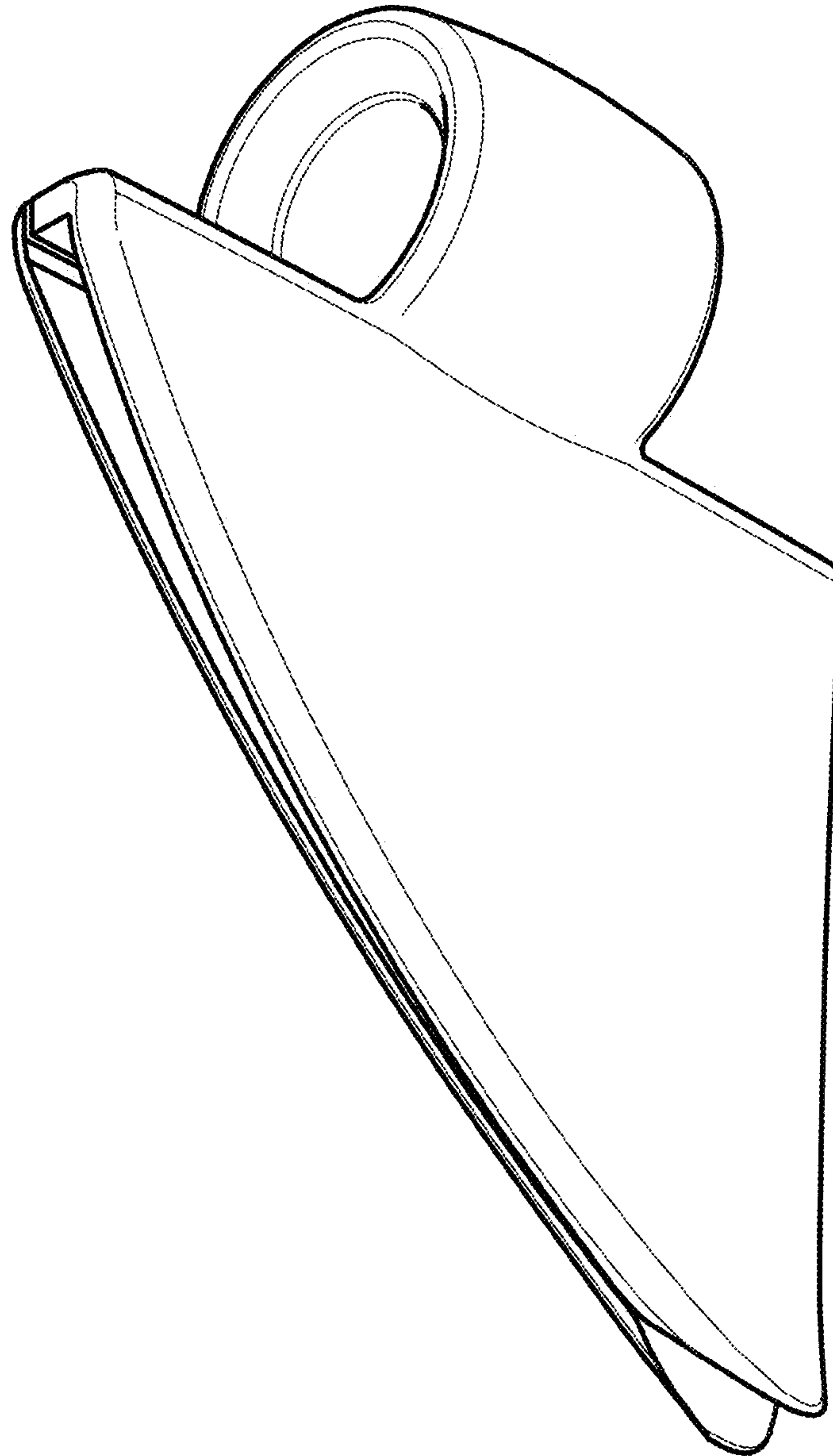


FIG. 6

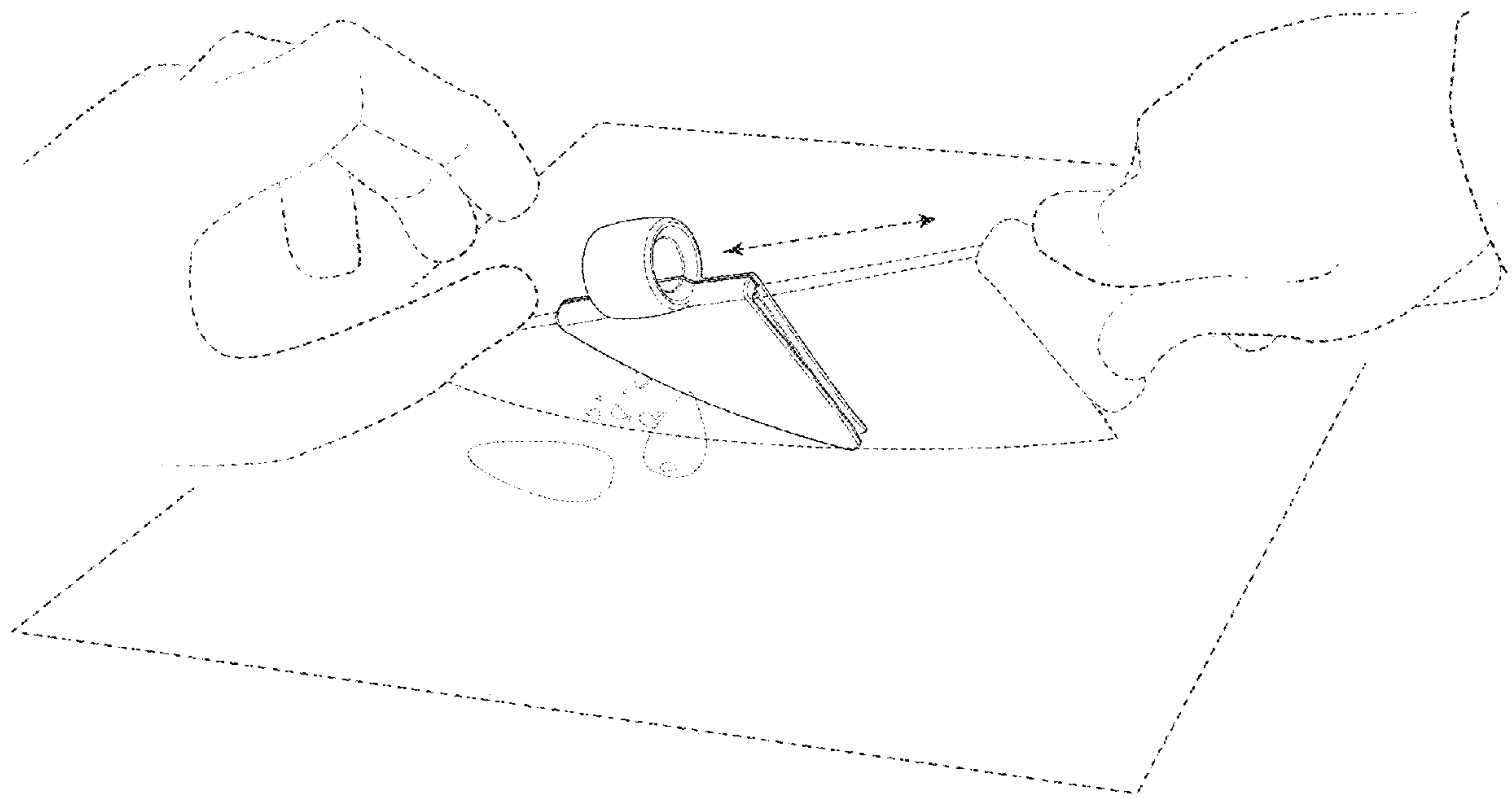


FIG. 7