



US00D901802S

(12) **United States Design Patent**
Taub

(10) **Patent No.:** **US D901,802 S**

(45) **Date of Patent:** **** Nov. 10, 2020**

(54) **CLEANING APPARATUS**

(71) Applicant: **SKT Productions, Inc.**, New York, NY (US)

(72) Inventor: **Stanley Taub**, New York, NY (US)

(73) Assignee: **SKT PRODUCTIONS, INC.**, New York, NY (US)

(**) Term: **15 Years**

(21) Appl. No.: **29/643,118**

(22) Filed: **Apr. 4, 2018**

(51) **LOC (12) Cl.** **07-05**

(52) **U.S. Cl.**
USPC **D32/40**

(58) **Field of Classification Search**
USPC D32/40-43, 45-46, 68, 50-52
CPC ... A47L 11/40; A47L 1/08; A47L 1/00; A47L 13/12; A47L 13/10; B44D 3/16; A47G 19/00; A47G 19/24
See application file for complete search history.

(56) **References Cited**

U.S. PATENT DOCUMENTS

- 1,524,202 A * 1/1925 Nottingham A47L 23/08 401/52
- 2,287,366 A * 6/1942 Younghusband A45D 40/10 401/62
- 2,318,365 A * 5/1943 Boysen A46B 5/04 15/227
- 2,864,118 A * 12/1958 Adams A47L 23/05 206/229
- 3,754,831 A * 8/1973 Hutter A47L 1/16 401/139

(Continued)

FOREIGN PATENT DOCUMENTS

WO WO D095577-002 * 4/2017

OTHER PUBLICATIONS

SKT Productions iGlassClean, B&H Photo website 2020, https://www.bhphotovideo.com/c/product/1363191-REG/skt_productions_skt_glass_iglass . . . site visited Jan. 31, 2020.*

Primary Examiner — John R Yeh

(74) *Attorney, Agent, or Firm* — Lucas & Mercanti, LLP

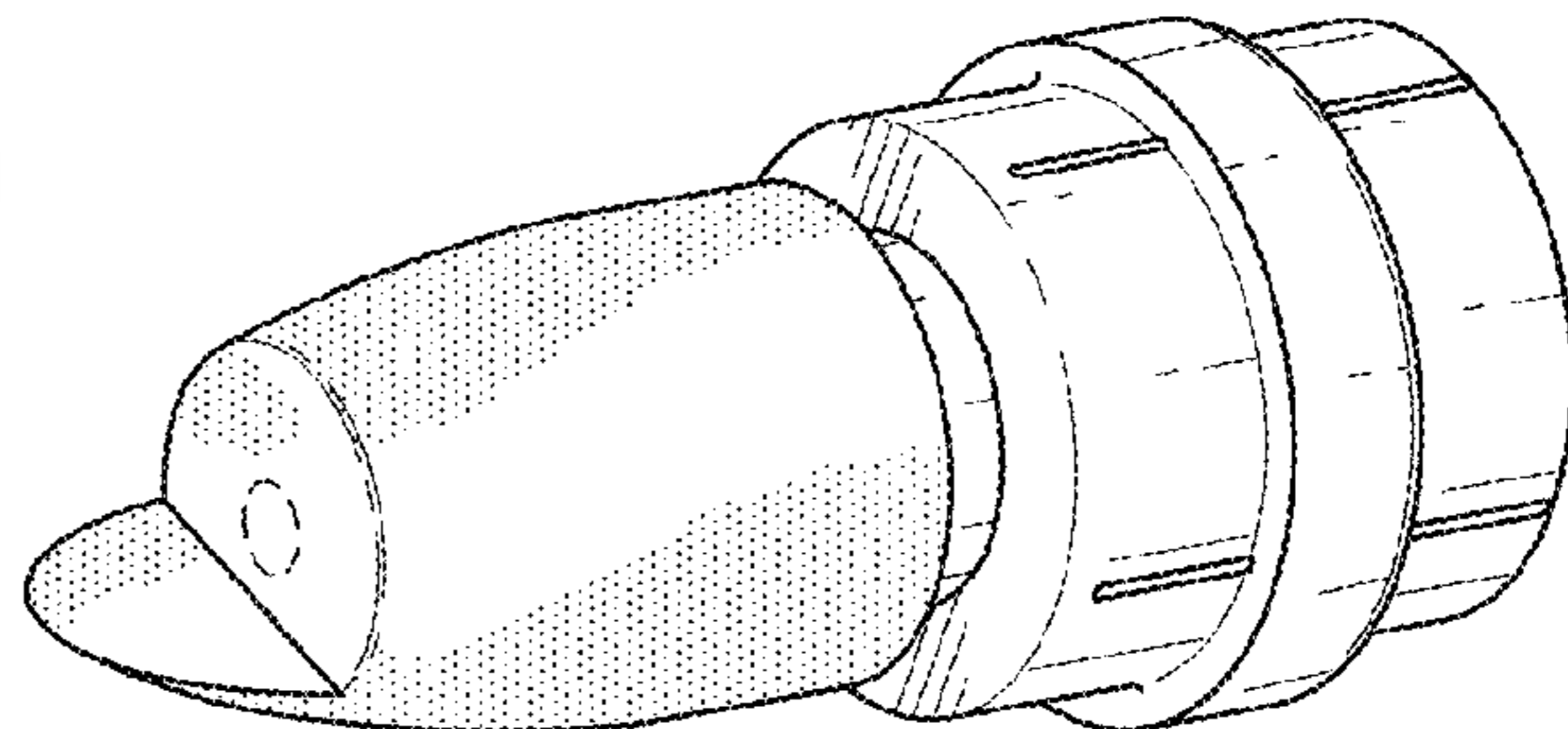
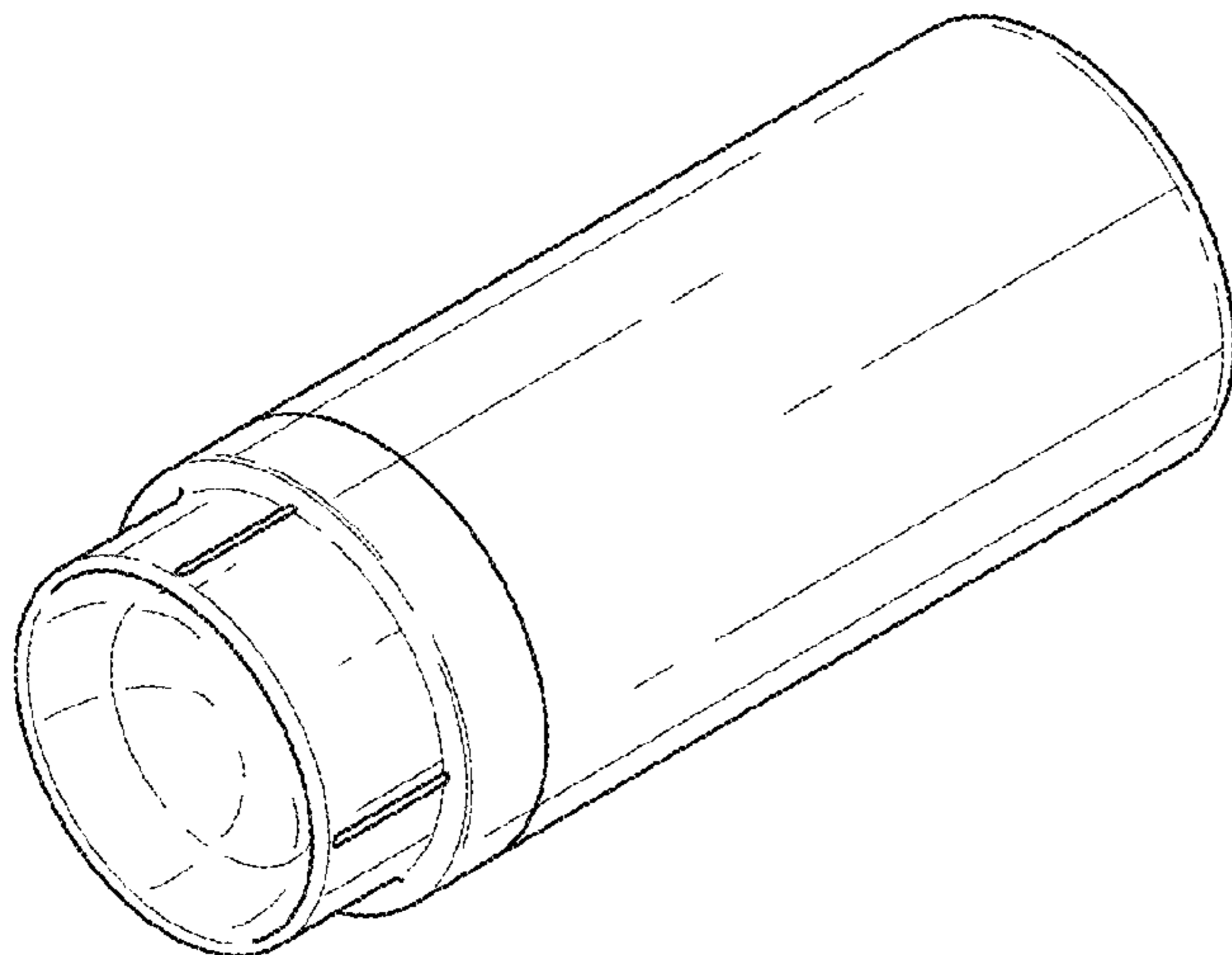
(57) **CLAIM**

The ornamental design for a cleaning apparatus, as shown and described.

DESCRIPTION

FIG. 1 is a top, front perspective view of the cleaning apparatus in a closed position;
 FIG. 2 is a front view thereof;
 FIG. 3 is a rear view thereof;
 FIG. 4 is a top view thereof;
 FIG. 5 is a bottom view thereof;
 FIG. 6 is a right side view thereof;
 FIG. 7 is a left side view thereof;
 FIG. 8 is a top, front perspective view of the cleaning apparatus of FIG. 1 with the cap portion removed;
 FIG. 9 is a bottom, rear perspective view thereof;
 FIG. 10 is a front view thereof;
 FIG. 11 is a rear view thereof;
 FIG. 12 is a top view thereof;
 FIG. 13 is a bottom view thereof;
 FIG. 14 is a right side view thereof;
 FIG. 15 is a left side view thereof;
 FIG. 16 is a top, front perspective view of the cleaning apparatus of FIG. 1 with the cap portion placed on the base portion in a use position;
 FIG. 17 is a front view thereof;
 FIG. 18 is a rear view thereof;
 FIG. 19 is a top view thereof;
 FIG. 20 is a bottom view thereof;
 FIG. 21 is a right side view thereof; and,
 FIG. 22 is a left side view thereof.

1 Claim, 6 Drawing Sheets



(56)

References Cited

U.S. PATENT DOCUMENTS

4,667,851 A * 5/1987 Wilkerson F41H 9/10
222/175
D335,451 S * 5/1993 Schmidt D9/502
D352,142 S * 11/1994 Fahy D32/42
D399,420 S * 10/1998 Holliday D9/718
D464,564 S * 10/2002 Wilson D9/556
D533,044 S * 12/2006 Buening D8/103
D666,733 S * 9/2012 Caggiano D24/215
D686,367 S * 7/2013 Ruiz, Sr. D28/7
D700,018 S * 2/2014 Thrash D7/608
D722,126 S * 2/2015 Bray D22/115
D786,679 S * 5/2017 Barroso Miana D9/504
D833,885 S * 11/2018 Montileone D9/692
10,154,773 B1 * 12/2018 Pham A47L 25/005
D847,423 S * 4/2019 Tappenden D28/18
D848,695 S * 5/2019 Tornaben D32/42
2013/0058701 A1 * 3/2013 Chan A45D 40/22
401/59

* cited by examiner

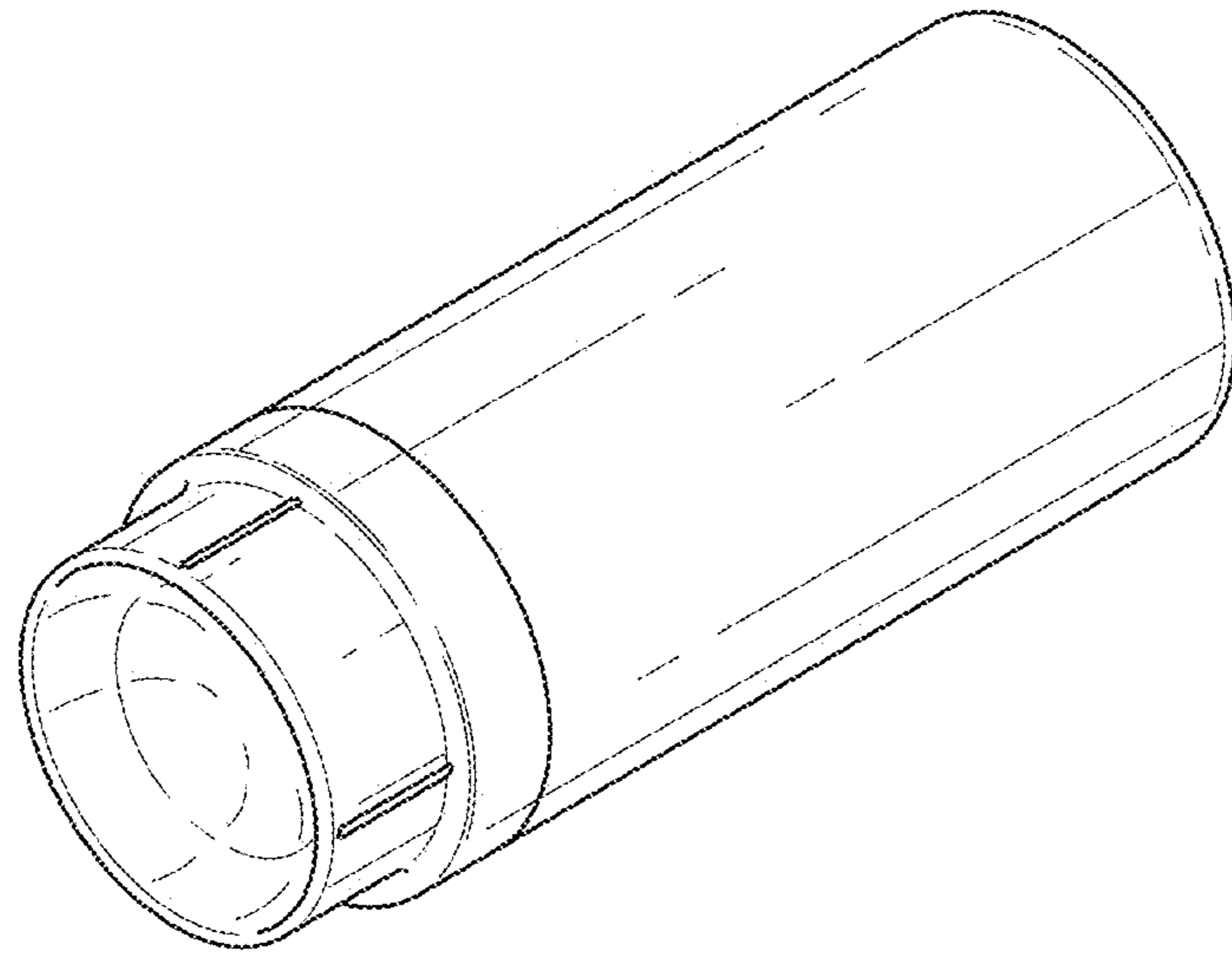


FIG. 1

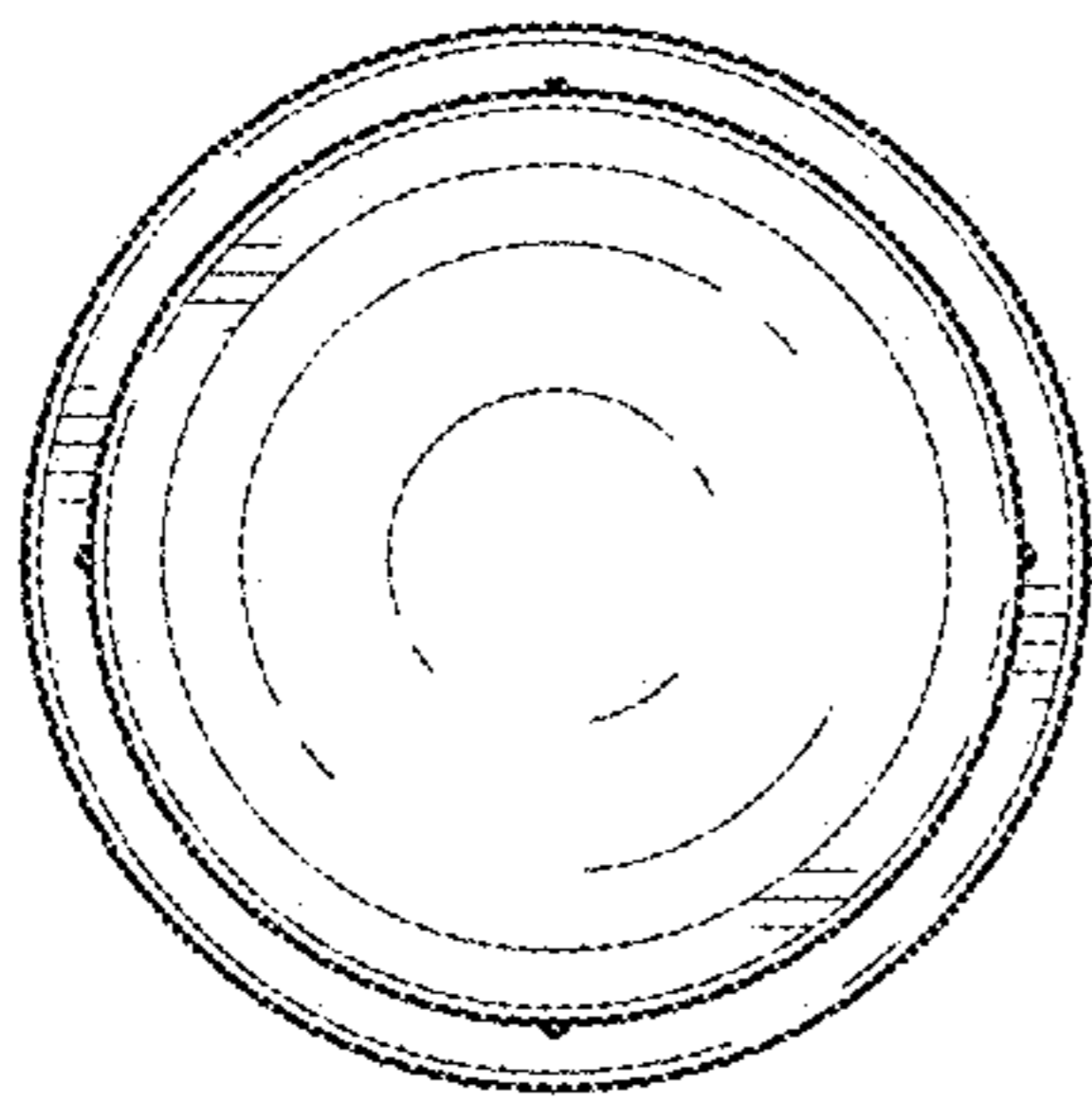


FIG. 2

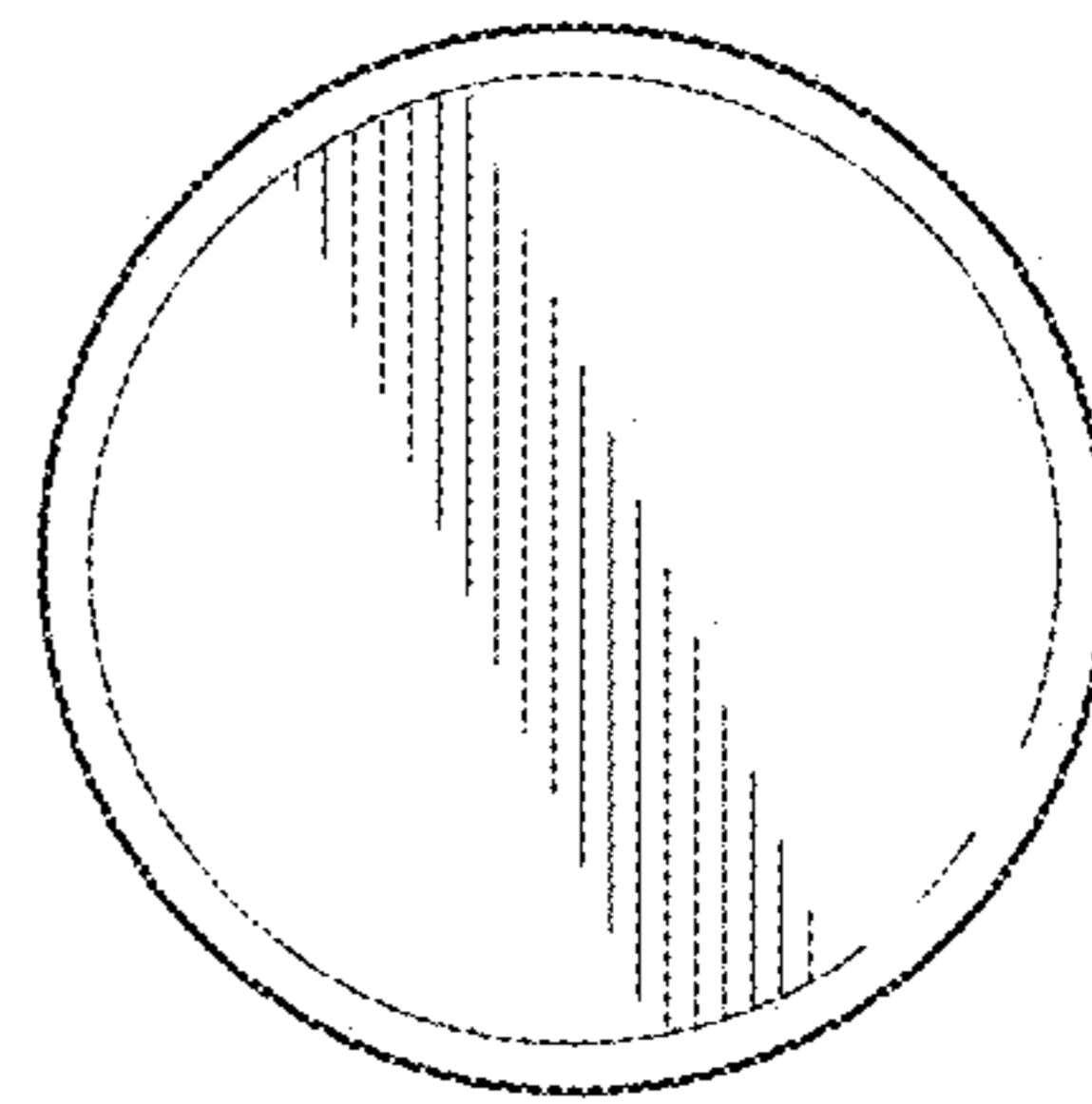


FIG. 3

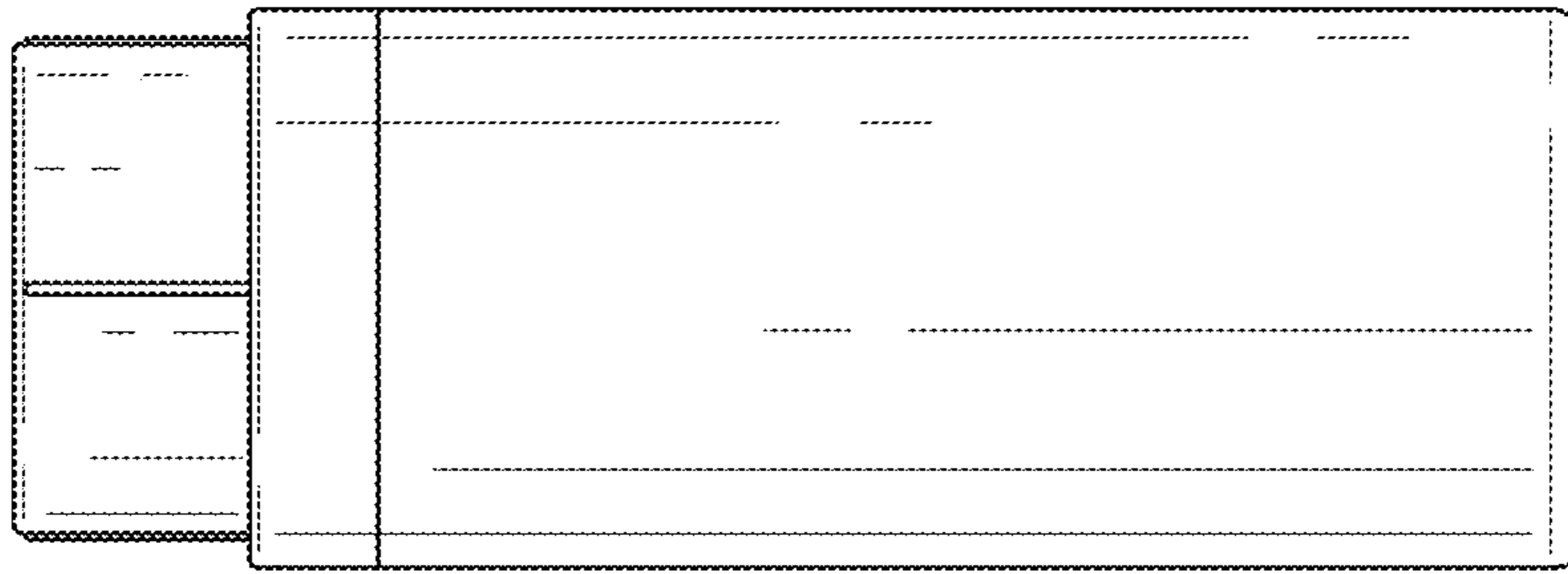


FIG. 4

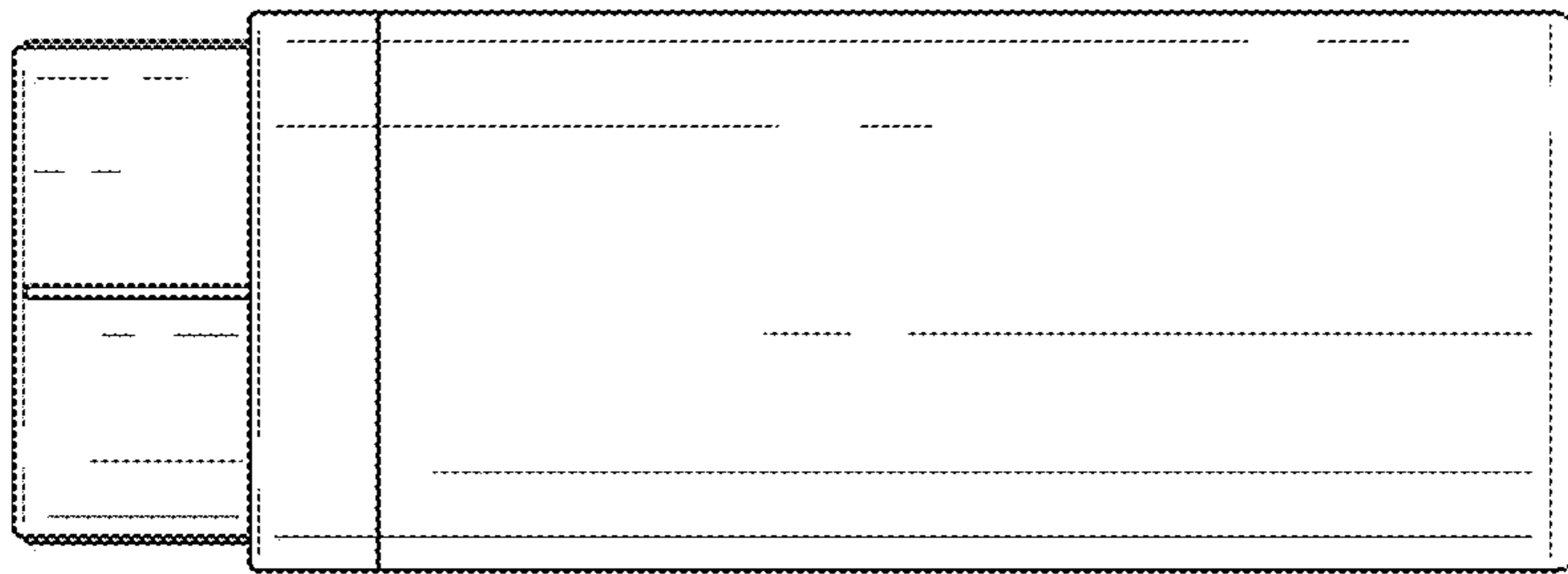


FIG. 5

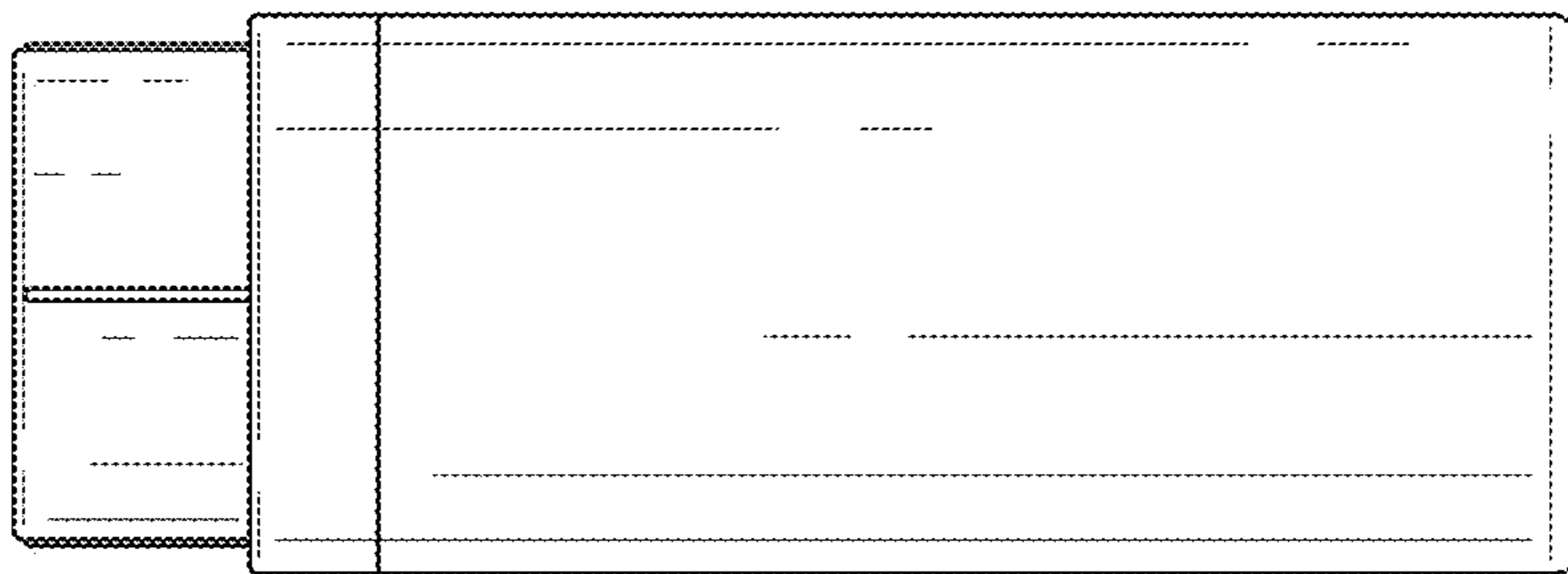


FIG. 6

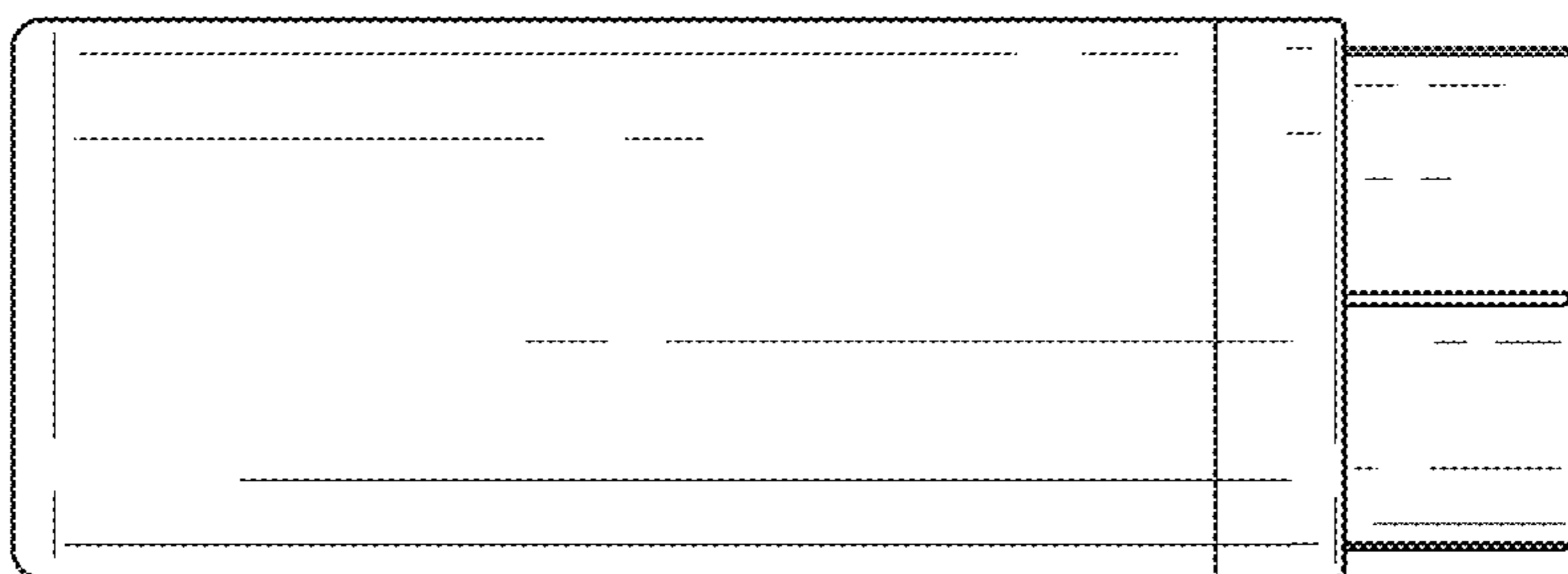


FIG. 7

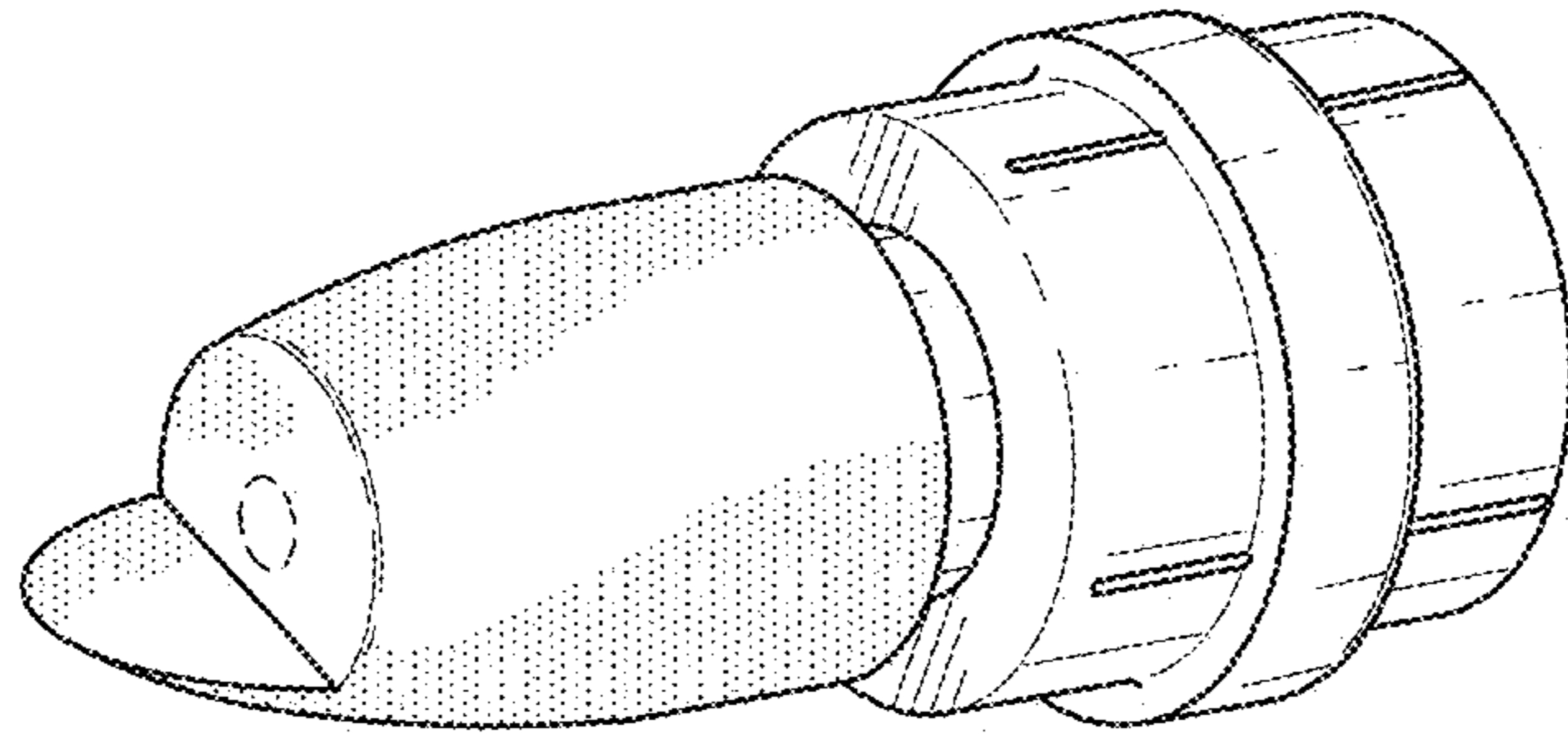


FIG. 8

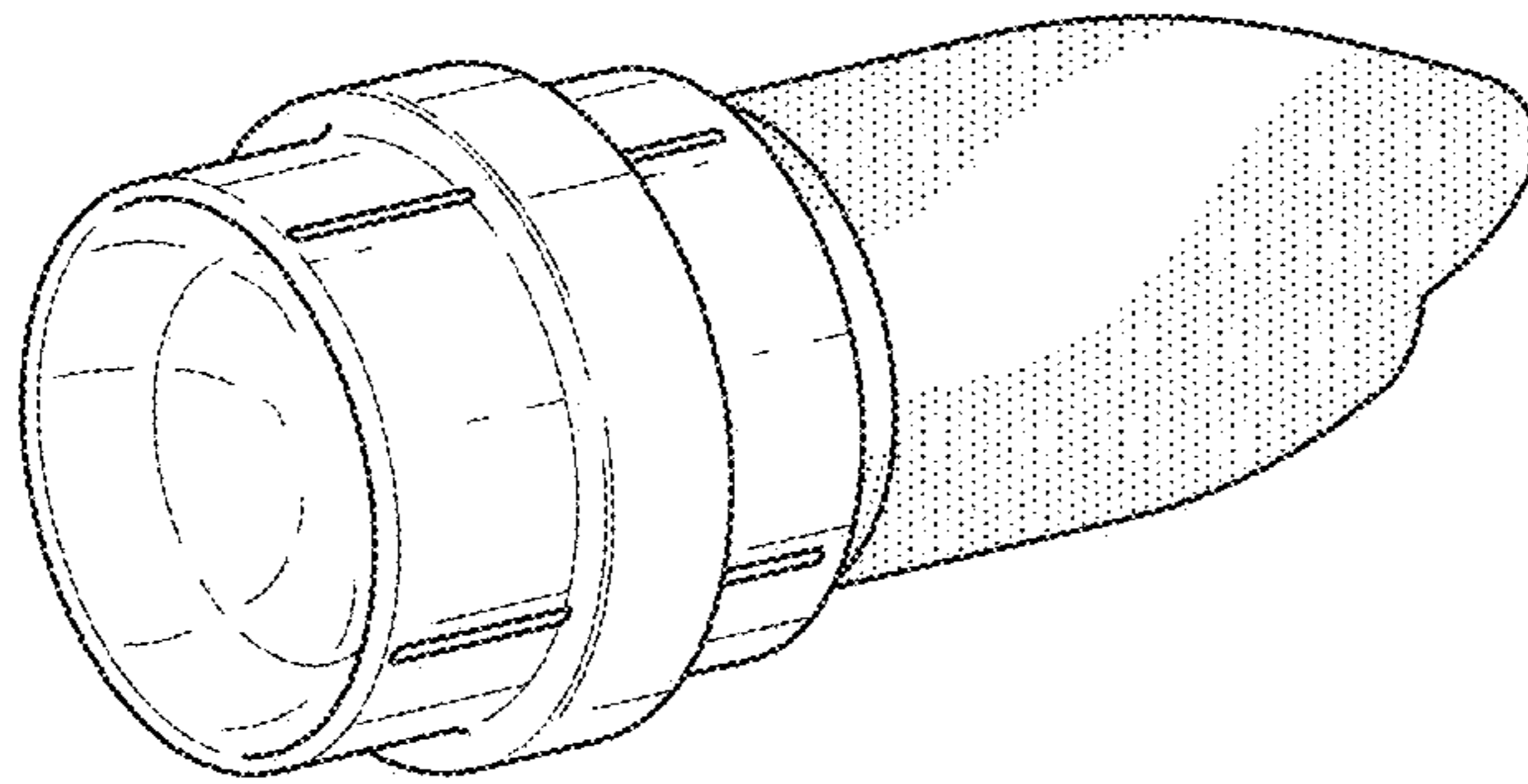


FIG. 9

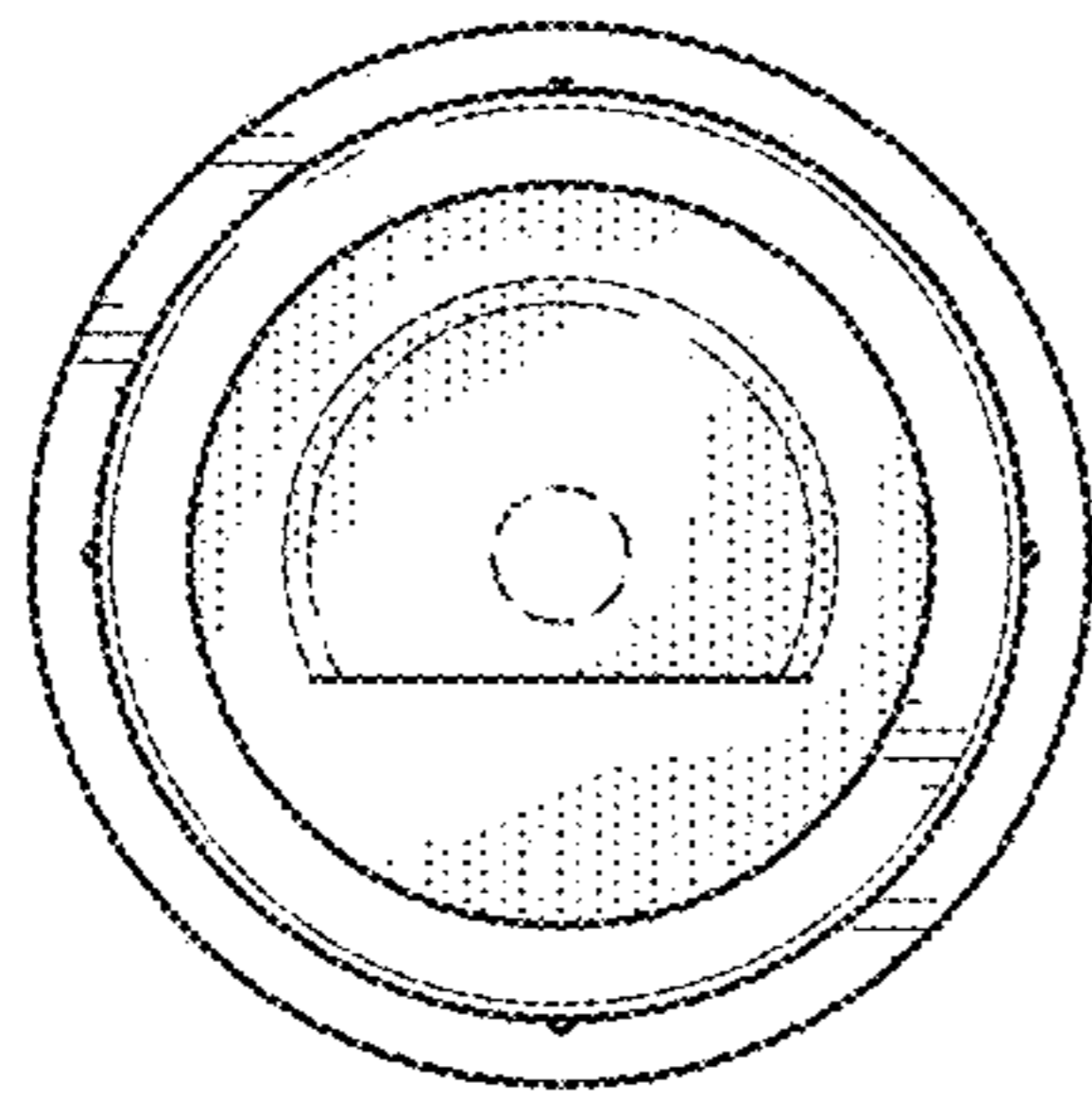


FIG. 10

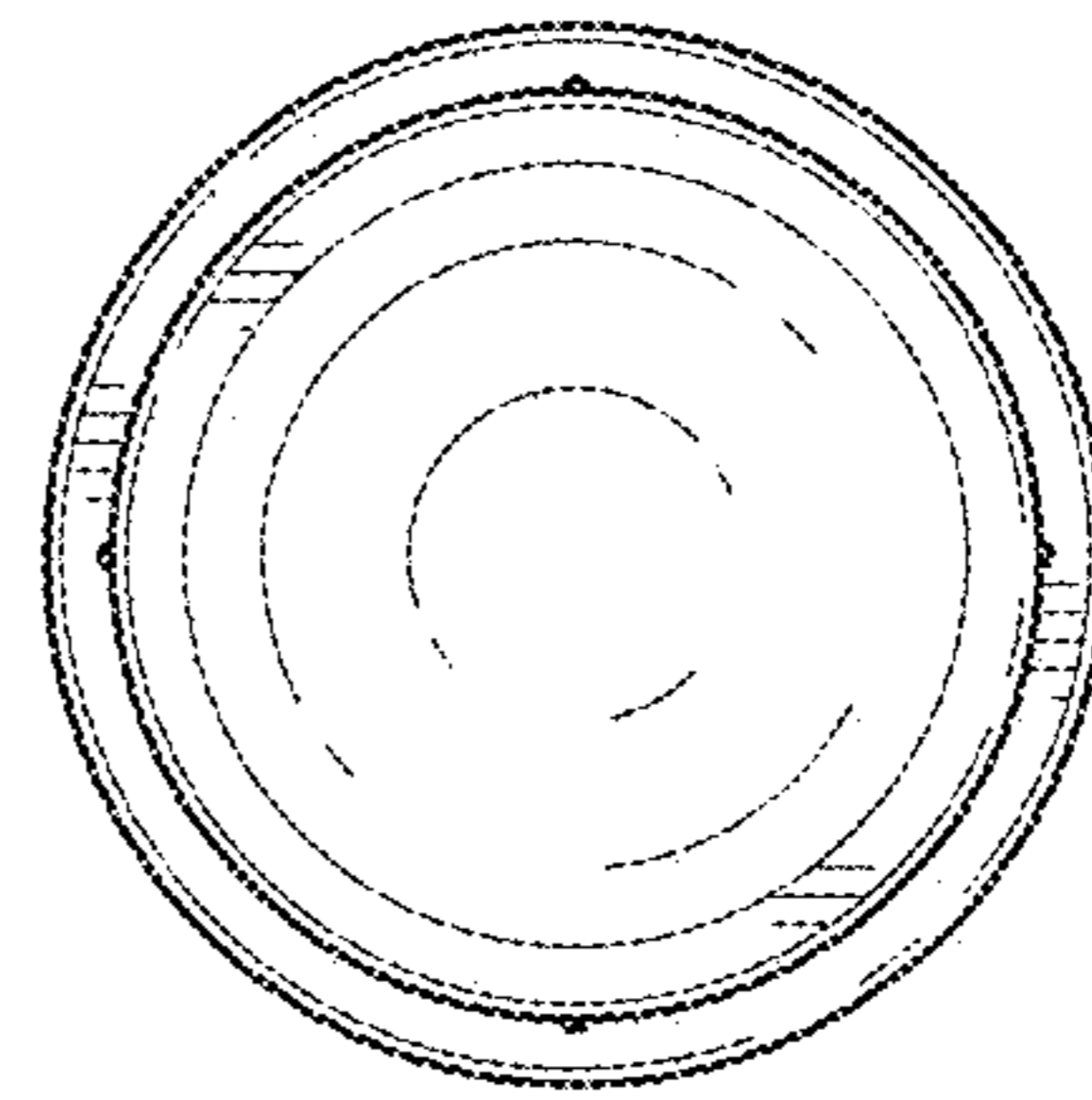


FIG. 11

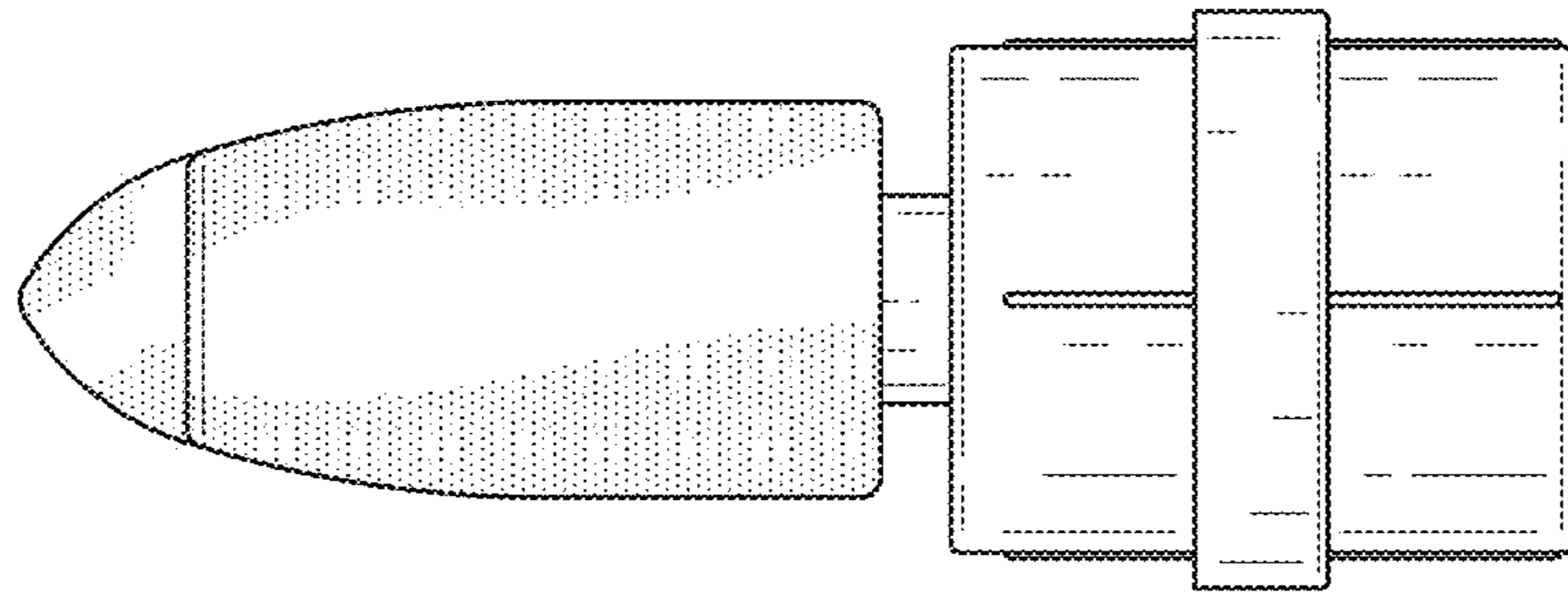


FIG. 12

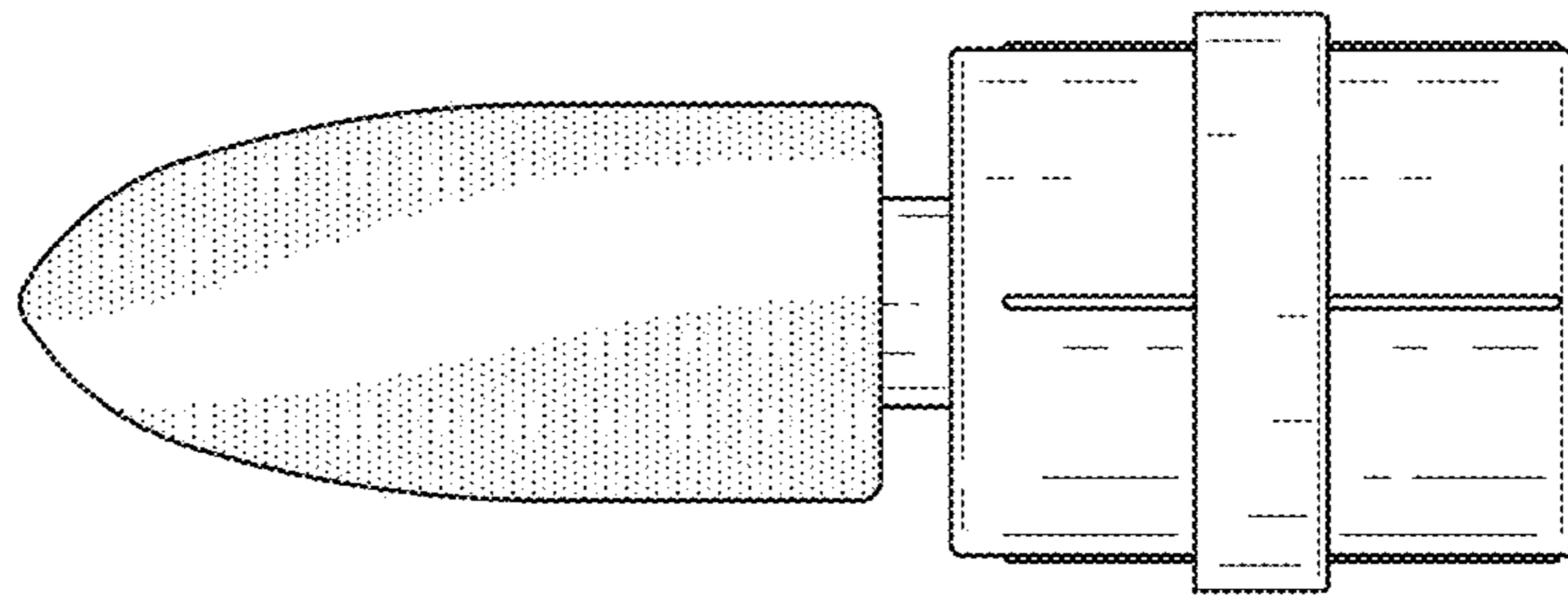


FIG. 13

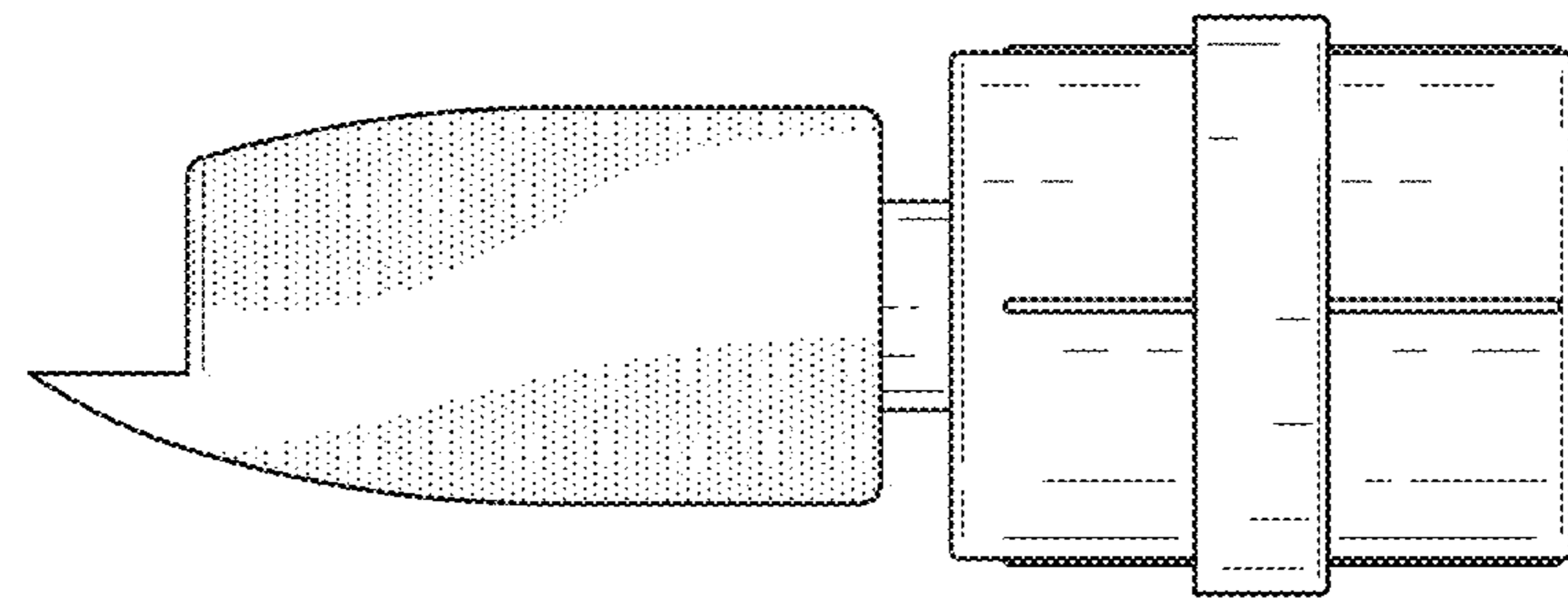


FIG. 14

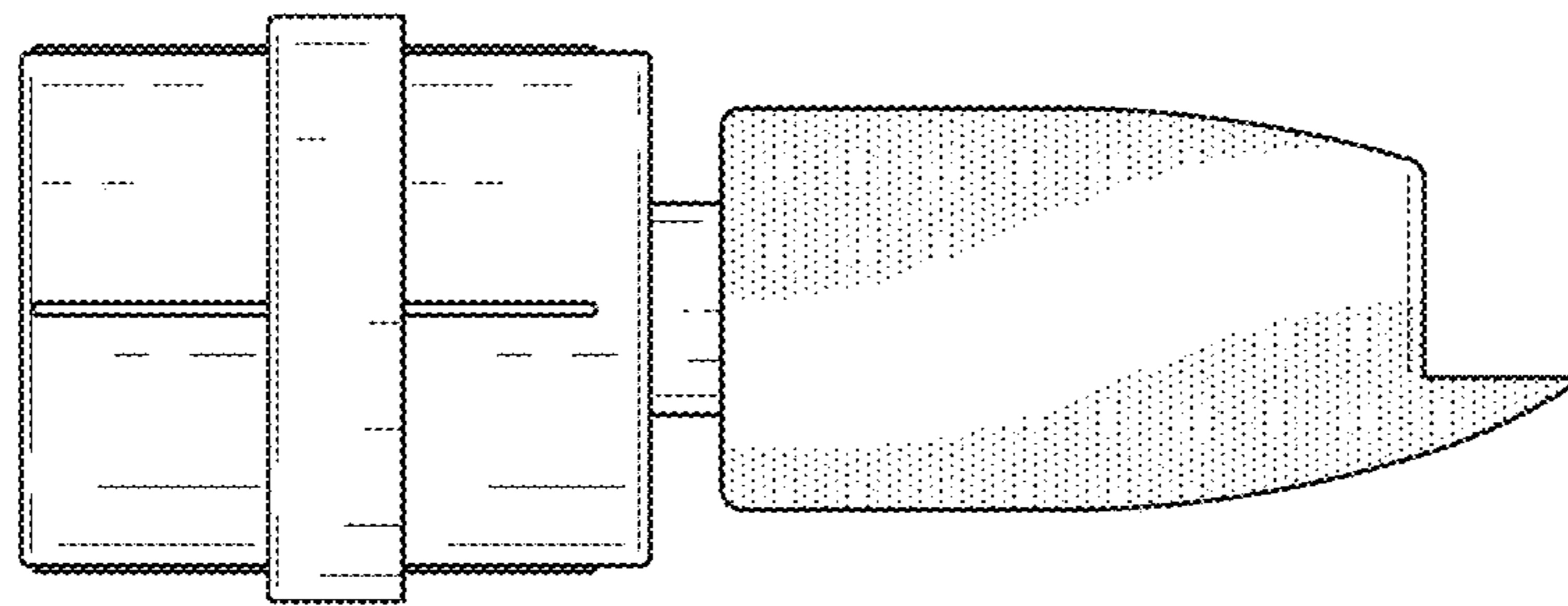


FIG. 15

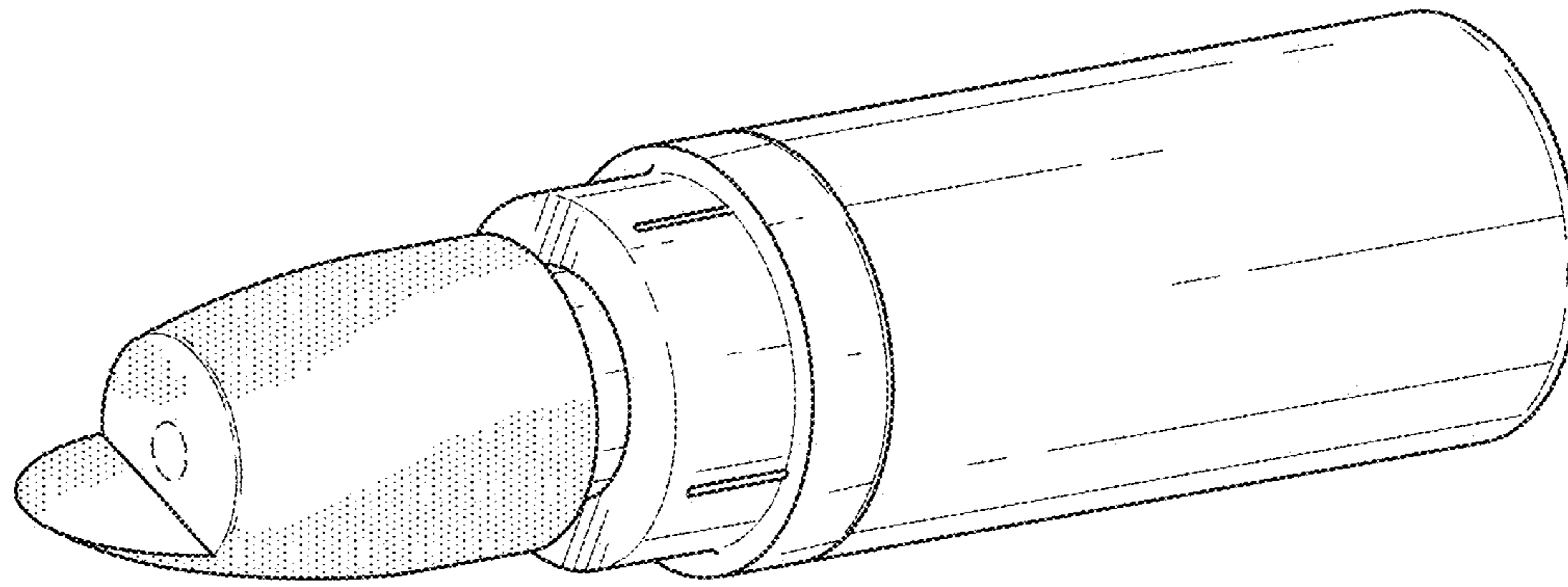


FIG. 16

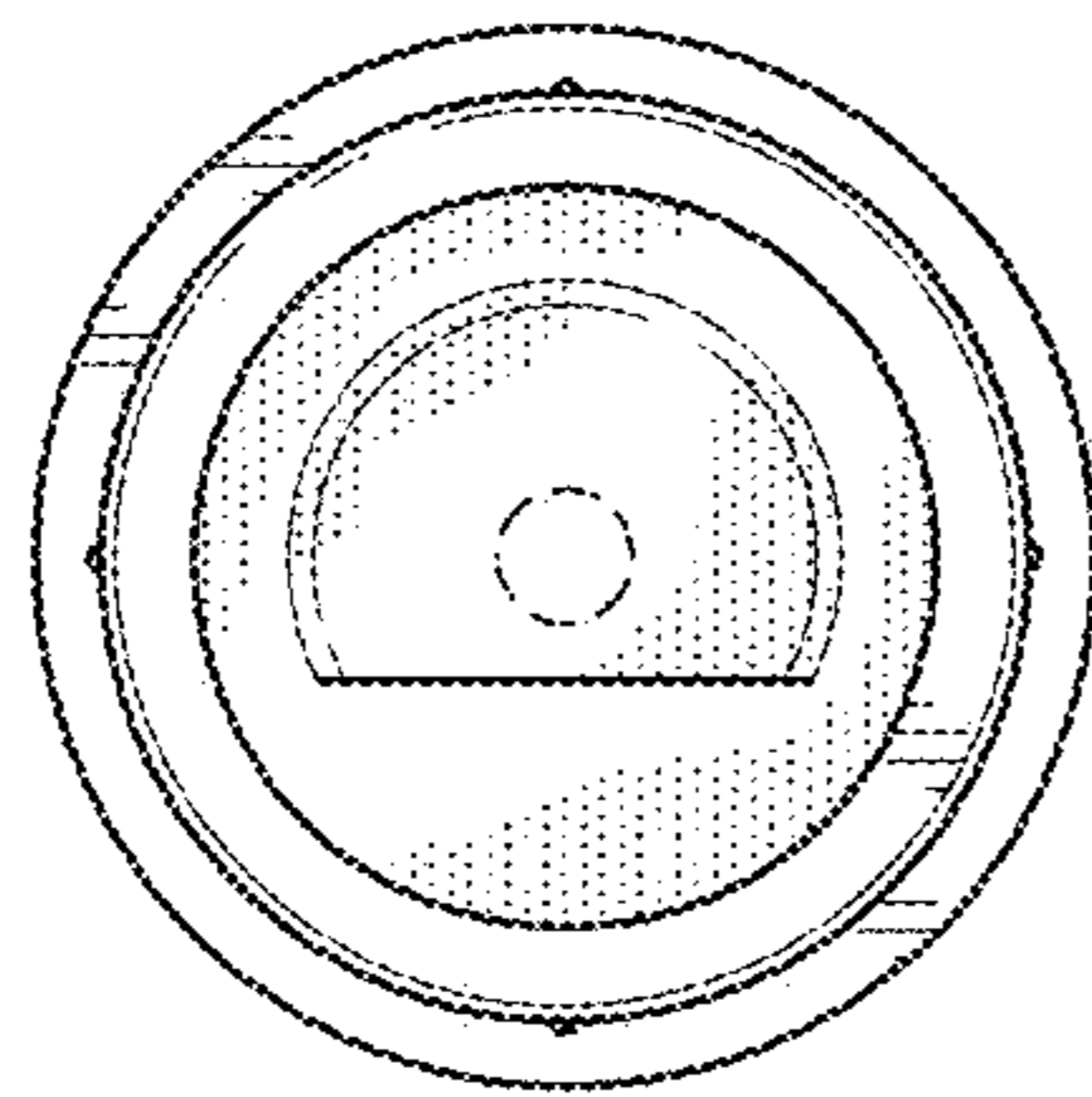


FIG. 17

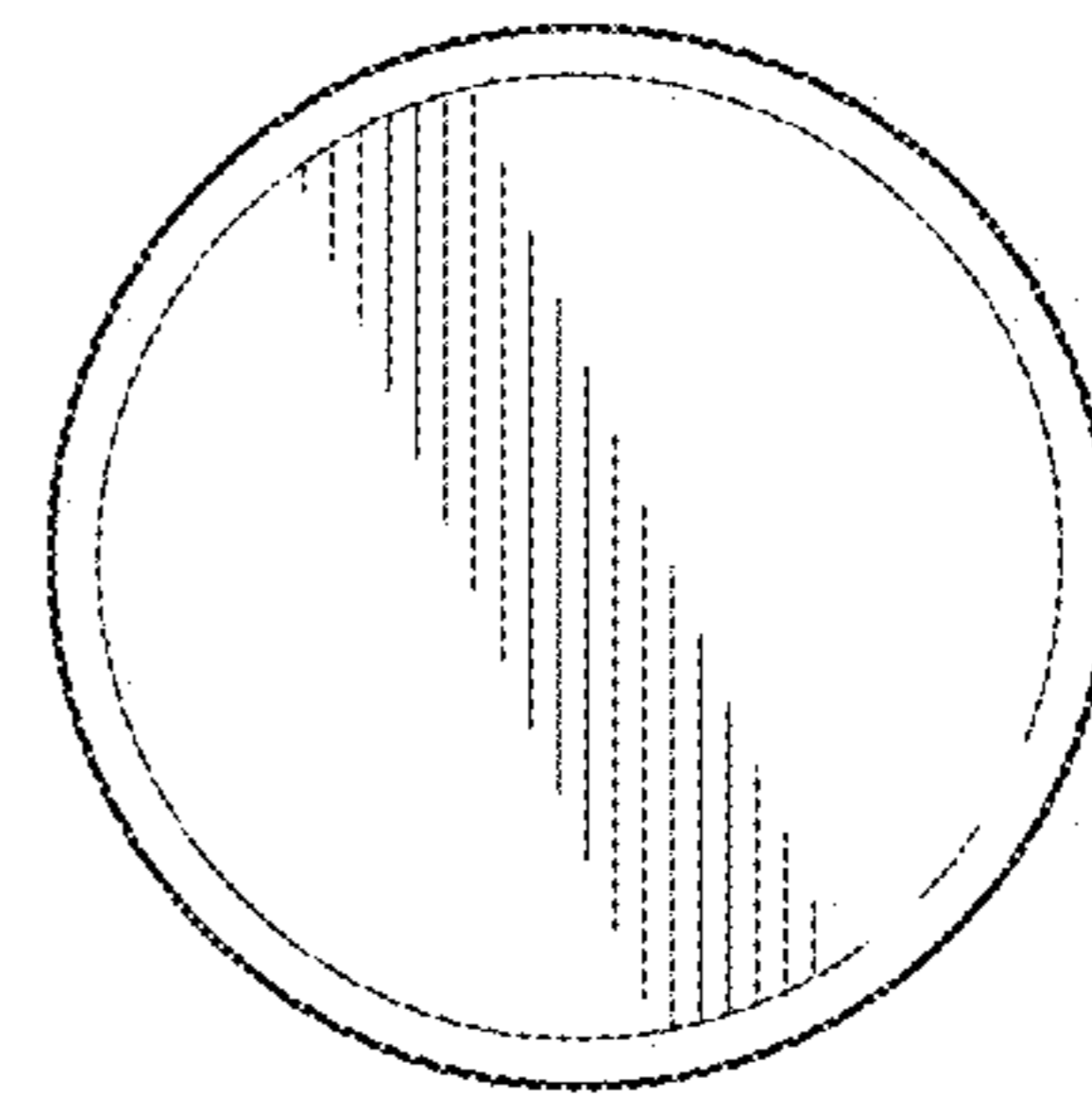


FIG. 18

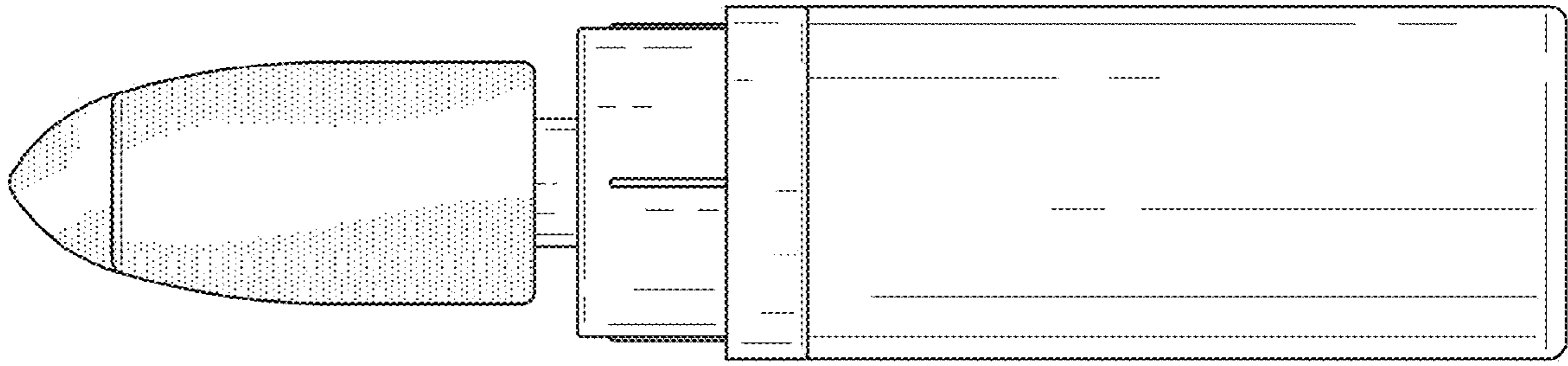


FIG. 19

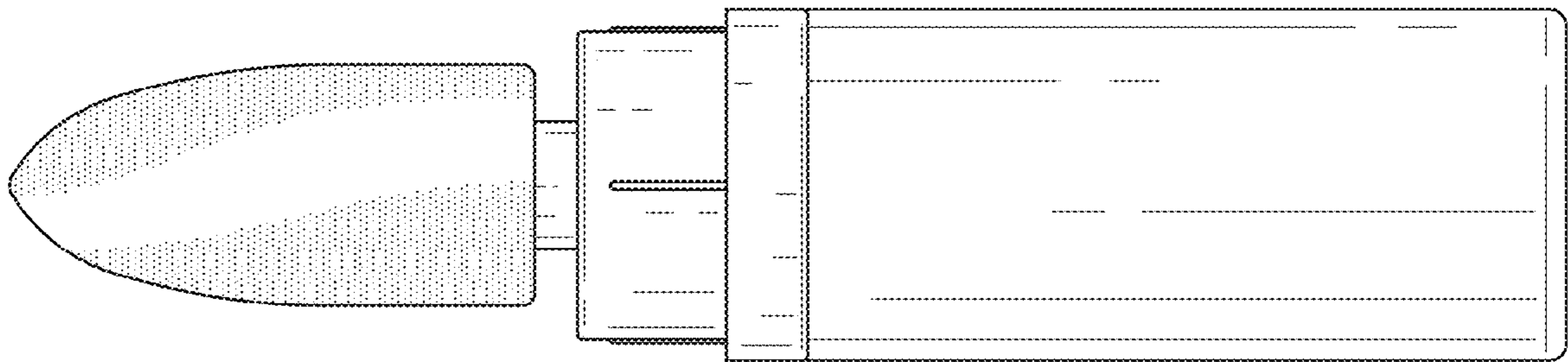


FIG. 20

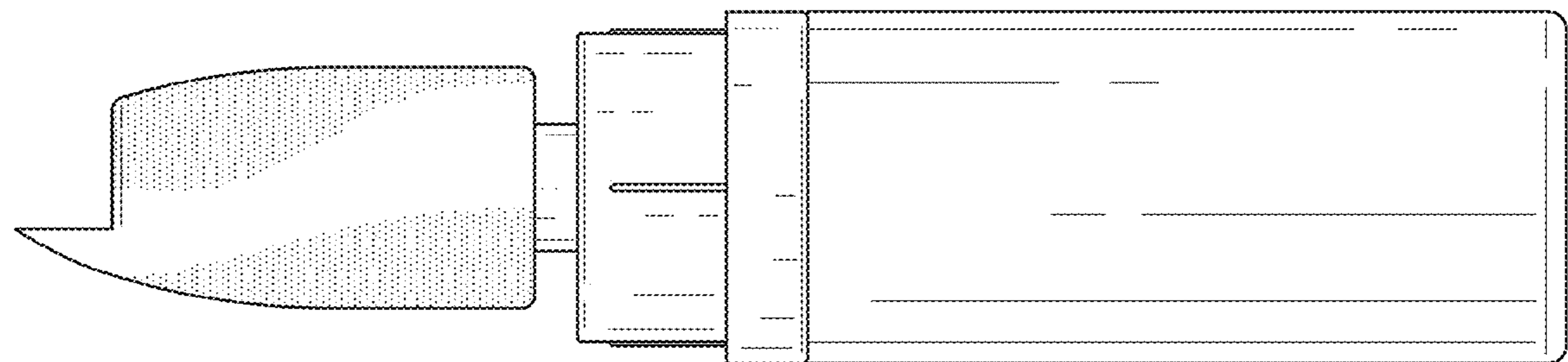


FIG. 21

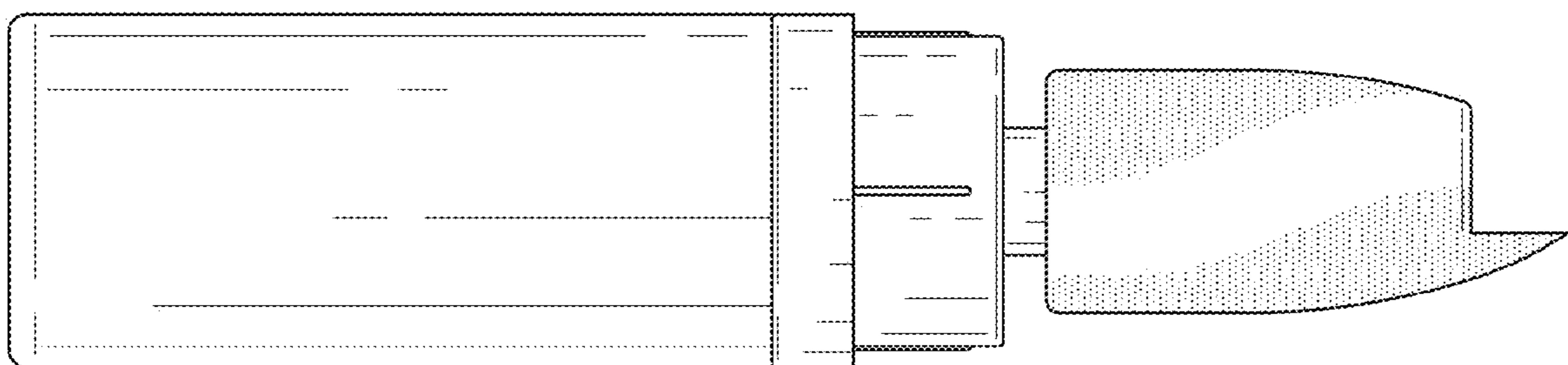


FIG. 22