



US00D901799S

(12) **United States Design Patent** (10) **Patent No.:** **US D901,799 S**
Stariha et al. (45) **Date of Patent:** **** Nov. 10, 2020**

(54) **FRAME FOR A PRESSURE WASHER**

D465,624 S * 11/2002 Kolicheski D32/25
D467,692 S * 12/2002 Morgan D32/15
6,935,642 B1 8/2005 Craig et al.

(71) Applicant: **Kärcher North America, Inc.**, Denver, CO (US)

(Continued)

(72) Inventors: **Patrick Stariha**, Lakewood, CO (US);
Javier Garza, San Nicolas de los Garza (MX); **Marcos Moreno**, San Nicolas de los Garza (MX); **Roland Michael Meyer**, Schwaikheim (DE)

FOREIGN PATENT DOCUMENTS

CA 2352902 1/2002
CN 2880608 3/2007

(Continued)

(73) Assignee: **Kärcher North America, Inc.**, Denver, CO (US)

OTHER PUBLICATIONS

Karcher Pressure Washer | K 2400 HH | eReplacementParts.com, https://www.ereplacementparts.com/karcher-2400-11943010-pressure-washer-parts-c-33388_33389_33656.html, site visited Mar. 15, 2020.*

(Continued)

(**) Term: **15 Years**

Primary Examiner — John R Yeh

(21) Appl. No.: **29/681,236**

(74) Attorney, Agent, or Firm — Sheridan Ross PC

(22) Filed: **Feb. 22, 2019**

(51) **LOC (12) Cl.** **15-05**

(52) **U.S. Cl.** **D32/25**
USPC

(58) **Field of Classification Search**
USPC D32/2-3, 6, 8, 15-17, 25, 29.1, 30-35, D32/39, 54-56, 58; D6/705.5-705.6, D6/566, 675.2, 514
CPC A47L 15/42; A47L 15/48; A47L 15/14; A47L 15/23; D06F 87/00; B08B 3/12; A46B 15/00; A47B 55/02

See application file for complete search history.

(57) **CLAIM**

The ornamental design for a frame for a pressure washer, as shown and described.

DESCRIPTION

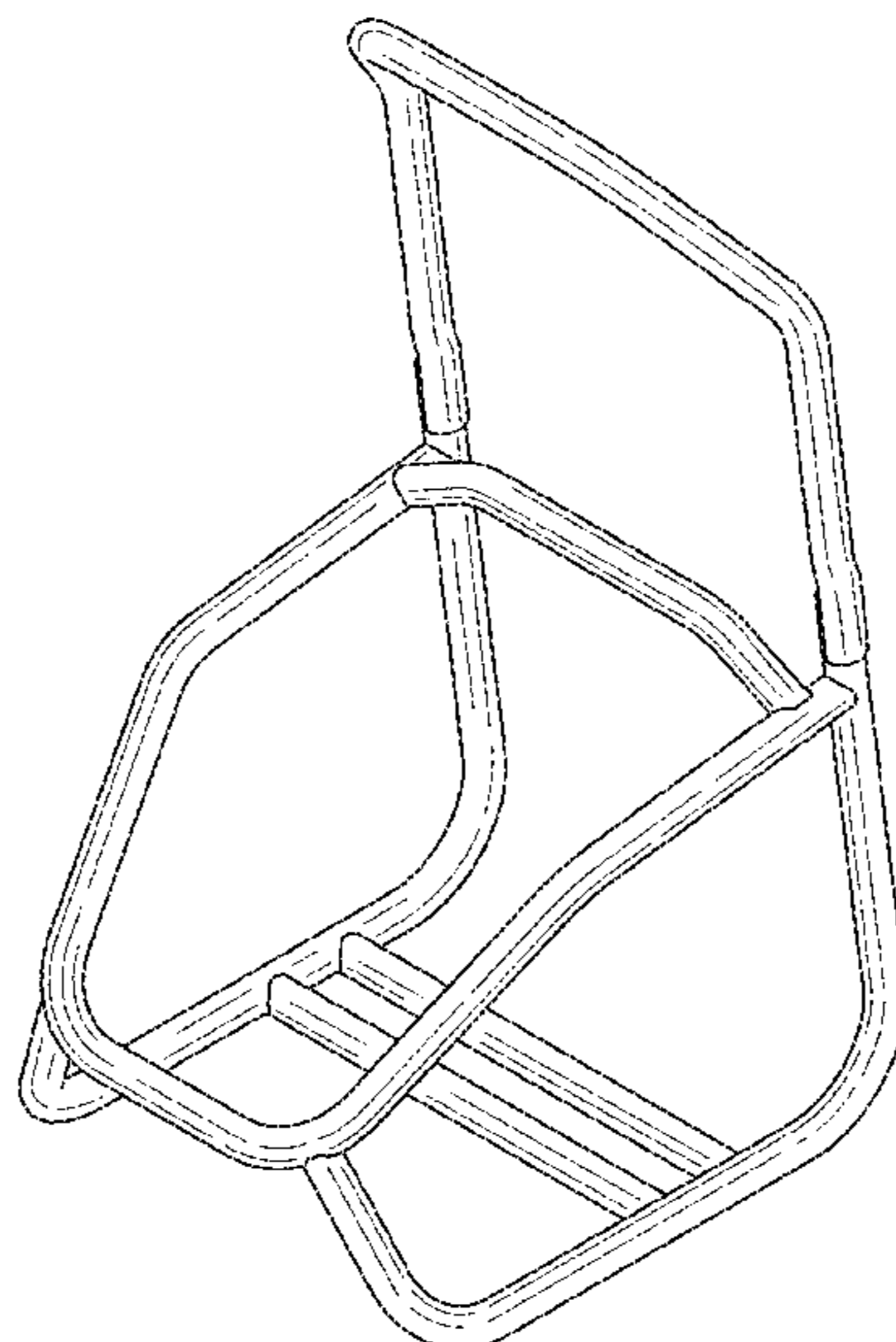
FIG. 1 is a front perspective view of the frame for a pressure washer;
FIG. 2 is a front elevation view thereof;
FIG. 3 is a rear elevation view thereof;
FIG. 4 is a right elevation view thereof;
FIG. 5 is a left elevation view thereof;
FIG. 6 is a top plan view thereof;
FIG. 7 is a bottom plan view thereof; and,
FIG. 8 is a perspective view thereof with pressure washer components provided in combination with the frame for illustrative purposes.
The dotted lines showing portions of a pressure washer and frame are provided for the purpose of illustrating environment and form no part of the claimed design.

(56) **References Cited**

U.S. PATENT DOCUMENTS

3,940,065 A * 2/1976 Ware B05B 5/085 239/146
5,299,767 A * 4/1994 Simpson B05B 15/00 239/175
D375,590 S * 11/1996 Steinhart D32/15
D378,037 S * 2/1997 Dunlap D6/514
D414,968 S * 10/1999 Thurston-Chartraw D6/514
D463,888 S * 10/2002 Rehkugler B08B 3/026 D32/1

1 Claim, 7 Drawing Sheets



(56)

References Cited

U.S. PATENT DOCUMENTS

D542,065 S * 5/2007 Snell D6/514
 D547,021 S 7/2007 Stein
 D579,612 S * 10/2008 Rutkowski D32/25
 D580,610 S * 11/2008 Hawkins D32/25
 D590,110 S * 4/2009 Hawkins D32/25
 D596,817 S * 7/2009 Glass D32/25
 D622,471 S * 8/2010 Hernandez D34/12
 D634,083 S * 3/2011 Fay D32/15
 D639,001 S 5/2011 Alexander et al.
 D648,082 S 11/2011 Alexander et al.
 8,083,497 B2 12/2011 Gilpatrick et al.
 D655,467 S * 3/2012 Hawkins D32/25
 D665,545 S 8/2012 Alexander et al.
 8,337,172 B2 12/2012 Klika et al.
 8,408,882 B2 4/2013 Klika et al.
 D688,841 S * 8/2013 Van Deursen D32/25
 D703,888 S * 4/2014 Kahan D32/16
 8,783,587 B2 7/2014 Bearup et al.
 8,794,209 B2 8/2014 Klika et al.
 D779,746 S * 2/2017 Weinberg D32/16
 D824,612 S * 7/2018 Alexander D32/16
 D824,613 S * 7/2018 Alexander D32/16
 D834,269 S * 11/2018 Masters D32/15
 D842,012 S * 3/2019 Yang D6/675.2
 D854,763 S * 7/2019 Alexander D32/24
 2002/0122730 A1 9/2002 Dexter et al.

2006/0076779 A1 4/2006 Craig et al.
 2006/0102212 A1 5/2006 Leasure et al.
 2007/0169796 A1 7/2007 Johnson et al.
 2011/0315176 A1 12/2011 Gilpatrick
 2012/0124955 A1 5/2012 Kiika et al.
 2018/0021819 A1 1/2018 Schaller et al.
 2018/0290180 A1 10/2018 Luby

FOREIGN PATENT DOCUMENTS

CN 304794963 * 8/2013
 EM 003255488-0002 7/2016
 KR 30-0694718 5/2013

OTHER PUBLICATIONS

International Search Report and Written Opinion for International (PCT) Patent Application No. PCT/US2018/26162, dated Jun. 29, 2018, 10 pages.
 International Preliminary Report on Patentability for international (PCT) Application No. PCT/US2018/26162, dated Oct. 17, 2019, 9 pages.
 Official Action for U.S. Appl. No. 15/945,977, dated Dec. 27, 2019, 9 pages.
 U.S. Appl. No. 29/707,230, filed Sep. 26, 2019, Pastor et al.

* cited by examiner

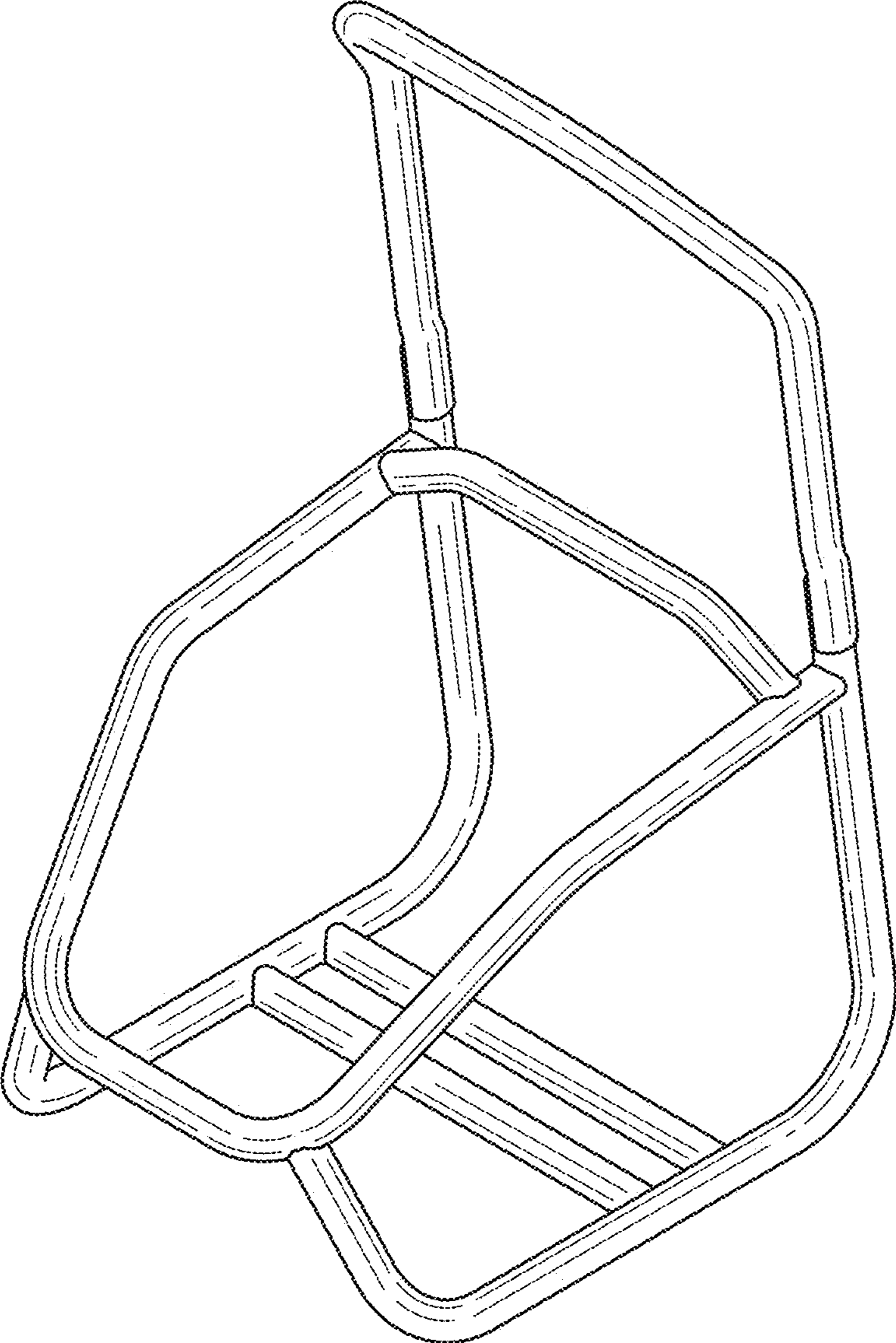


FIG.1

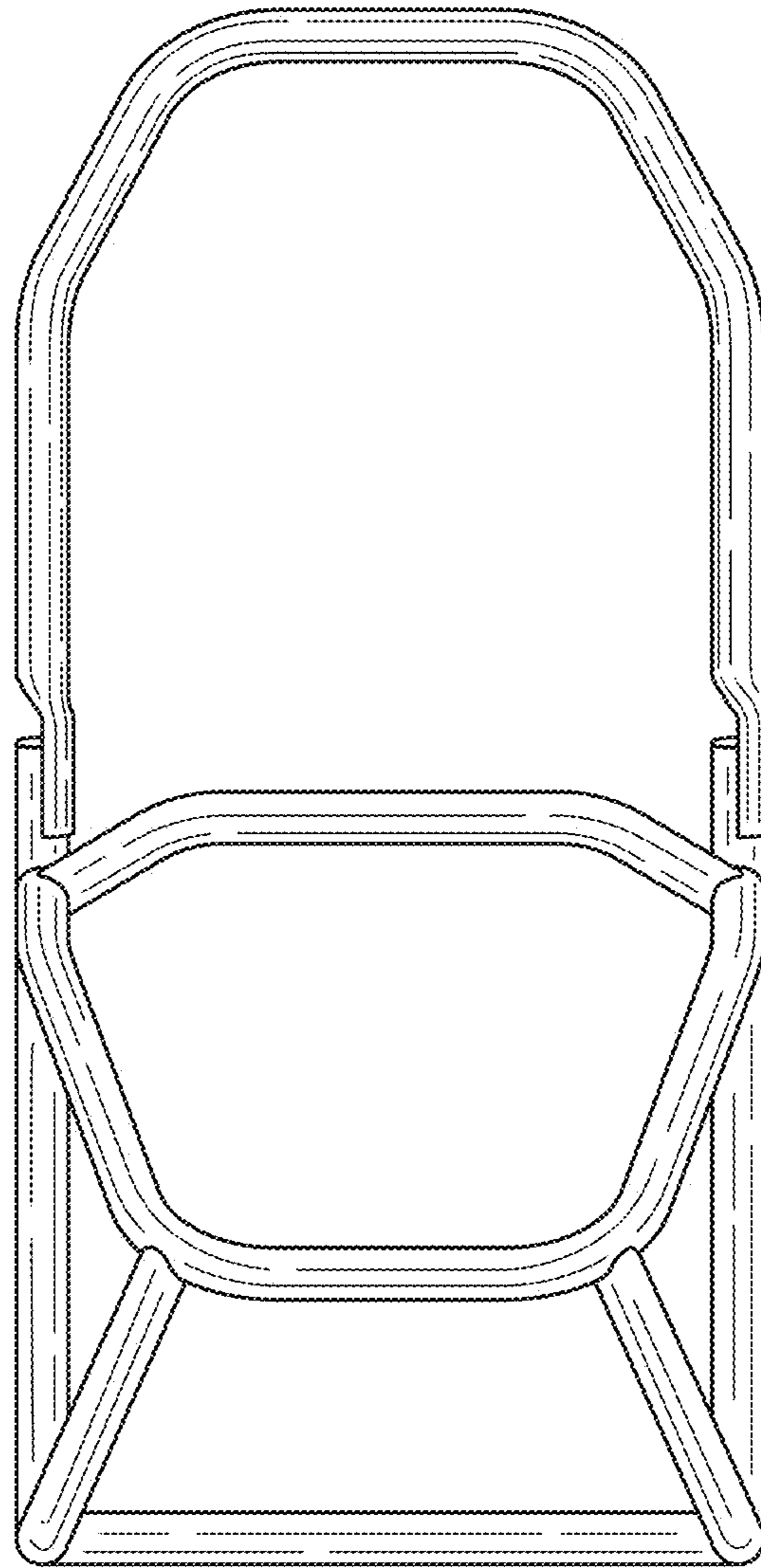


FIG. 2

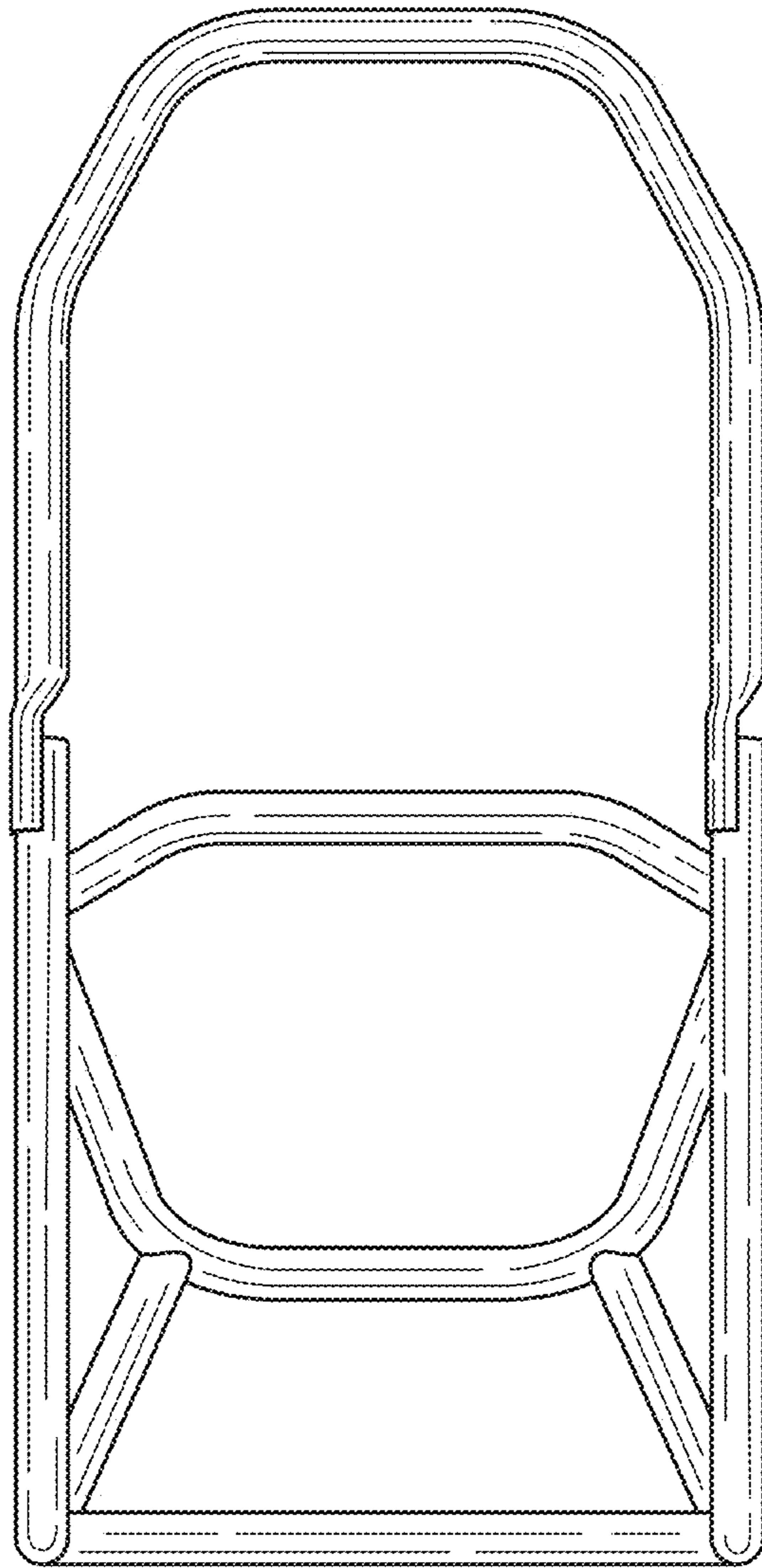


FIG.3

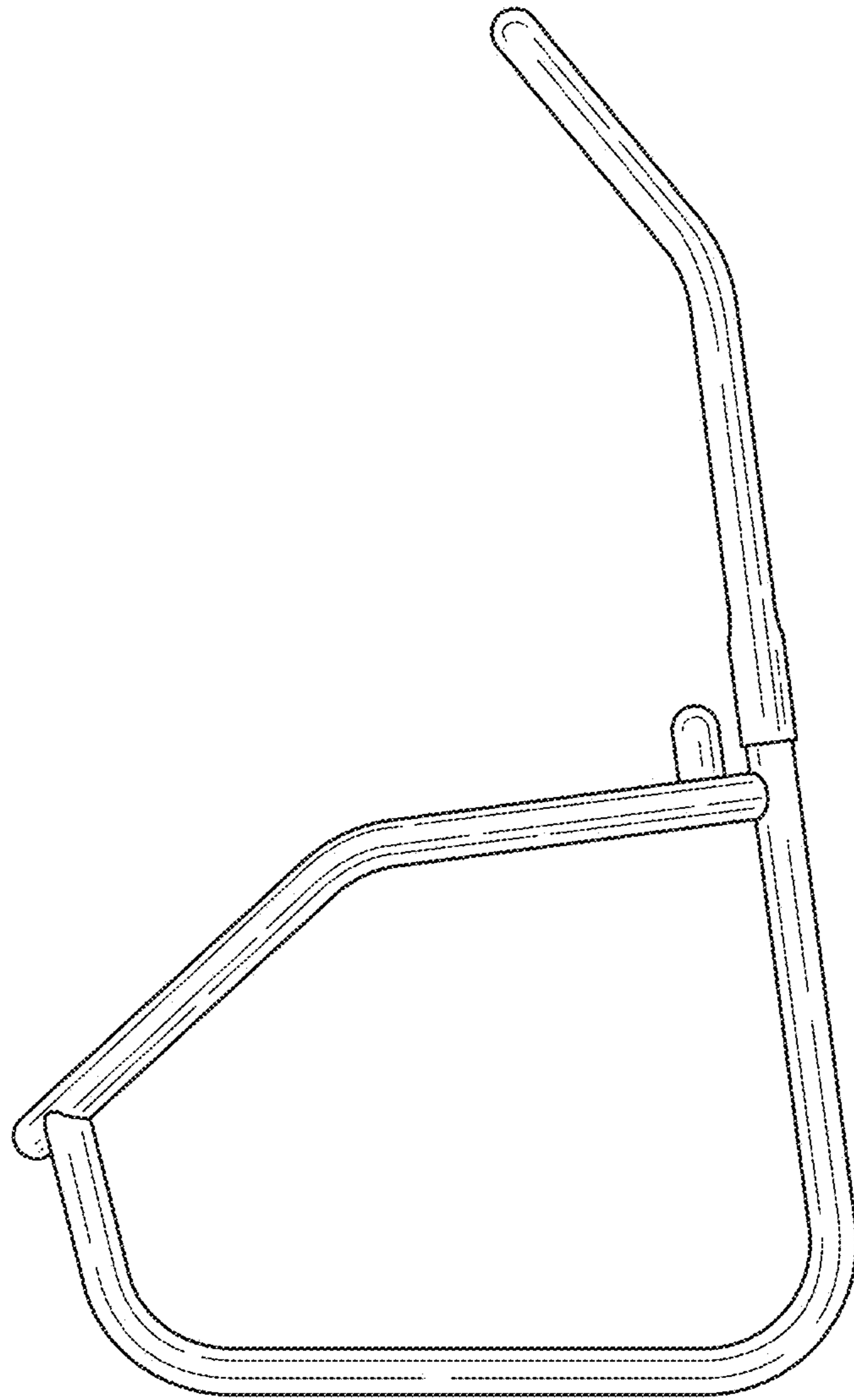


FIG.4

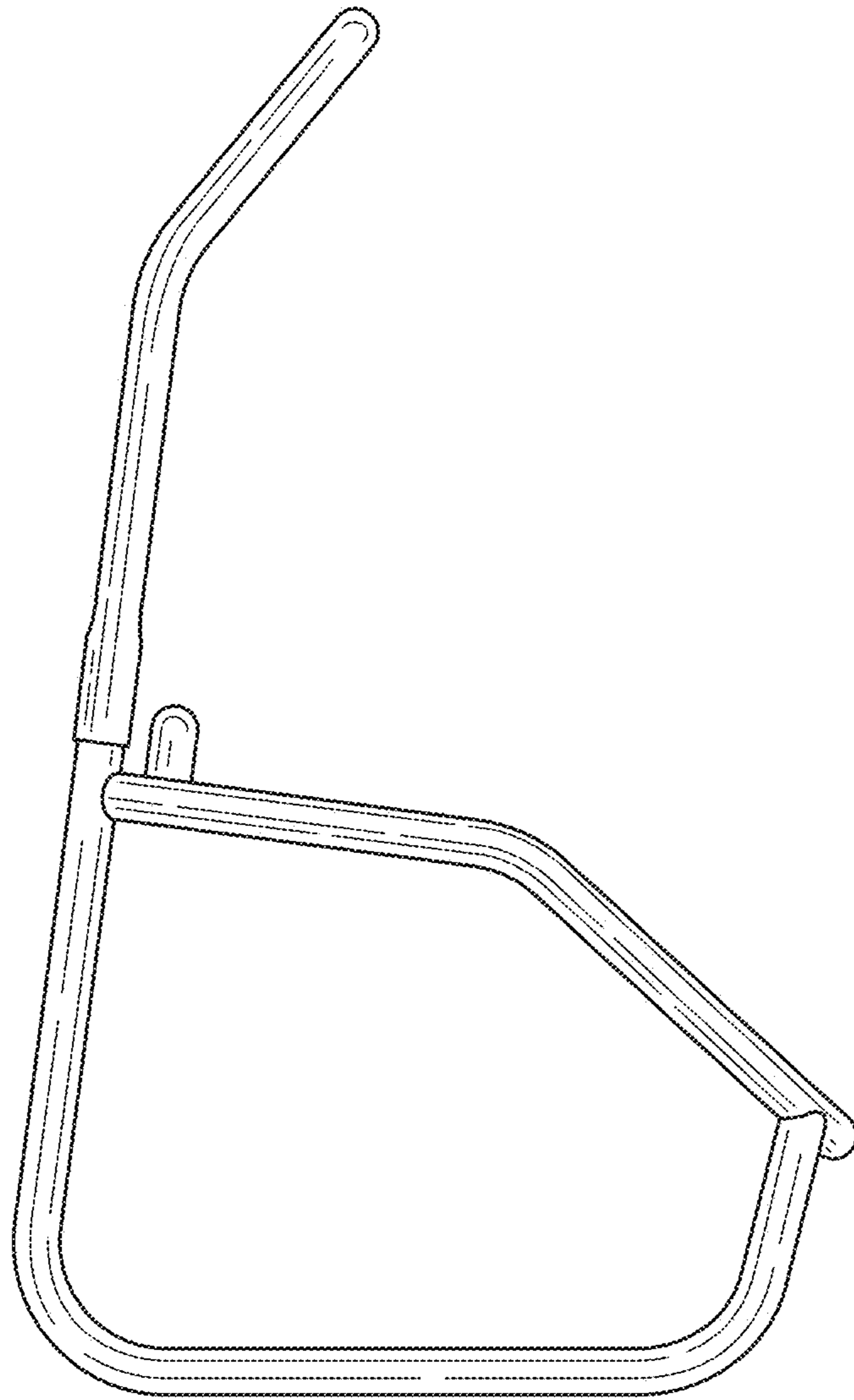


FIG.5

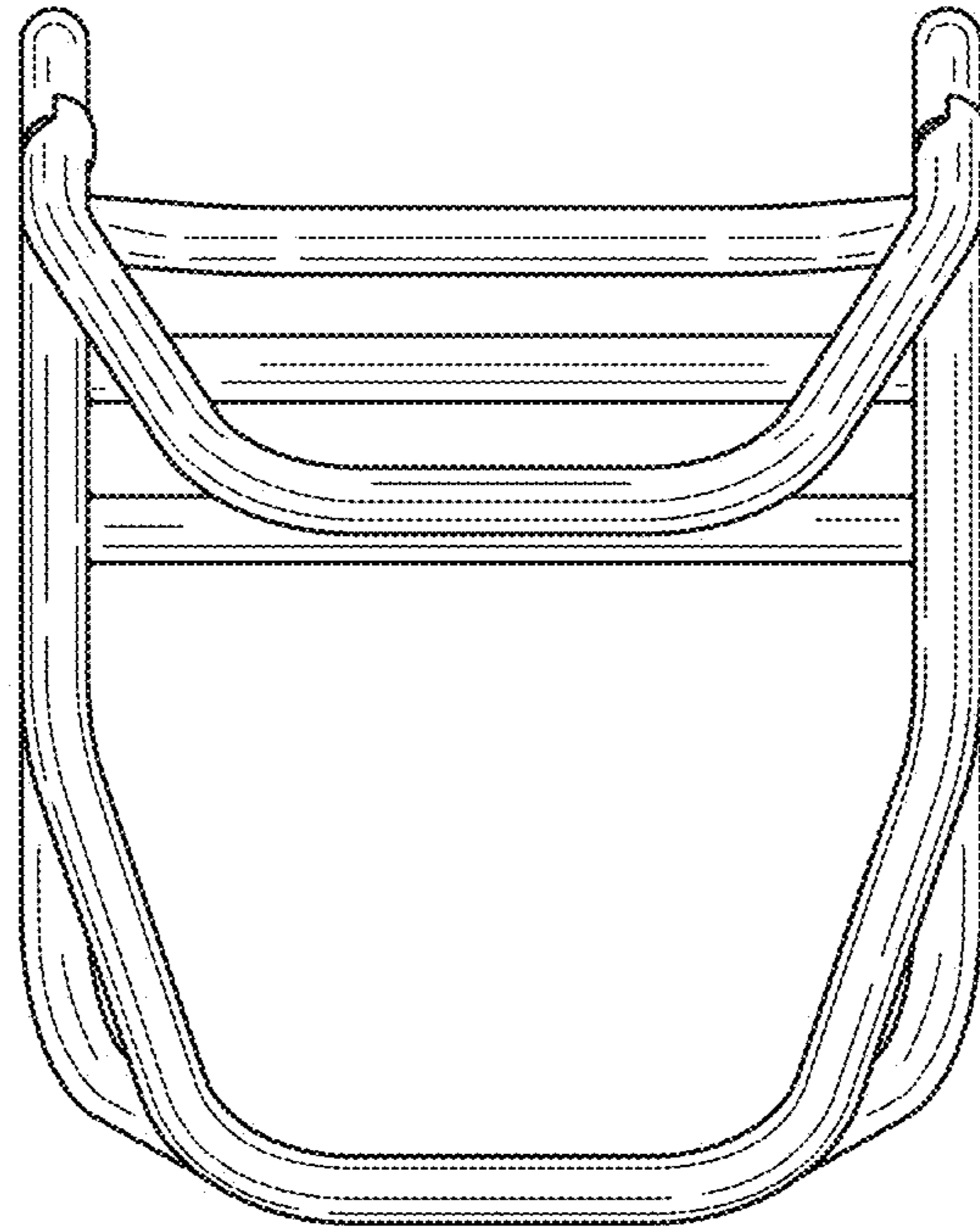


FIG. 6

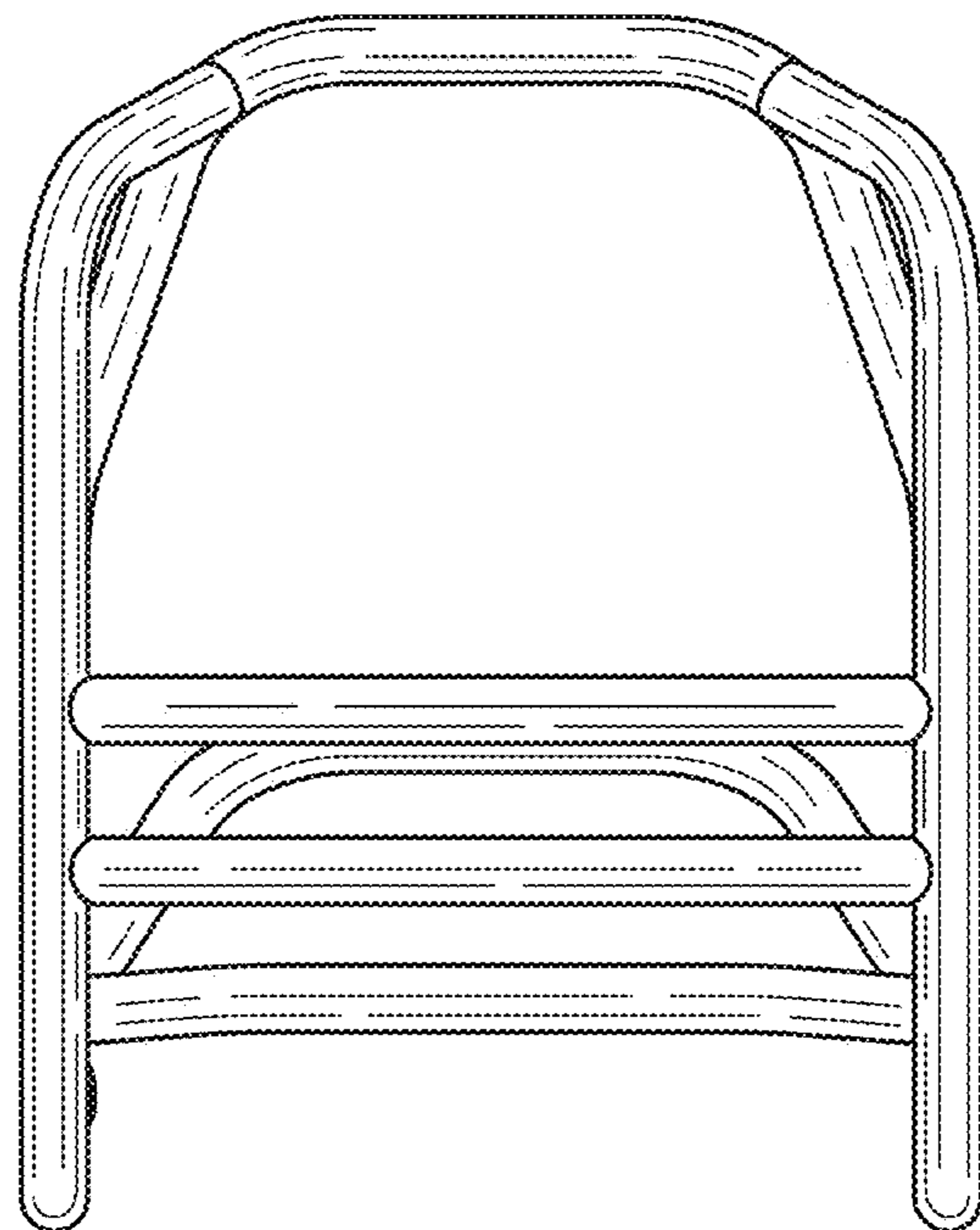


FIG. 7

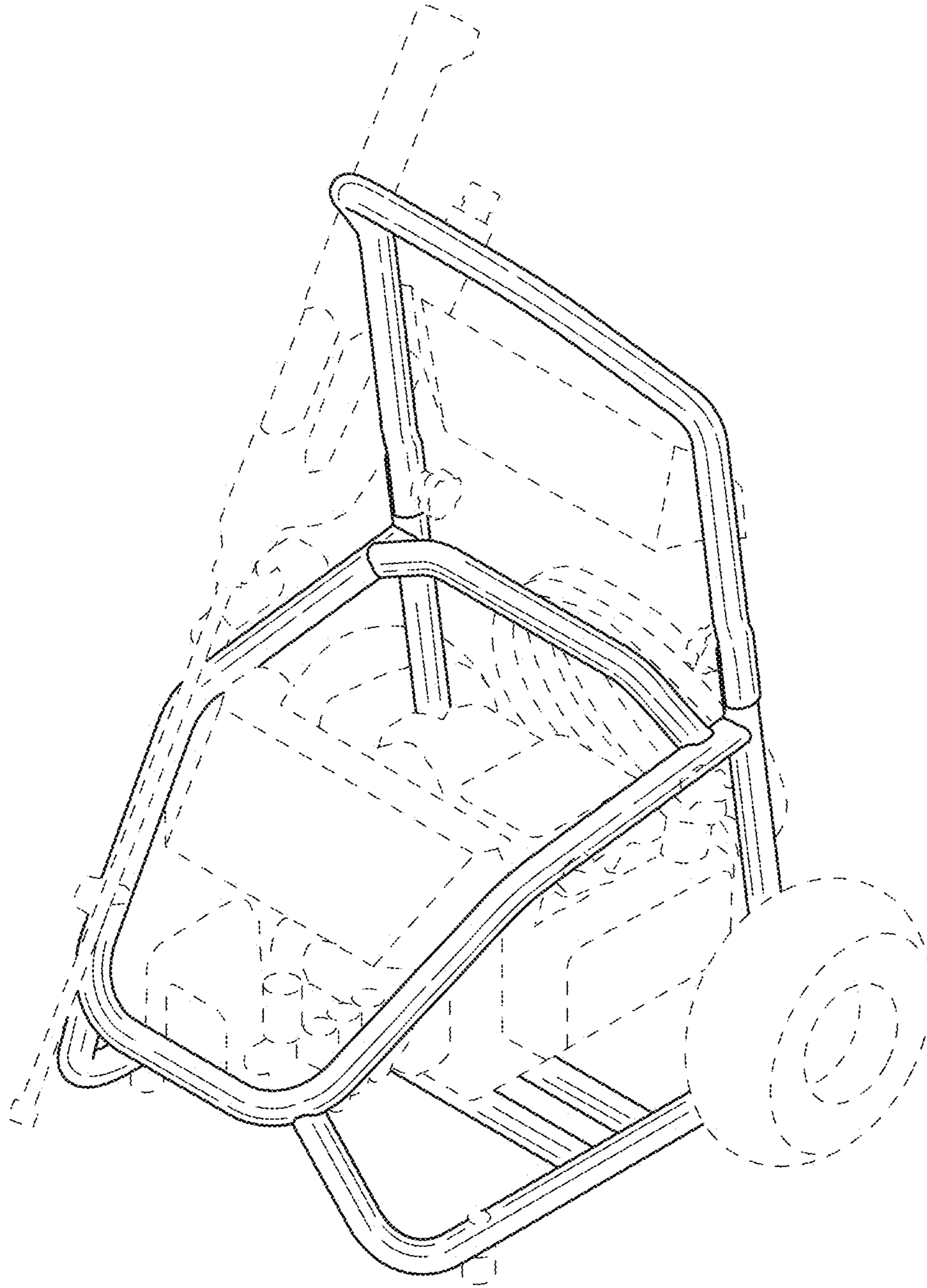


FIG.8