



US00D901797S

(12) **United States Design Patent** (10) **Patent No.:** **US D901,797 S**  
**Yu et al.** (45) **Date of Patent:** **\*\* Nov. 10, 2020**

(54) **CORNER OF A ROBOTIC CLEANER**  
(71) Applicant: **Ecovacs Robotics Co., Ltd.**, Suzhou (CN)  
(72) Inventors: **Xintong Yu**, Baiyin (CN); **Fang He**, Nanjing (CN); **Shuai Liu**, Hutun Town (CN)  
(73) Assignee: **ECOVACS ROBOTICS CO., LTD.**, Suzhou (CN)

D734,907 S \* 7/2015 Dooley ..... D32/31  
D743,647 S \* 11/2015 Heck ..... D32/21  
D748,878 S \* 2/2016 Dooley ..... D32/21  
D823,561 S \* 7/2018 Casini ..... D32/21  
2019/0059680 A1\* 2/2019 Fox ..... A47L 11/4072  
2020/0100640 A1\* 4/2020 Marutani ..... A47L 11/4061

**FOREIGN PATENT DOCUMENTS**

CN 302576458 S 9/2013  
CN 303538889 S 1/2016  
CN 304245844 S 8/2017

\* cited by examiner

*Primary Examiner* — Patricia A Palasik  
(74) *Attorney, Agent, or Firm* — Maschoff Brennan

(\*\*) Term: **15 Years**  
(21) Appl. No.: **29/656,305**  
(22) Filed: **Jul. 11, 2018**

(57) **CLAIM**

The ornamental design for a corner of a robotic cleaner, as shown and described.

(30) **Foreign Application Priority Data**

**DESCRIPTION**

Jan. 12, 2018 (CN) ..... 2018 3 0013931  
(51) **LOC (12) Cl.** ..... **15-05**  
(52) **U.S. Cl.**  
USPC ..... **D32/21; D15/199**  
(58) **Field of Classification Search**  
USPC ..... D15/199; D32/21  
CPC ..... A47L 9/009; A47L 9/2805; A47L 9/2852;  
A47L 2201/00; A47L 2201/04  
See application file for complete search history.

FIG. 1 is a front perspective view of a robotic cleaner that includes our design of a corner of the robotic cleaner; FIG. 2 is a side perspective view of our design; FIG. 3 is a front perspective view of our design; FIG. 4 is a top view of our design; FIG. 5 is a front view of our design; and, FIG. 6 is a top view of the robotic cleaner that includes our design.

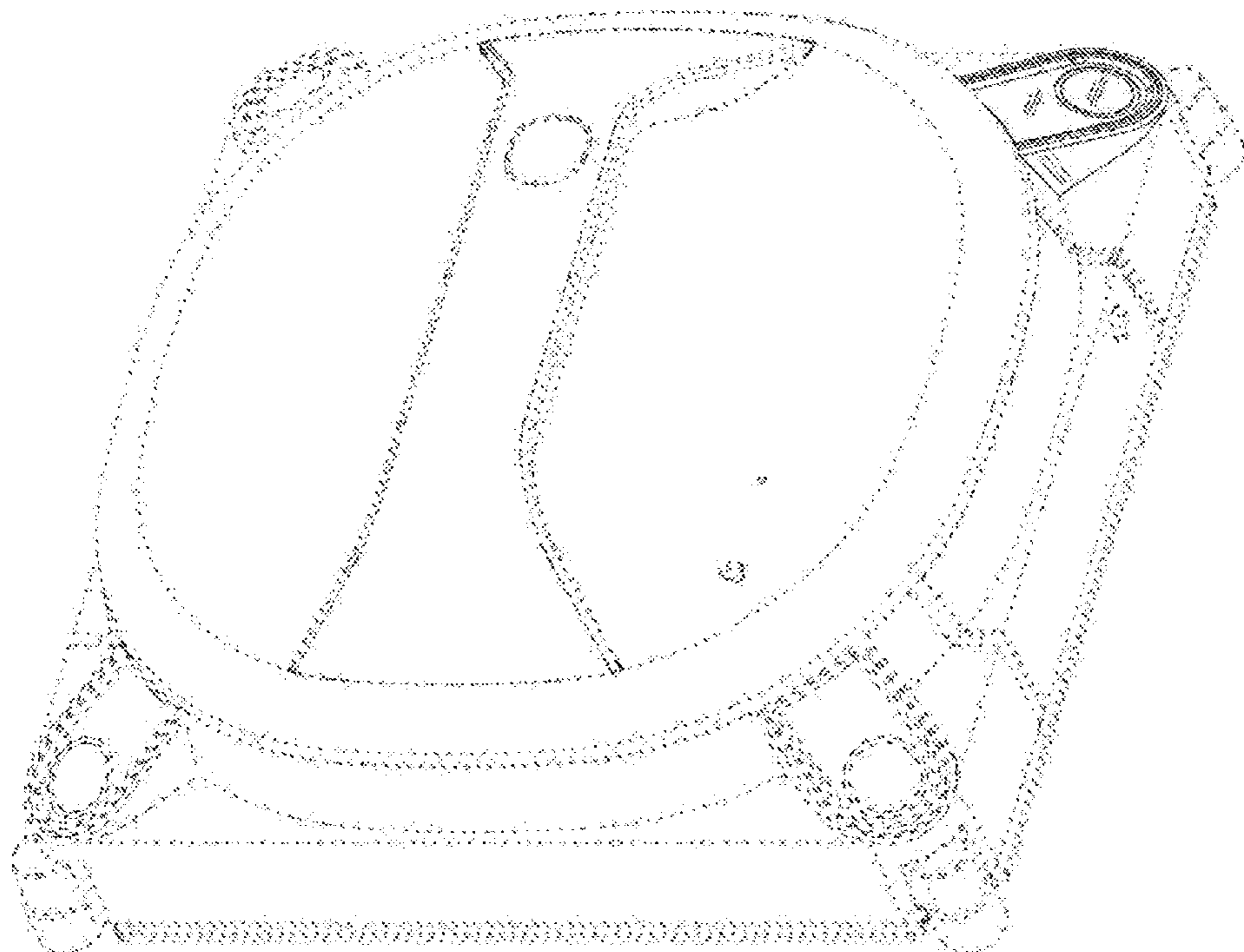
(56) **References Cited**

Broken lines in the drawings are directed to environment structure and are for illustrative purposes only. The broken lines form no part of the claimed design. The shade lines in the Figures show contour and not surface ornamentation.

**U.S. PATENT DOCUMENTS**

D526,753 S \* 8/2006 Tani ..... D32/21  
D625,059 S \* 10/2010 Morenstein ..... D32/21  
D625,477 S \* 10/2010 Morenstein ..... D32/21

**1 Claim, 6 Drawing Sheets**



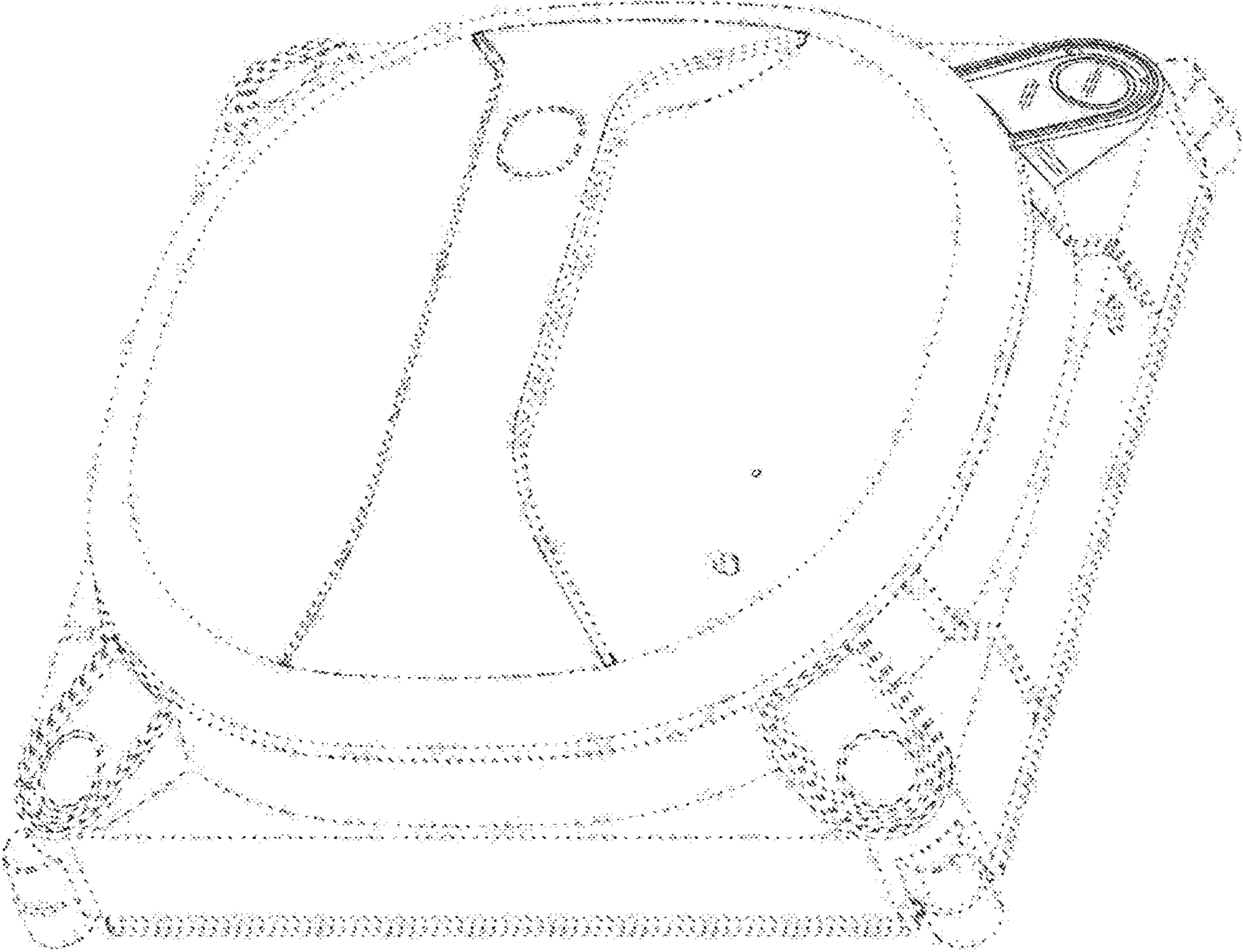


FIG. 1

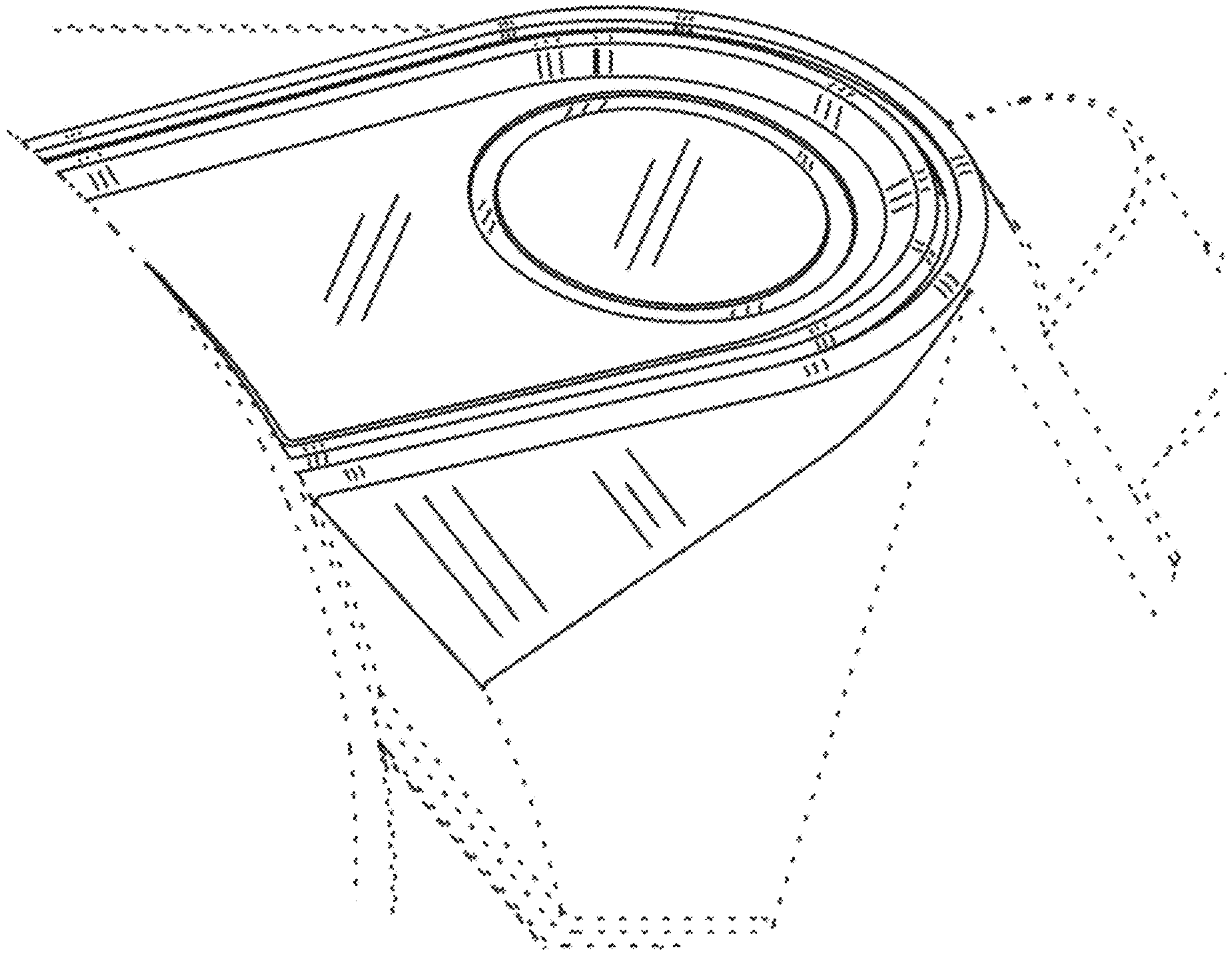


FIG. 2



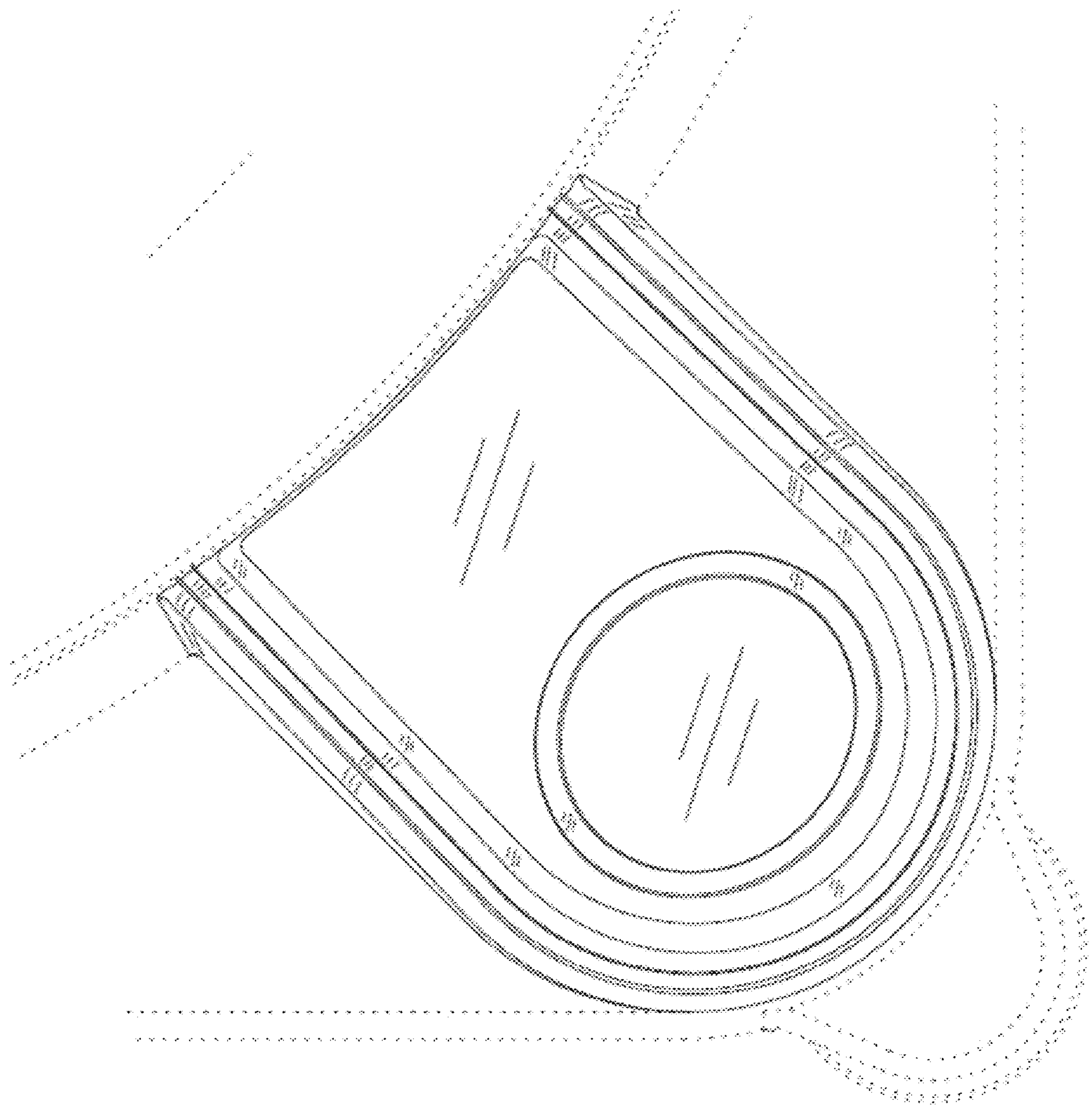


FIG. 4

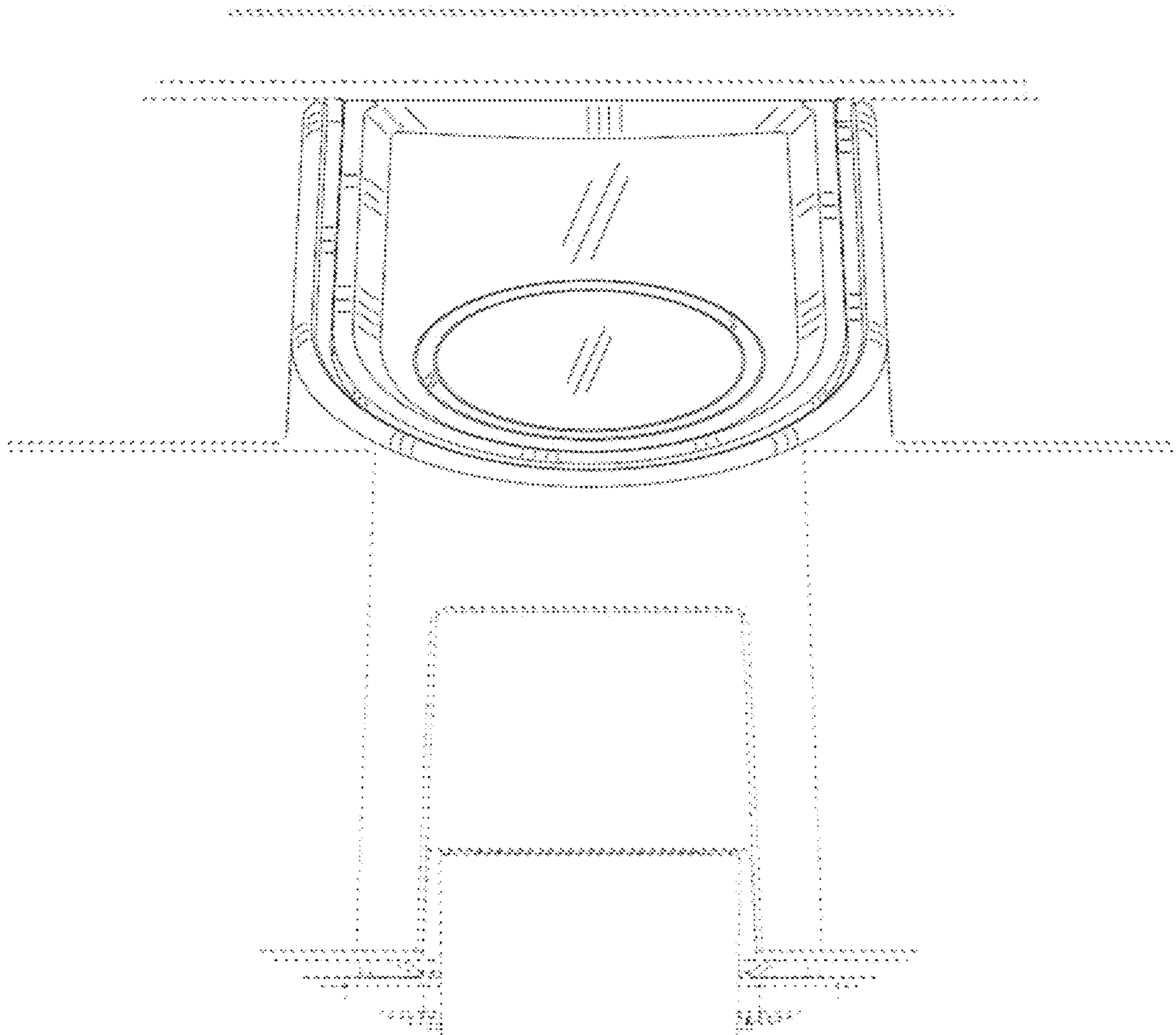
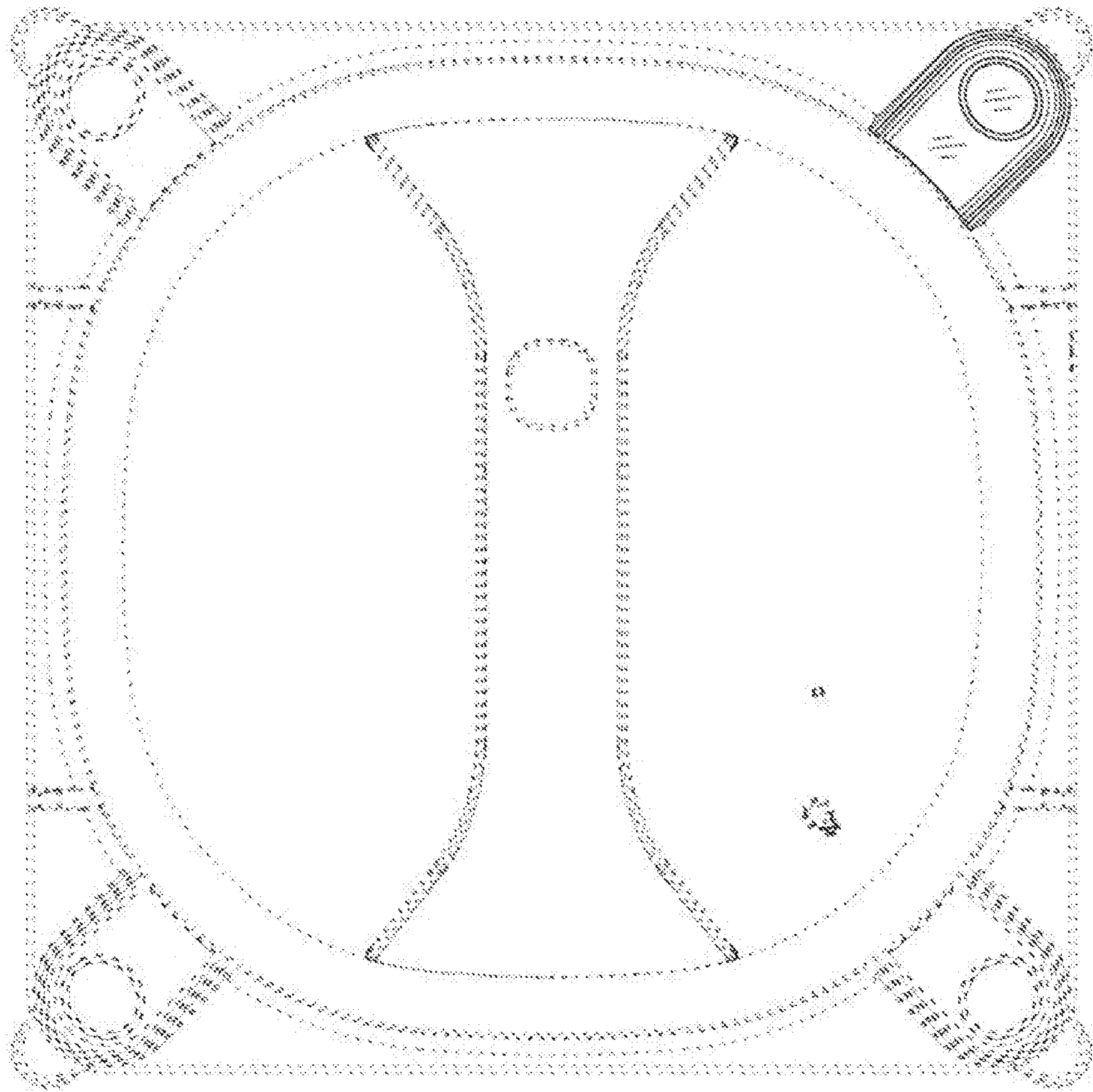


FIG. 5



**FIG. 6**