



US00D901795S

(12) **United States Design Patent** (10) **Patent No.:** **US D901,795 S**
Rummel et al. (45) **Date of Patent:** **** Nov. 10, 2020**

(54) **FLOOR CLEANING MACHINE**
(71) Applicant: **Alfred Kaercher SE & Co. KG**,
Winnenden (DE)
(72) Inventors: **Christian Rummel**, Benningen am
Neckar (DE); **Michael Meyer**,
Schwaikheim (DE)
(73) Assignee: **Alfred Kaercher SE & Co. KG**,
Winnenden (DE)

D424,263 S * 5/2000 Canni Ferrari D32/22
D635,774 S * 4/2011 Butts D4/100
D642,760 S * 8/2011 Lacotta D32/50
D661,034 S * 5/2012 Ediger D32/45
8,375,499 B1 * 2/2013 Marino B25G 1/102
15/143.1
D711,058 S * 8/2014 Crawley D32/45
D806,338 S * 12/2017 Metzel D32/45
(Continued)

(**) Term: **15 Years**

(21) Appl. No.: **29/636,195**

(22) Filed: **Feb. 7, 2018**

(30) **Foreign Application Priority Data**

Aug. 15, 2017 (WO) DM/097409

(51) **LOC (12) Cl.** **15-05**

(52) **U.S. Cl.**
USPC **D32/15**

(58) **Field of Classification Search**
USPC D32/15-19, 50-52, 43; D8/70
CPC E04D 13/0765; A01G 20/47; A47L 11/30;
A47L 11/4066; A47L 11/4002; A47L
11/4011

See application file for complete search history.

(56) **References Cited**

U.S. PATENT DOCUMENTS

D312,339 S * 11/1990 Nero, III D32/40
D346,468 S * 4/1994 Dusinberre D32/22
D362,094 S * 9/1995 Stephenson D32/45
D370,322 S * 5/1996 Canni Ferrari D32/31
D383,578 S * 9/1997 Ho D32/22
D384,506 S * 10/1997 Canni Ferrari D32/51
D398,099 S * 9/1998 Leung D32/22
D412,401 S * 8/1999 Stutzer D32/51
D420,774 S * 2/2000 Schupp D32/22

FOREIGN PATENT DOCUMENTS

CN 302415198 * 4/2013

OTHER PUBLICATIONS

Amazon.com: Karcher FC 5 Hard Floor Cleaner, reviews 2018,
<https://www.amazon.com/Karcher-Hard-Floor-Cleaner-Yellow/dp/B07C894N4L/ref=asc...> site visited Nov. 24, 2019 (Year: 2018).*
(Continued)

Primary Examiner — John R Yeh
(74) *Attorney, Agent, or Firm* — Lipsitz & McAllister,
LLC

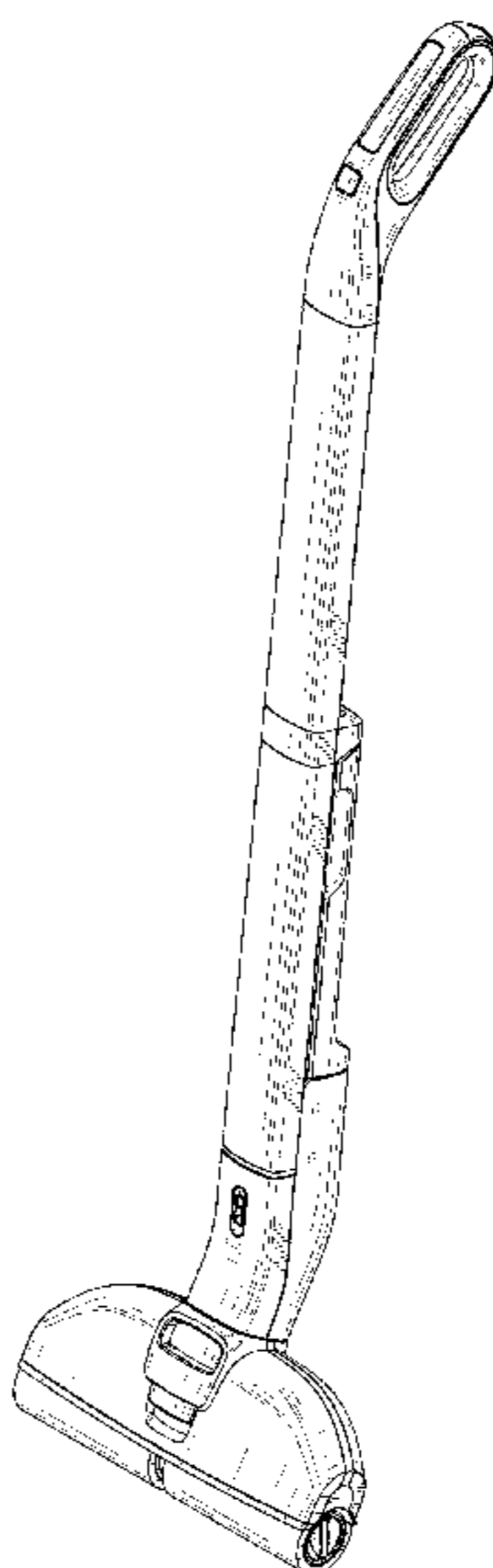
(57) **CLAIM**

The ornamental design for a floor cleaning machine, as shown and described.

DESCRIPTION

FIG. 1 is a front, top and left side perspective view of a floor cleaning machine showing the new design; FIG. 2 is a front, top and right side perspective view thereof; FIG. 3 is a front elevational view thereof; FIG. 4 is a left side elevational view thereof; FIG. 5 is a rear elevational view thereof; FIG. 6 is a right side elevational view thereof; and, FIG. 7 is a top plan view thereof. The broken line showing of various elements in the Figures forms no part of the claimed design.

1 Claim, 7 Drawing Sheets



(56)

References Cited

U.S. PATENT DOCUMENTS

D835,871 S * 12/2018 Breit D32/50
D858,016 S * 8/2019 Casini D32/15
D866,894 S * 11/2019 McDonnell D32/45
2006/0090284 A1* 5/2006 Chen A47L 11/34
15/320
2010/0132151 A1* 6/2010 Khalil A46B 9/028
15/344

OTHER PUBLICATIONS

Extract from catalog of Alfred Kaercher GmbH & Co., "Kaercher 2000 Professional Cleaning Systems", cover, p. 11 and last page (Jan. 2000).

Extract from catalog of Alfred Kaercher GmbH & Co. KG, "Programme 2006", cover, p. 42 and last page (Dec. 2005).

Extract from catalog of Alfred Kaercher GmbH & Co. KG, "Programme 2017 Home & Garden", cover, pp. 122-125 and last page (Oct. 2016).

* cited by examiner

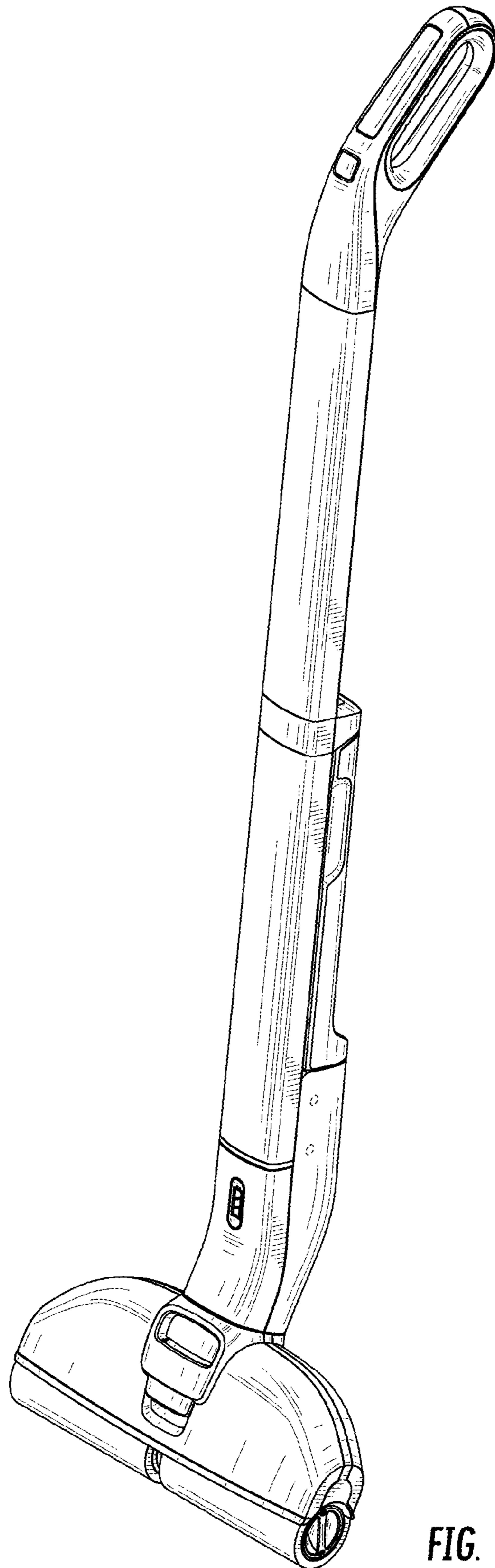


FIG. 1

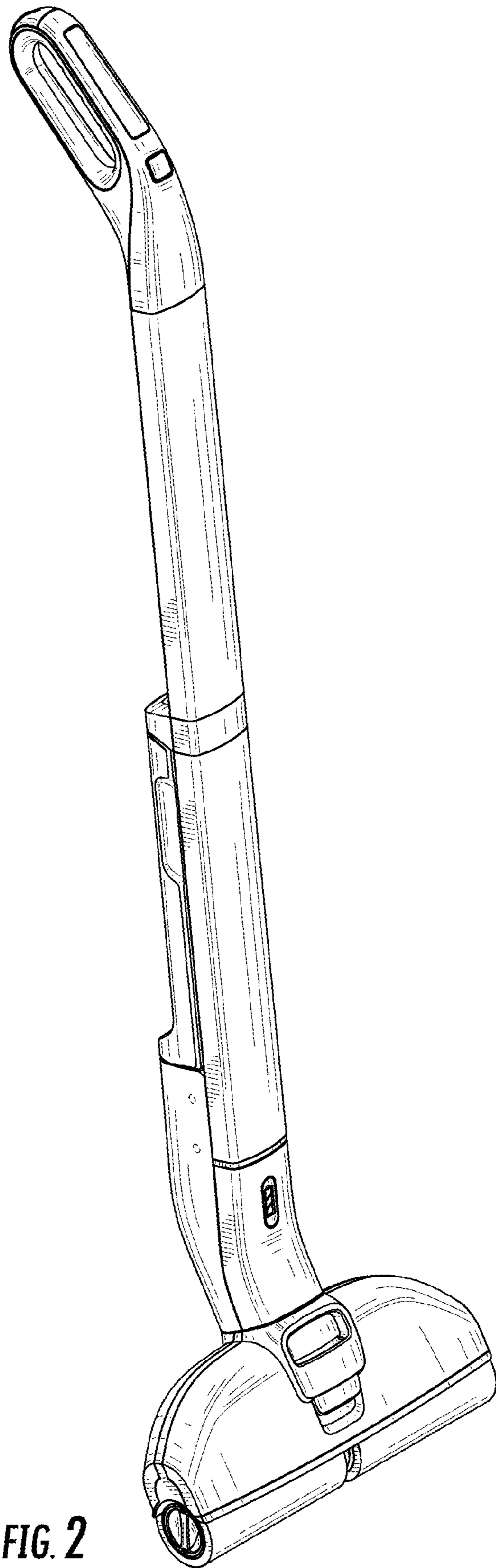


FIG. 2

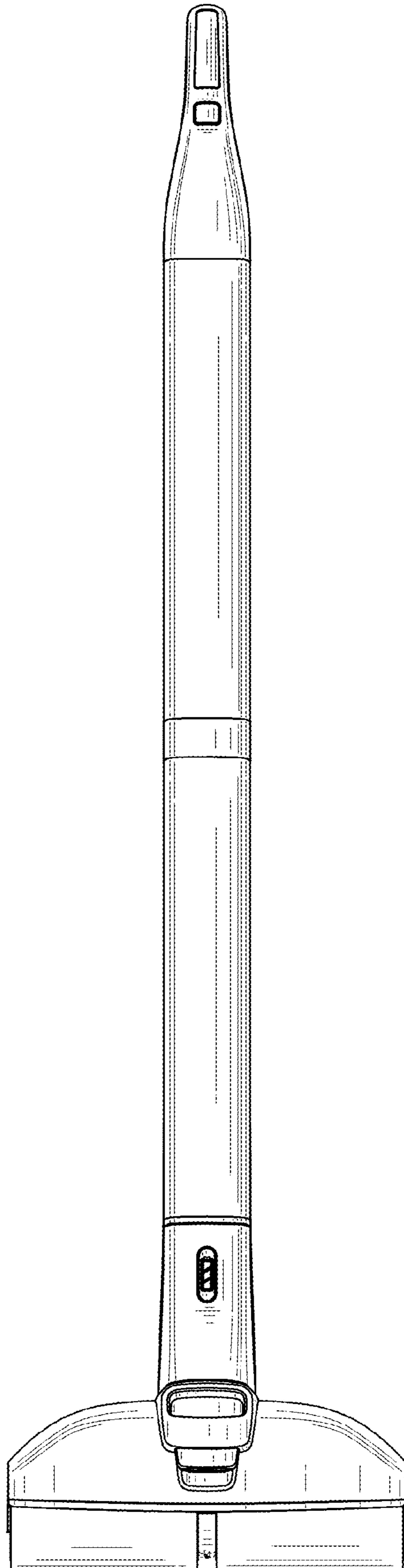


FIG. 3

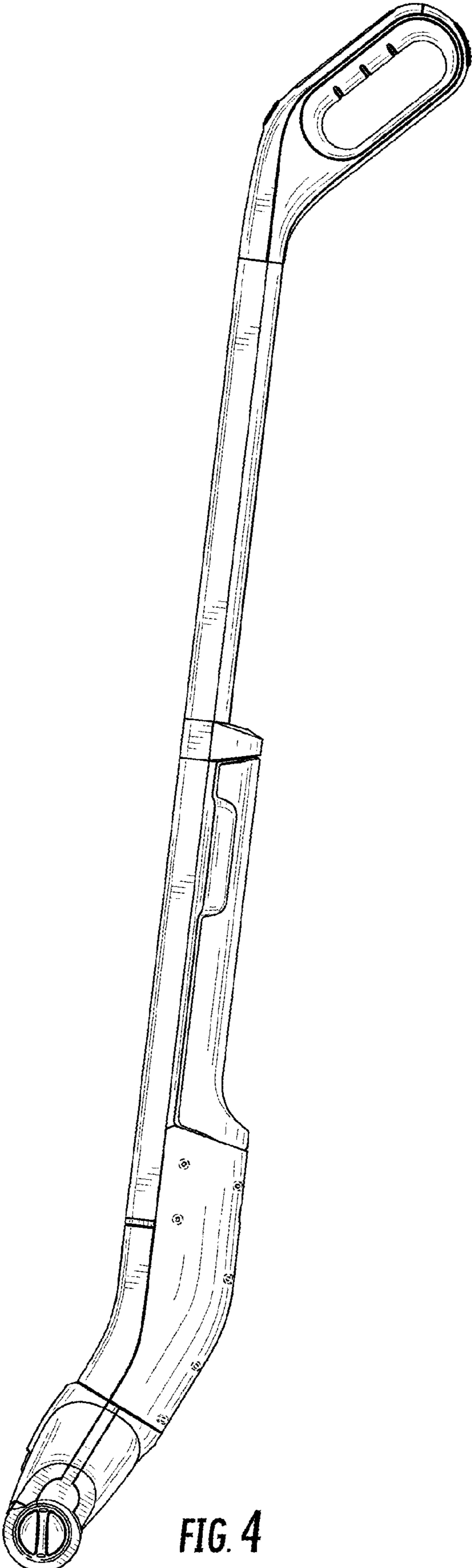


FIG. 4

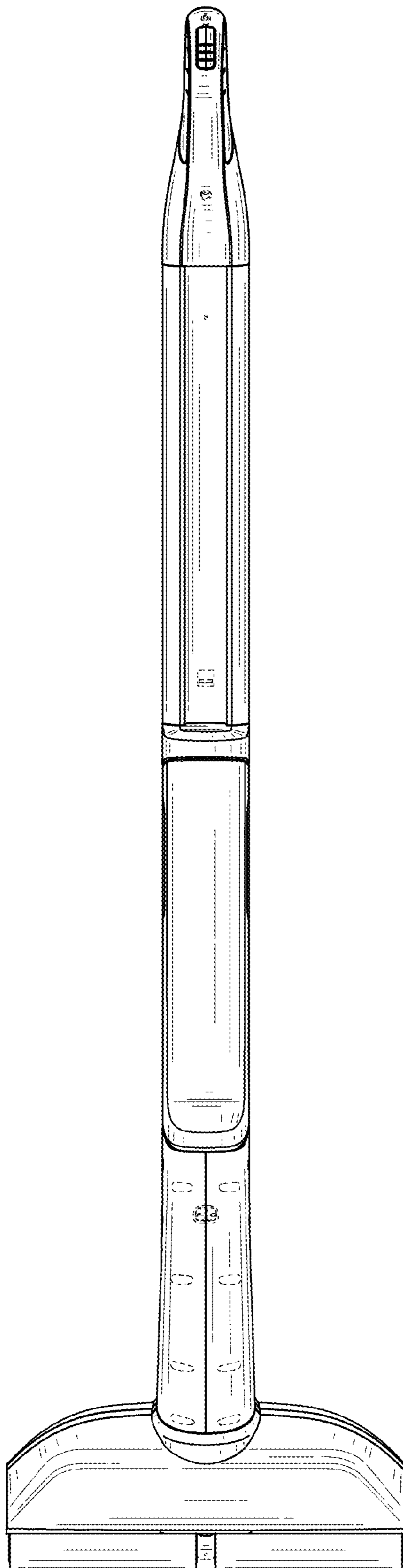


FIG. 5

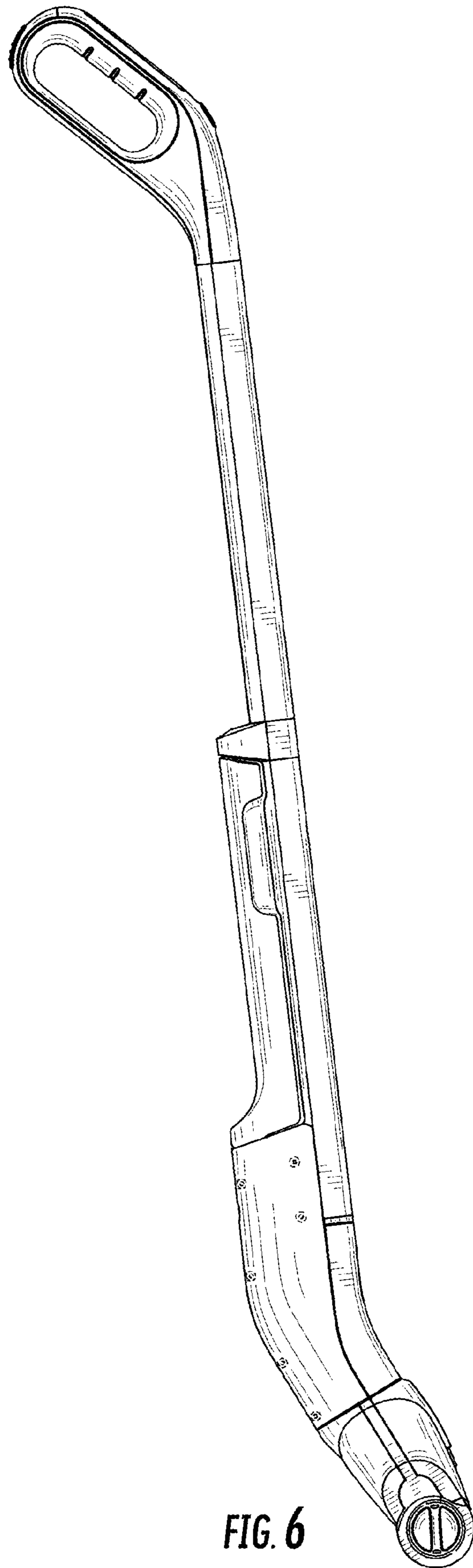


FIG. 6

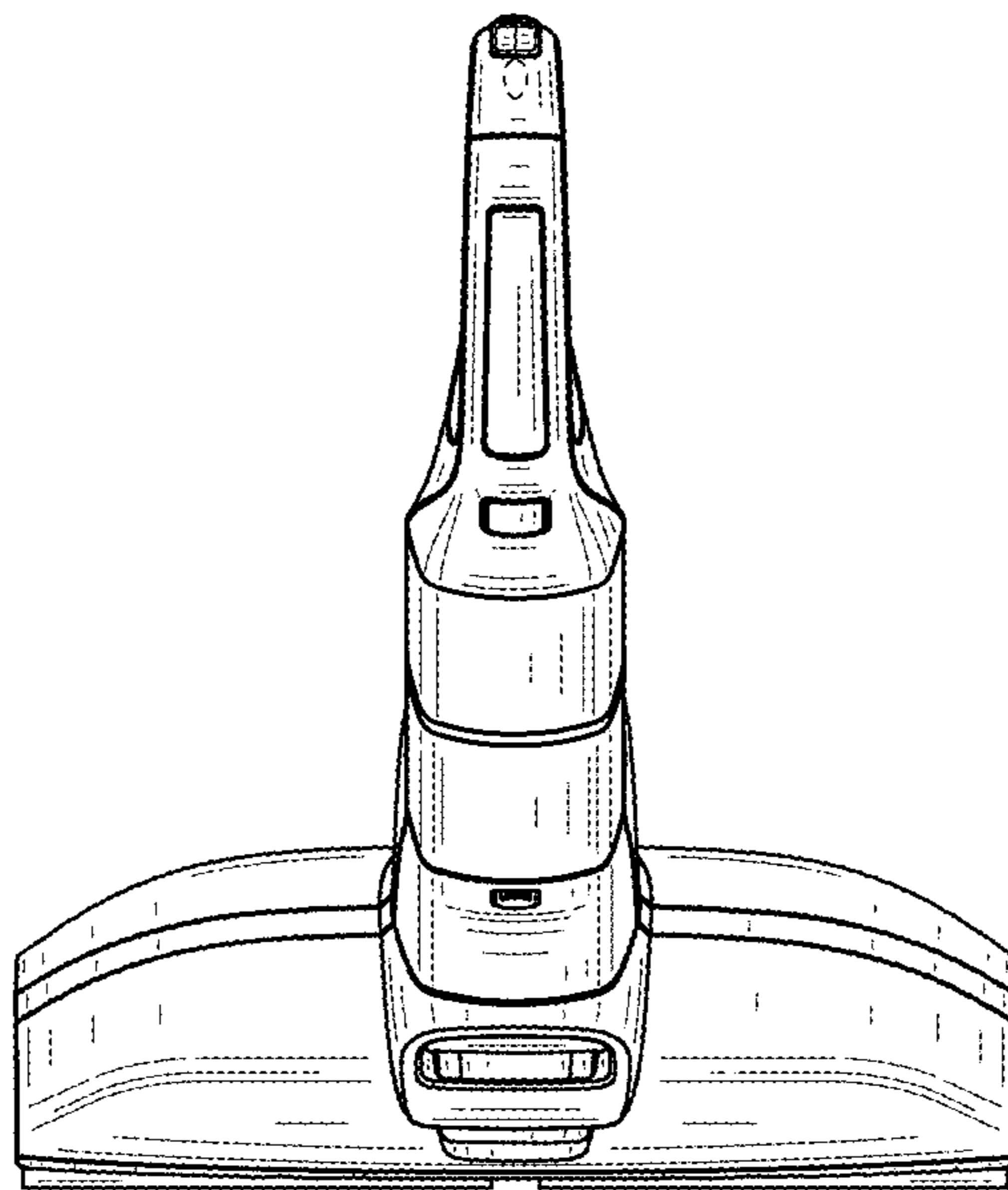


FIG. 7