



US00D901789S

(12) **United States Design Patent** (10) **Patent No.:** **US D901,789 S**
Yang (45) **Date of Patent:** **** Nov. 10, 2020**

(54) **PET HARNESS**
(71) Applicant: **Zhenfu Yang**, Shenzhen (CN)
(72) Inventor: **Zhenfu Yang**, Shenzhen (CN)
(**) Term: **15 Years**
(21) Appl. No.: **29/675,257**
(22) Filed: **Dec. 29, 2018**
(51) **LOC (12) Cl.** **30-04**
(52) **U.S. Cl.**
USPC **D30/152**
(58) **Field of Classification Search**
USPC D30/144, 145, 151, 152, 154;
D29/101.1, 101.3, 101.4; D2/718, 719,
D2/860, 861
CPC A01K 27/002
See application file for complete search history.

7bee43edbed172ba43621c9a88396fca7accd58c?page=1&sort=crawl_date&order=asc&extension_ver=chrome-1.3.0.*

(Continued)

Primary Examiner — Kendra Leslie Hamilton
(74) *Attorney, Agent, or Firm* — Law Offices of Steven W. Weinrieb

(57) **CLAIM**

The ornamental design for a pet harness, as shown and described.

DESCRIPTION

FIG. 1 is a top, front, right perspective view of a pet harness, showing my new design;
FIG. 2 is a top, rear, left perspective view thereof;
FIG. 3 is a front elevational view thereof;
FIG. 4 is a rear elevational view thereof.
FIG. 5 is a left side elevational view thereof;
FIG. 6 is a right side elevational view thereof;
FIG. 7 is a top plan view thereof;
FIG. 8 is a bottom plan view thereof;
FIG. 9 is a right side elevation view of the pet harness of FIG. 1 shown in an alternate configuration for use; and,
FIG. 10 is a top, rear, right perspective view of the pet harness of FIG. 1 shown in condition for use upon a dog. The broken lines immediately adjacent to the shaded, claimed portions of the pet harness define the boundaries of the design. All other broken lines shown on the remainder of the pet harness depict unclaimed subject matter and form no part of the claim. Additionally, the broken line showing a dog in FIG. 10 depicts environmental subject matter only and forms no part of the claimed design. All broken lines form no part of the claimed design.

(56) **References Cited**

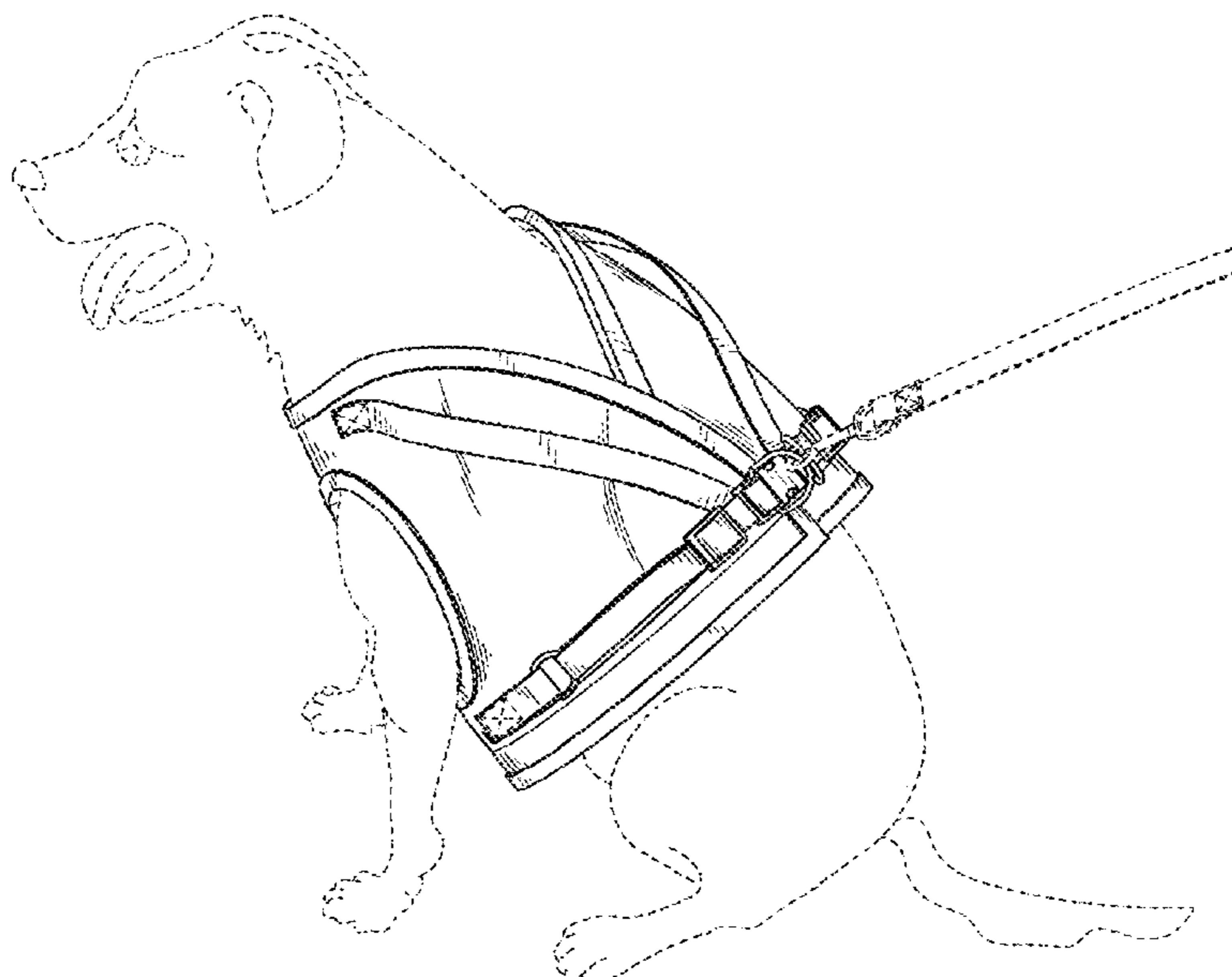
U.S. PATENT DOCUMENTS

D113,489 S *	2/1939	Du Mais	D30/145
3,768,445 A *	10/1973	Sorrels	A01K 27/002
			119/856
D427,734 S *	7/2000	Balzarini	D30/145
6,792,894 B1 *	9/2004	Donaldson	A01K 27/002
			119/792
D632,850 S *	2/2011	Light	D30/152
8,418,658 B1 *	4/2013	Remick	A01K 27/002
			119/792
D749,800 S *	2/2016	Zimmermann	D30/153
D760,448 S *	6/2016	Ceconato	D30/152
D762,926 S *	8/2016	Ets-Hokin	D30/152
D783,210 S *	4/2017	Uihlein	D30/152
D865,302 S *	10/2019	Kim	D30/152
2016/0021852 A1 *	1/2016	Goluboff	A01K 13/006
			119/792
2016/0066544 A1 *	3/2016	Sporn	A01K 27/002
			119/863

OTHER PUBLICATIONS

“Ishiline Dog Harness: Reflective Vest”. Found online Feb. 4, 2020 at aliexpress.com. Reference dated Jun. 7, 2018. Retrieved from <https://tineye.com/search/>

1 Claim, 10 Drawing Sheets



(56)

References Cited

OTHER PUBLICATIONS

“Webed Dog Harness: Reflective Vest”. Found online Mar. 27, 2020 at webedeamall. Reference dated Sep. 10, 2018. Retrieved from https://tineye.com/search/a4d659a1ded018f726c8d94e3d9425b262274a1c?page=1&sort=crawl_date&order=asc&extension_ver=chrome-1.3.0&ia=ebay.com.*

“Kanagear Dog Harness: Reflective Safety Set”. Found online Feb. 4, 2020 at kanagear.com. Reference dated Sep. 26, 2018. Retrieved from https://tineye.com/search/ddea7c98deb9014965a3f98082ed2051c7a92496?page=1&sort=crawl_date&order=asc&extension_ver=chrome-1.3.0.*

“Lorsoul Dog Harness: Daily Vest for Small Dogs”. Found online Apr. 1, 2019 at amazon.co.uk. Reference dated Oct. 12, 2018. Retrieved from https://www.amazon.co.uk/..._d_wg=9wEzT&pf_rd_p=18edf98b-139a-41ee-bb40-d725dd59d1d3&pf_rd_r=VV88QVQPSAXJFRJJKPE9&psc=1&refRID=VV88QVQPSAXJFRJJKPE9.*

* cited by examiner

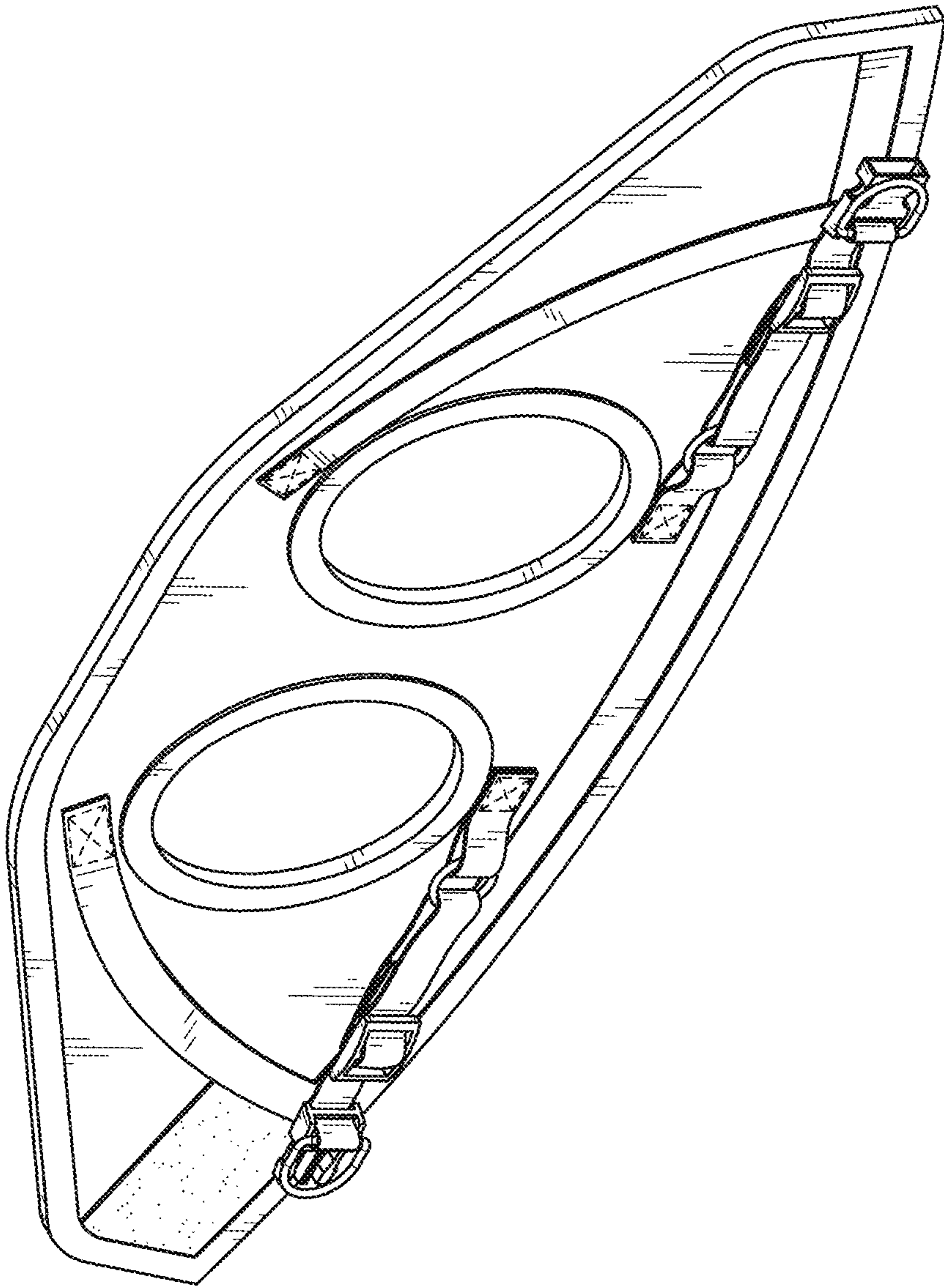


FIG. 1

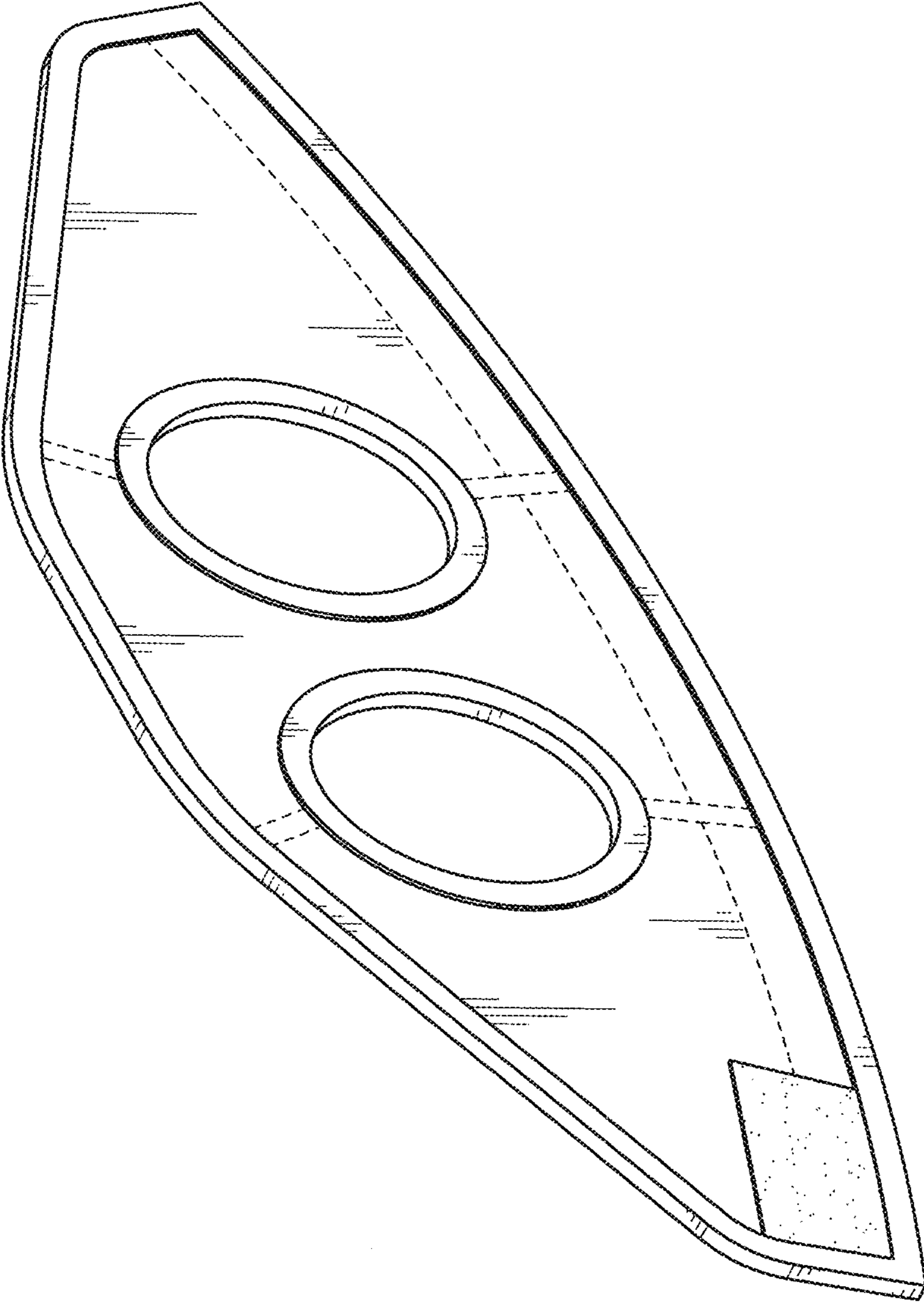


FIG. 2

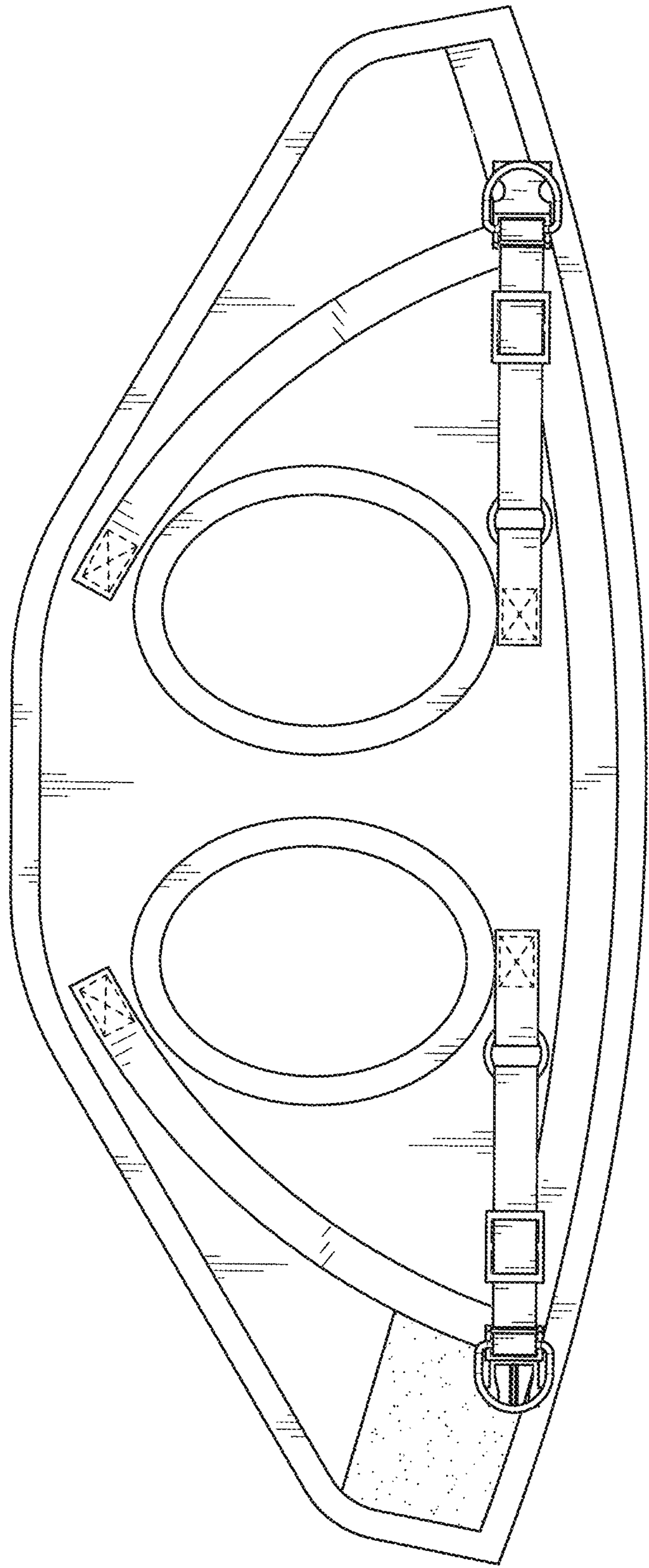


FIG. 3

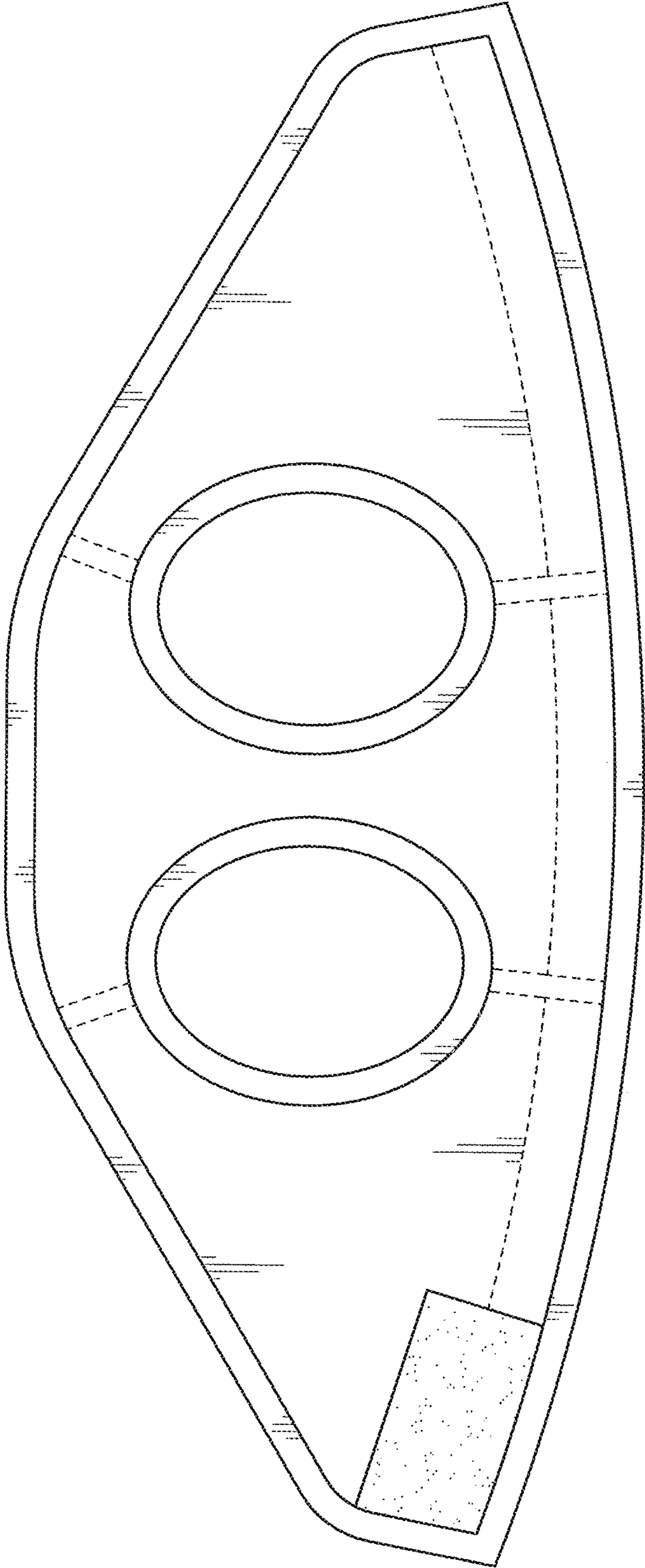


FIG. 4

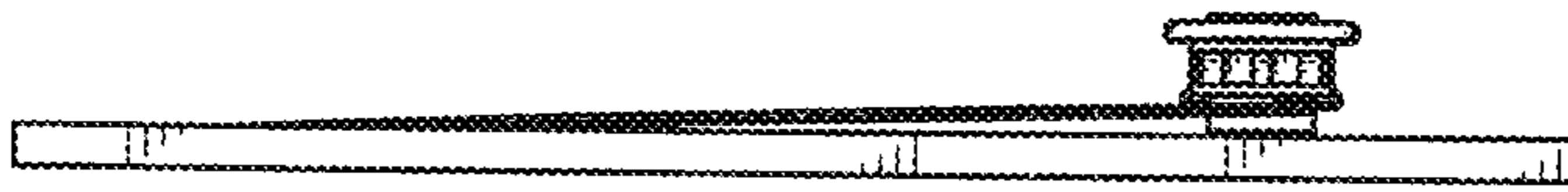


FIG. 5

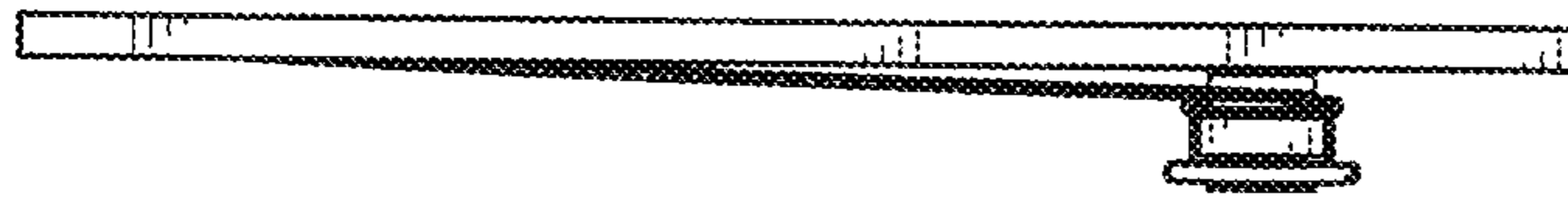


FIG. 6

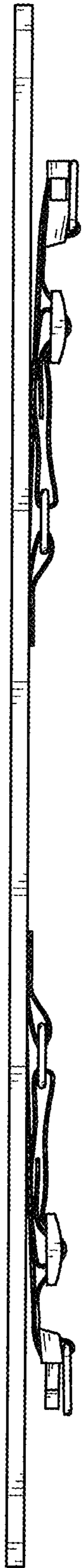


FIG. 7

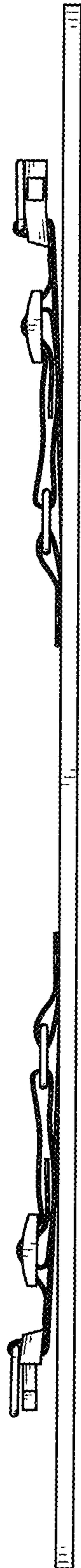


FIG. 8

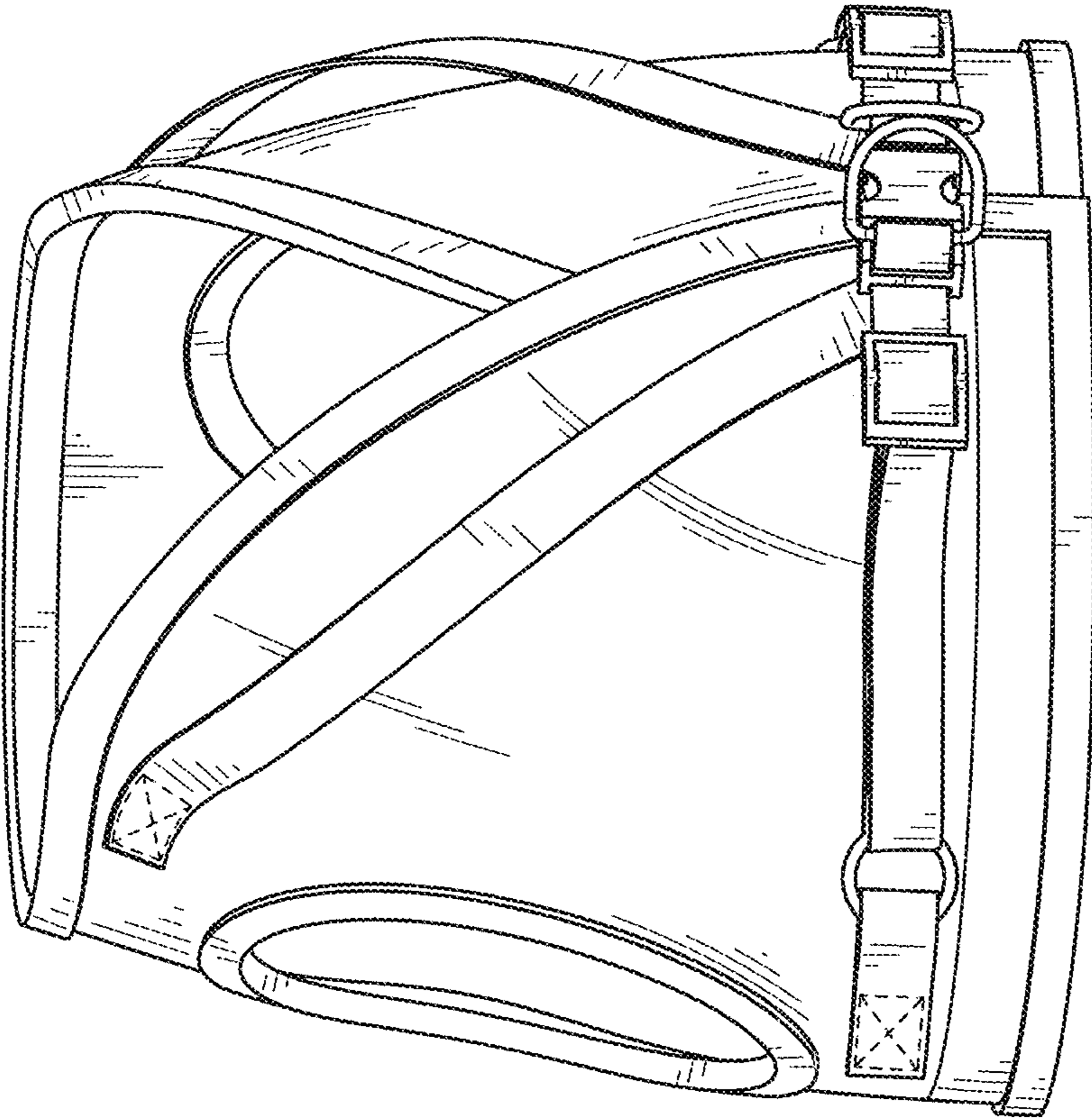


FIG. 9

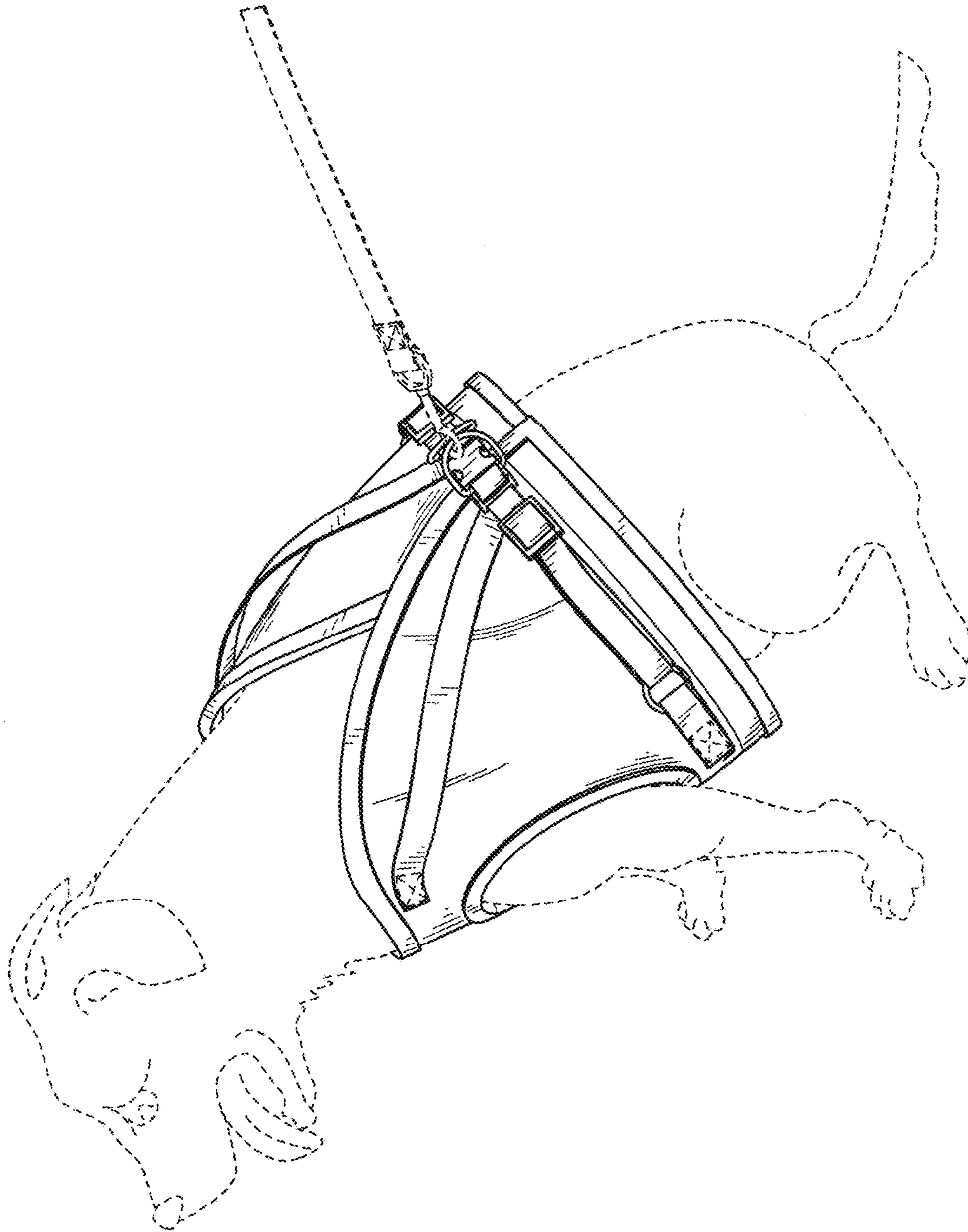


FIG. 10