



US00D901788S

(12) **United States Design Patent**
Stevenson et al.

(10) **Patent No.:** **US D901,788 S**

(45) **Date of Patent:** **** *Nov. 10, 2020**

(54) **UNGULATE SHOE**

(71) Applicant: **D2M Solutions FZE**, Dubai (AE)

(72) Inventors: **Robert James Stevenson**, Dubai (AE);
Dimitrios Halabi Nicolaides, Dubai (AE)

(73) Assignee: **FORMAHOOF LIMITED**, Waterford (IE)

(*) Notice: This patent is subject to a terminal disclaimer.

(**) Term: **15 Years**

(21) Appl. No.: **29/678,676**

(22) Filed: **Jan. 30, 2019**

(30) **Foreign Application Priority Data**

Jul. 31, 2018 (EM) 005519253-0007

(51) **LOC (12) Cl.** **30-01**

(52) **U.S. Cl.**

USPC **D30/146**

(58) **Field of Classification Search**

USPC D30/102, 108, 113, 114, 118, 119, 120,
D30/144–154, 199; D3/215, 216, 221,
D3/226, 231, 233, 327, 218; D29/101.1,
D29/101.3, 101.5, 103, 104, 109, 122;
D24/190–192, 199, 186

CPC A01K 1/00; A01K 1/02; A01K 1/0088;
A01K 13/007; A01K 13/006; A01K
13/00; A01K 27/00; A01K 27/001; A01K
27/002; A01K 27/003; A01K 27/004;
A01K 27/005; A01K 27/006; A01K
27/008; A01K 27/009; A01K 25/00;
A01K 15/04; A01K 15/021; A01K
15/022; A01K 11/006; A01K 11/008;
A01K 23/00; A01K 29/00; A41B 13/06;
A61F 11/12; A61D 9/00; B68B 1/02;
B68B 1/01; E06B 9/02; E06B 9/0623;
E06B 9/0638; A01L 3/02; A01L 5/00;
A01L 1/02

See application file for complete search history.

(56) **References Cited**

U.S. PATENT DOCUMENTS

3,236,310 A *	2/1966	Quick	A01L 3/02 168/18
3,967,683 A *	7/1976	Ensinozo	A01L 3/00 168/4
4,189,004 A *	2/1980	Glass	A01L 3/02 168/18

(Continued)

OTHER PUBLICATIONS

FormaHoof, published Oct. 20, 2017 [online], [retrieved Jun. 21, 2020], Available from Internet, URL: <https://www.facebook.com/FormaHoof/posts/all-set-up-at-clinton-andersons-ranch-rally-looking-forward-to-demonstrate-the-n/829287700564687/>.*

(Continued)

Primary Examiner — Dana K Weiland

Assistant Examiner — Mary Claire Ramirez

(74) *Attorney, Agent, or Firm* — King & Schickli, PLLC

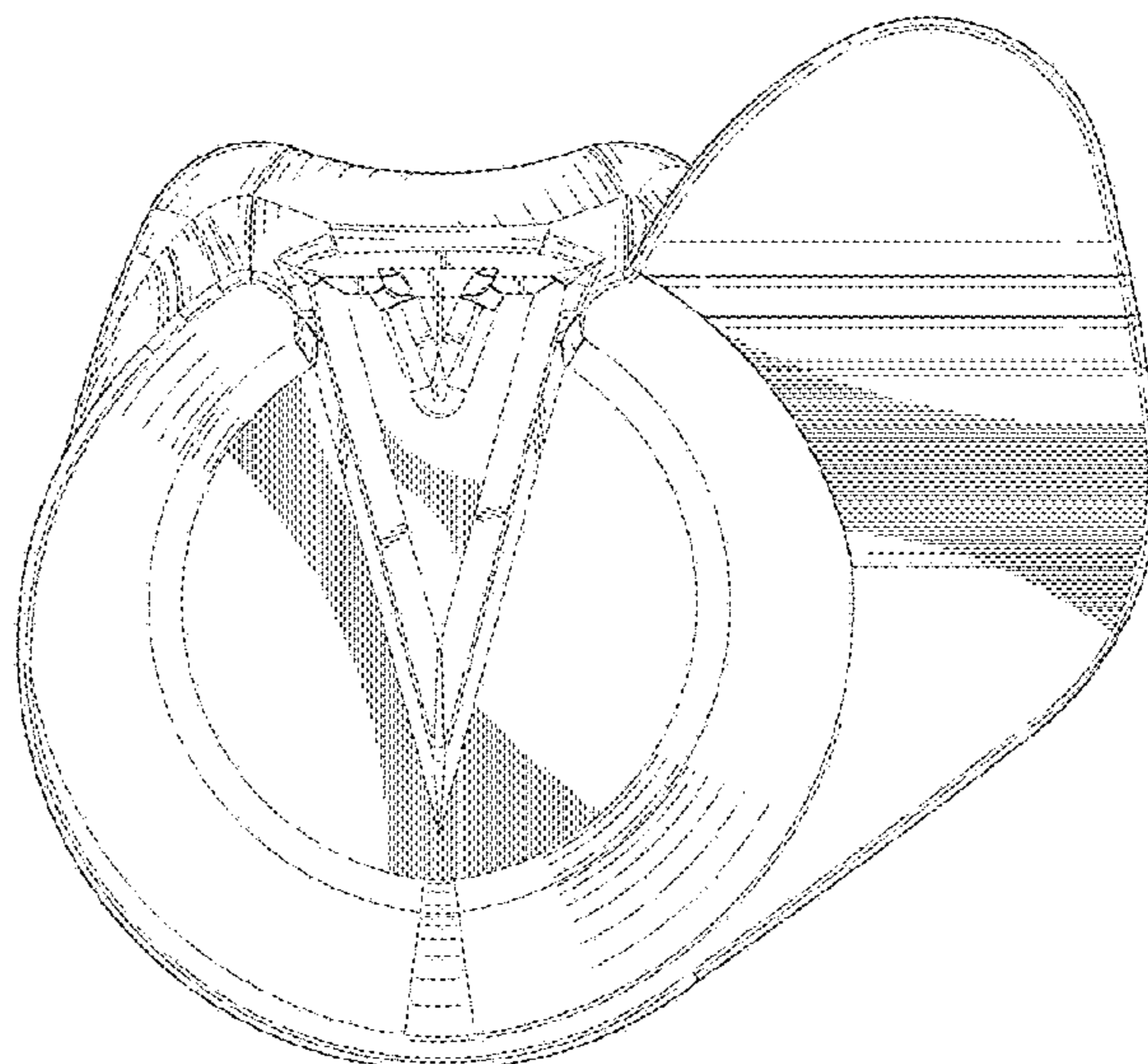
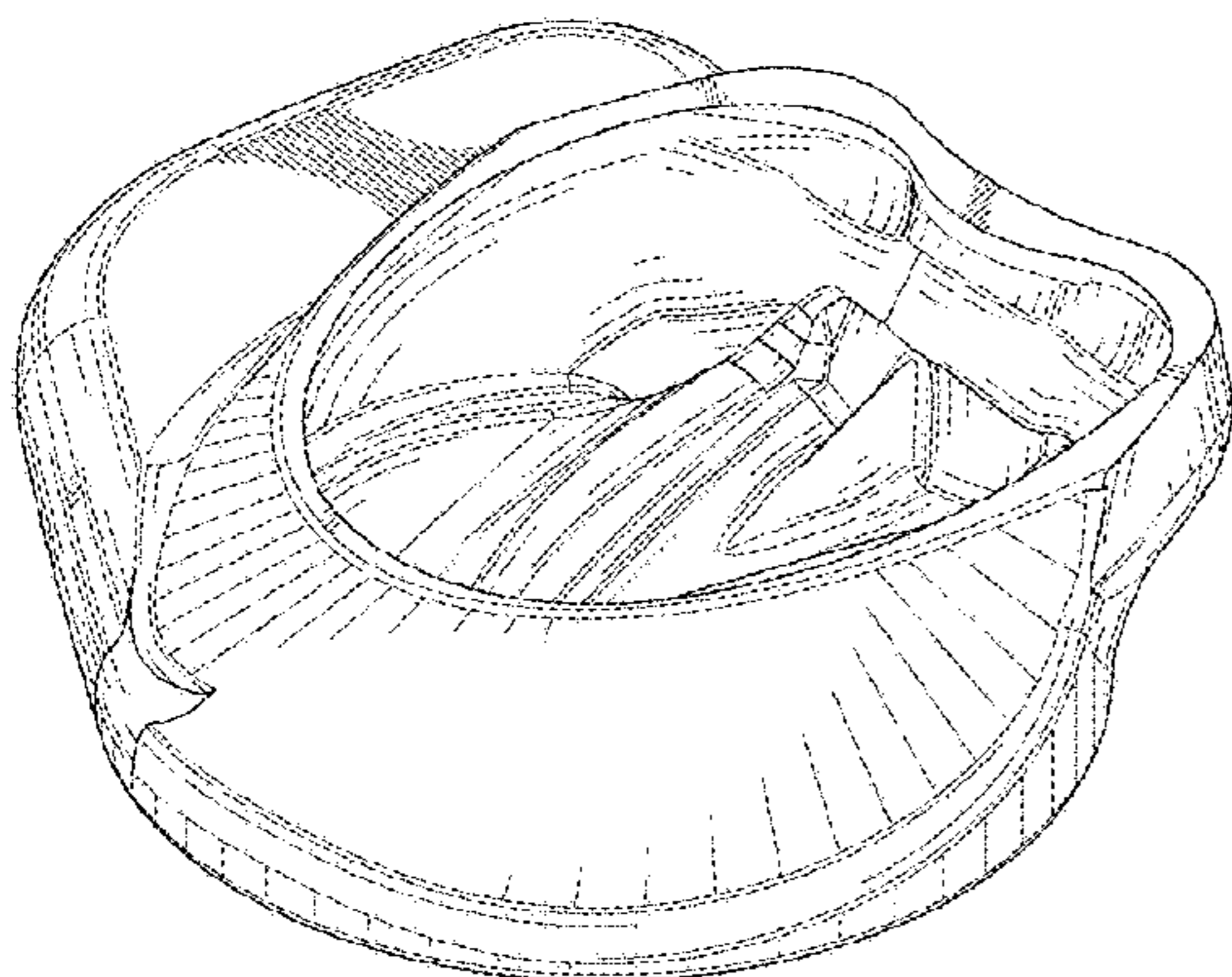
(57) **CLAIM**

The ornamental design for an ungulate shoe, as shown and described.

DESCRIPTION

FIG. 1 is a top perspective view of an ungulate shoe, showing our new design;
FIG. 2 is a bottom perspective view thereof;
FIG. 3 is a top view thereof;
FIG. 4 is a front view thereof;
FIG. 5 is a rear view thereof;
FIG. 6 is a bottom view thereof;
FIG. 7 is a left right view thereof;
FIG. 8 is a right left view thereof; and,
FIG. 9 is a cross-sectional view thereof, taken in the direction of line 9-9 in FIG. 4.

1 Claim, 4 Drawing Sheets



(56)

References Cited

U.S. PATENT DOCUMENTS

4,290,487 A * 9/1981 Unger A01K 13/007
168/18
D271,912 S * 12/1983 Kurpakus D30/148
4,564,071 A * 1/1986 Lee A01L 5/00
168/19
D285,499 S * 9/1986 Nakanishi D30/149
4,881,600 A * 11/1989 Nebel A01L 3/00
168/11
5,272,857 A * 12/1993 Logan A61D 9/00
168/18
D503,500 S * 3/2005 Gaspari D30/118
D580,111 S * 11/2008 Lander D30/146
D603,108 S * 10/2009 Lander D30/149
D629,166 S * 12/2010 Lander D30/149
D629,573 S * 12/2010 Lander D30/146
D629,977 S * 12/2010 Ford D30/146
D671,694 S * 11/2012 Ford D30/146
D685,142 S * 6/2013 Lander D30/148
D689,246 S * 9/2013 Blair D30/148
D709,656 S * 7/2014 Ruetenik D30/149
D746,519 S * 12/2015 Ruetenik D30/149
D767,830 S * 9/2016 Blair D30/147
9,687,043 B2 * 6/2017 Kenney A43B 3/0036
D832,531 S * 10/2018 Liblin, Jr. D30/147
D867,683 S * 11/2019 Stevenson D30/147
D874,743 S * 2/2020 Stevenson D30/147

D874,744 S * 2/2020 Stevenson D30/147
D876,029 S * 2/2020 Blair D30/147
D876,030 S * 2/2020 Blair D30/147
D876,031 S * 2/2020 Blair D30/147
2003/0070403 A1 * 4/2003 Osha A01K 13/007
54/82
2006/0254782 A1 * 11/2006 Morris A61D 9/00
168/28
2007/0033909 A1 * 2/2007 Lustgarten A01L 7/00
54/82
2009/0235621 A1 * 9/2009 Ford A01L 5/00
54/82
2010/0083624 A1 * 4/2010 Ford A01K 13/007
54/82
2012/0118587 A1 * 5/2012 Patek A01K 13/007
168/4
2016/0249596 A1 * 9/2016 Ford A01L 3/02
168/17
2017/0258066 A1 * 9/2017 Stevenson A01L 3/00
2019/0364848 A1 * 12/2019 Ford A01L 3/04

OTHER PUBLICATIONS

FormaHoof Right Extension, published 2020 [online], [retrieved Jun. 21, 2020], Available from Internet, URL: https://twin-creeks-podiatry.com/collections/formahoof-%C2%AE-foal-extensions/products/formahoof-%C2%AE-right-extension.*

* cited by examiner

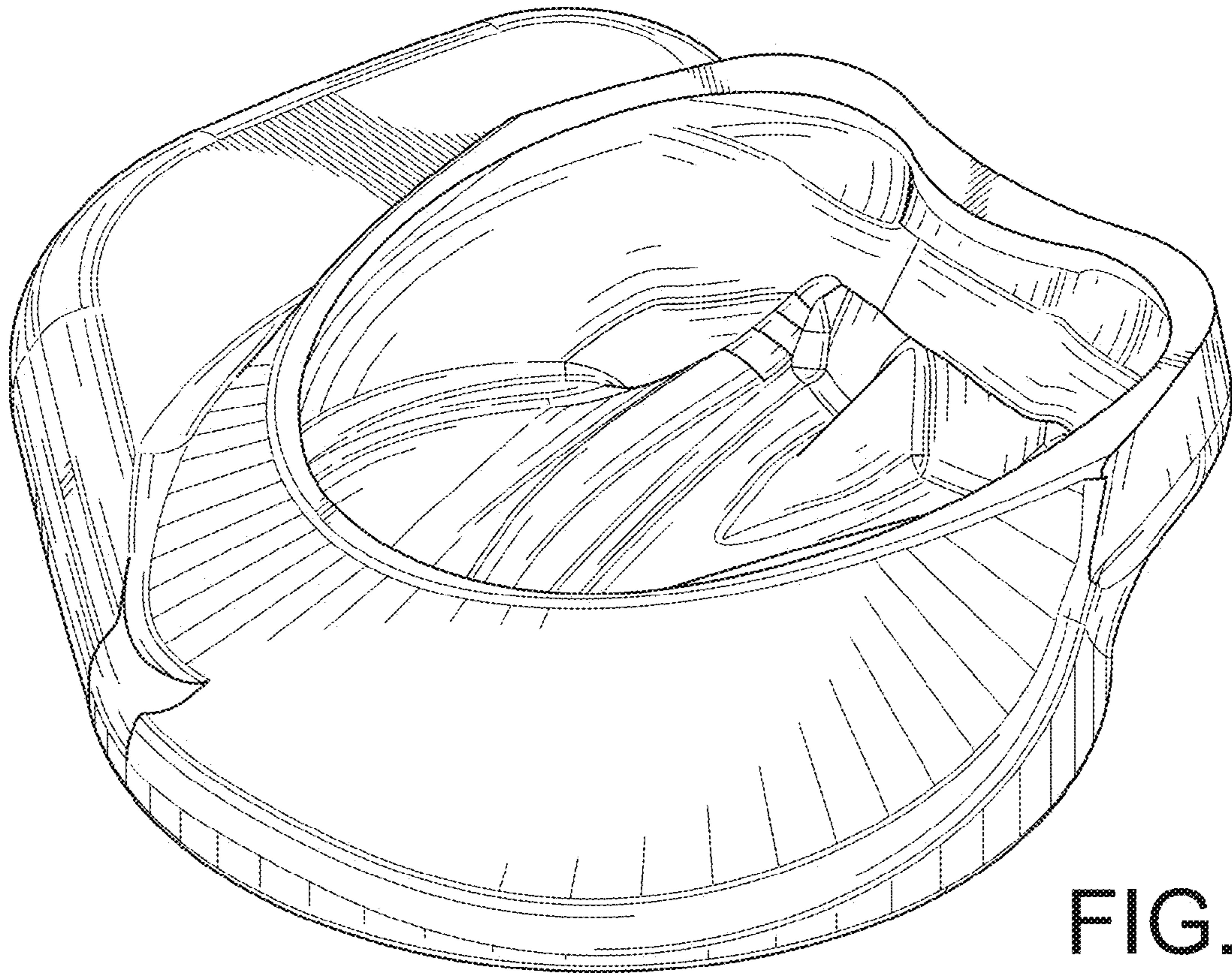


FIG. 1

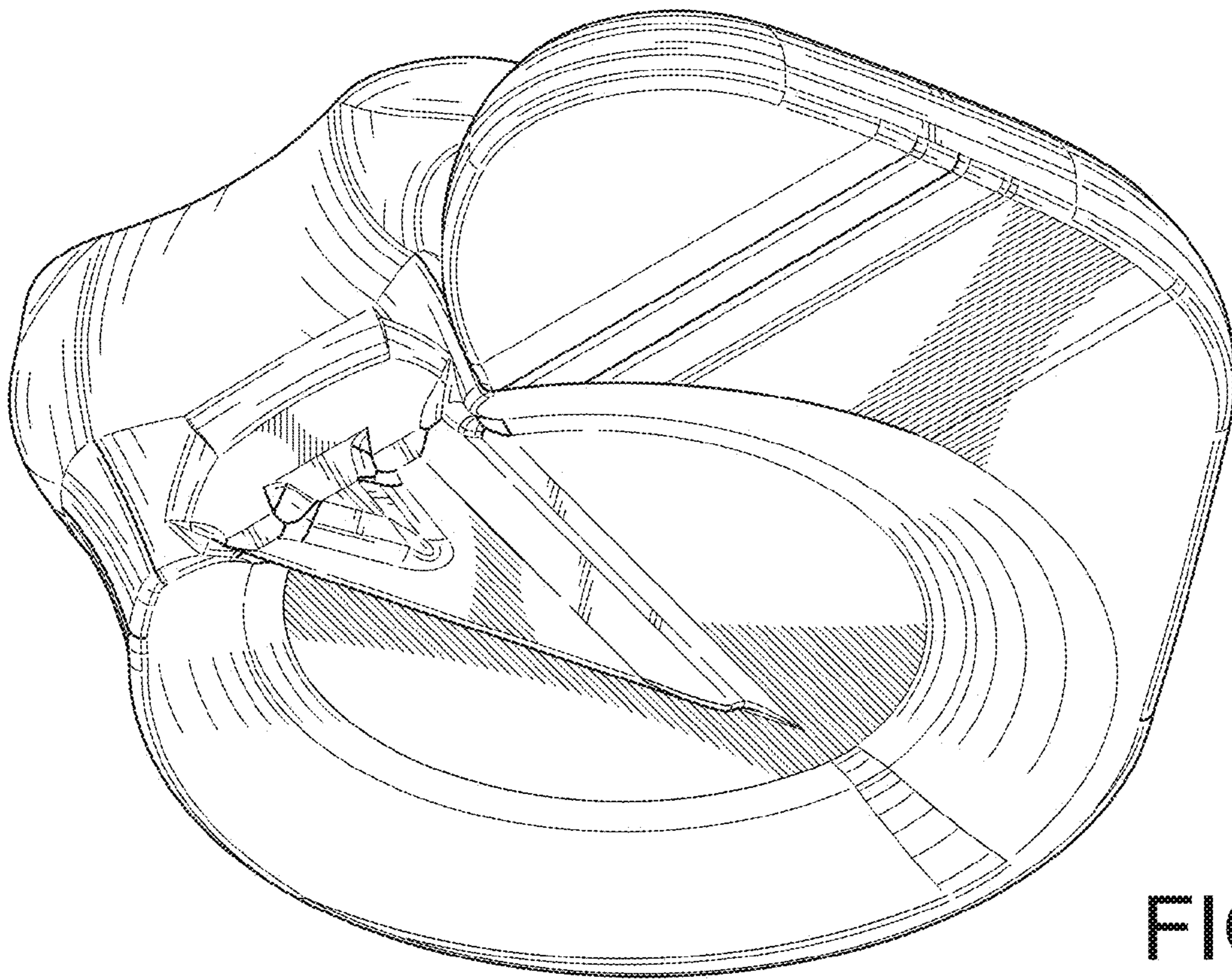


FIG. 2

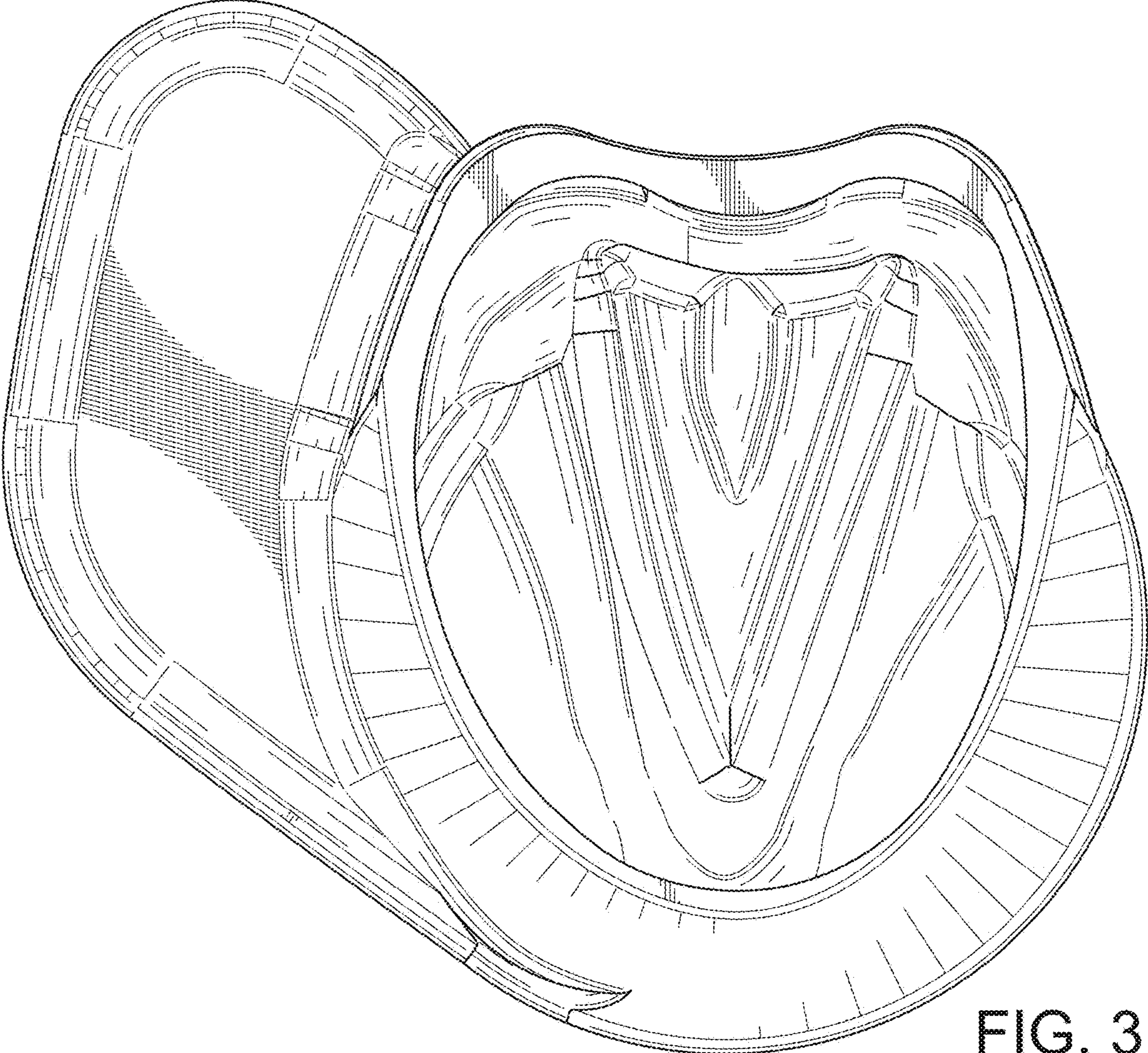
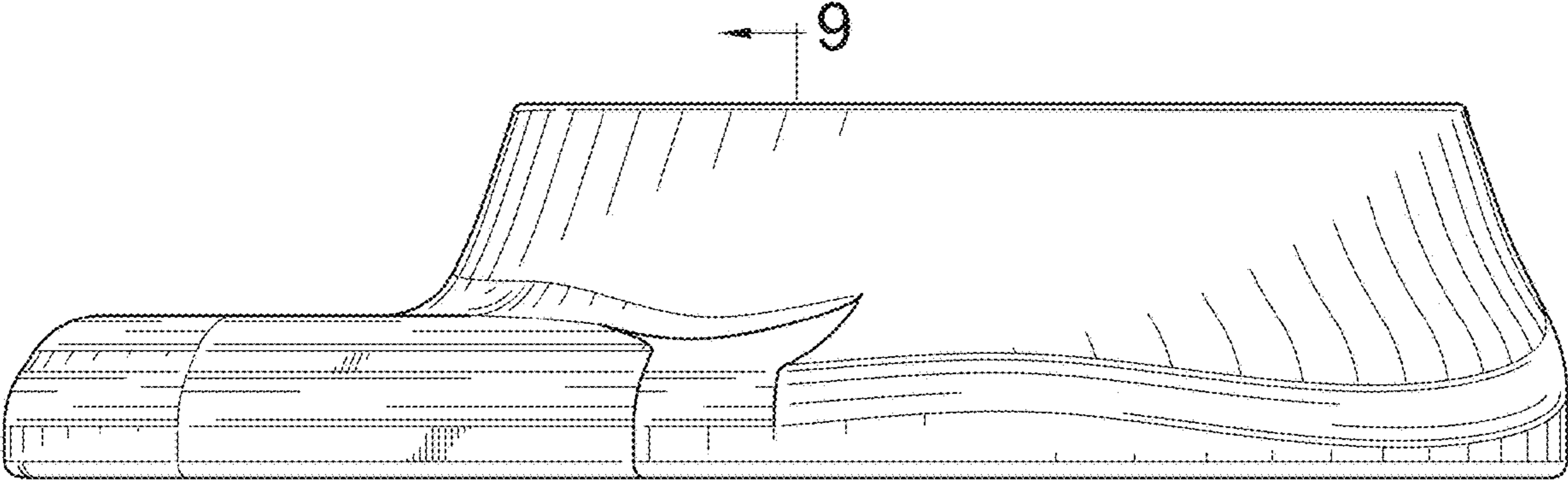


FIG. 3



9

FIG. 4

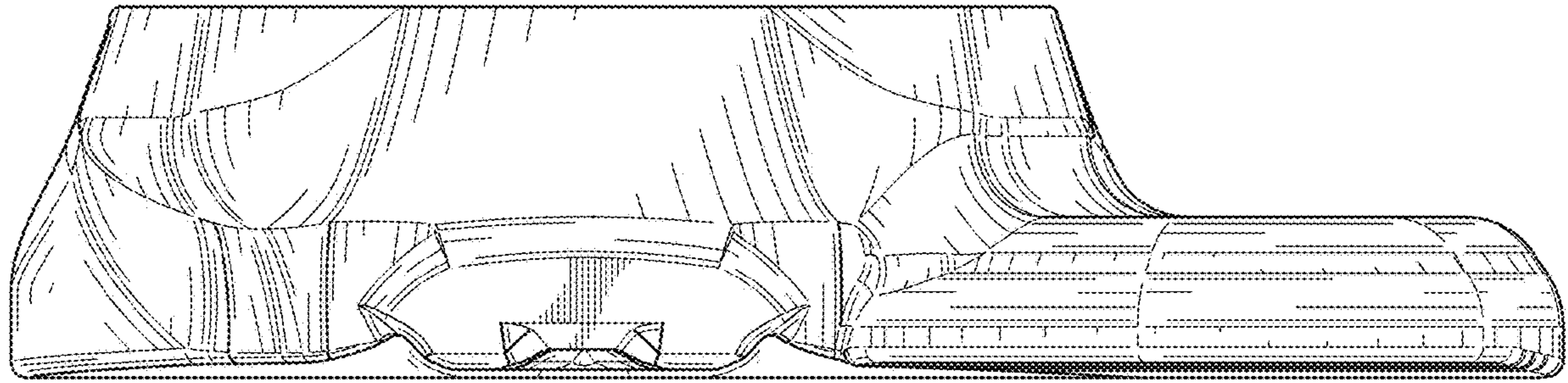


FIG. 5

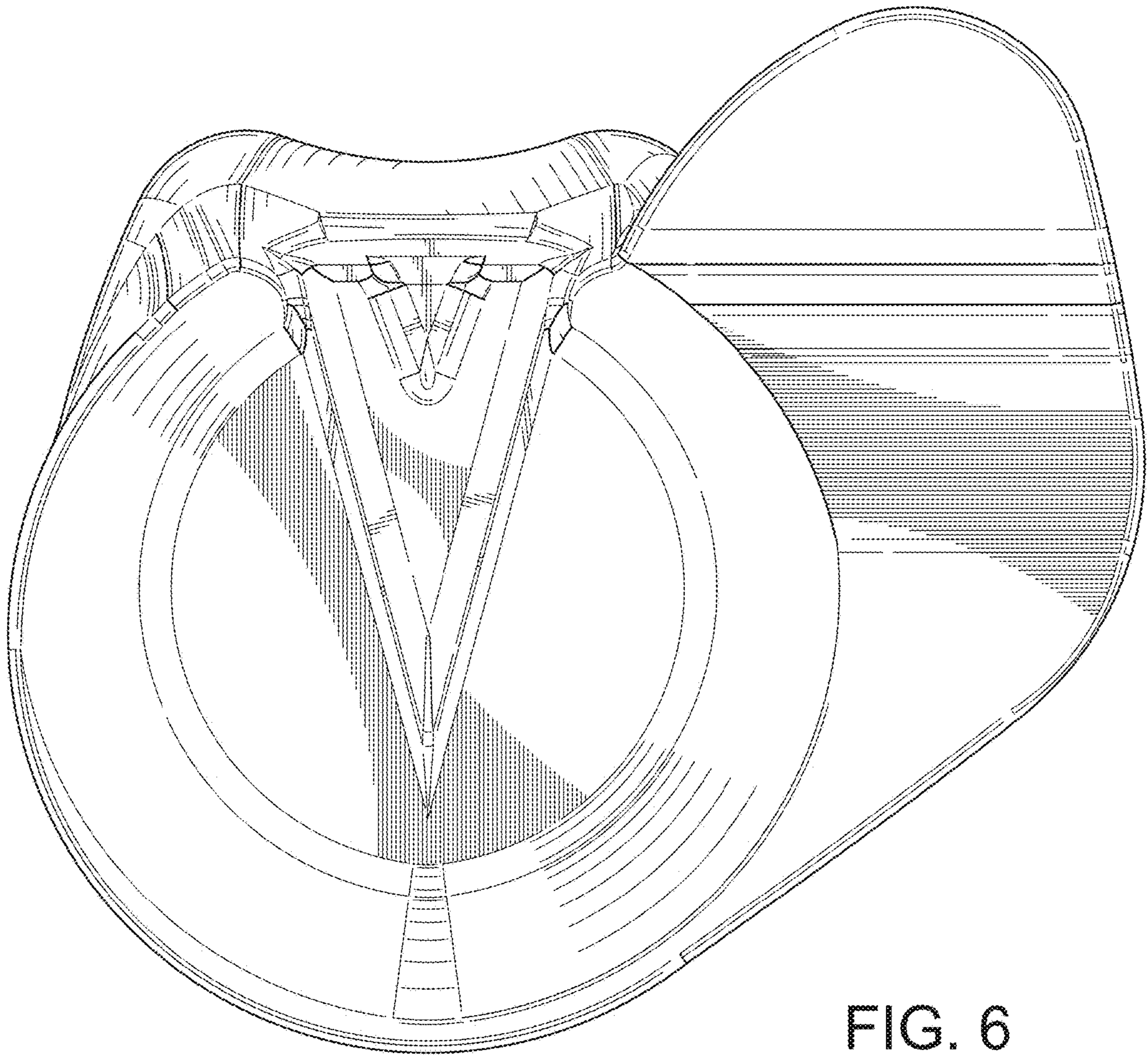


FIG. 6

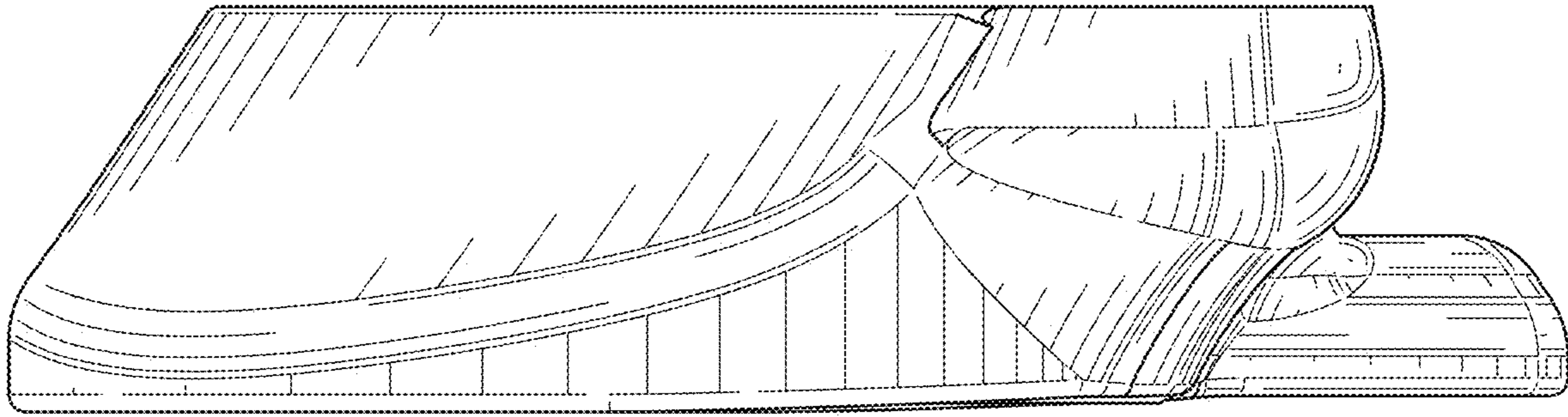


FIG. 7

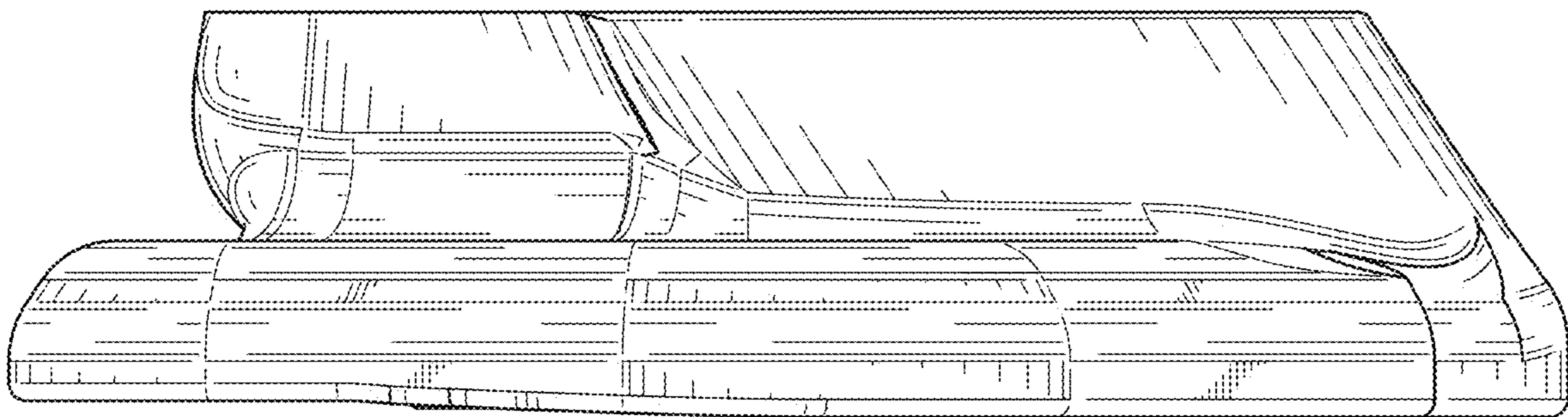


FIG. 8

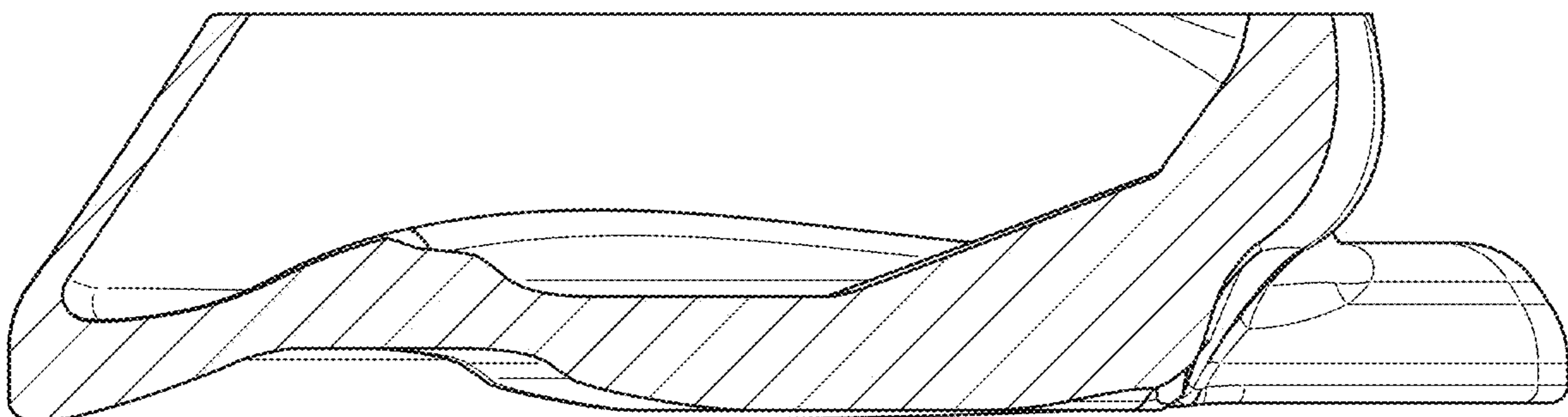


FIG. 9

UNITED STATES PATENT AND TRADEMARK OFFICE
CERTIFICATE OF CORRECTION

PATENT NO. : D901,788 S
APPLICATION NO. : 29/678676
DATED : November 10, 2020
INVENTOR(S) : Robert James Stevenson and Dimitrios Halabi Nicolaides

Page 1 of 1

It is certified that error appears in the above-identified patent and that said Letters Patent is hereby corrected as shown below:

On the Title Page

Description Section:

Figure 7, please replace "FIG. 7 is a left right view thereof" with --- FIG. 7 is a right view thereof; ---

Figure 8, please replace "FIG. 8 is a right left view thereof; and," with --- FIG. 8 is a left view thereof;
and, ---

Signed and Sealed this
Twenty-sixth Day of January, 2021



Drew Hirshfeld
*Performing the Functions and Duties of the
Under Secretary of Commerce for Intellectual Property and
Director of the United States Patent and Trademark Office*