



US00D901785S

(12) **United States Design Patent** (10) **Patent No.:** **US D901,785 S**  
**Penno** (45) **Date of Patent:** **\*\* Nov. 10, 2020**

(54) **EXPLOSION SUPPRESSION SYSTEM WITH MOUNTING SUPPORT THEREFOR**

(71) Applicant: **Rembe GmbH Safety + Control, Brilon (DE)**

(72) Inventor: **Stefan Penno, Brilon (DE)**

(73) Assignee: **REMBE GMBH SAFETY + CONTROL, Brilon (DE)**

(\*\*) Term: **15 Years**

(21) Appl. No.: **29/688,675**

(22) Filed: **Apr. 23, 2019**

(30) **Foreign Application Priority Data**

Oct. 23, 2018 (EM) ..... 005805397-0024  
Oct. 23, 2018 (EM) ..... 005805397-0026  
Oct. 23, 2018 (EM) ..... 005805397-0028  
Oct. 23, 2018 (EM) ..... 005805397-0030  
Oct. 23, 2018 (EM) ..... 005805397-0032

(51) **LOC (12) Cl.** ..... **29-01**

(52) **U.S. Cl.**  
USPC ..... **D29/125**

(58) **Field of Classification Search**  
USPC ..... D9/682-694; D15/7-9.3; D29/125-130  
CPC ..... A62C 35/00-68  
See application file for complete search history.

(56) **References Cited**

**U.S. PATENT DOCUMENTS**

277,127 A \* 5/1883 Gyles ..... A62C 37/10  
169/55  
1,925,228 A \* 9/1933 Bronander ..... A62C 35/605  
169/26  
D127,577 S \* 6/1941 Bishop ..... D29/126  
D155,456 S \* 10/1949 Seaberg ..... A62C 35/605  
D29/126

D171,531 S \* 2/1954 Cramer ..... A62C 37/10  
D9/600  
3,653,240 A \* 4/1972 Huthsing, Jr. .... B21D 22/16  
72/82  
5,992,528 A \* 11/1999 Parkinson ..... A62C 13/22  
169/26  
D591,910 S \* 5/2009 Rodriguez ..... D29/125  
D736,478 S \* 8/2015 Piegari ..... D29/125  
D759,902 S \* 6/2016 Kim ..... D29/125

\* cited by examiner

*Primary Examiner* — George D. Kirschbaum

*Assistant Examiner* — Joseph J Kukella

(74) *Attorney, Agent, or Firm* — Edell, Shapiro & Finnan, LLC.

(57) **CLAIM**

The ornamental design for an explosion suppression system with mounting support therefor, as shown and described.

**DESCRIPTION**

FIG. 1 is a front elevation view of an explosion suppression system.

FIG. 2 is a rear elevation view of the explosion suppression system of FIG. 1.

FIG. 3 is a left side elevation view of the explosion suppression system of FIG. 1.

FIG. 4 is a right side elevation view of the explosion suppression system of FIG. 1.

FIG. 5 is a top plan view of the explosion suppression system of FIG. 1.

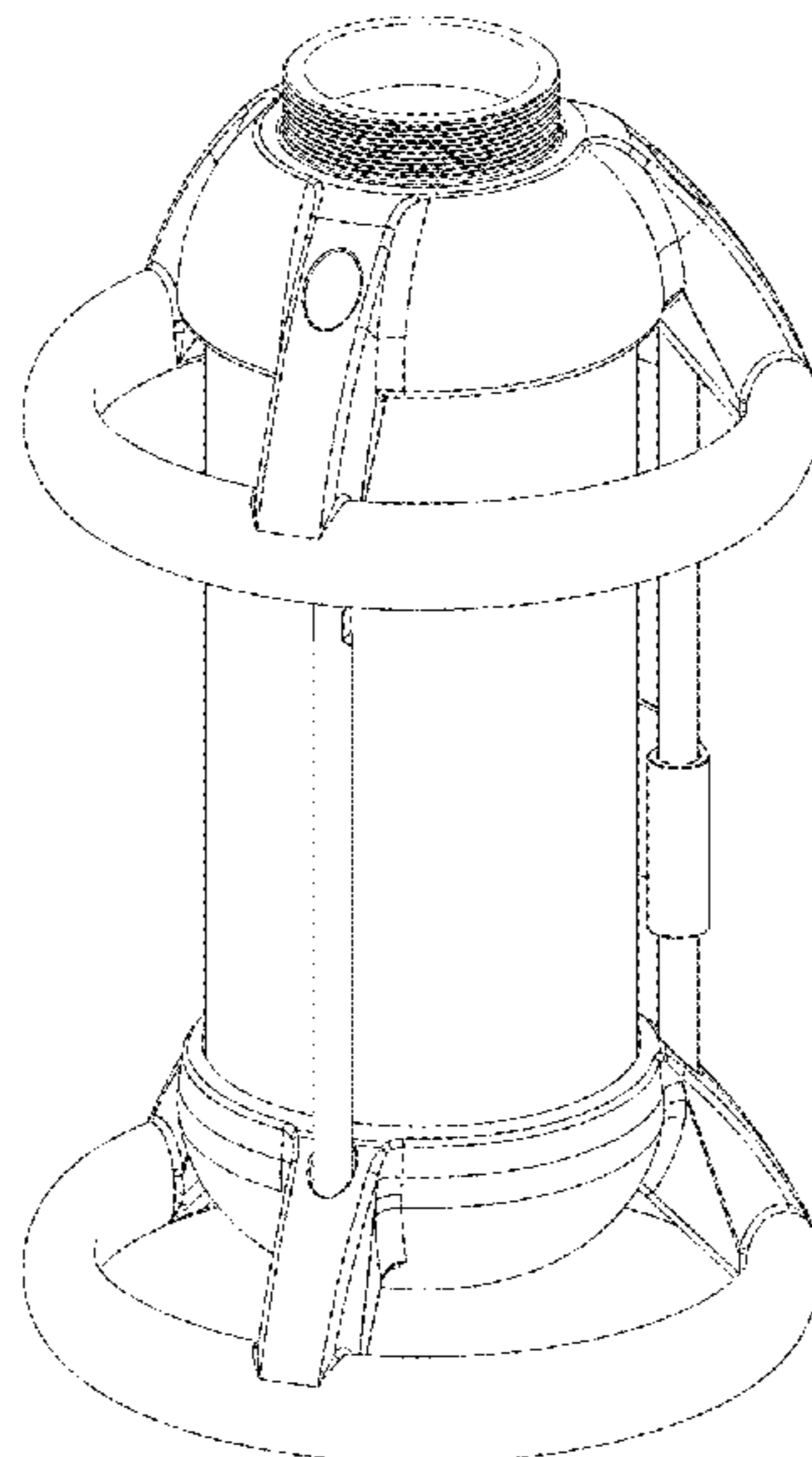
FIG. 6 is a bottom plan view of the explosion suppression system of FIG. 1.

FIG. 7 is a front, right perspective view from above of the explosion suppression system of FIG. 1.

FIG. 8 is a rear, right perspective view from above of the explosion suppression system of FIG. 1; and,

FIG. 9 is a rear, right perspective view from below of the explosion suppression system of FIG. 1.

**1 Claim, 8 Drawing Sheets**



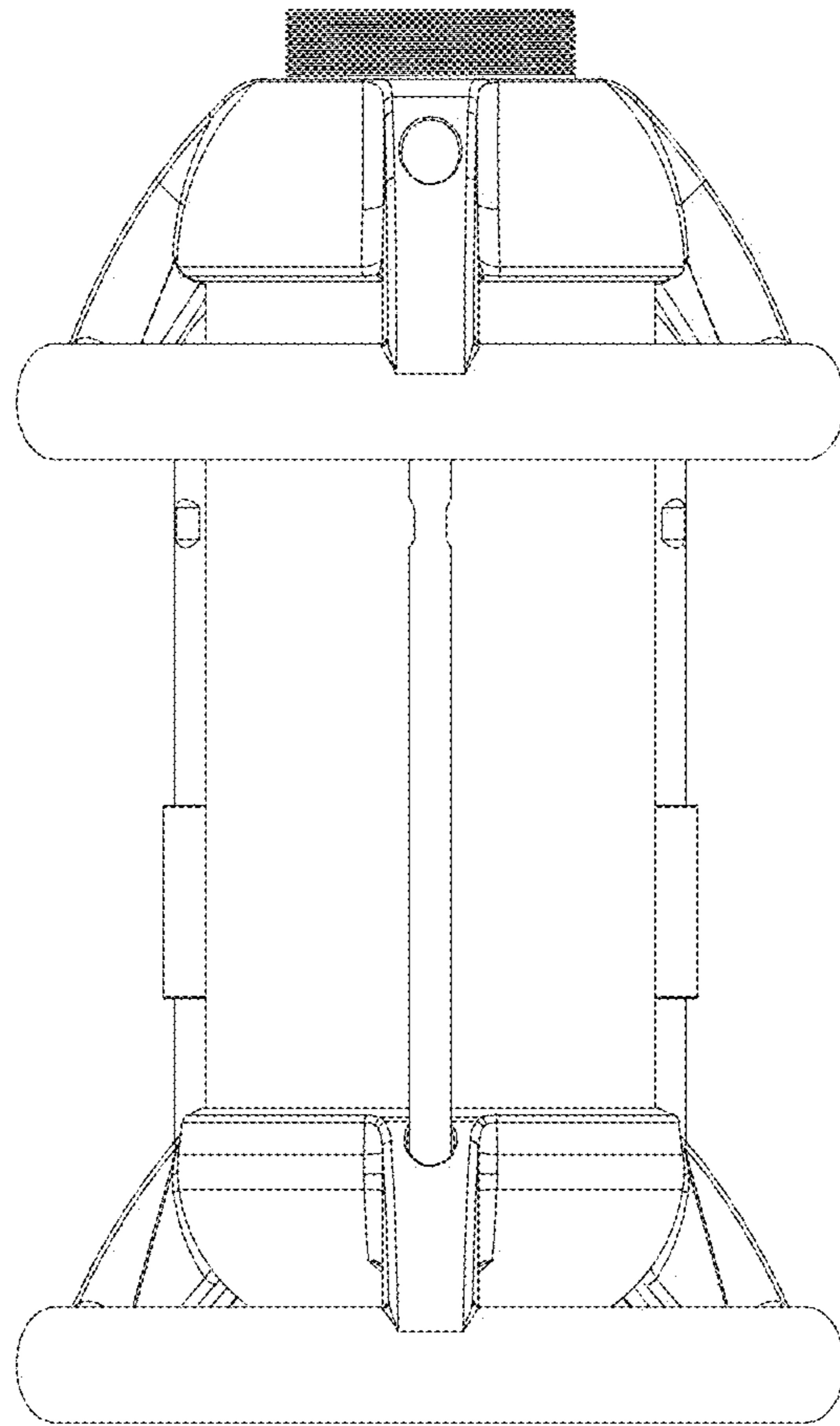


FIG. 1

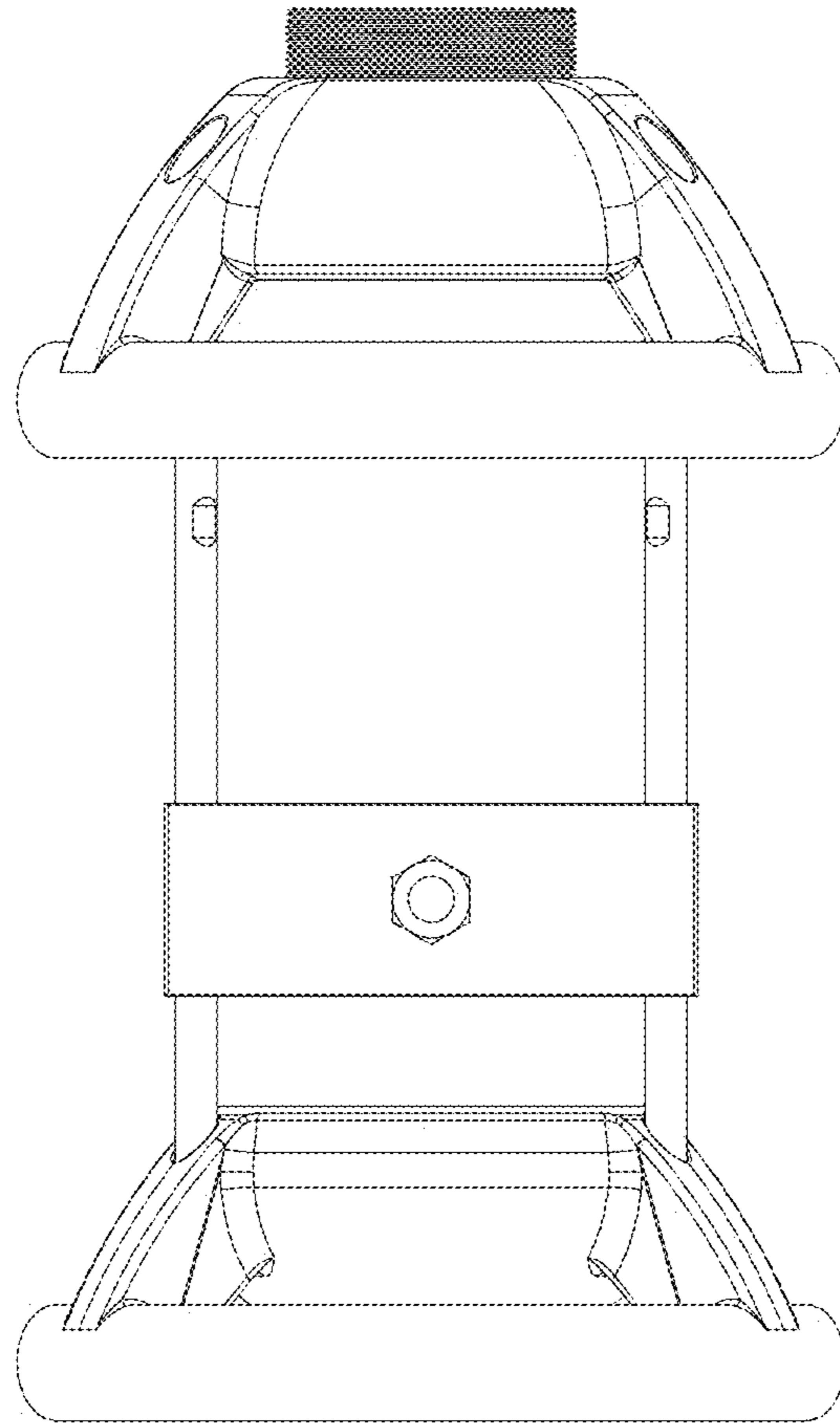


FIG. 2

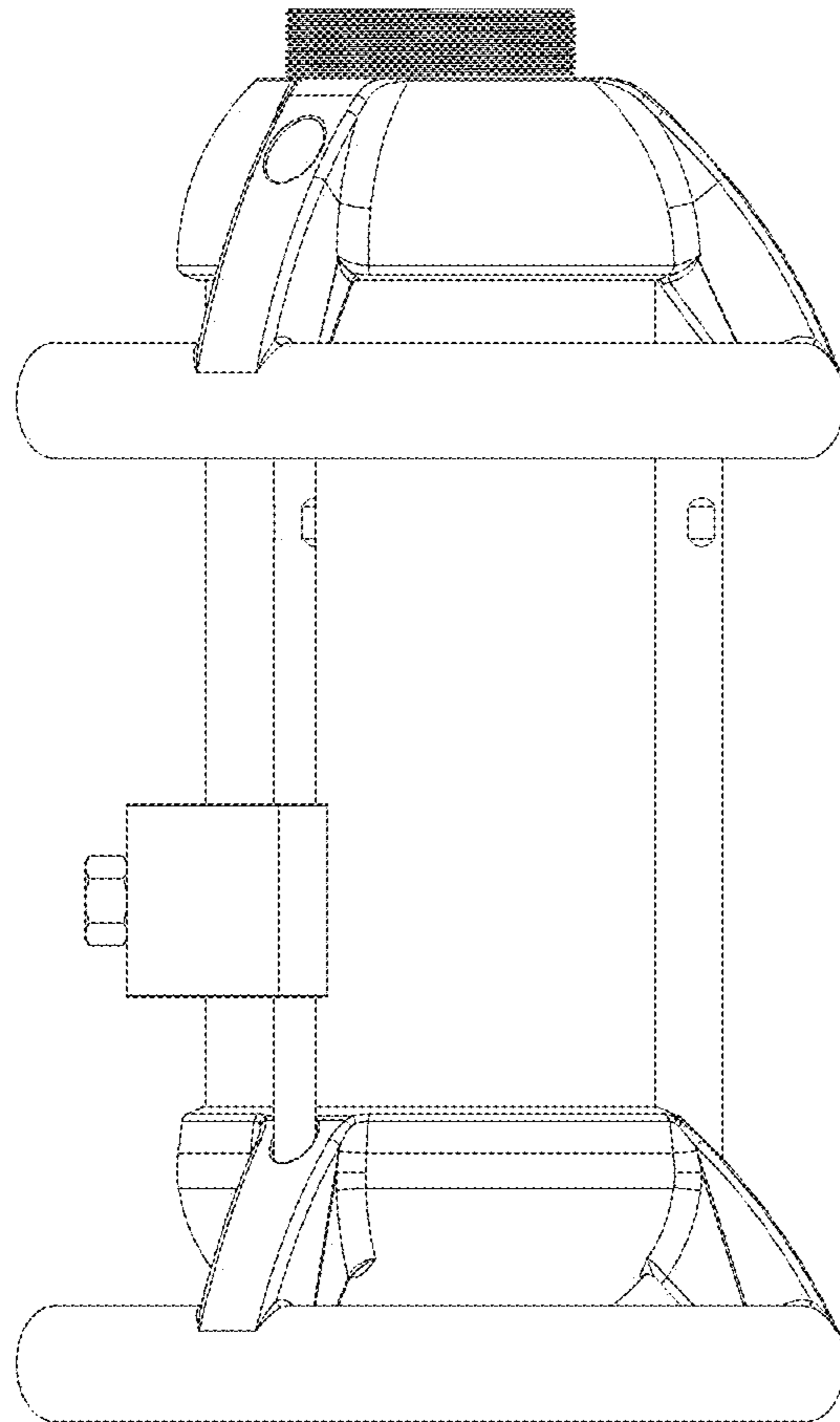


FIG. 3

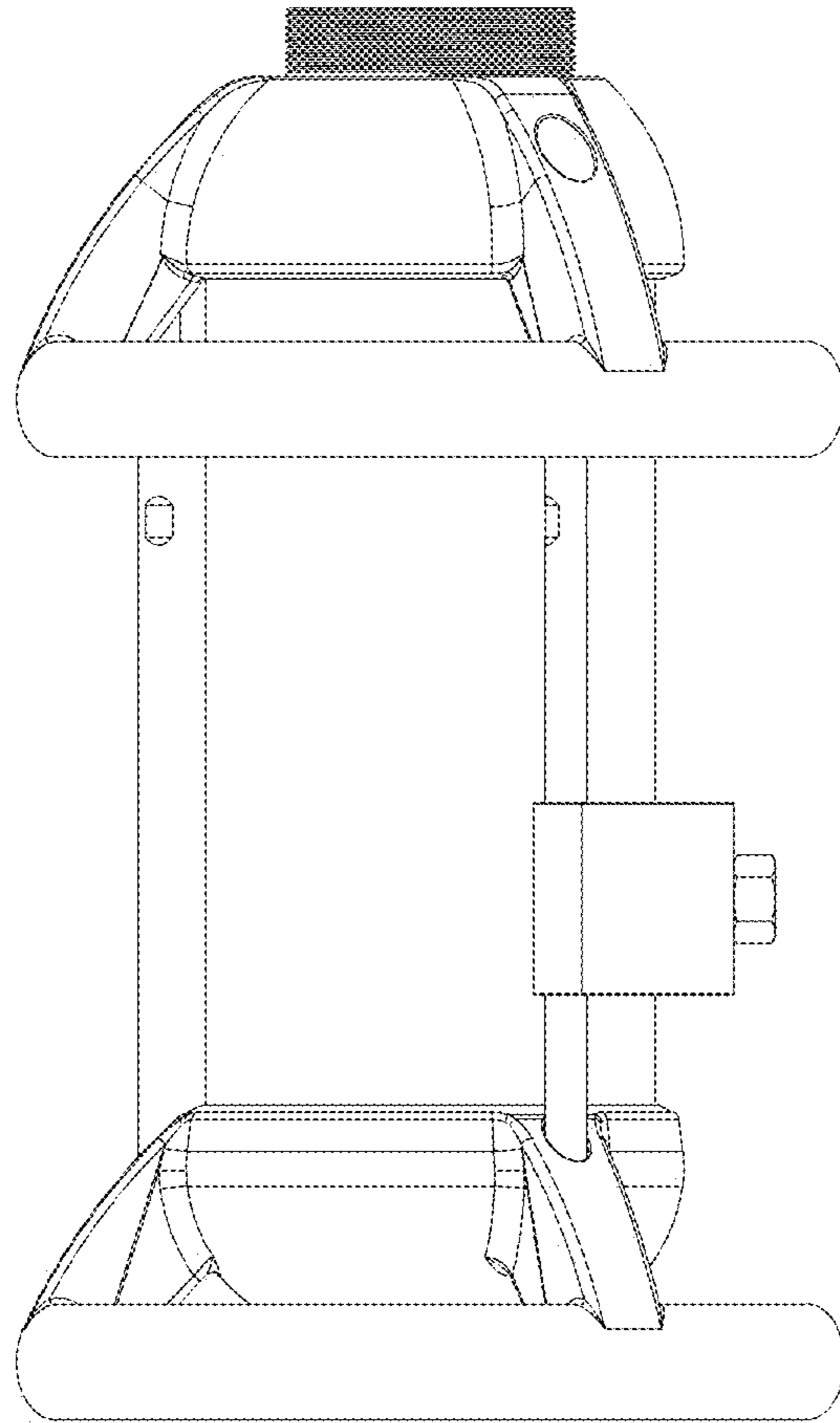


FIG. 4

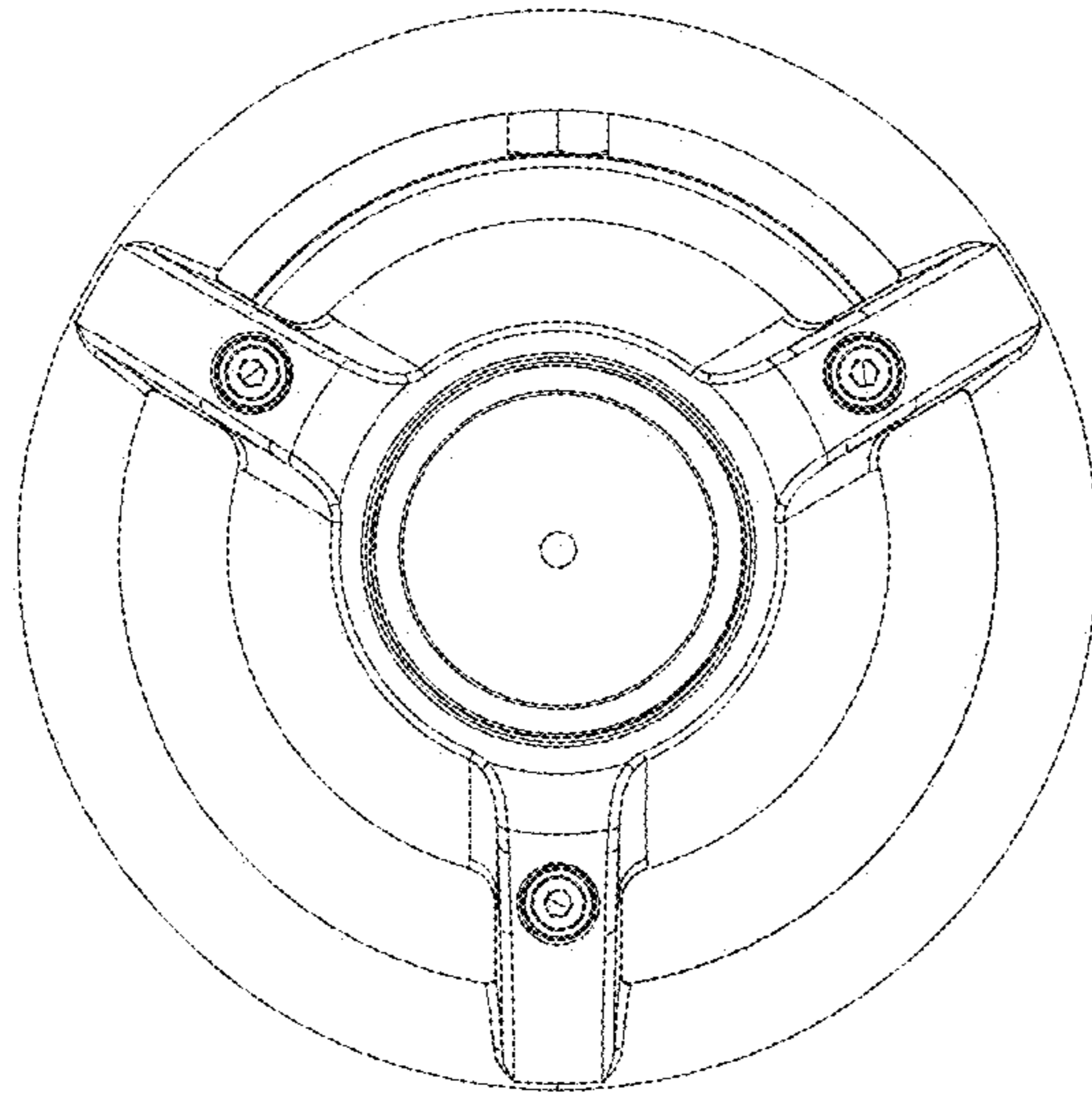


FIG. 5

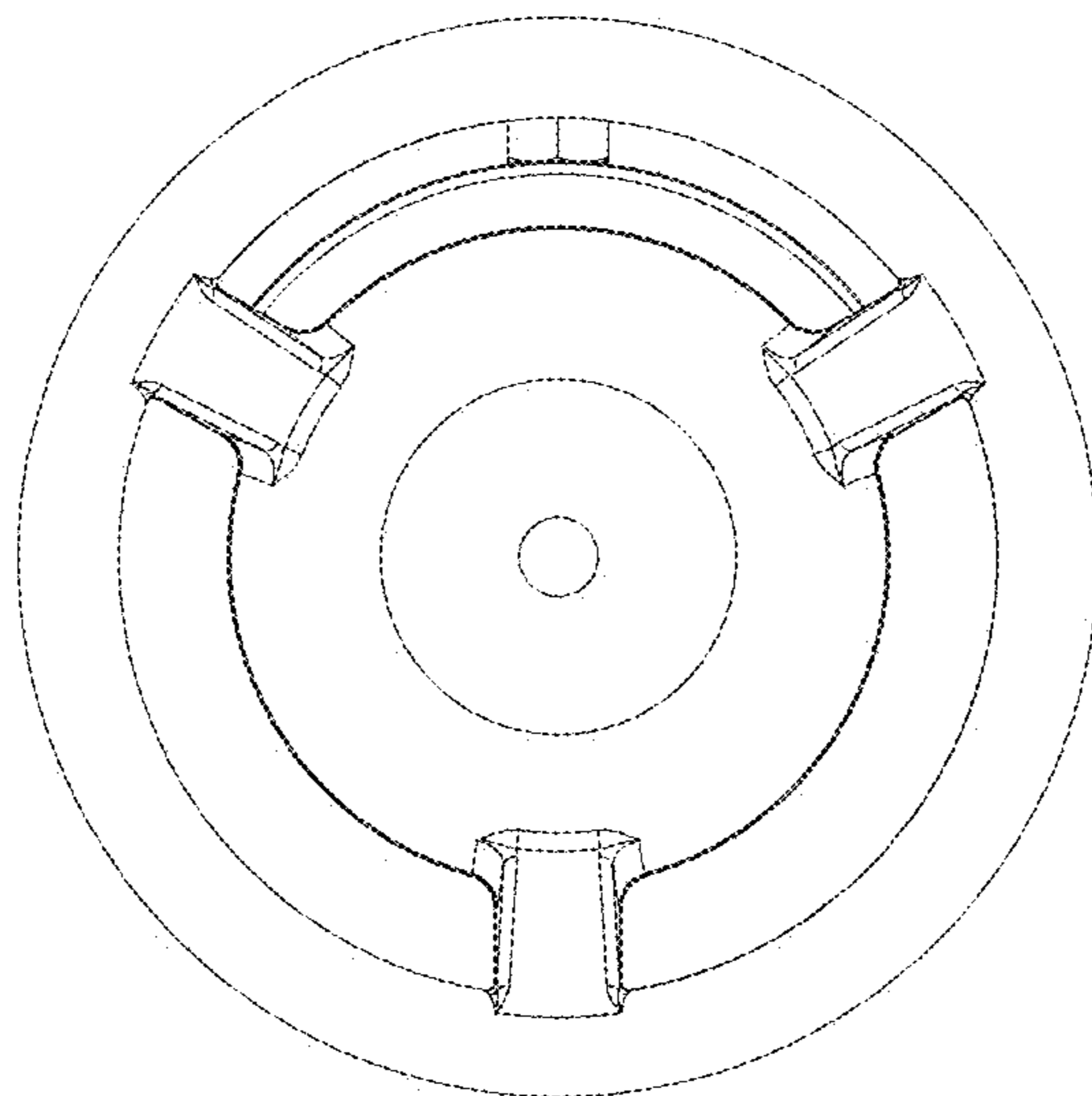


FIG. 6



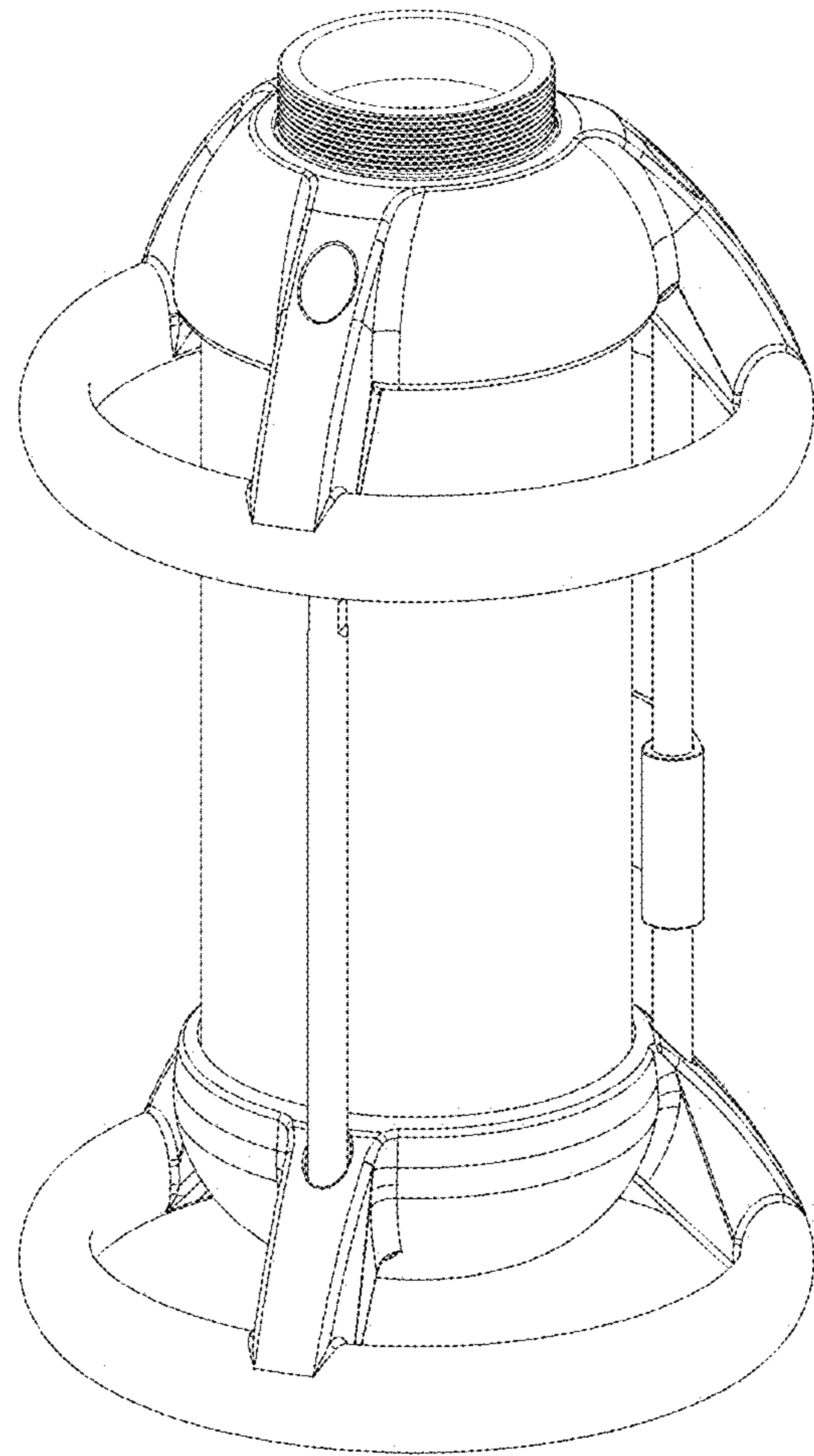


FIG. 7

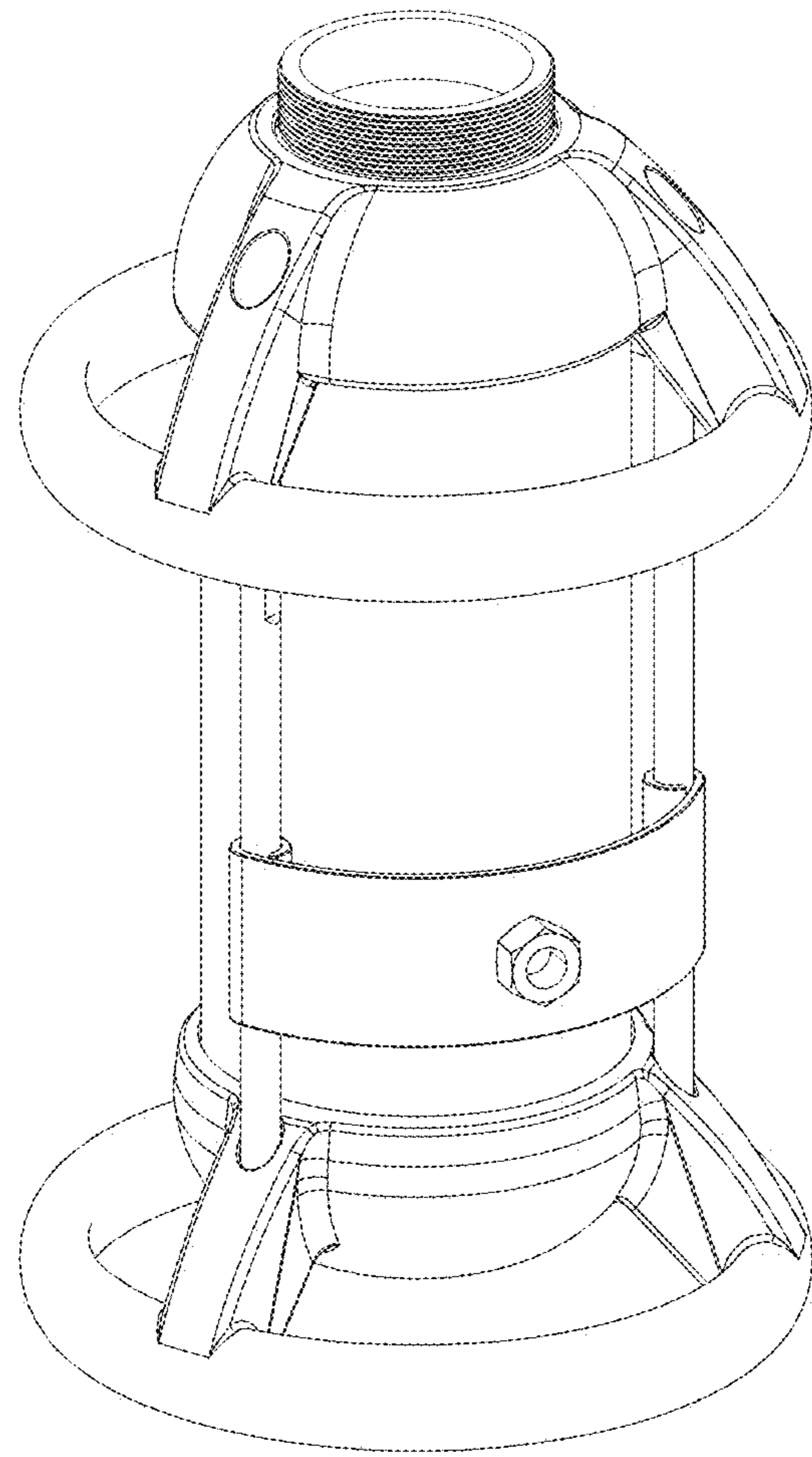


FIG. 8



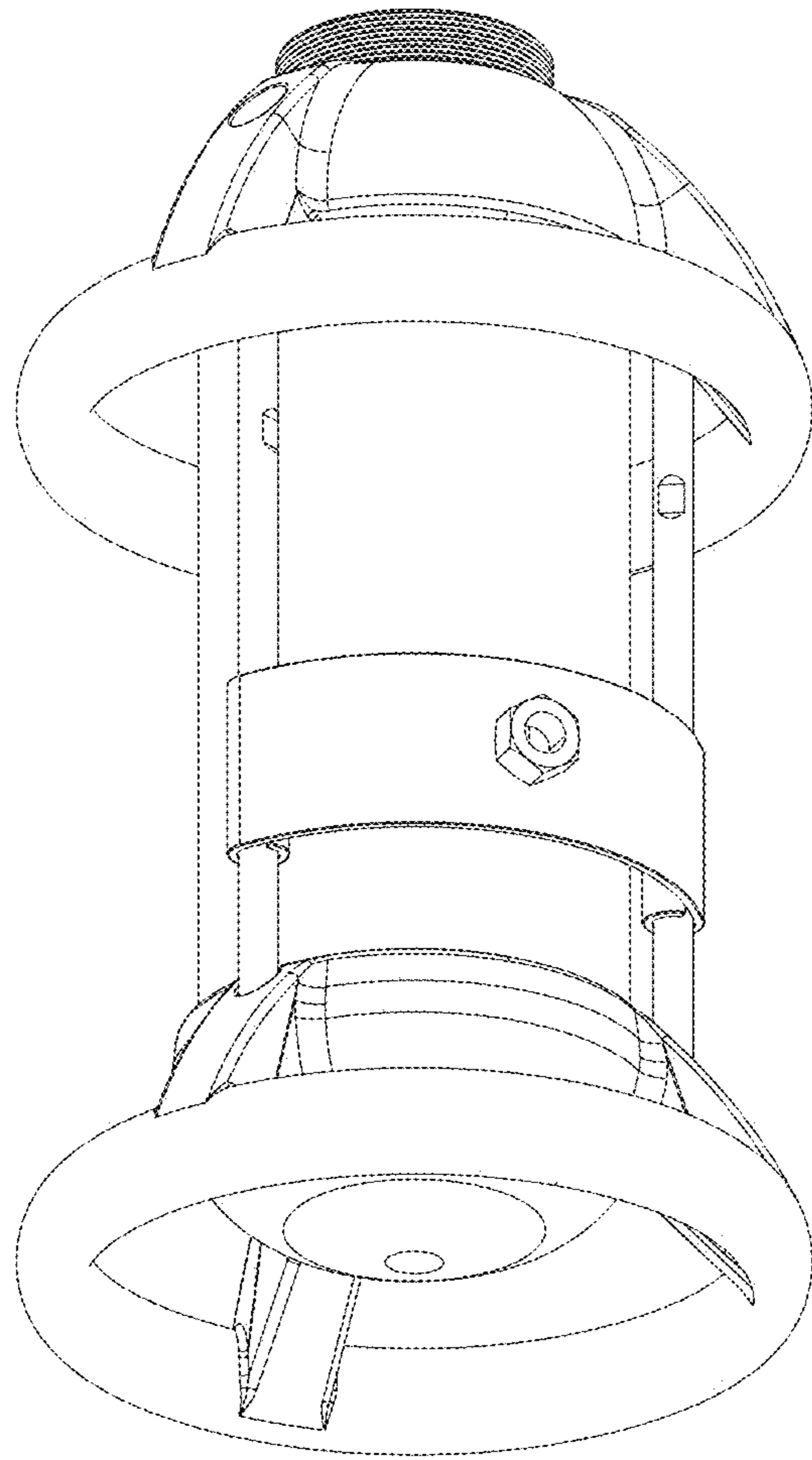


FIG. 9