



US00D901784S

(12) **United States Design Patent**  
**Nimura**

(10) **Patent No.:** **US D901,784 S**

(45) **Date of Patent:** **\*\* Nov. 10, 2020**

(54) **HELMET**

(71) Applicant: **SHOEI CO., LTD.**, Tokyo (JP)

(72) Inventor: **Taku Nimura**, Tokyo (JP)

(73) Assignee: **SHOEI CO., LTD.**, Tokyo (JP)

(\*\*) Term: **15 Years**

(21) Appl. No.: **29/658,030**

(22) Filed: **Jul. 27, 2018**

(30) **Foreign Application Priority Data**

May 7, 2018 (JP) ..... 2018-009902

(51) **LOC (12) Cl.** ..... **02-99**

(52) **U.S. Cl.**  
USPC ..... **D29/122**

(58) **Field of Classification Search**

USPC ..... D29/102-107, 122

CPC ..... A42B 3/04; A42B 3/0406; A42B 3/0493;

A42B 3/06; A42B 3/069; A42B 3/18;

A42B 3/185; A42B 3/20; A42B 3/22;

A42B 3/221; A42B 3/222; A42B 3/225;

A42B

(Continued)

(56) **References Cited**

**U.S. PATENT DOCUMENTS**

5,890,233 A 4/1999 Kaffka

D419,670 S 1/2000 Pollard

(Continued)

**FOREIGN PATENT DOCUMENTS**

CN 305309419 S 8/2019

**OTHER PUBLICATIONS**

Review: Shoei Neotec II (on-line), dated Oct. 3, 2018. Retrieved from Internet Jul. 6, 2020, URL: [https://www.womenridersnow.com/pages/Review\\_Shoei\\_Neotec\\_II\\_Sena\\_SRL\\_Communication\\_System.aspx](https://www.womenridersnow.com/pages/Review_Shoei_Neotec_II_Sena_SRL_Communication_System.aspx) (10 pages) (Year: 2018).\*

(Continued)

*Primary Examiner* — Kimberly Barnes

(74) *Attorney, Agent, or Firm* — Cantor Colburn LLP

(57) **CLAIM**

The ornamental design for a helmet, as shown and described.

**DESCRIPTION**

FIG. 1 is a front view of a helmet showing my new design;

FIG. 2 is a rear view thereof;

FIG. 3 is a top plan view thereof;

FIG. 4 is a bottom plan view thereof;

FIG. 5 is a right side view thereof;

FIG. 6 is an enlarged perspective view of the claimed part and its surrounding areas as seen from the rear and bottom of the helmet;

FIG. 7 is a rear view thereof with a cover removed;

FIG. 8 is a bottom plan view thereof with the cover removed;

FIG. 9 is a right side view thereof with the cover removed;

FIG. 10 is an enlarged perspective view similar to FIG. 6 but with the cover removed;

FIG. 11 is an enlarged rear perspective view of the cover;

FIG. 12 is an enlarged front view of the cover;

FIG. 13 is an enlarged top plan view of the cover;

FIG. 14 is an enlarged bottom plan view of the cover;

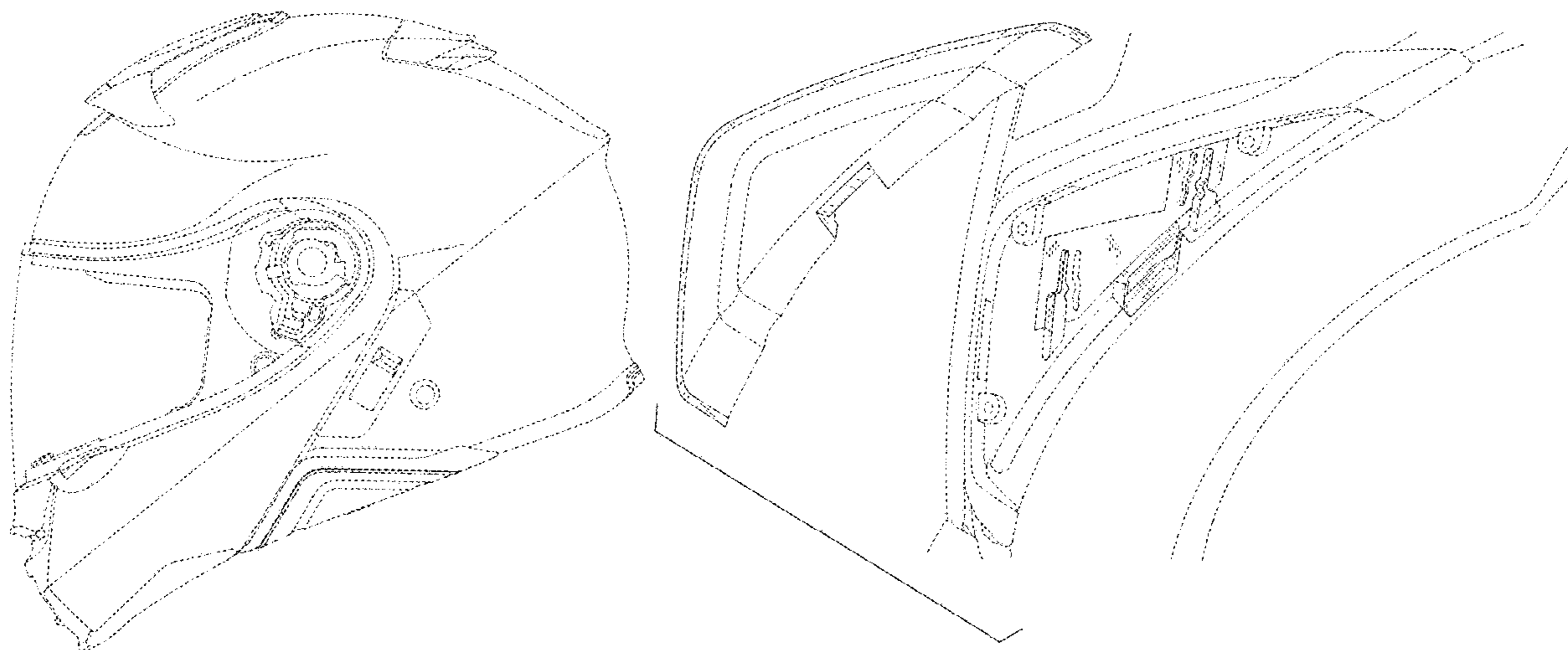
FIG. 15 is an enlarged right side view of the cover;

FIG. 16 is an enlarged left side view of the cover; and,

FIG. 17 is an enlarged perspective view similar to FIG. 10 and with an exploded view of the cover removed therefrom.

The broken lines illustrate portions of the helmet that form no part of the claimed design. The dash-dotted lines denote the boundary of the claim and form no part of the claimed design.

**1 Claim, 17 Drawing Sheets**



(58) **Field of Classification Search**  
 CPC ..... 3/227; A42B 3/10; A42B 3/145; A42B  
 3/223; A42B 3/226  
 See application file for complete search history.

(56) **References Cited**

U.S. PATENT DOCUMENTS

6,491,390	B1	12/2002	Provost	
D485,948	S	1/2004	Yi	
7,065,798	B2	6/2006	Kuo	
D571,507	S	6/2008	Murakami	
D578,207	S	10/2008	D'Souza et al.	
D602,206	S	10/2009	Kim	
D622,005	S	8/2010	Shida	
D627,520	S	11/2010	Choi	
D673,734	S	1/2013	Hwang	
8,631,512	B2	1/2014	Stachler et al.	
8,696,112	B1	4/2014	Vaught	
8,813,270	B2*	8/2014	Pizzi	A42B 3/223 2/453
D738,049	S	9/2015	Gee	
D739,609	S*	9/2015	Kimura	D29/107
D740,496	S	10/2015	Noordzij et al.	
D747,556	S*	1/2016	Fujita	D29/107
D749,270	S*	2/2016	Lee	D29/107
D749,789	S	2/2016	Lee	
D749,790	S	2/2016	Wako	
D751,767	S*	3/2016	Shida	D29/107
D767,214	S	9/2016	Shida et al.	
D786,508	S	5/2017	Ricket et al.	
D816,209	S	4/2018	Castiglione	
D819,892	S	6/2018	Lee	
9,999,546	B2	6/2018	Gardner et al.	
10,016,008	B2*	7/2018	Sommers	A42B 3/145
D830,643	S*	10/2018	Nimura	D29/122
D831,893	S*	10/2018	Salvetti	D29/102
D833,083	S*	11/2018	Feher	D29/107

D835,850	S*	12/2018	Wako	D29/106
D836,254	S*	12/2018	Nimura	D29/107
D838,917	S*	1/2019	Murakami	D29/107
D838,918	S*	1/2019	Salvetti	D29/107
D841,256	S*	2/2019	Salvetti	D29/107
10,212,982	B2*	2/2019	Nimura	A42B 3/22
D843,663	S*	3/2019	Locatelli	D29/107
D845,553	S*	4/2019	Tang	D29/107
D849,329	S*	5/2019	Tang	D29/107
D853,042	S*	7/2019	Lee	D29/107
D858,003	S*	8/2019	Nimura	D29/122
D859,748	S	9/2019	Lee	
D868,388	S*	11/2019	Nimura	D29/122
D884,980	S*	5/2020	Murakami	D29/107
10,660,392	B2*	5/2020	Nimura	A42B 3/226
2017/0215508	A1*	8/2017	Salvetti	A42B 3/223
2020/0146387	A1*	5/2020	Nimura	A42B 3/04

OTHER PUBLICATIONS

Shoei Neotec 2 Helmet Review (on-line), dated Nov. 12, 2017. Retrieved from Internet Jul. 6, 2020, URL: <https://www.motolegends.com/reviews/Shoei-Neotec-2-Helmet-Review> (6 pages) (Year: 2017).\*

Shoei Neotec II Modular Helmet (on-line), dated Jul. 5, 2018. Retrieved from Internet Jul. 6, 2020, URL: <https://ridermagazine.com/2018/07/05/shoei-neotec-ii-modular-helmet-review-2/> (3 pages) (Year: 2018).\*

Notice of Allowance and Fee(s) Due issued in U.S. Appl. No. 29/658,029, dated Aug. 27, 2019; 12 pages.

Notice of Allowance issued in U.S. Appl. No. 29/658,031 dated Apr. 8, 2019; 6 pages.

Shoei, GT Air 2 Review (on-line), dated Dec. 19, 2018. Retrieved from Internet Jul. 2, 2020, URL: <https://www.motolegends.com/reviews/Shoei-GT-Air-2-helmet-review> (11 pages) (Year: 2018).

Notice of Allowance issued in U.S. Appl. No. 29/658,027 dated Jul. 10, 2020; 18 pages.

\* cited by examiner

FIG.1

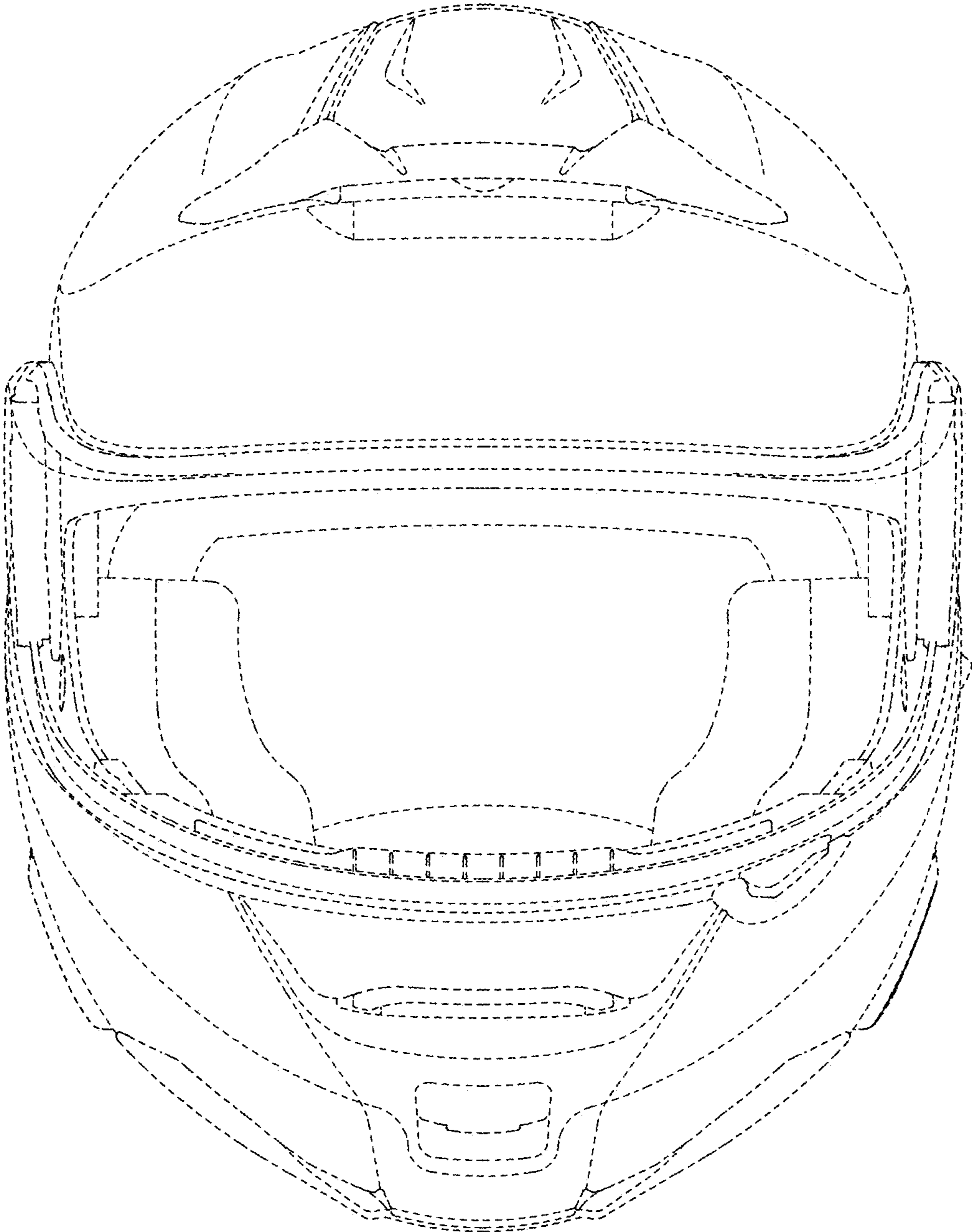


FIG.2

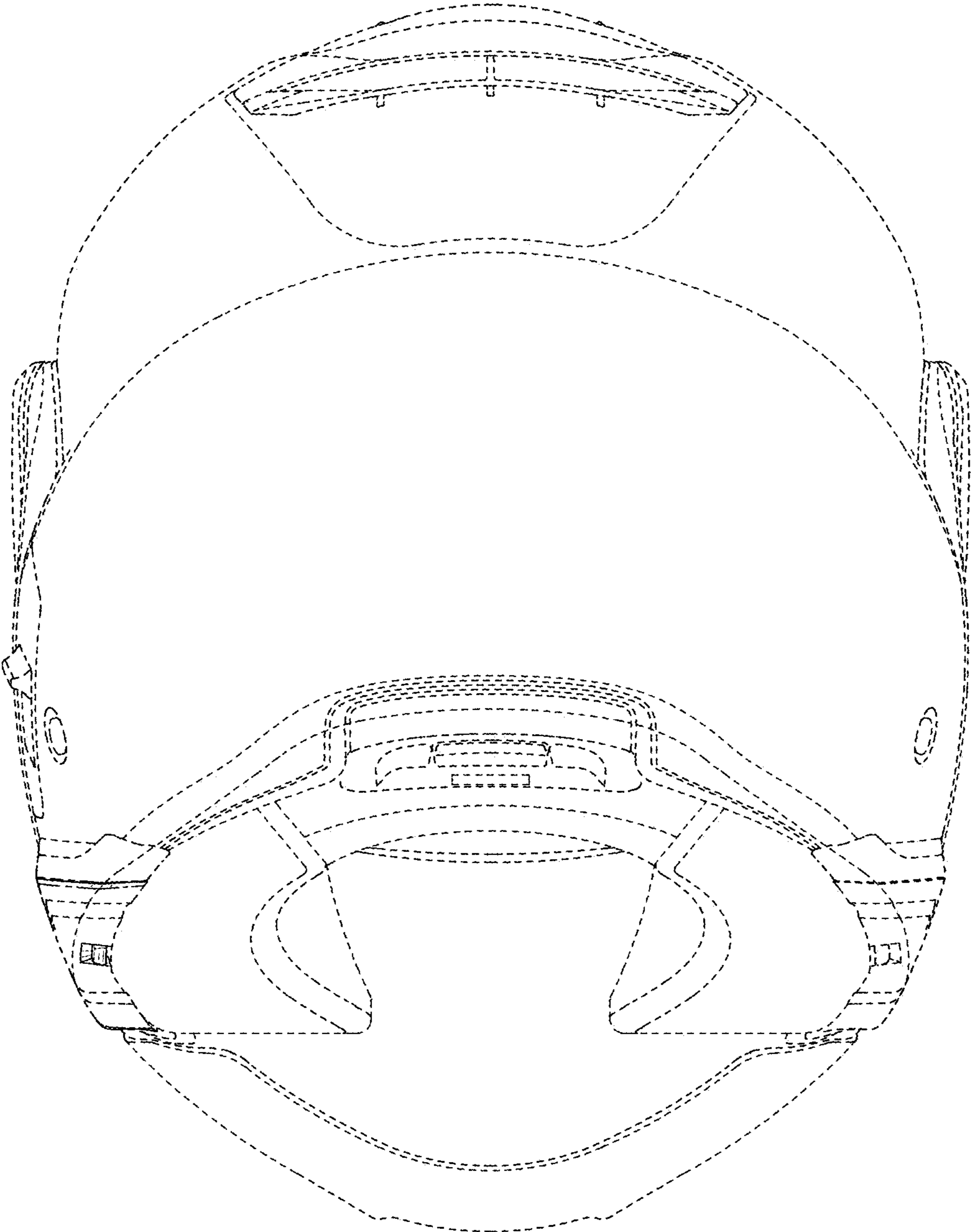


FIG.3

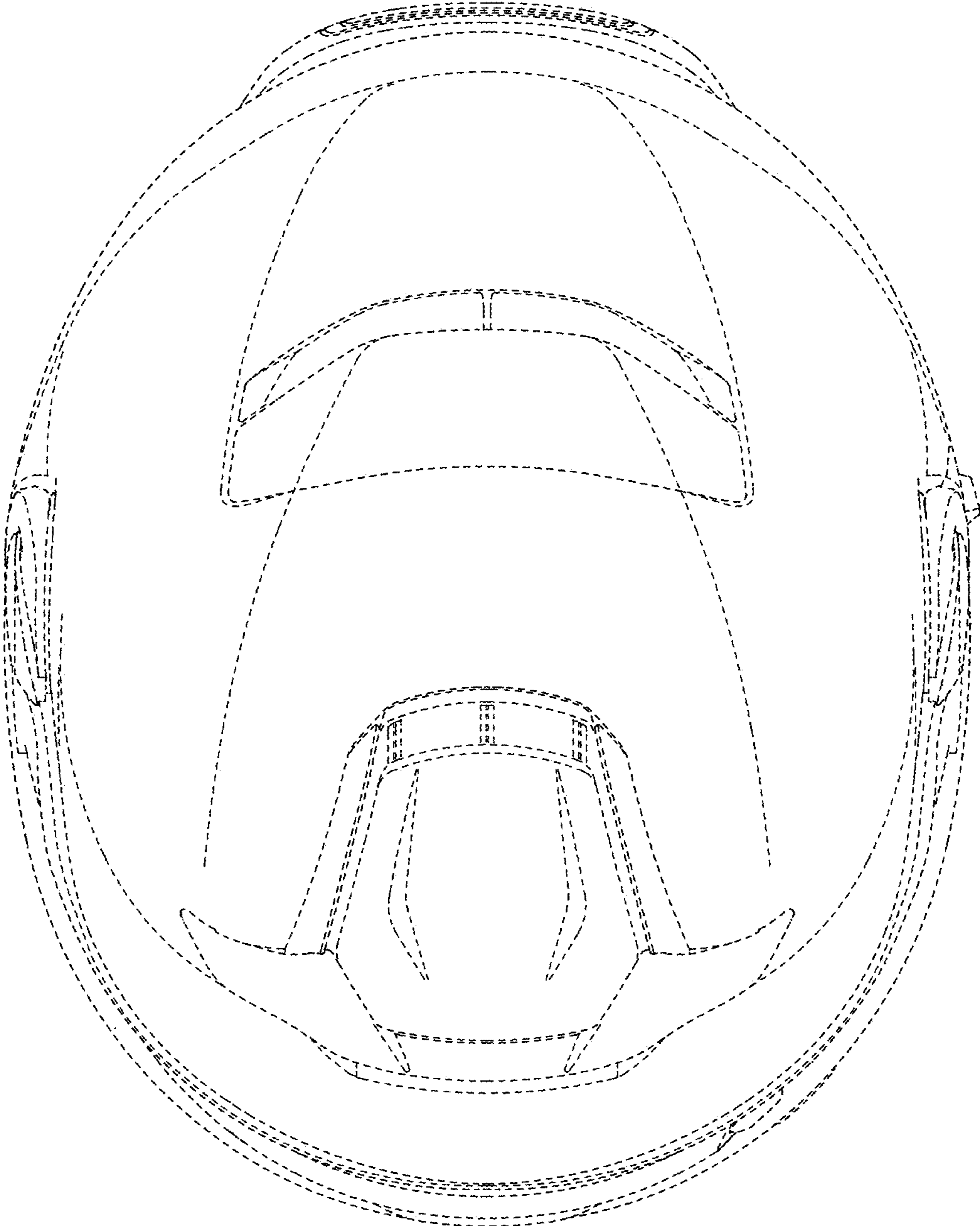


FIG.4

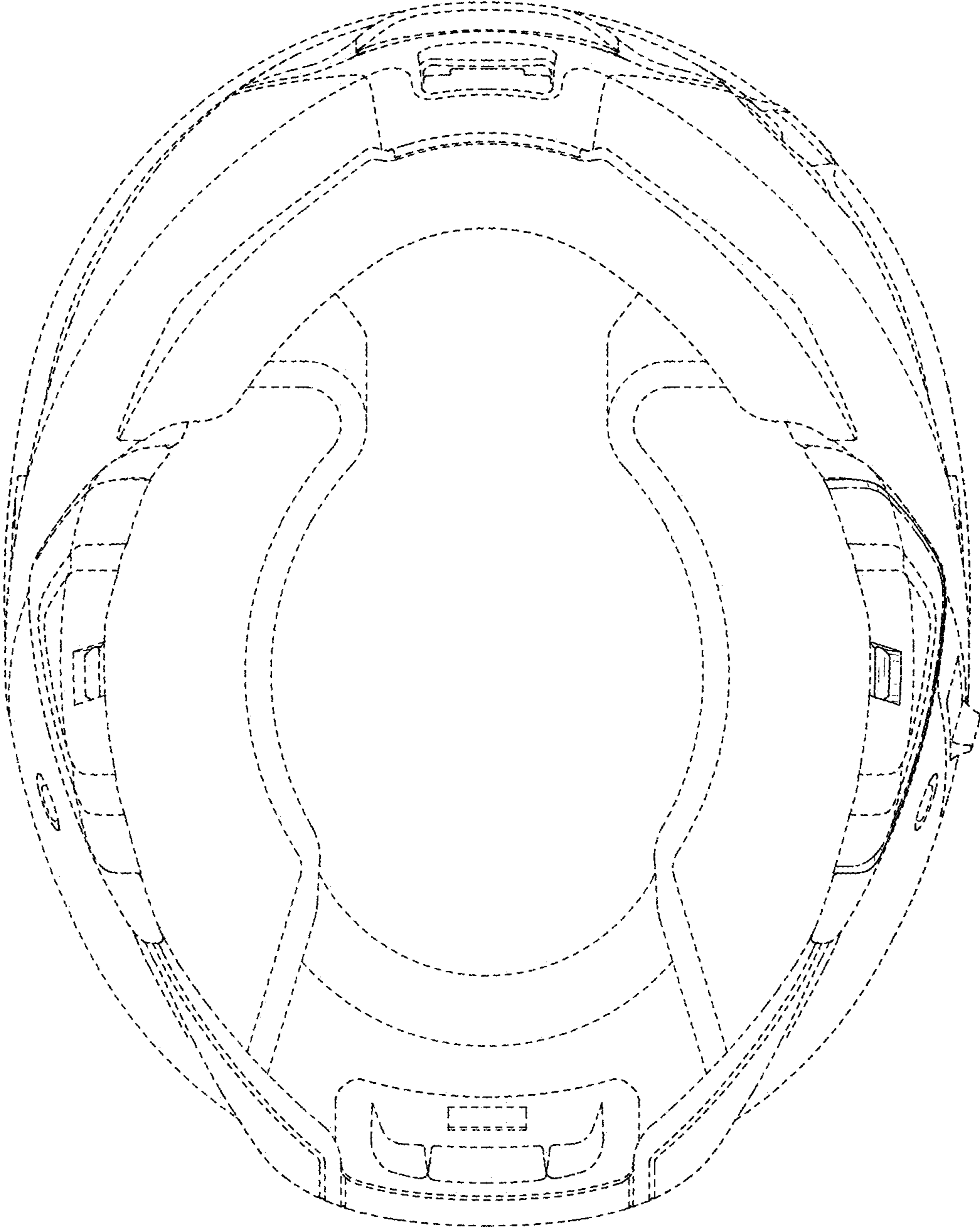
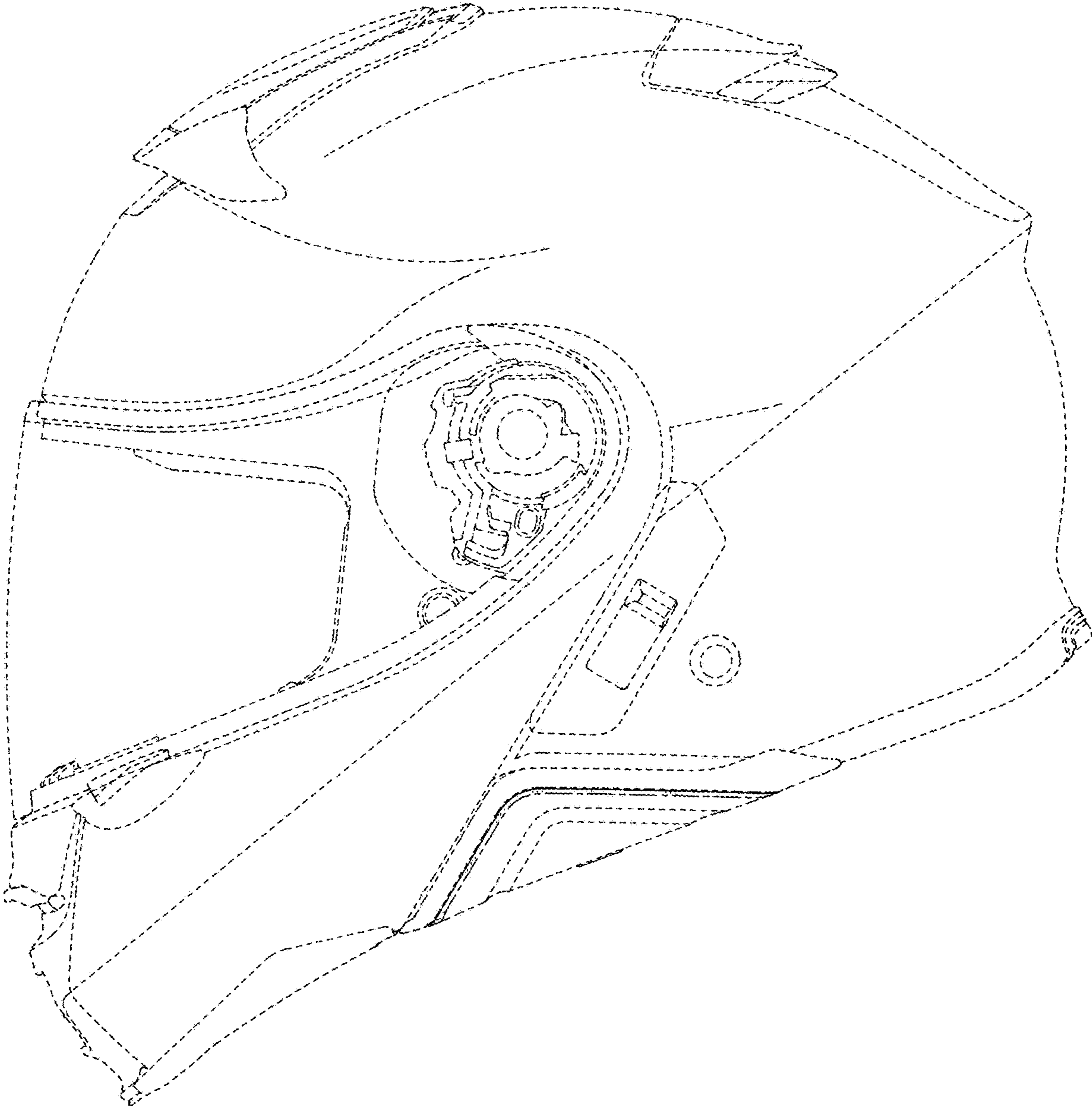


FIG.5



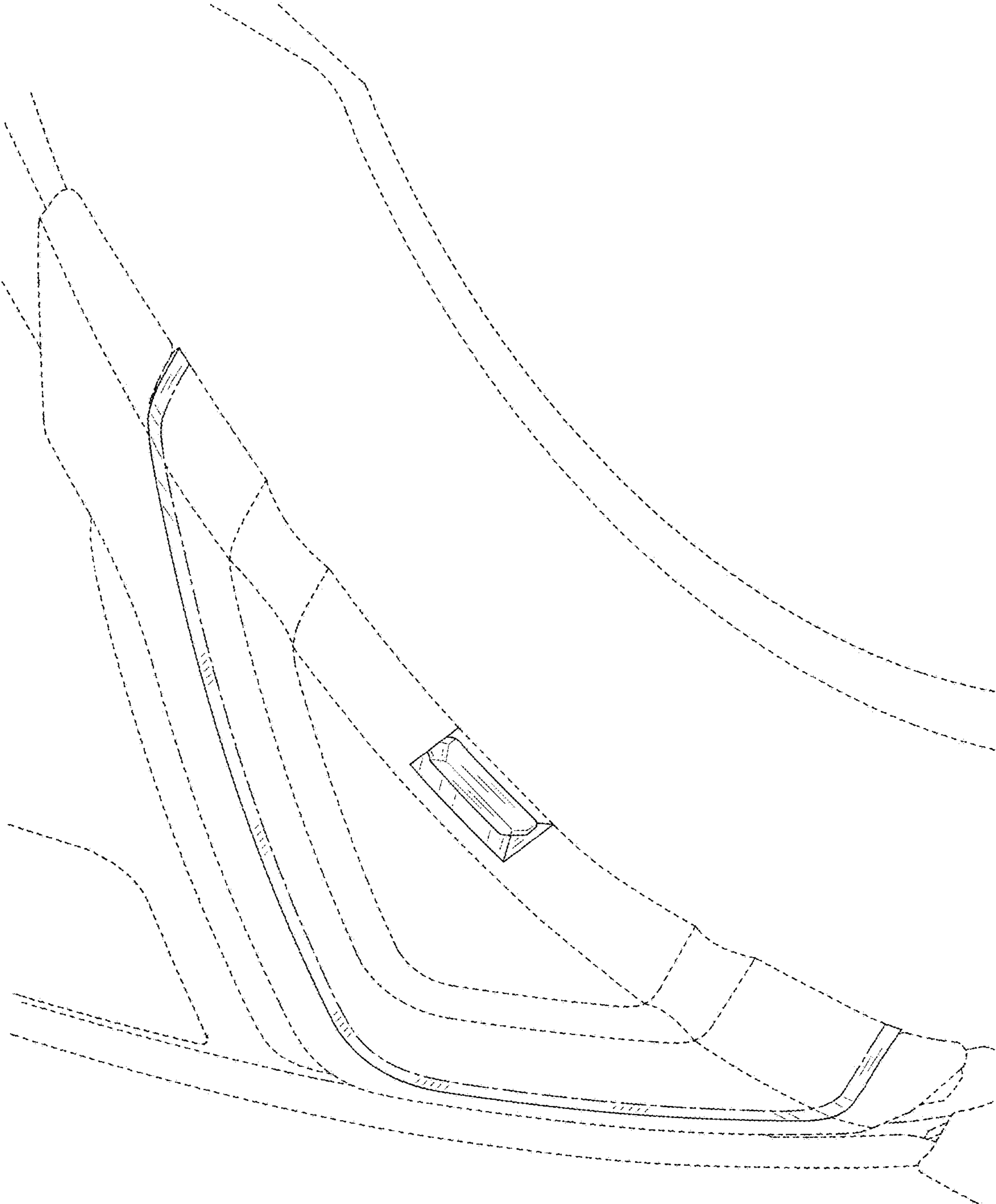


FIG.6



FIG.7

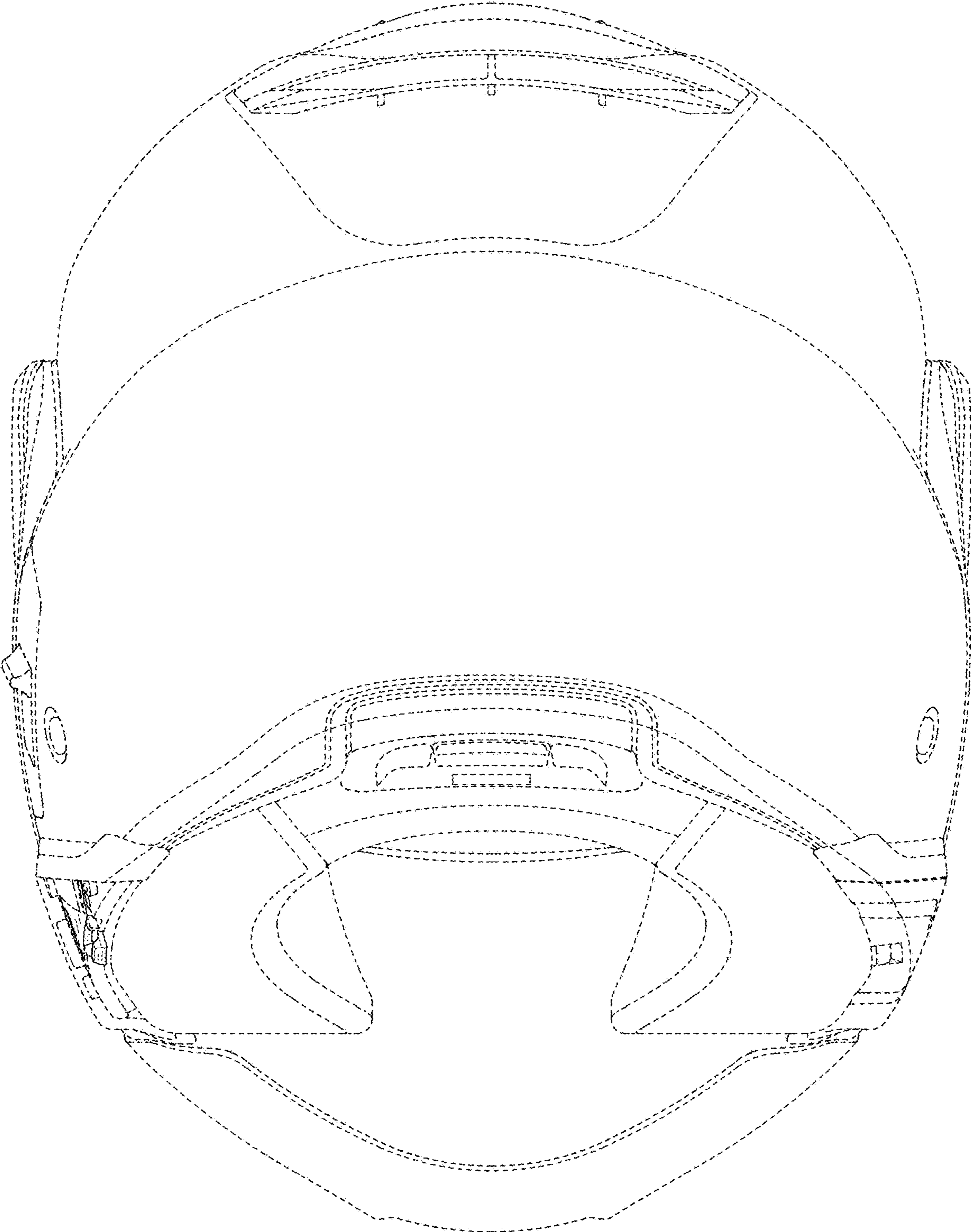


FIG.8

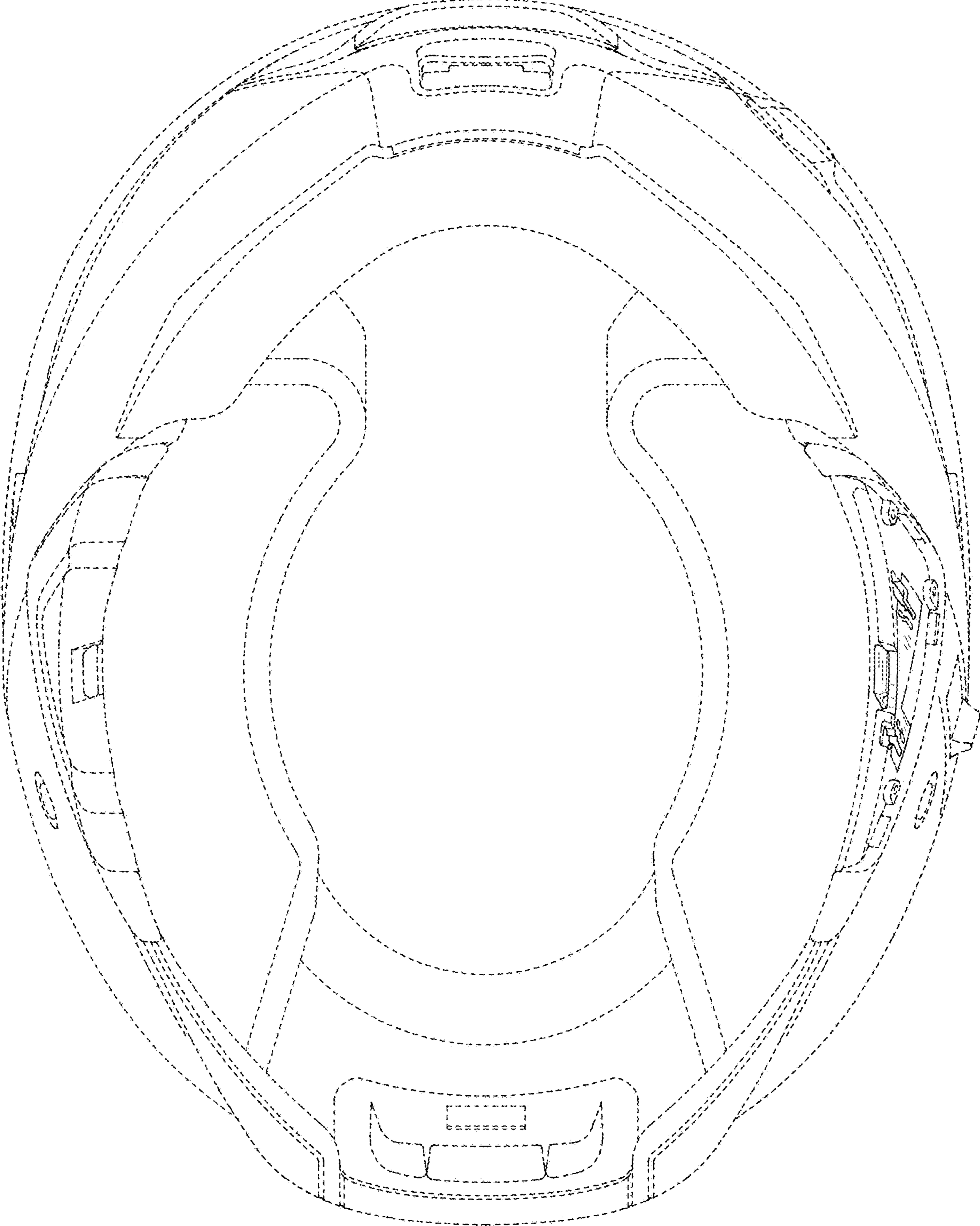
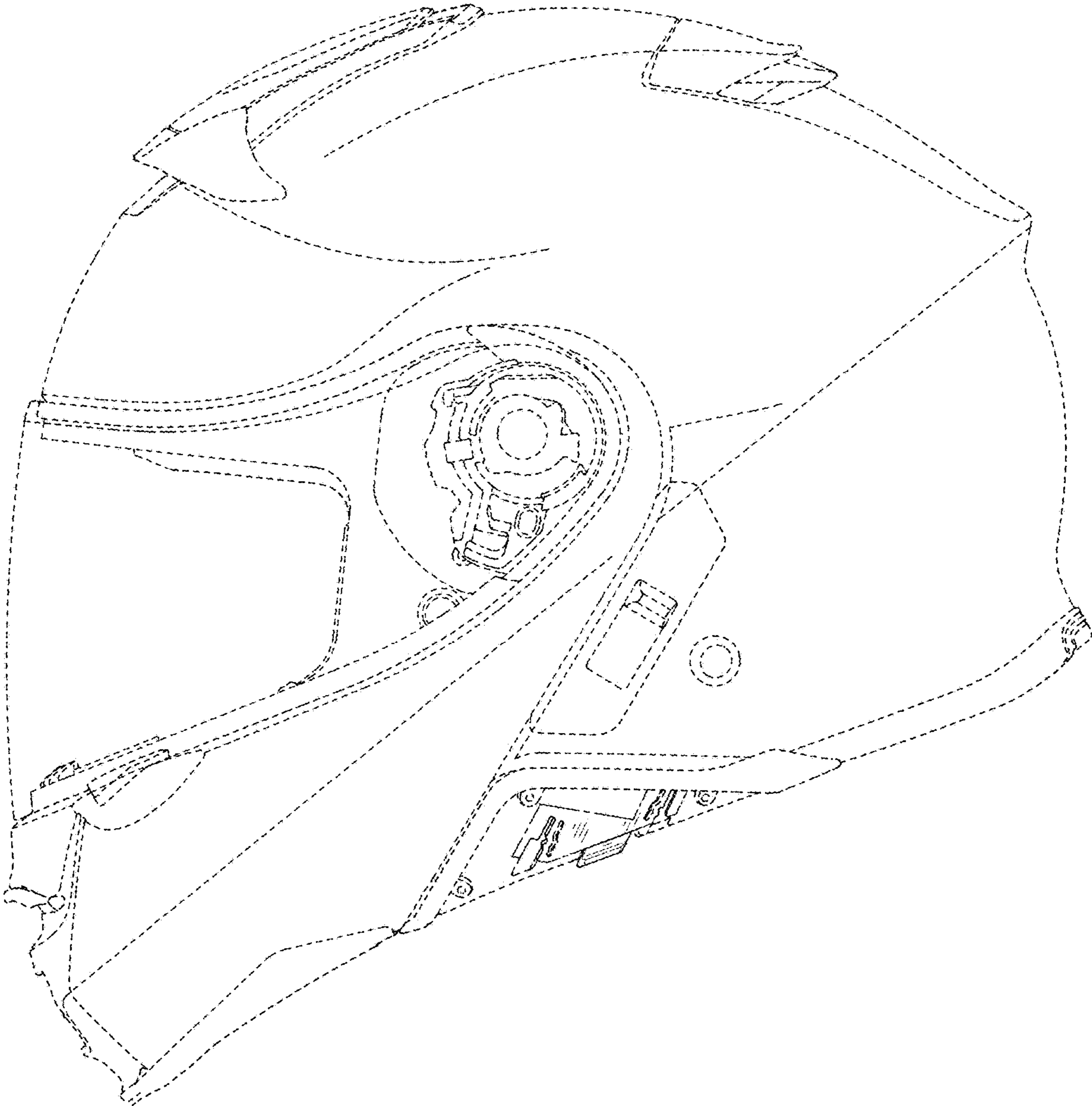


FIG.9



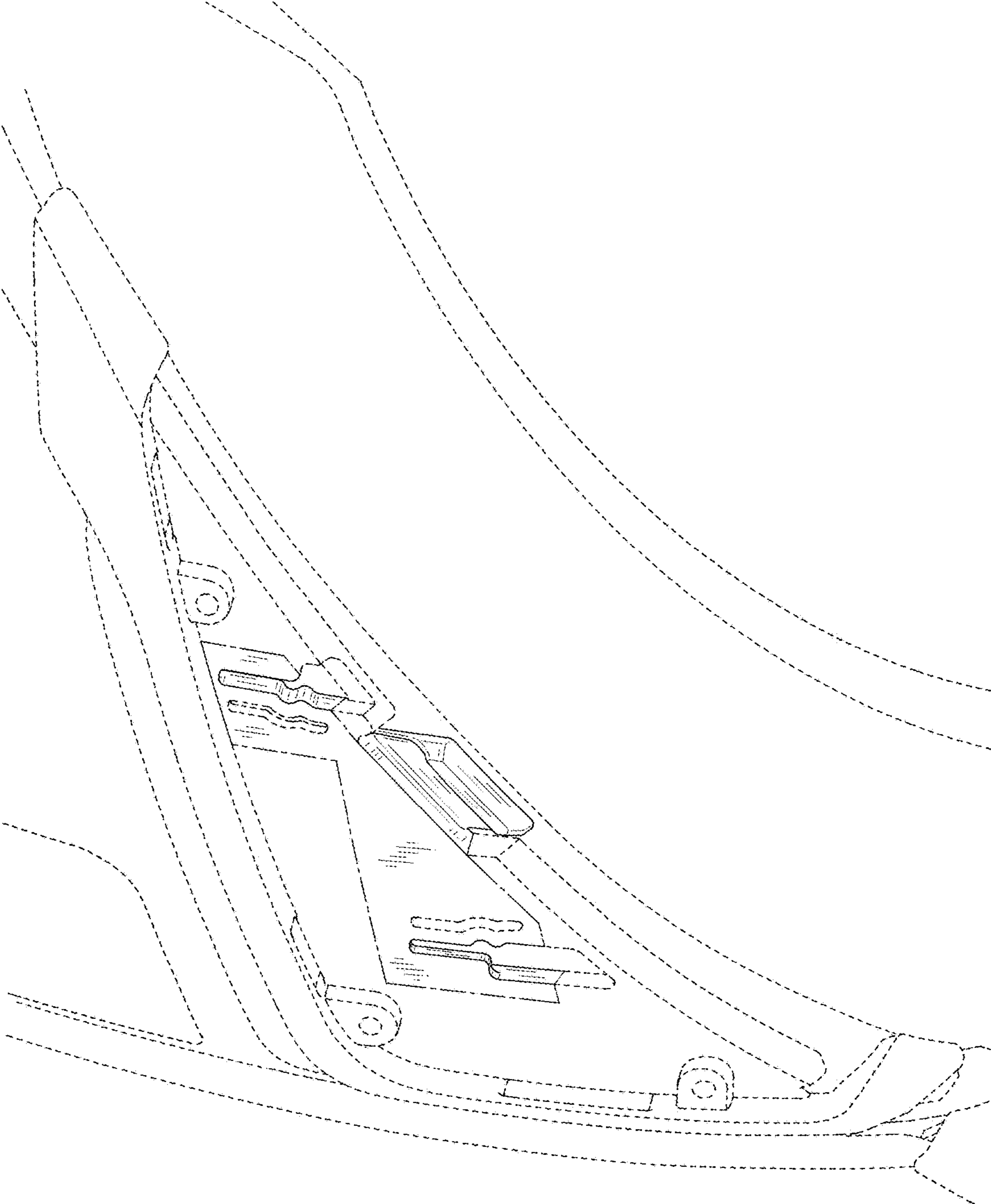


FIG.10

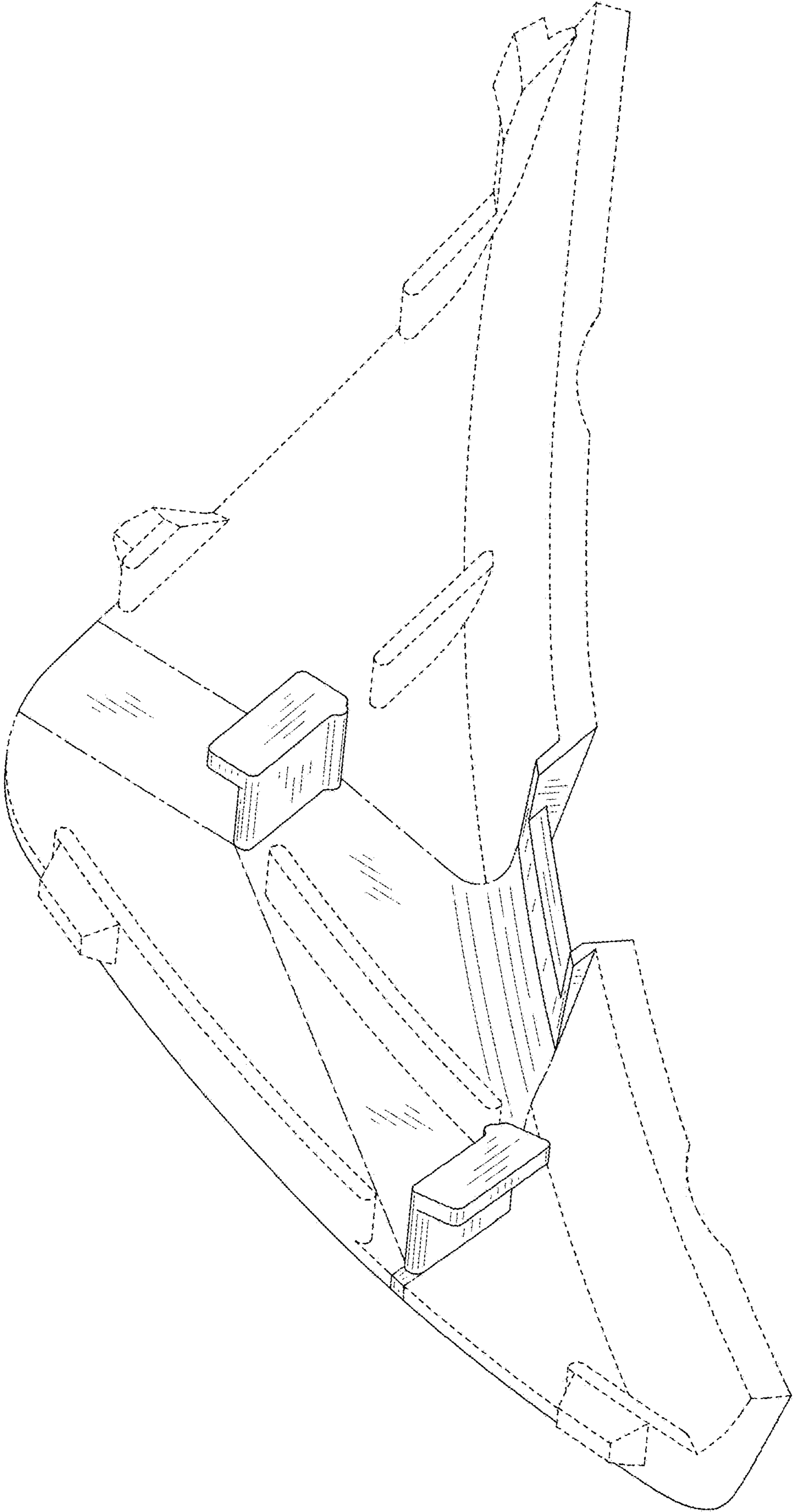


FIG.11

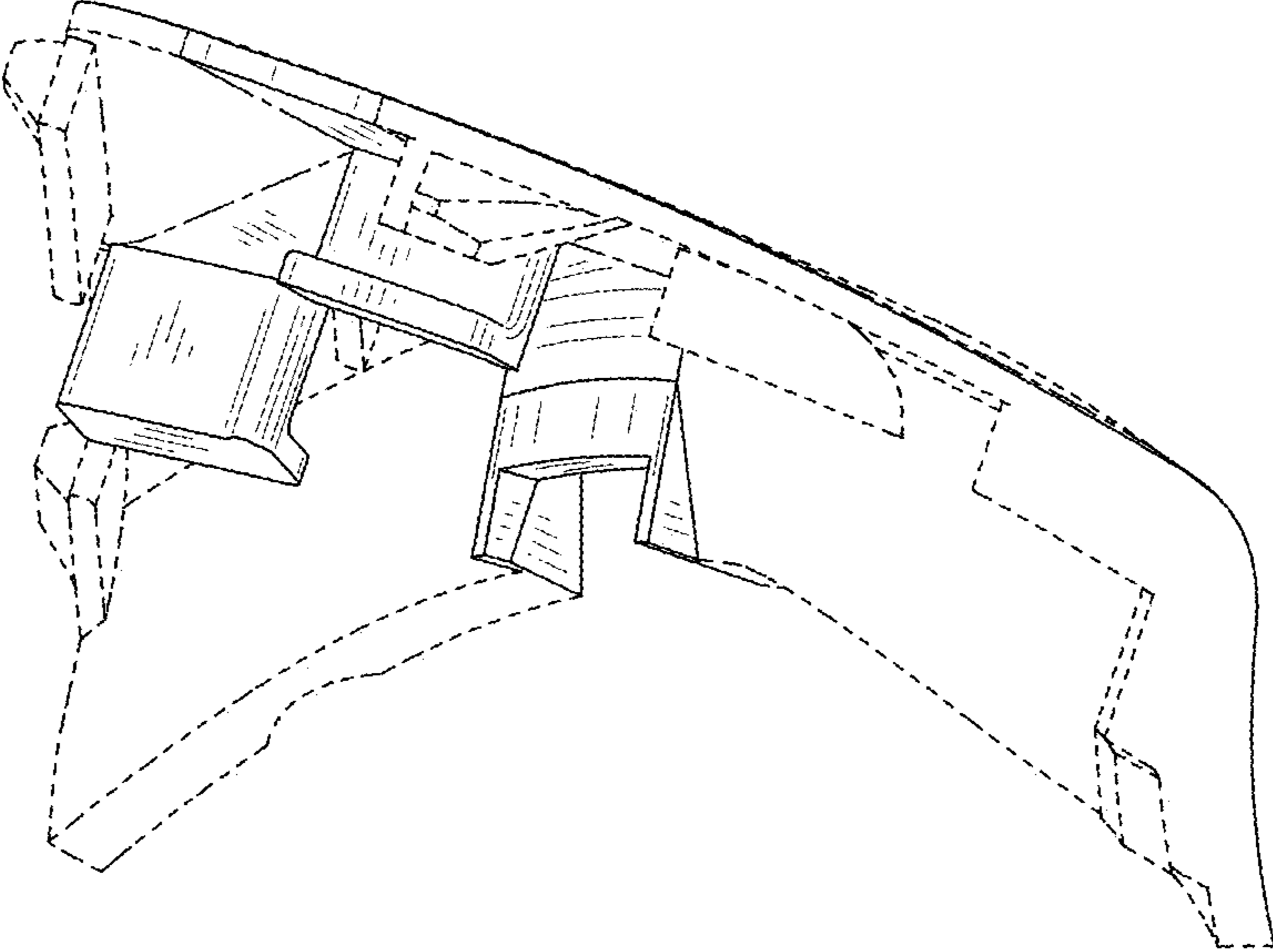


FIG.12

FIG.13

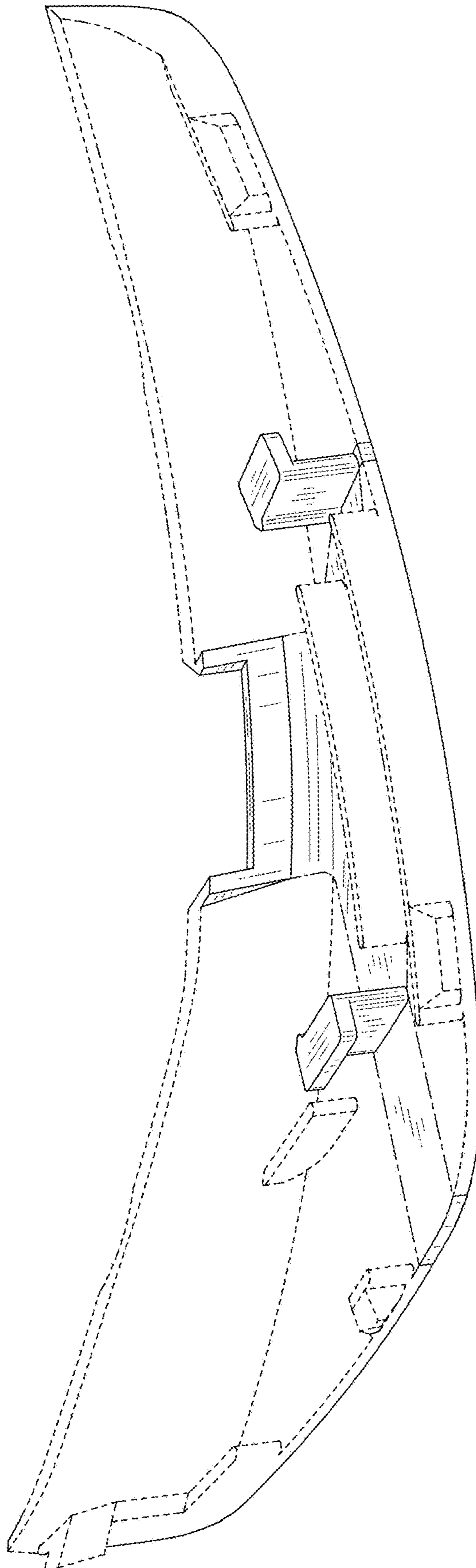


FIG.14

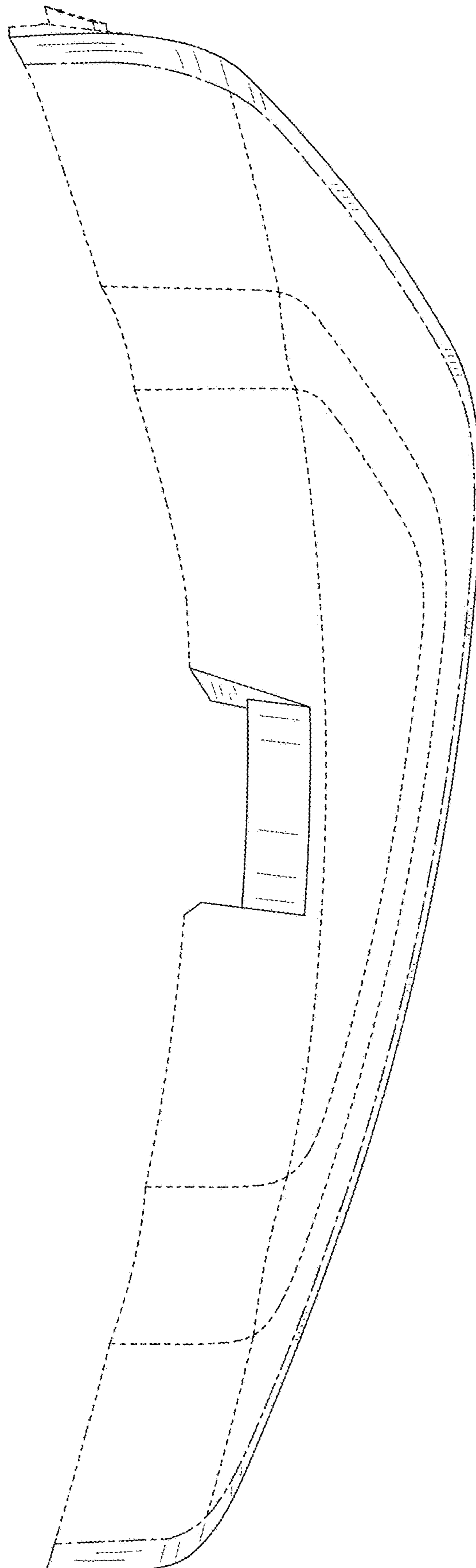
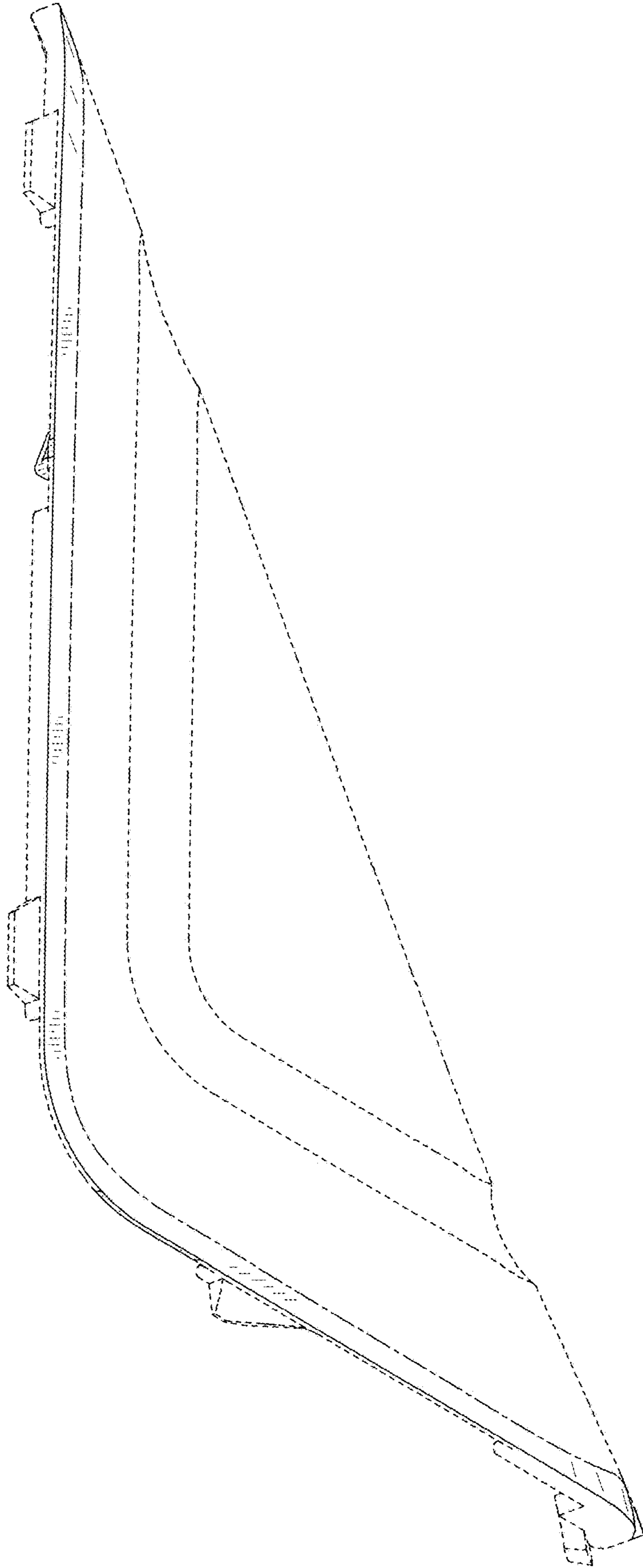




FIG.15



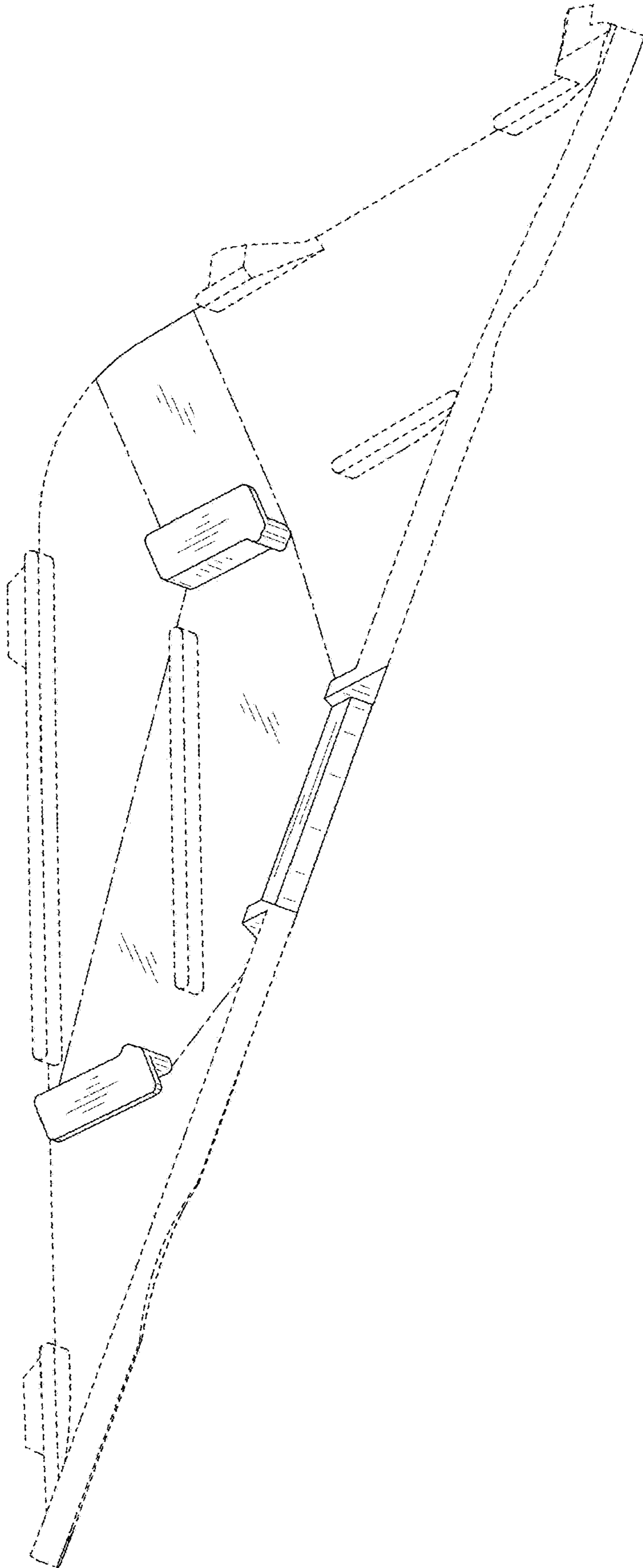


FIG.16

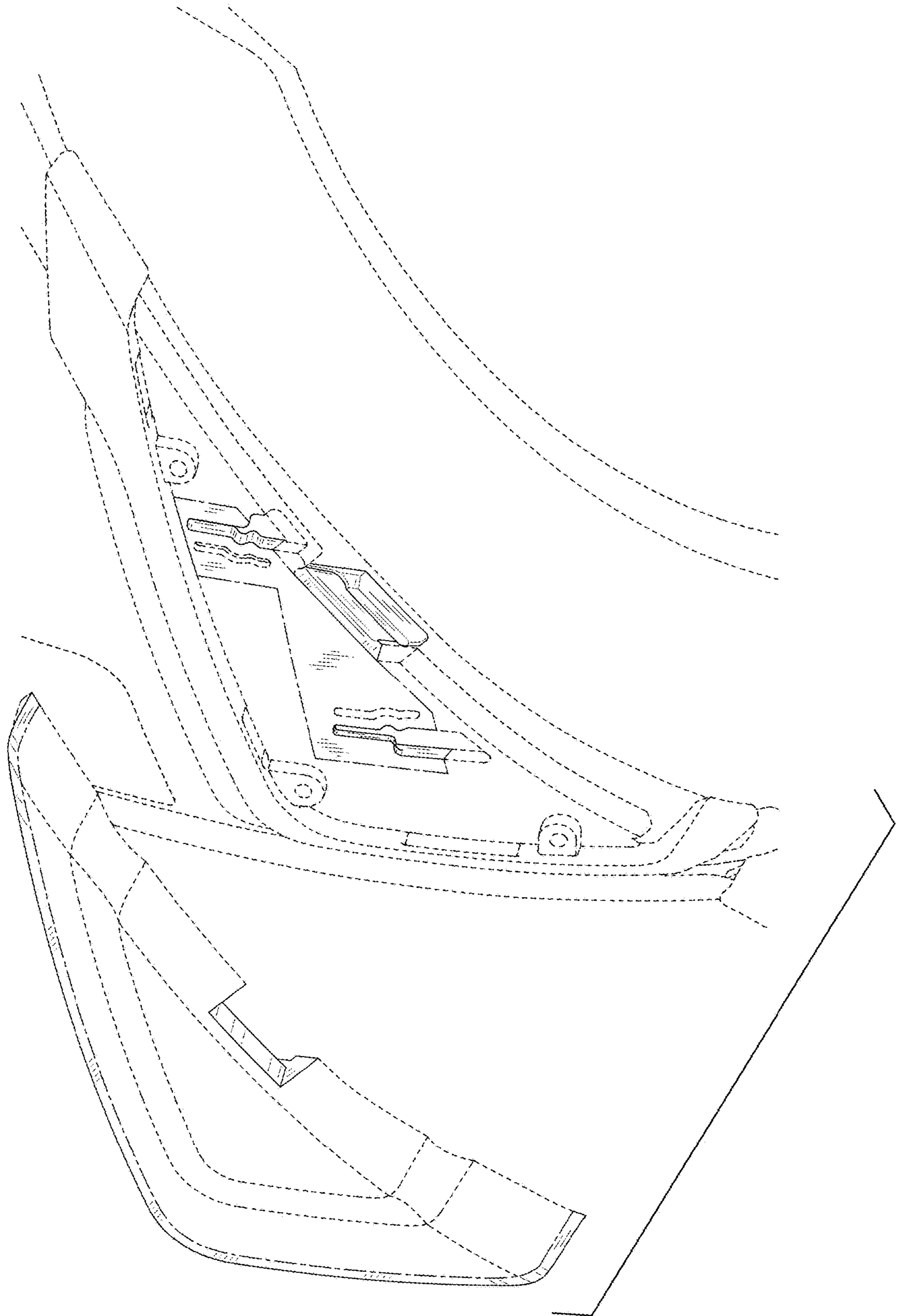


FIG.17