



US00D901783S

(12) **United States Design Patent** (10) **Patent No.:** **US D901,783 S**
Iacono (45) **Date of Patent:** **** Nov. 10, 2020**

(54) **RECESS FOR A GOLF BALL MARKER**
(71) Applicant: **ZERO FRICTION, LLC**, Oakbrook Terrace, IL (US)
(72) Inventor: **John R. Iacono**, Elmhurst, IL (US)
(73) Assignee: **ZERO FRICTION, LLC**, Oakbrook Terrace, IL (US)
(**) Term: **15 Years**

D365,133 S * 12/1995 Belmont D21/794
D371,640 S * 7/1996 Boone D29/116.2
6,422,955 B1 * 7/2002 Lopez A42B 1/24
473/406
D468,526 S * 1/2003 Morrissey D3/221
6,519,776 B1 * 2/2003 Davenport A63B 71/146
2/161.2
6,553,575 B1 * 4/2003 Davenport A63B 71/146
2/161.2
D474,863 S * 5/2003 Sun D29/123
D497,456 S * 10/2004 Sun D29/116.2
(Continued)

(21) Appl. No.: **29/695,624**
(22) Filed: **Jun. 20, 2019**

Related U.S. Application Data

(63) Continuation of application No. 29/605,741, filed on May 30, 2017, now Pat. No. Des. 852,426, which is a continuation-in-part of application No. 15/217,627, filed on Jul. 22, 2016, now Pat. No. 10,502,836, and a continuation-in-part of application No. 15/217,627, filed on Jul. 22, 2016, now Pat. No. 10,502,836.

(51) **LOC (12) Cl.** **02-06**
(52) **U.S. Cl.**
USPC **D29/116.2**
(58) **Field of Classification Search**
USPC D29/100, 113-115, 116.2; D2/617
CPC A63B 57/207; A63B 71/146
See application file for complete search history.

(56) **References Cited**

U.S. PATENT DOCUMENTS

D266,445 S * 10/1982 Yokotaki D21/718
4,489,444 A * 12/1984 Graham A63B 71/146
2/160
D299,563 S * 1/1989 Boone D29/116.2
D323,911 S * 2/1992 Dunn D29/116.2
D331,090 S * 11/1992 Cellura D21/793
5,305,999 A * 4/1994 Tate A63B 57/207
473/406
D350,179 S * 8/1994 Johnson D21/794

OTHER PUBLICATIONS

Ravens Golf Glove, posted at cbssports.com, posting date May 25, 2017 on tineye.com, [online], [site visited Jul. 21, 2017]. Available from Internet, URL: [http://shop.cbssports.com/CBS_Baltimore_Ravens_Golf_And_More/pricerange2/\\$20_to_\\$40/Mens_White_Baltimore_Ravens_Left_Hand_Golf_Glove_And_Ball_Marker_Set](http://shop.cbssports.com/CBS_Baltimore_Ravens_Golf_And_More/pricerange2/$20_to_$40/Mens_White_Baltimore_Ravens_Left_Hand_Golf_Glove_And_Ball_Marker_Set) (Year: 2017).*

(Continued)

Primary Examiner — George D. Kirschbaum
Assistant Examiner — Maria J Edwards
(74) *Attorney, Agent, or Firm* — Baker McKenzie

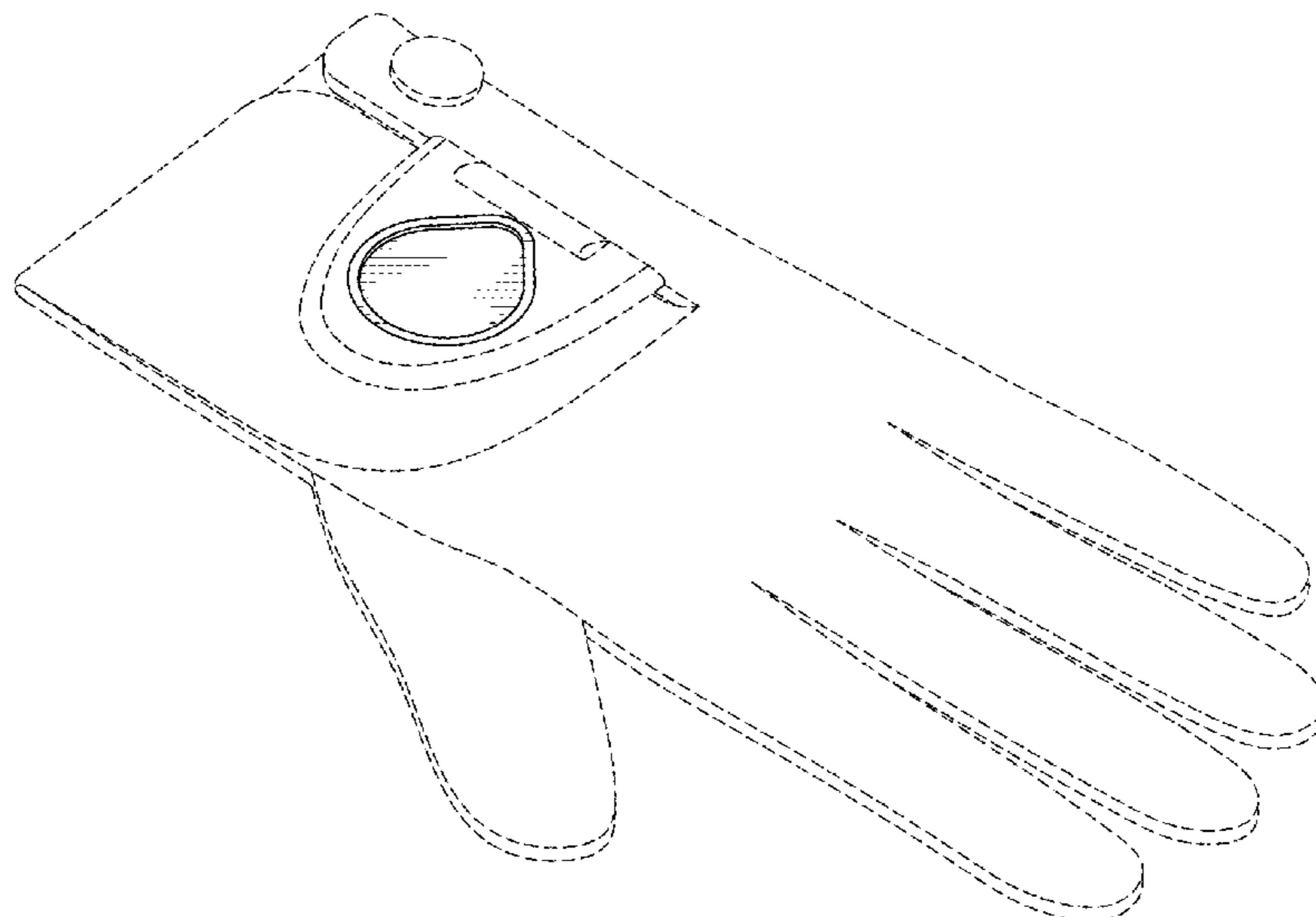
(57) **CLAIM**

The ornamental design for a recess for a golf ball marker, as shown and described.

DESCRIPTION

FIG. 1 is a perspective view showing my new design; FIG. 2 is a top plan view thereof; FIG. 3 is a left elevational view thereof; FIG. 4 is a right elevational view thereof; FIG. 5 is an end elevational view thereof; and, FIG. 6 is an opposite end elevational view thereof. The broken lines in the drawings illustrate environmental structure and form no part of the claimed design.

1 Claim, 4 Drawing Sheets



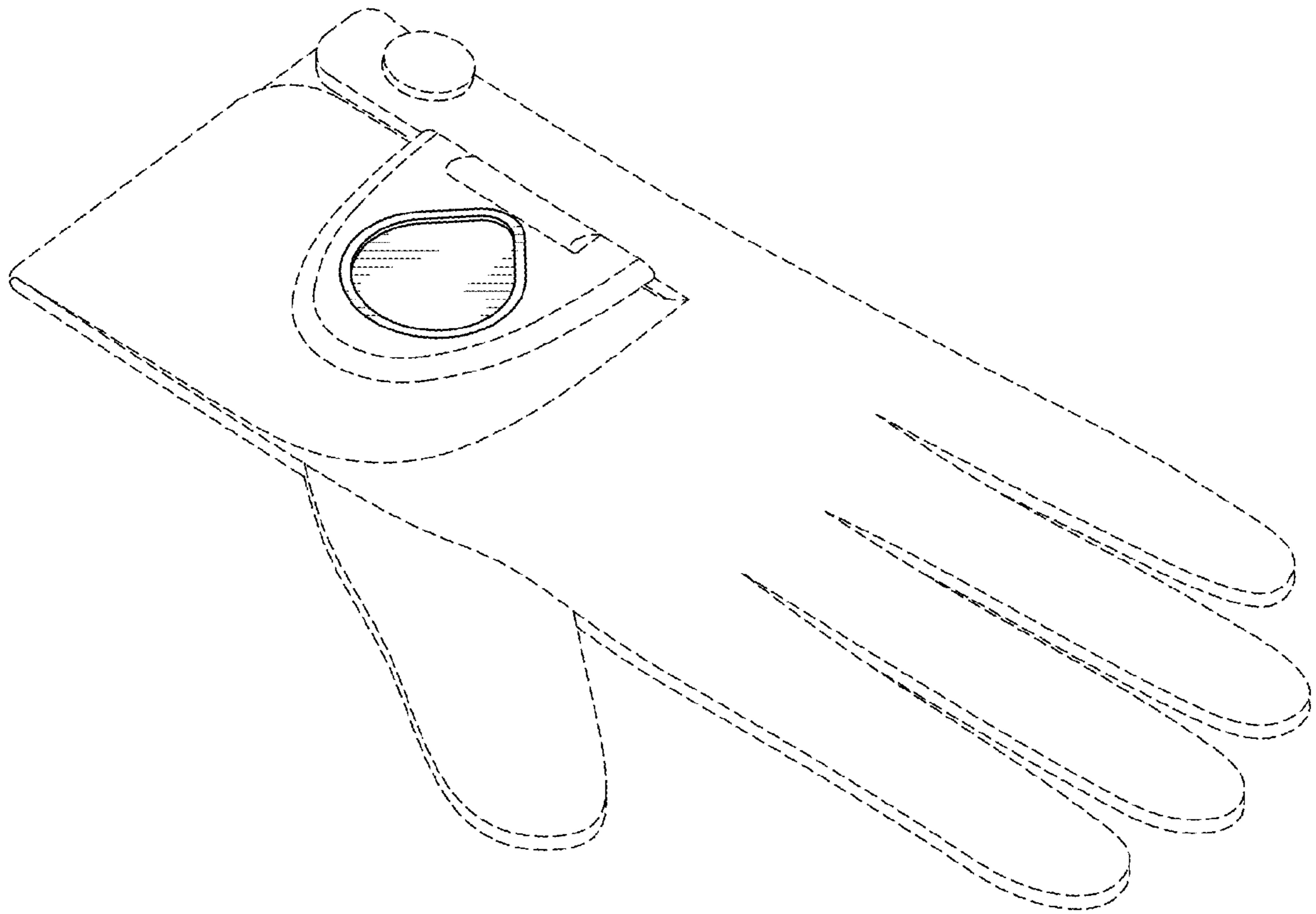


FIG. 1

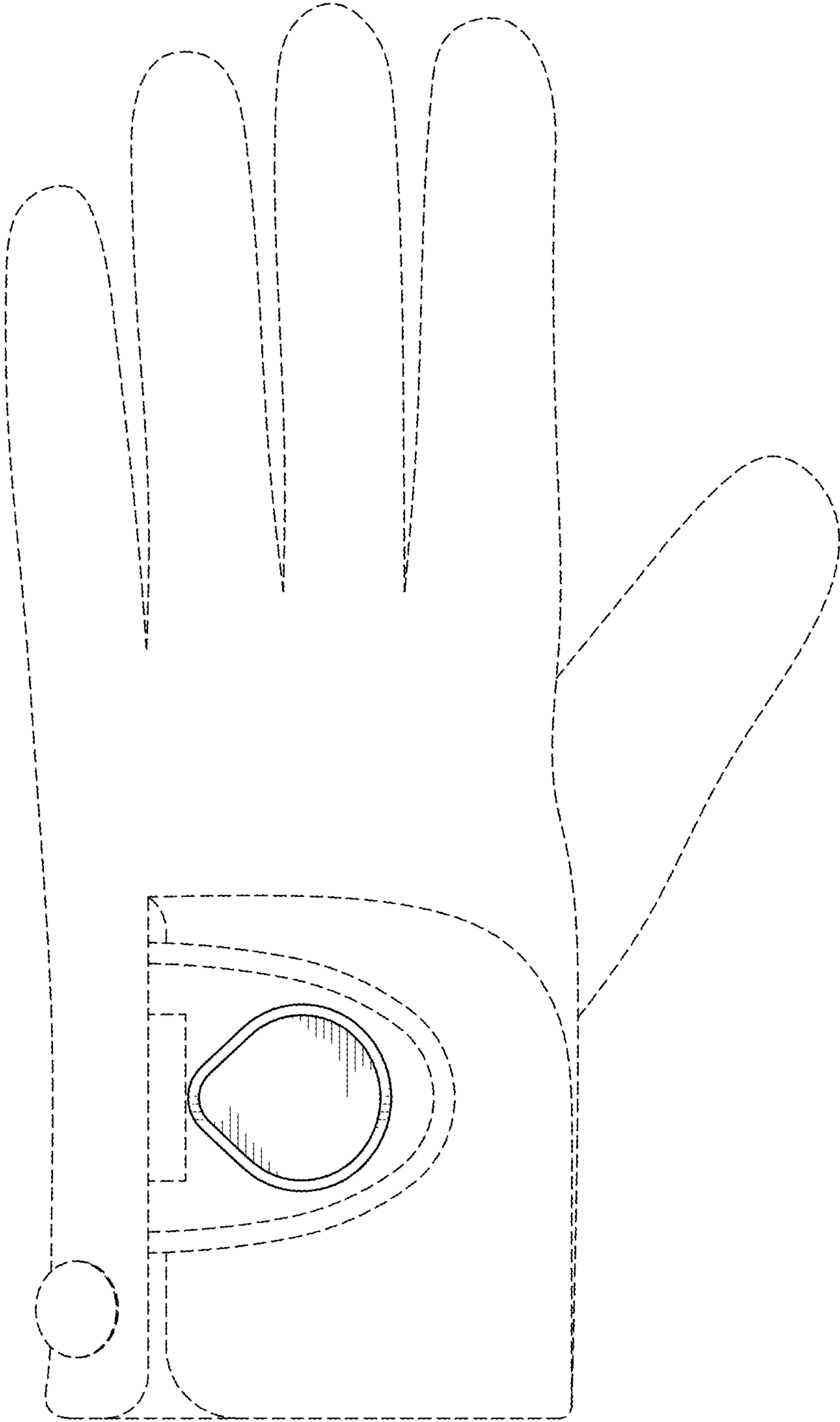


FIG. 2

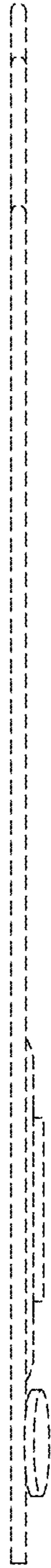


FIG. 3



FIG. 4

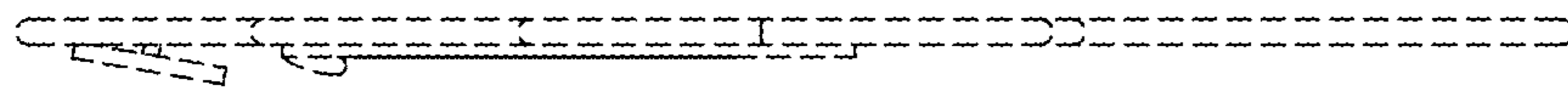


FIG. 5

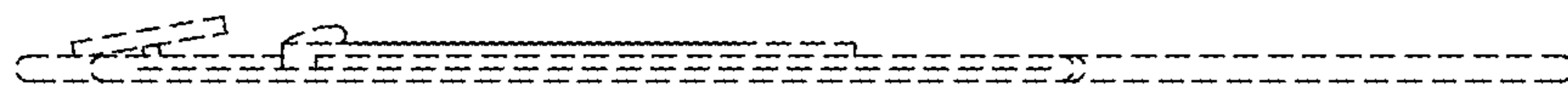


FIG. 6