



US00D901779S

(12) **United States Design Patent**
Kulik

(10) **Patent No.:** **US D901,779 S**

(45) **Date of Patent:** **** Nov. 10, 2020**

- (54) **ROLLOUT MODULE HOUSING**
- (71) Applicant: **Mark Kulik**, Hayward, CA (US)
- (72) Inventor: **Mark Kulik**, Hayward, CA (US)
- (**) Term: **15 Years**
- (21) Appl. No.: **29/656,484**
- (22) Filed: **Jul. 12, 2018**

- 6,415,452 B1 * 7/2002 Watanabe A61F 9/025
2/438
- 6,416,177 B1 * 7/2002 Gibson A61F 9/02
2/438
- 8,261,375 B1 * 9/2012 Reaux A41D 13/1184
128/201.15
- D687,480 S * 8/2013 Castro D16/312
(Continued)

Primary Examiner — Ramzi S Almatrahi
(74) *Attorney, Agent, or Firm* — Gerald R. Prettyman

Related U.S. Application Data

- (63) Continuation-in-part of application No. 29/509,401, filed on Nov. 17, 2014.
- (51) **LOC (12) Cl.** **29-02**
- (52) **U.S. Cl.**
USPC **D29/103; D29/107**
- (58) **Field of Classification Search**
USPC D16/101, 300–342; D15/1;
D29/103–111; 2/438, 432; 396/311, 387
CPC G03B 17/02; G03B 17/24; G03B 17/30;
A42B 3/04; A42B 3/0406; A42B 3/042;
A42B 3/185; A42B 3/30; A42B 3/18;
A42B 3/24; A61F 9/025; A61F 9/029
See application file for complete search history.

(57) **CLAIM**

The ornamental design for a rollout module housing, as shown and described.

DESCRIPTION

This application is related to U.S. Utility application Ser. No. 14/543,794, now U.S. Pat. No. 9,708,154, issued Jul. 18, 2017 and titled “Off-Road Rolling Film Vision System”. This application is related to Design patent application Ser. Nos. 29/509,397 titled “Film Spool;” 29/509,398 titled “Takeup Module Housing;” and 29/509,403 titled “Controller Housing;” all filed Nov. 17, 2014; and to U.S. Utility application Ser. No. 14/967,150 filed Dec. 11, 2015, and to U.S. Utility application Ser. No. 15/650,864 filed Jul. 15, 2017, and to PCT/US2015/56987 filed Oct. 22, 2015. All applications have the same inventor and owner.

FIG. 1 is a top view of a rollout module housing, showing my new design;
FIG. 2 is a bottom view thereof;
FIG. 3 is a back view thereof;
FIG. 4 is a front view thereof;
FIG. 5 is left side view thereof;
FIG. 6 is right side view thereof; and,
FIG. 7 is back perspective view thereof.

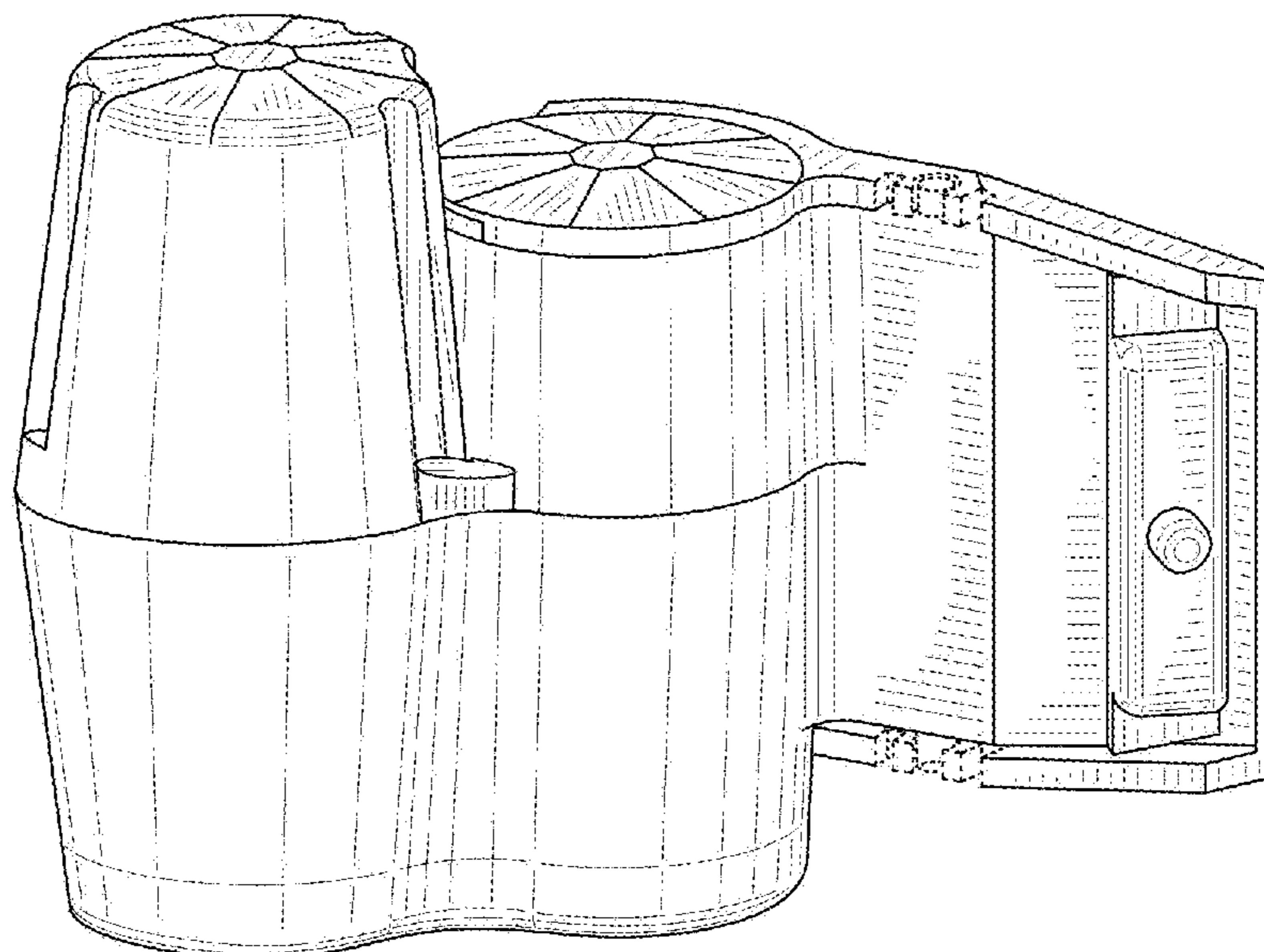
The broken lines depict portions of a rollout module housing in which the design is embodied that form no part of the claimed design.

(56) **References Cited**

U.S. PATENT DOCUMENTS

- 4,428,081 A * 1/1984 Smith A61F 9/025
2/422
- 4,748,697 A * 6/1988 Hodnett A61F 9/025
2/438
- D324,745 S * 3/1992 Flores D16/312
- 5,412,446 A * 5/1995 Rydelek G03B 19/04
242/332.7
- 6,047,412 A * 4/2000 Wilson, II A61F 9/025
2/422
- 6,073,296 A * 6/2000 Bouguerfa A42B 3/26
15/102

1 Claim, 7 Drawing Sheets



(56)

References Cited

U.S. PATENT DOCUMENTS

D691,652 S * 10/2013 Castro D16/311
2012/0023647 A1 * 2/2012 Park A61F 9/025
2/438

* cited by examiner

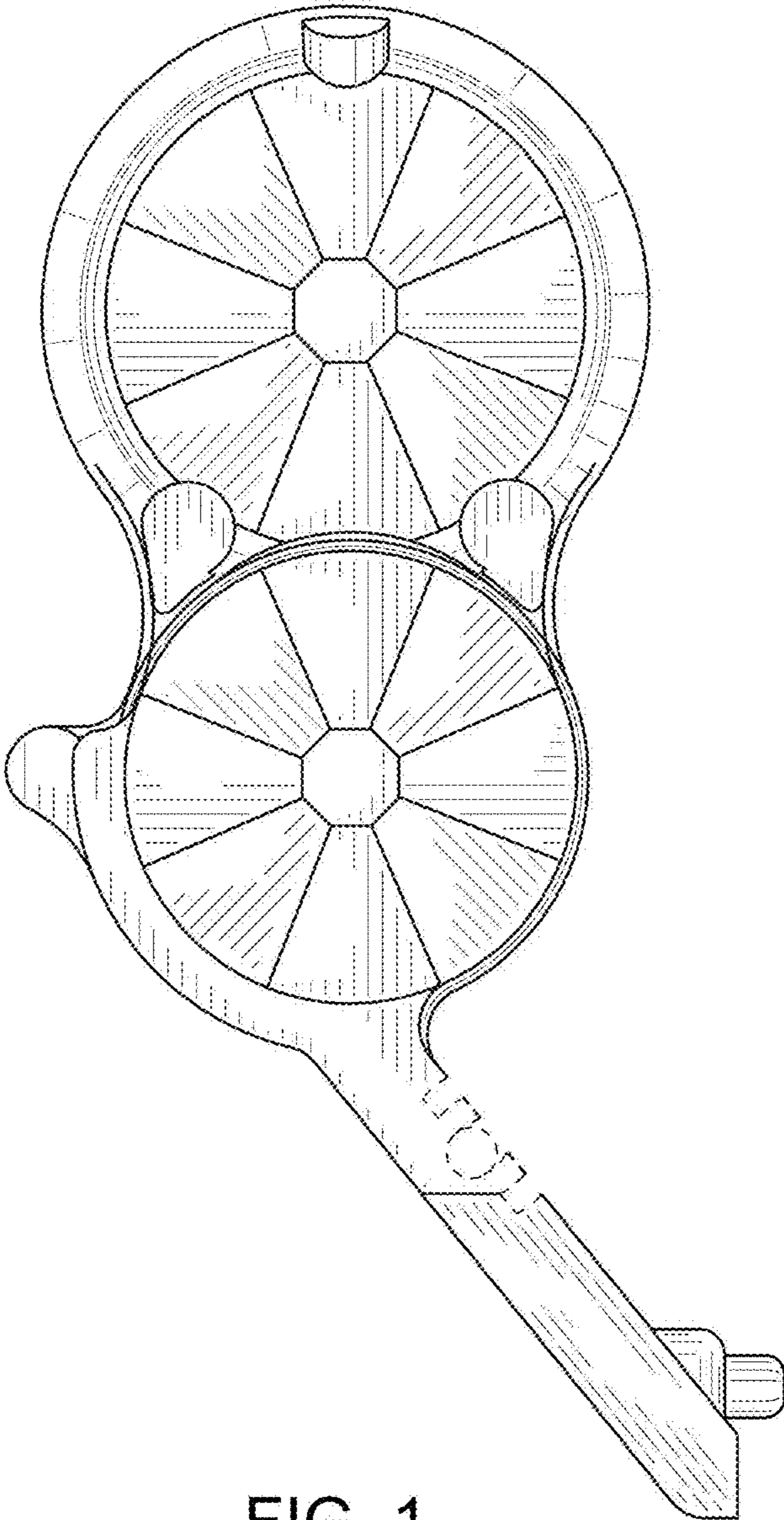


FIG. 1

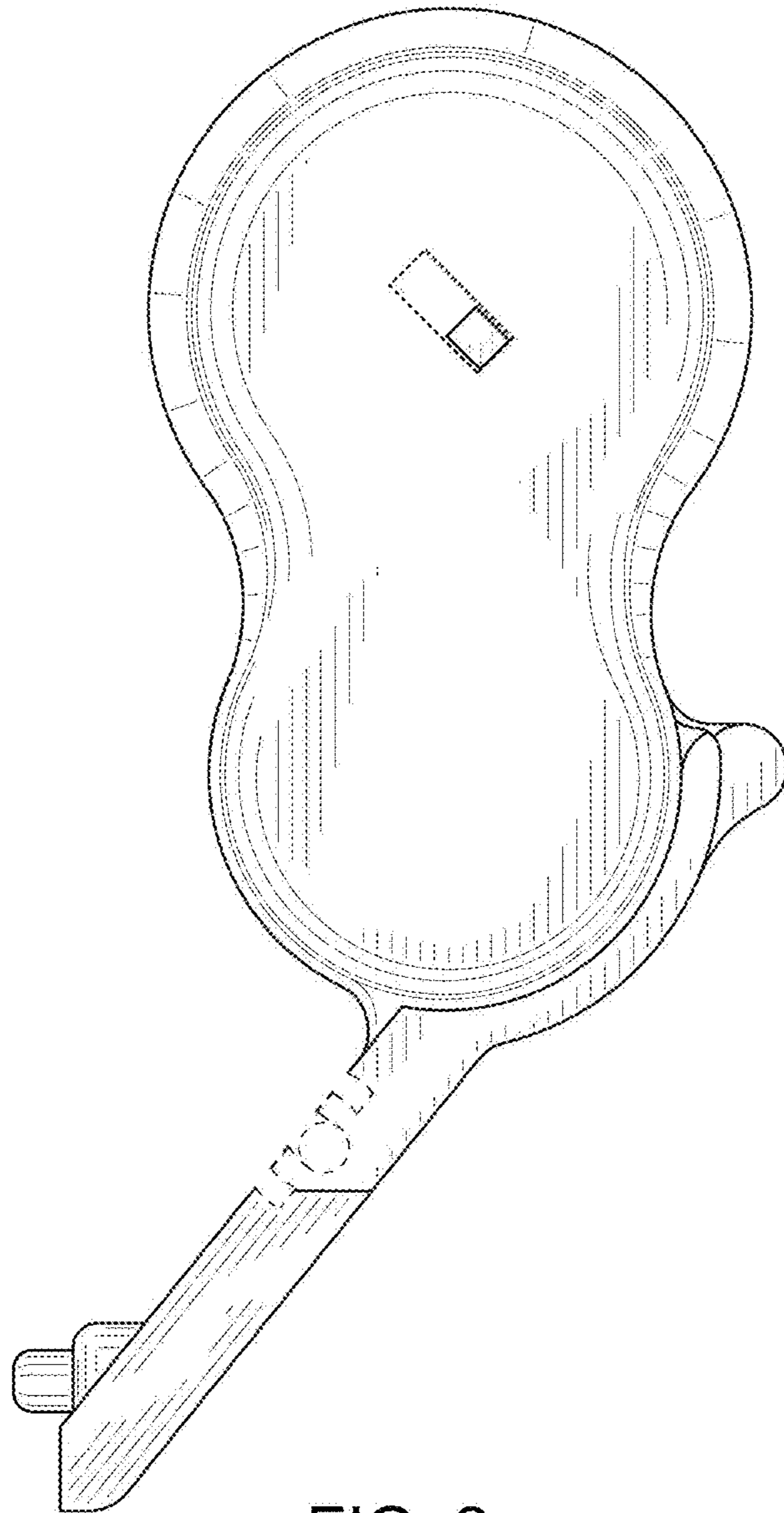


FIG. 2

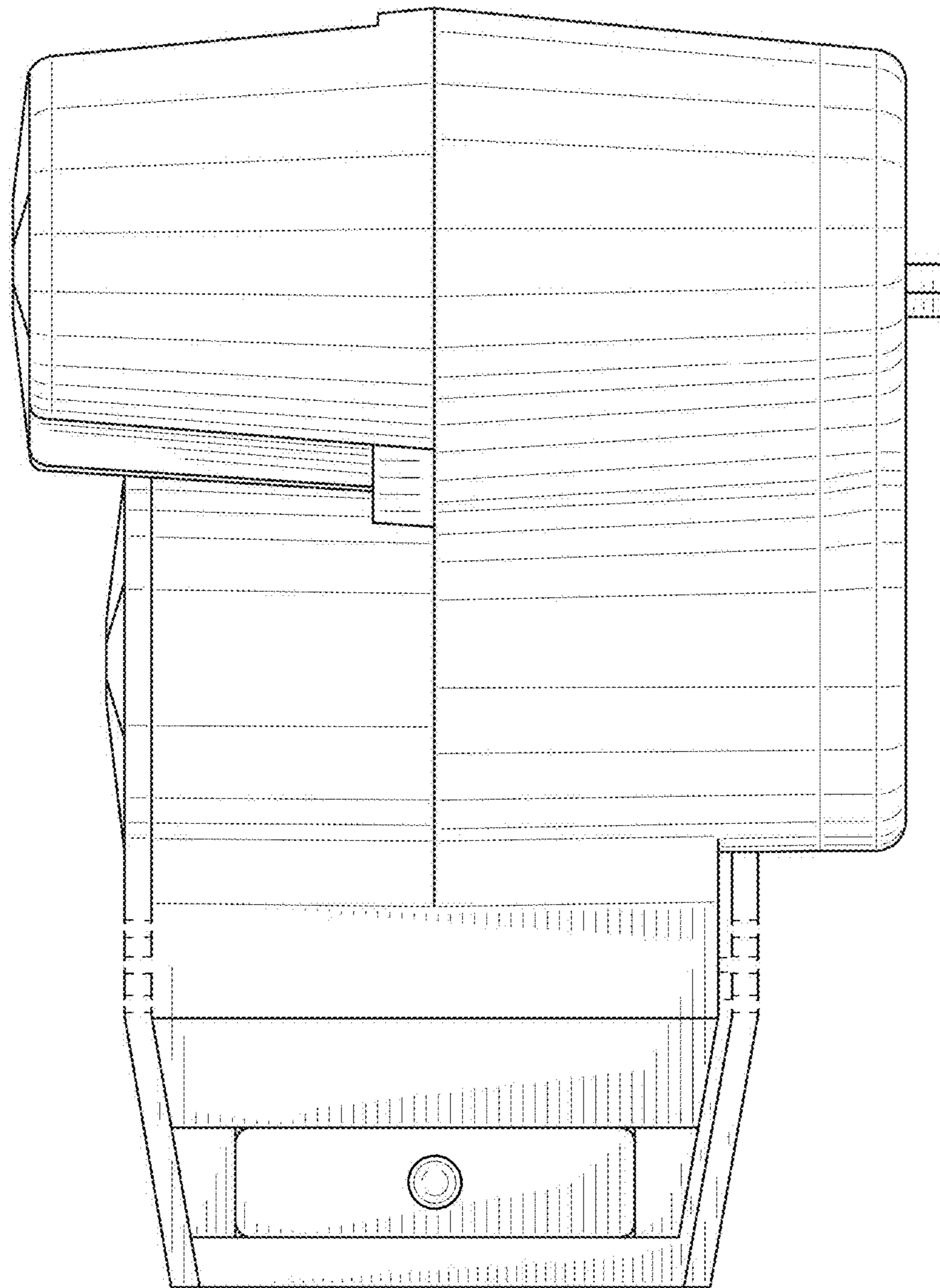


FIG. 3

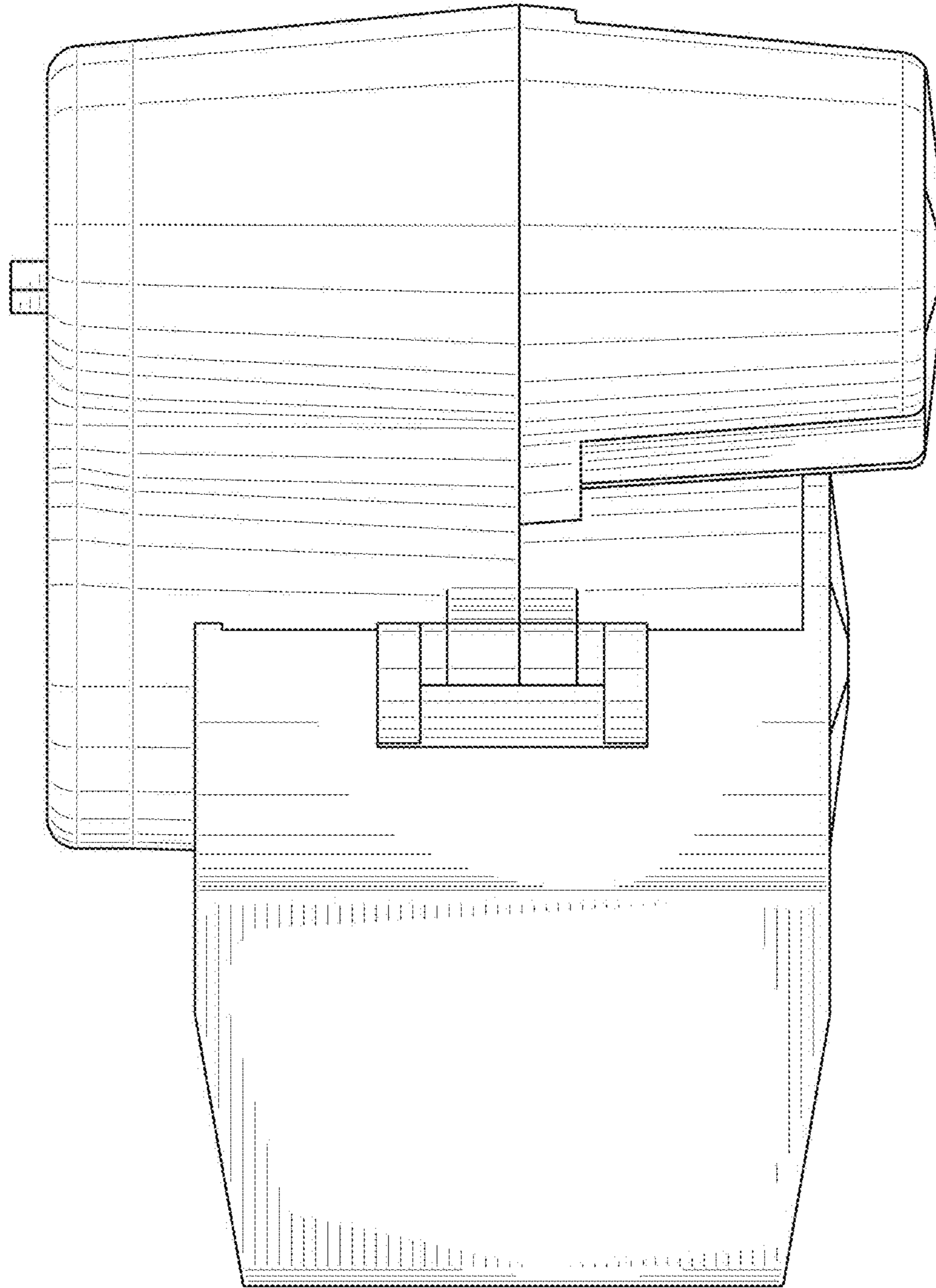


FIG. 4

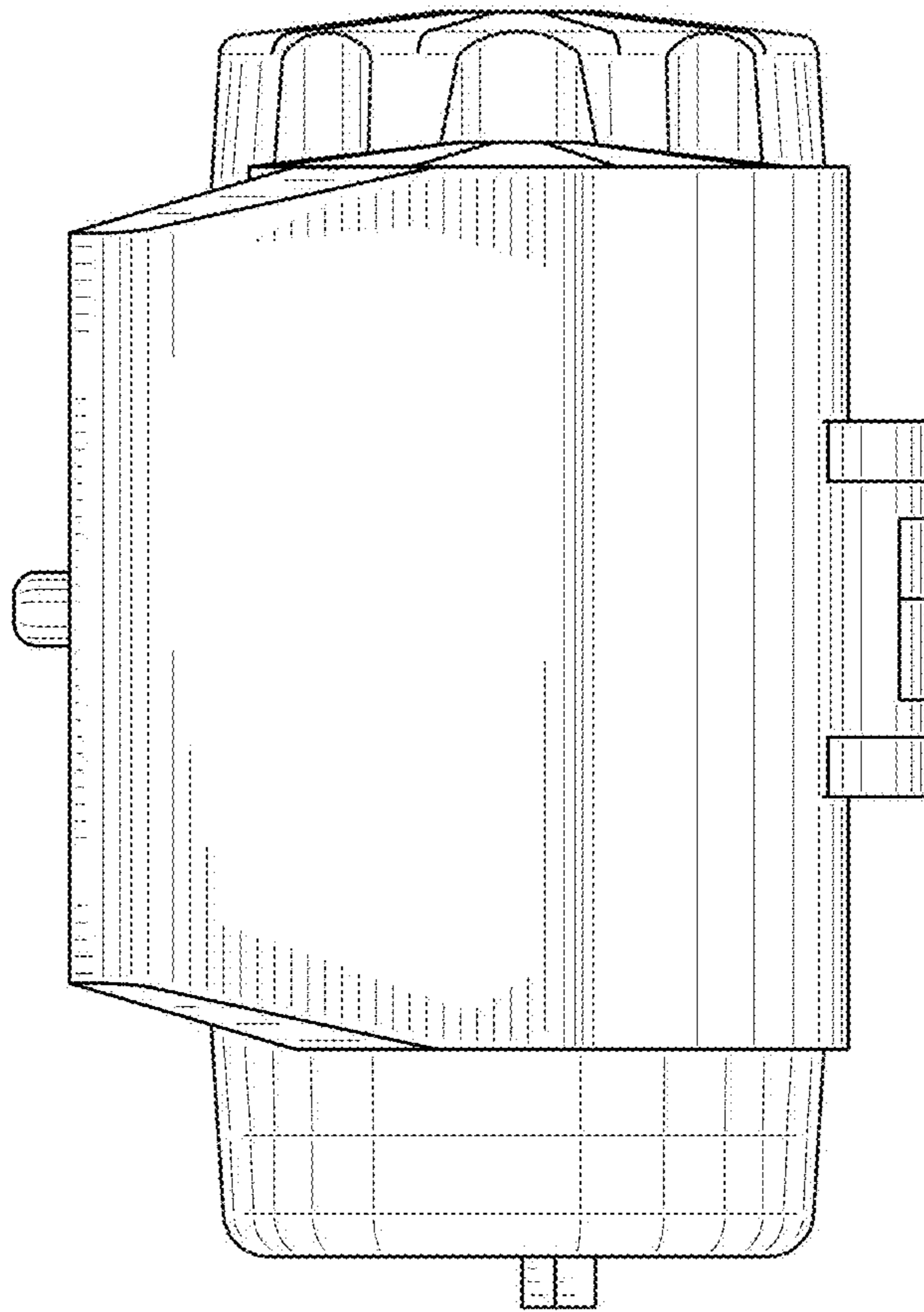


FIG. 5

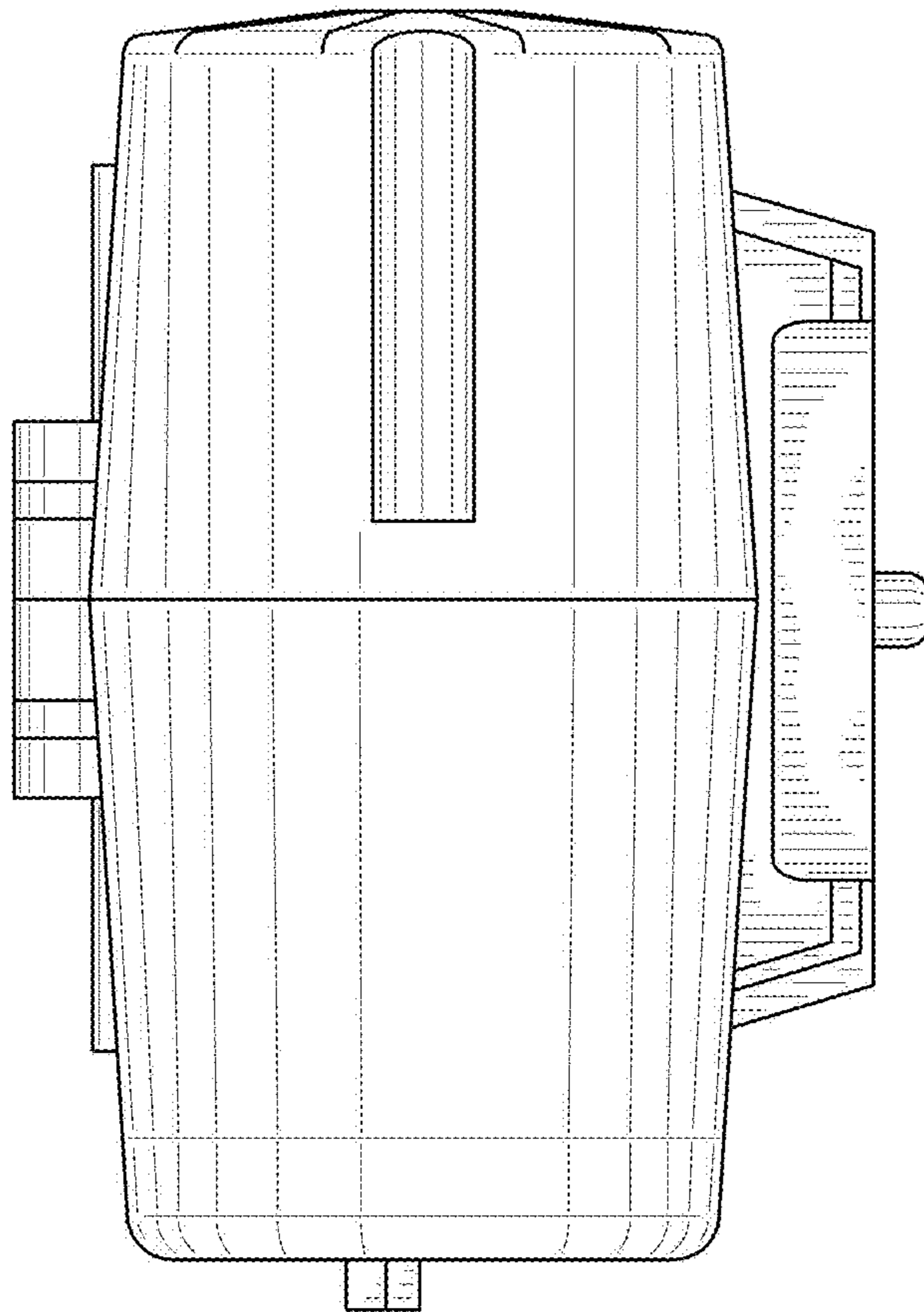


FIG. 6

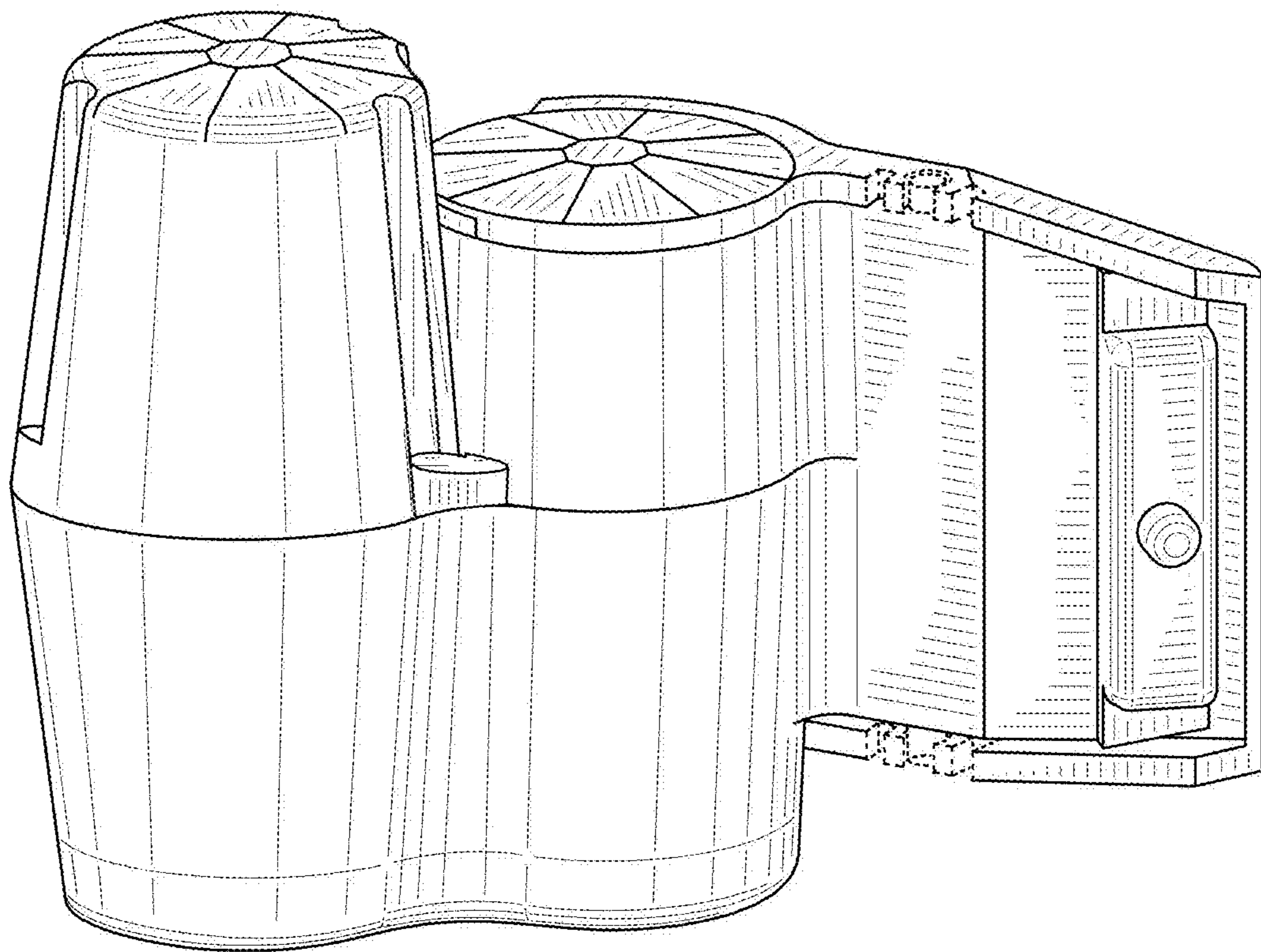


FIG. 7