



US00D901777S

(12) **United States Design Patent**
Gentile

(10) **Patent No.:** **US D901,777 S**

(45) **Date of Patent:** **** Nov. 10, 2020**

(54) **FLOSS HEAD**

(71) Applicant: **ALLSTAR MARKETING GROUP, LLP**, Hawthorne, NY (US)

(72) Inventor: **Thomas Gentile**, Mahopac, NY (US)

(73) Assignee: **ALLSTAR MARKETING GROUP, LLC**, Hawthorne, NY (US)

(**) Term: **15 Years**

(21) Appl. No.: **29/700,431**

(22) Filed: **Aug. 2, 2019**

(51) **LOC (12) Cl.** **28-03**

(52) **U.S. Cl.**
USPC **D28/66**

(58) **Field of Classification Search**
USPC D28/65-68; D24/152
CPC A61C 15/00; A61C 15/04; A61C 15/046;
A61C 15/047; A61C 15/048

See application file for complete search history.

(56) **References Cited**

U.S. PATENT DOCUMENTS

6,015,328	A *	1/2000	Glaser	A46B 5/02 15/167.1
8,196,246	B1 *	6/2012	Haynes	A61C 17/222 15/22.1
D684,724	S *	6/2013	Tokui	D28/66
2003/0098037	A1 *	5/2003	Dougan	A61C 15/046 132/323
2006/0054180	A1 *	3/2006	Getgey	A61C 15/047 132/322

2008/0047574	A1 *	2/2008	Yim	A61C 15/048 132/323
2010/0116287	A1 *	5/2010	Cohen	A61C 15/046 132/323
2012/0021382	A1 *	1/2012	Dickie	A61C 15/047 433/216
2015/0079540	A1 *	3/2015	Rek	A61C 1/148 433/122
2016/0166365	A1 *	6/2016	Ninh	A46B 15/0071 132/309

* cited by examiner

Primary Examiner — Zenia I Bennett

(74) *Attorney, Agent, or Firm* — Andrew F. Young, Esq.;
Lackenback Siegel, LLP

(57) **CLAIM**

The ornamental design for a floss head, as shown and described.

DESCRIPTION

FIG. 1 is a left front top perspective view of a floss head showing our new design.

FIG. 2 is a right front top perspective view thereof.

FIG. 3 is a front elevation view thereof.

FIG. 4 is a rear elevation view thereof.

FIG. 5 is a top plan view thereof.

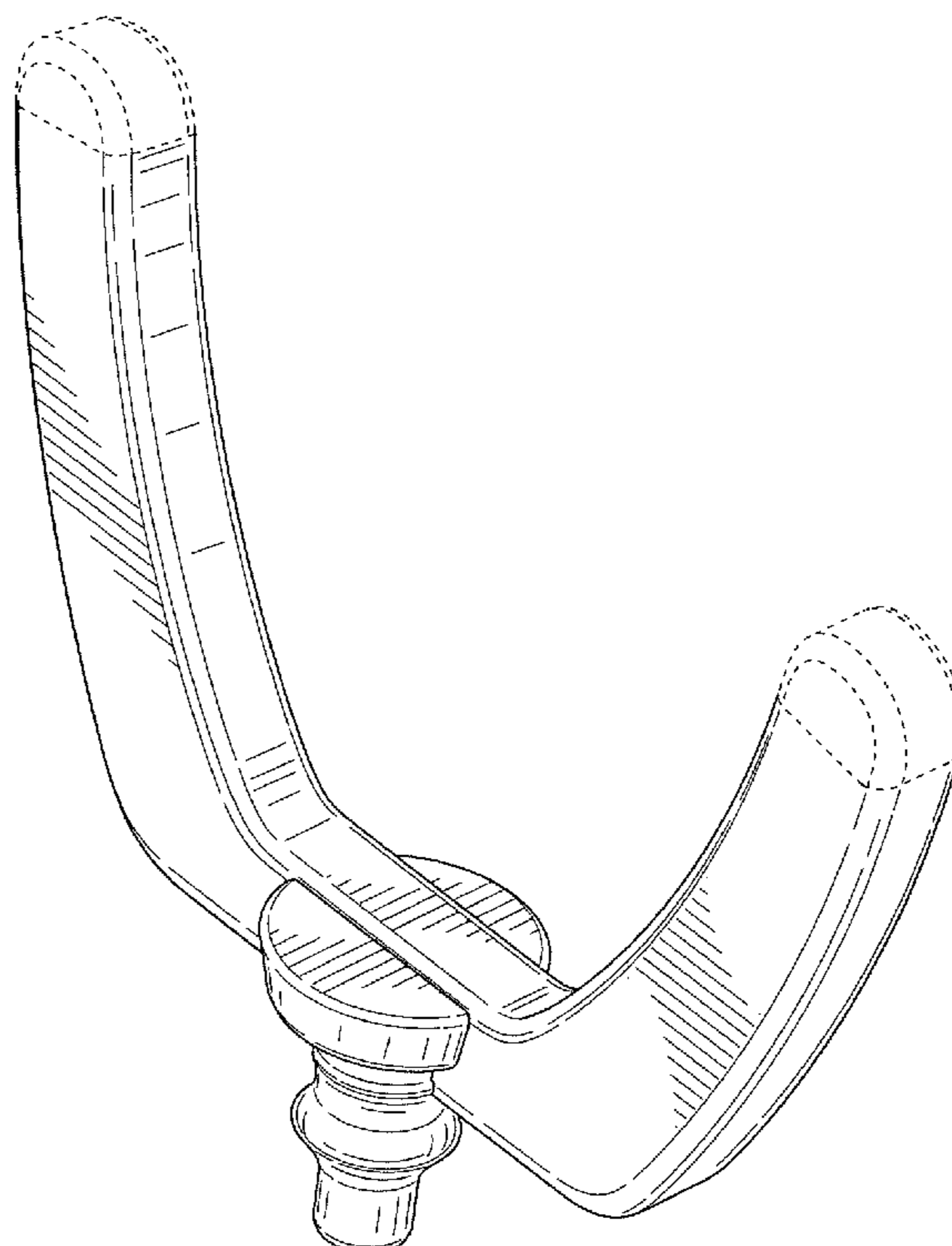
FIG. 6 is a bottom plan view thereof.

FIG. 7 is a left side elevation view thereof; and,

FIG. 8 is a right side elevation view thereof.

The dash-dash lines demark the disclaimed portions that form no part of the claimed design.

1 Claim, 6 Drawing Sheets



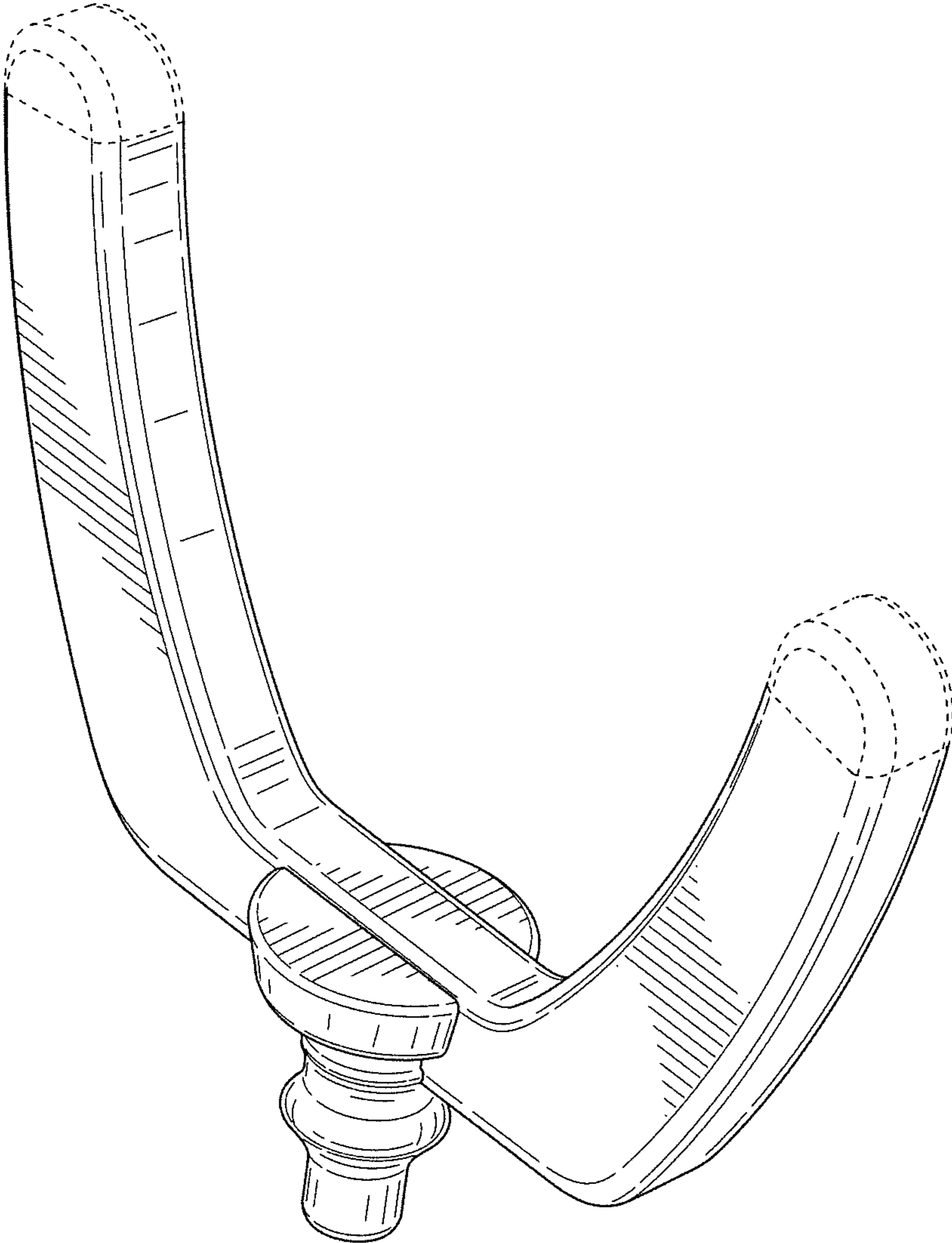


FIG. 1

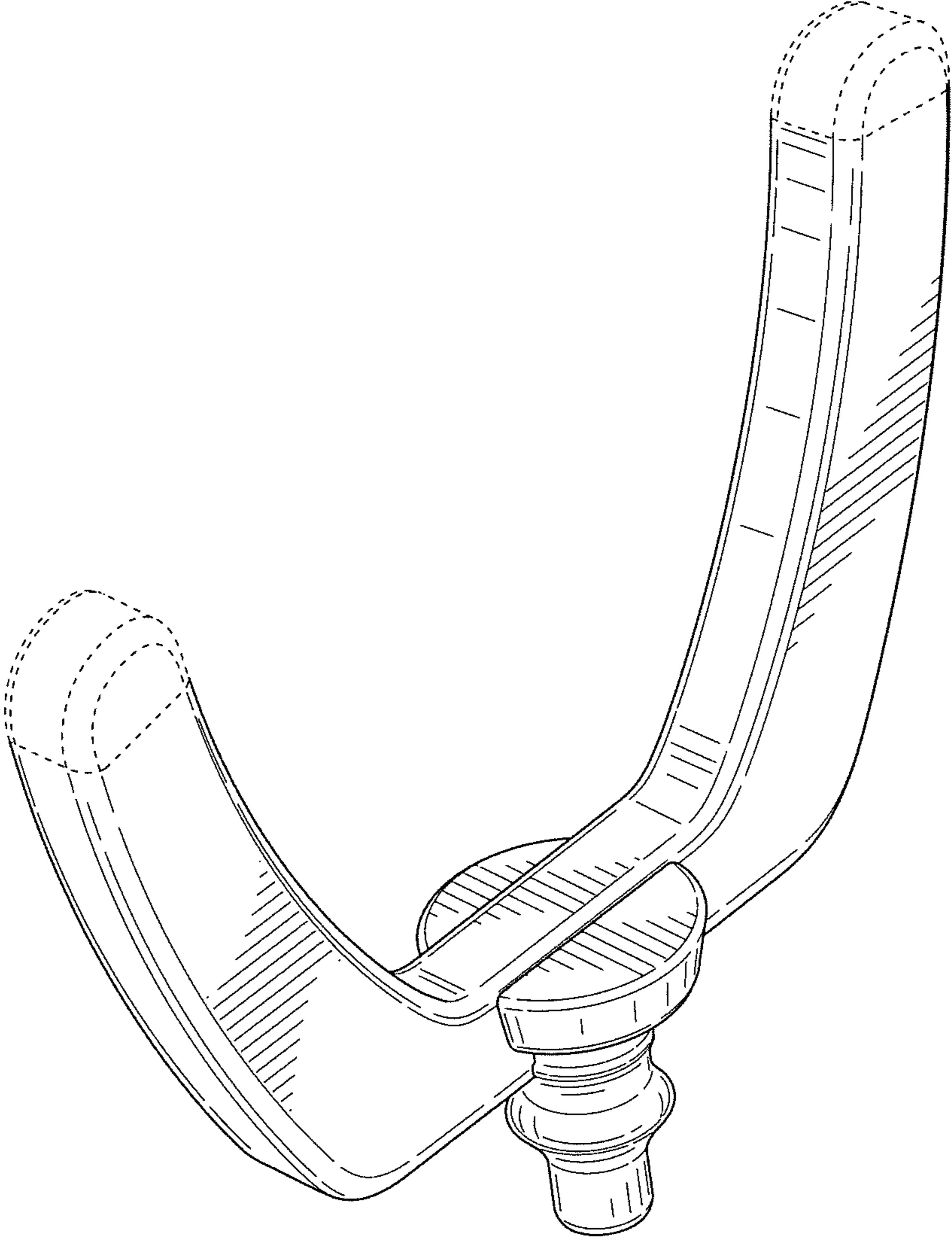


FIG. 2

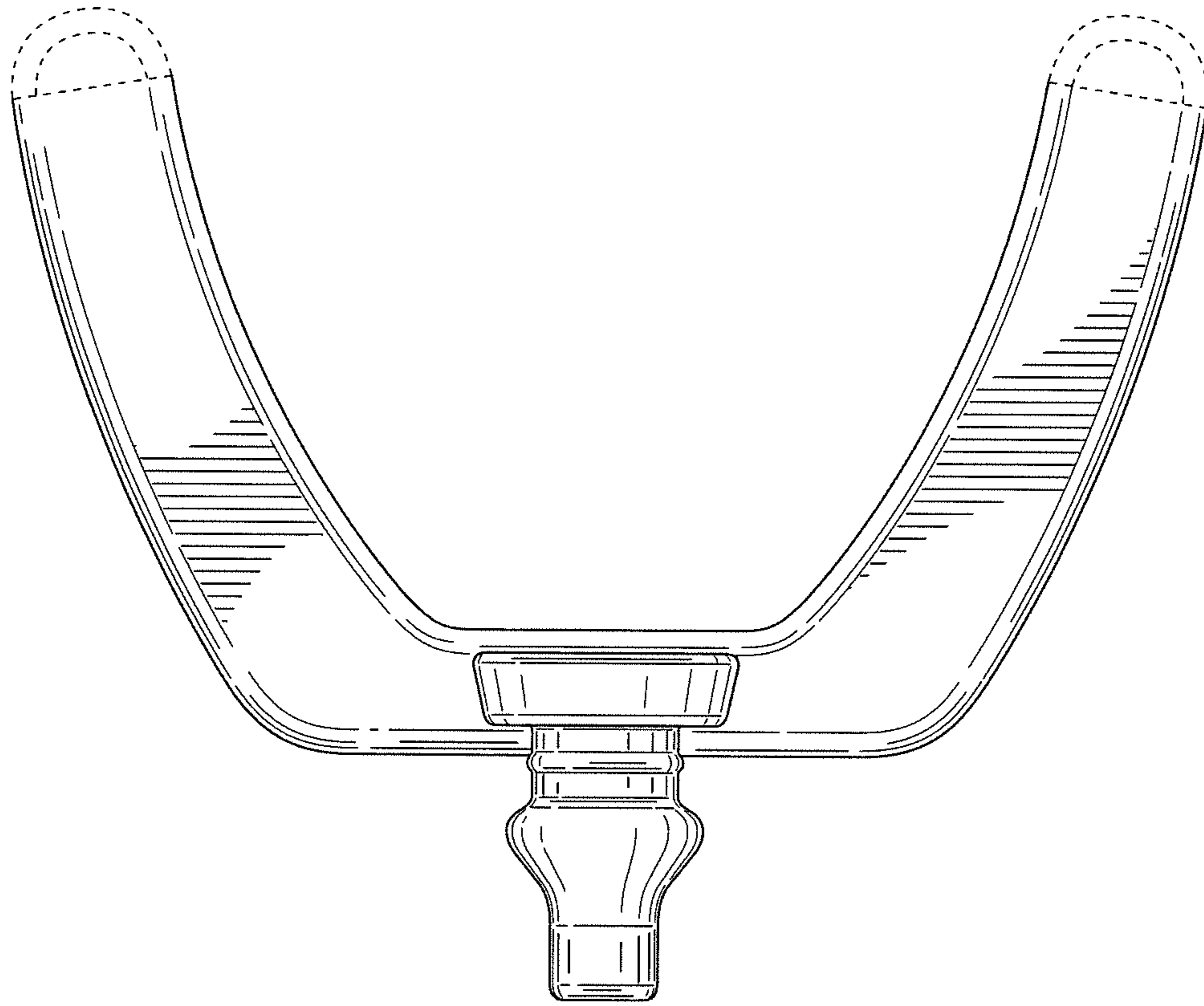


FIG. 3

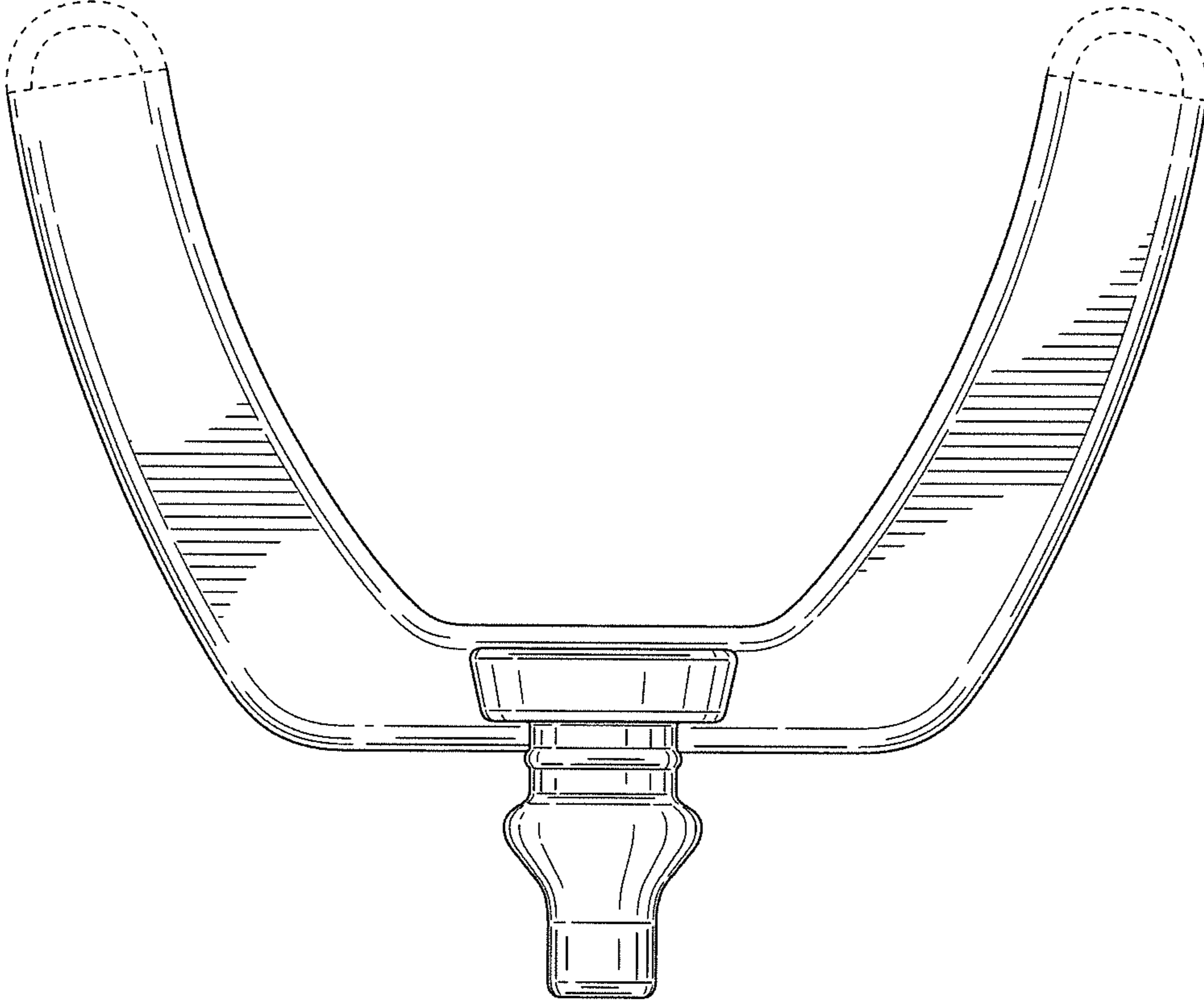


FIG. 4

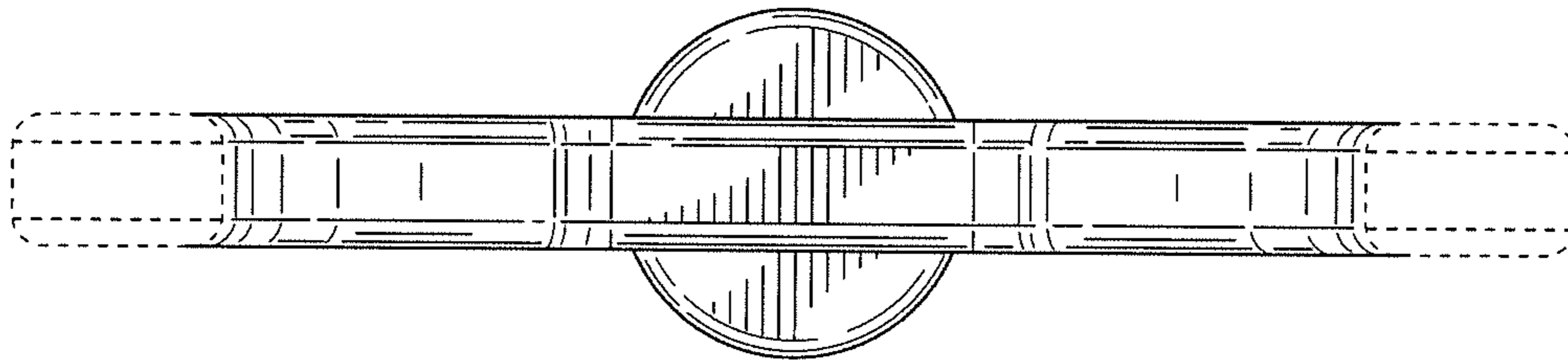


FIG. 5

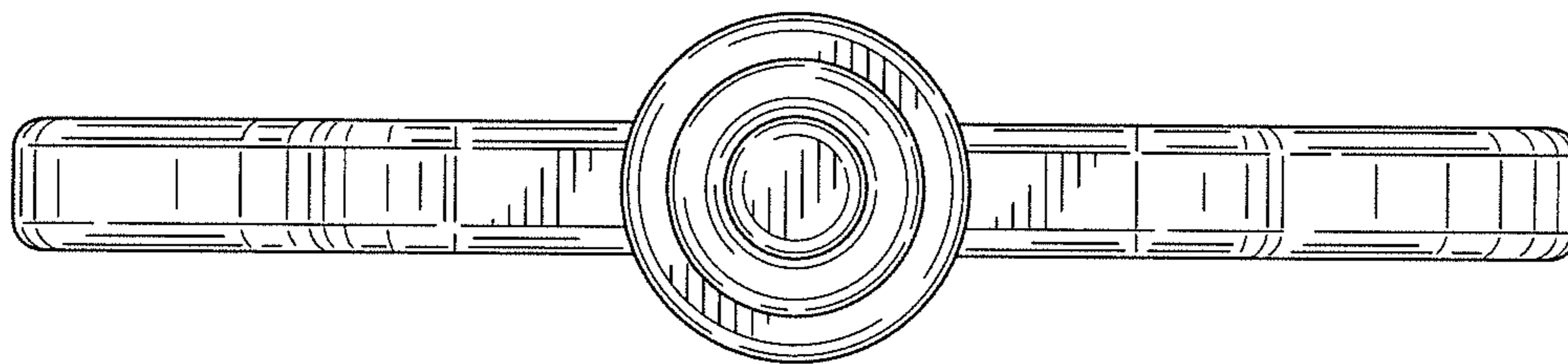


FIG. 6

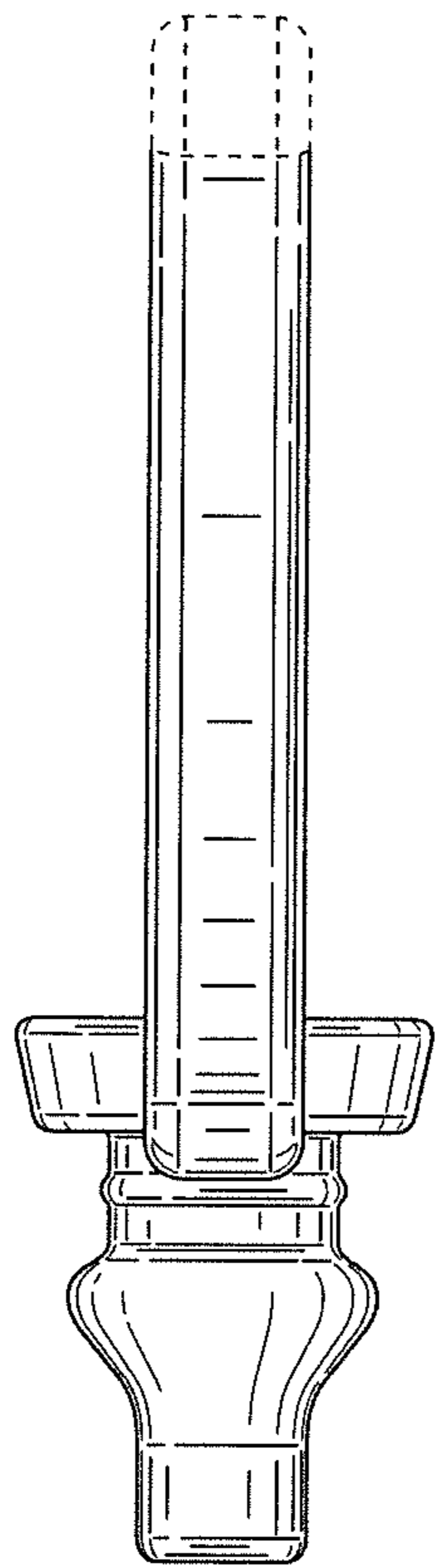


FIG. 7

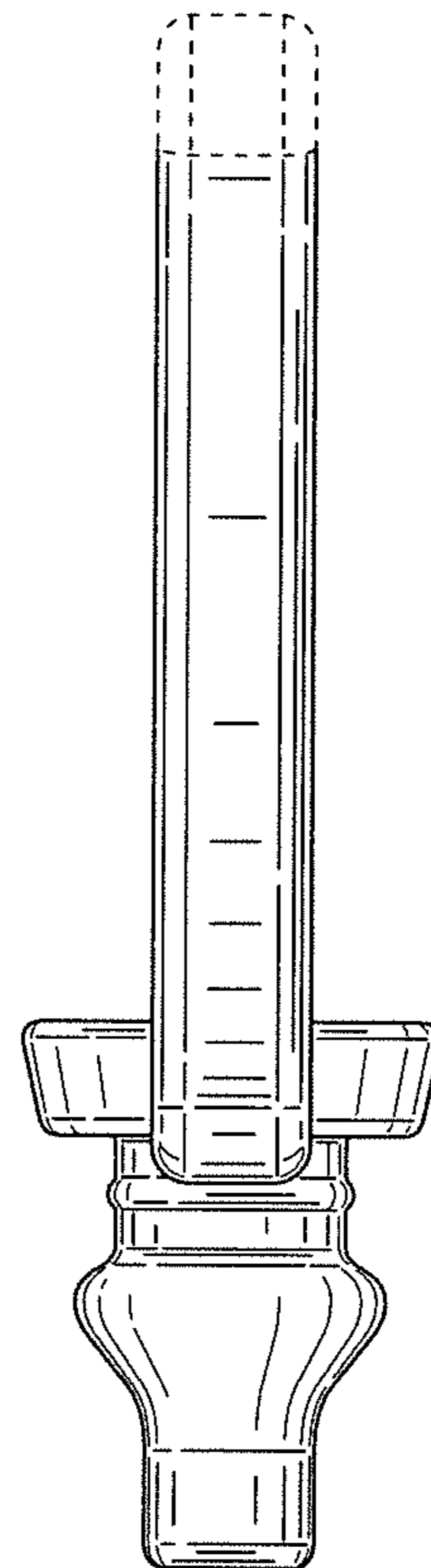


FIG. 8