

US00D901776S

(12) **United States Design Patent** (10) **Patent No.:** **US D901,776 S**
Faktorovich (45) **Date of Patent:** **** Nov. 10, 2020**

(54) **SAFETY RAZOR**

(71) Applicant: **Edgewell Personal Care Brands, LLC**, Shelton, CT (US)

(72) Inventor: **Dmitriy Faktorovich**, Oakland, NJ (US)

(73) Assignee: **EDGEWELL PERSONAL CARE BRANDS, LLC**, Chesterfield, MO (US)

(**) Term: **15 Years**

(21) Appl. No.: **29/688,774**

(22) Filed: **Apr. 24, 2019**

(51) **LOC (12) Cl.** **28-03**

(52) **U.S. Cl.**
 USPC **D28/46**

(58) **Field of Classification Search**
 USPC D28/46-48
 CPC B26B 21/00-06; B26B 21/08-38; B26B 21/44-50; B26B 21/405-4056; B26B 21/52-528

See application file for complete search history.

D841,241 S * 2/2019 Everard D28/46
 D843,657 S * 3/2019 Khubani D28/46
 D844,897 S 4/2019 Howsam et al.
 D874,726 S * 2/2020 Everard D28/46
 D875,314 S * 2/2020 Makabi D28/48
 D875,315 S * 2/2020 Makabi D28/48
 2018/0161999 A1 6/2018 Depaz
 2018/0290319 A1* 10/2018 Horton B26B 21/56

(56) **References Cited**

U.S. PATENT DOCUMENTS

2,720,695 A * 10/1955 Sabiers B26B 21/18
 30/31
 2,865,096 A * 12/1958 Hanset B26B 21/24
 30/40
 D252,528 S * 7/1979 Harshberger D28/46
 D816,271 S 4/2018 Huang

OTHER PUBLICATIONS

https://www.amazon.com/Wilkinson-Sword-Blade-Razor-Refills/dp/B087CQ6TZV/ref=sr_1_6?dchild=1&keywords=Wilkinson+Sword+&qid=1596464214&sr=8-6 Wilkinson Sword Quad, 1 page, reviewed as early as Jul. 2020, www.amazon.com (Year: 2020).*

* cited by examiner

Primary Examiner — Jennifer Rivard

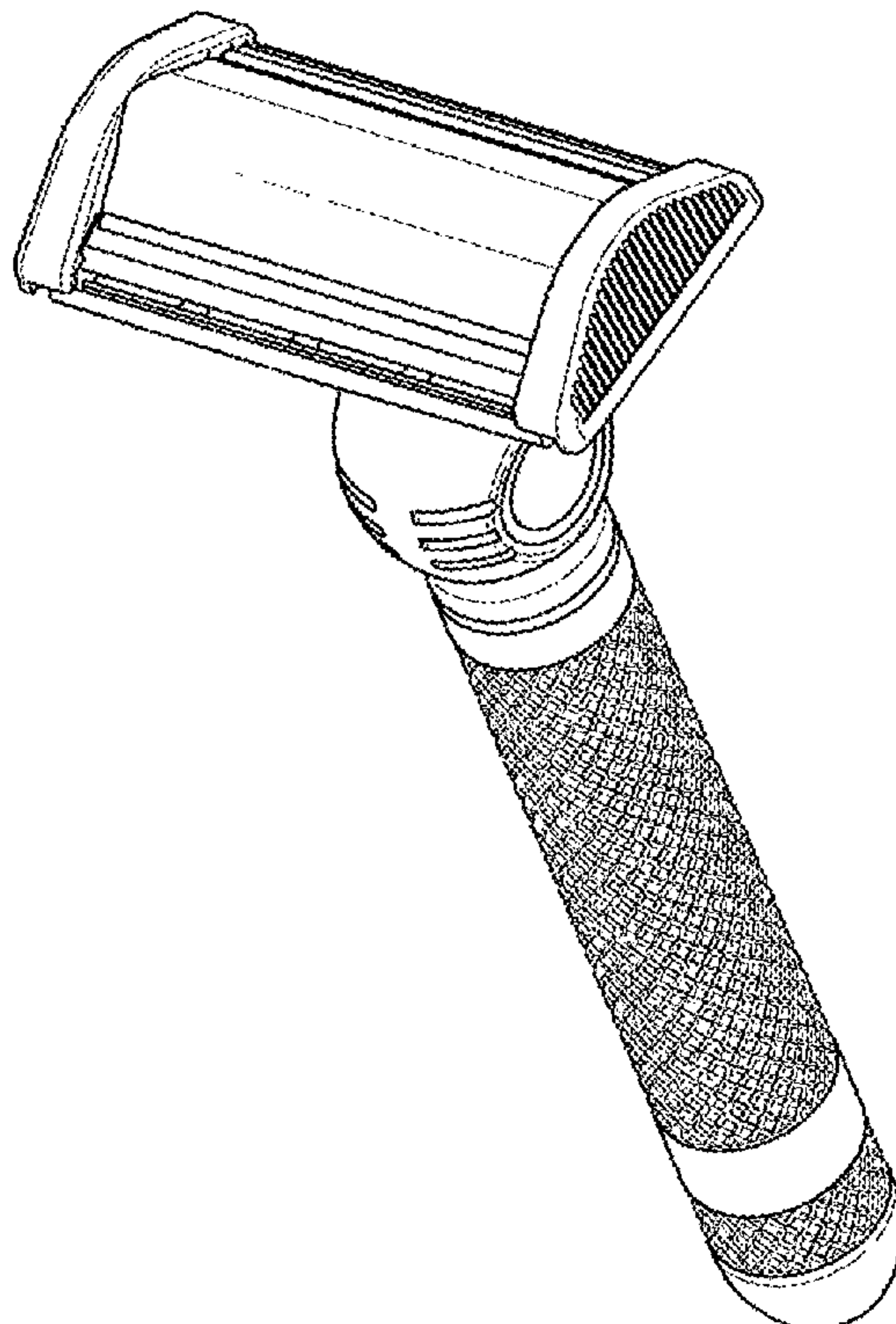
(57) **CLAIM**

I claim the ornamental design for the safety razor, as shown and described.

DESCRIPTION

FIG. 1 is an upper perspective view of a safety razor.
 FIG. 2 is a lower perspective view thereof.
 FIG. 3 is a rear view thereof.
 FIG. 4 is a front view thereof.
 FIG. 5 is a left side view.
 FIG. 6 is a right side view.
 FIG. 7 is a top view thereof; and,
 FIG. 8 is a bottom view thereof.

1 Claim, 4 Drawing Sheets



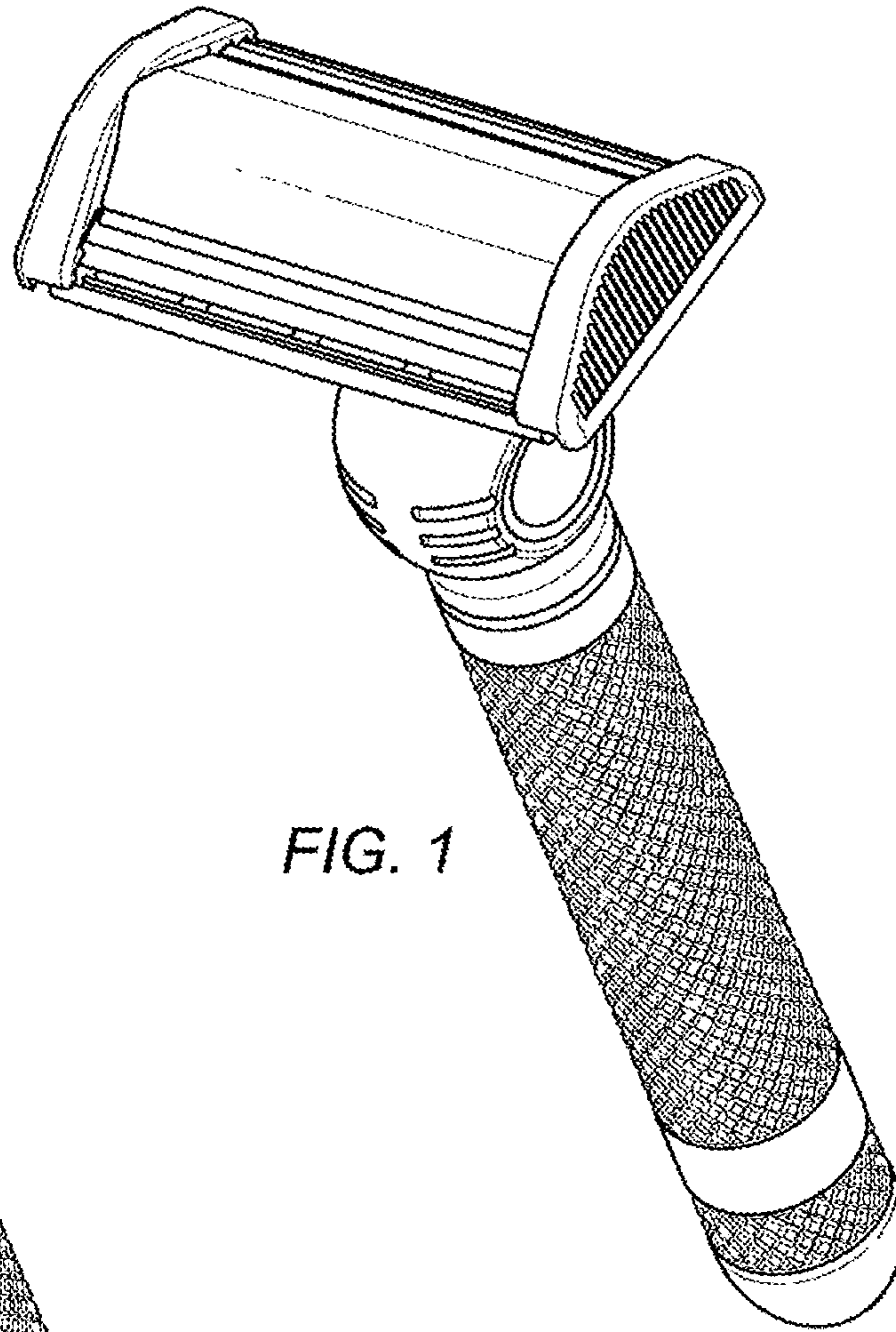


FIG. 1

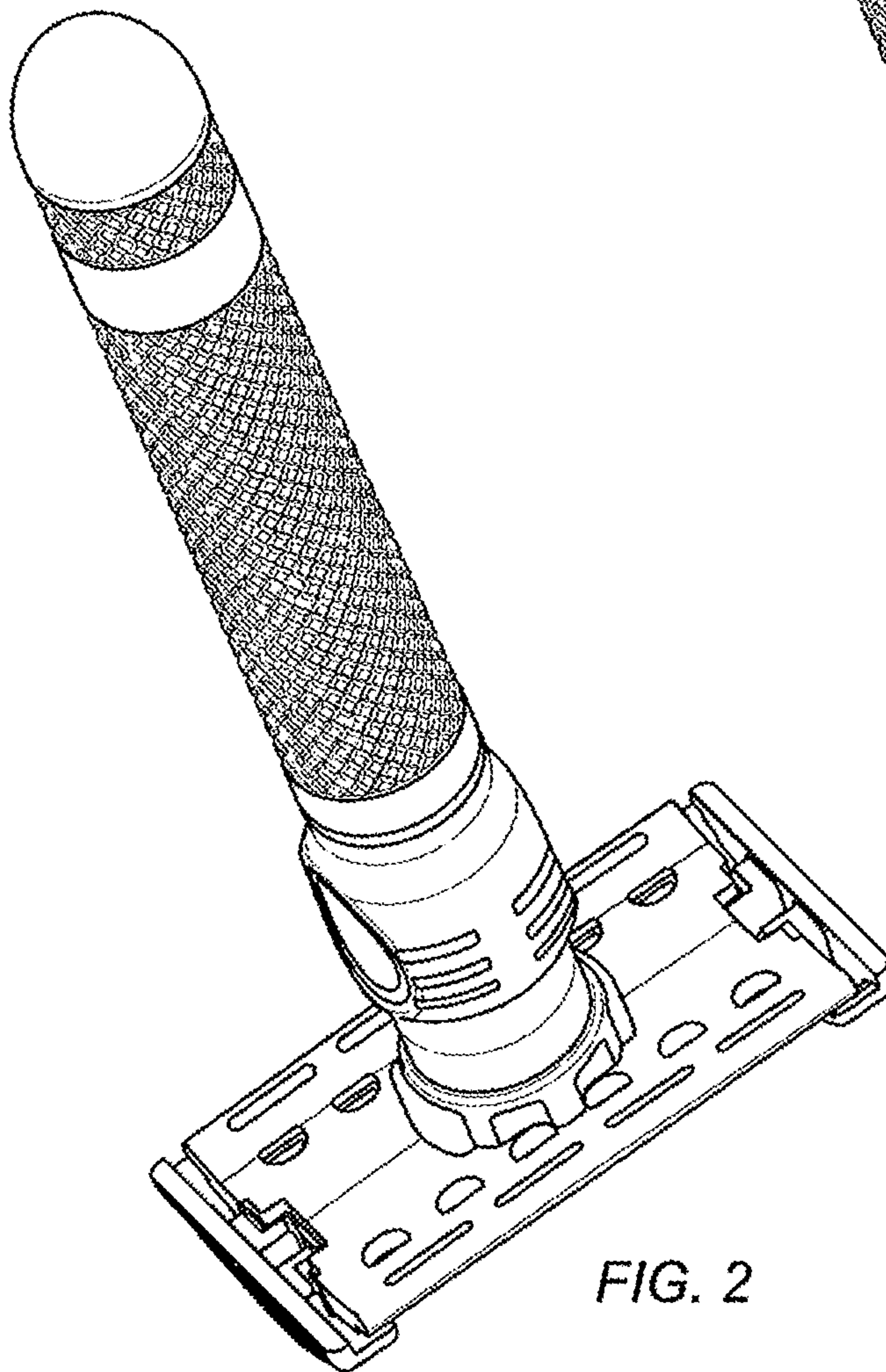


FIG. 2

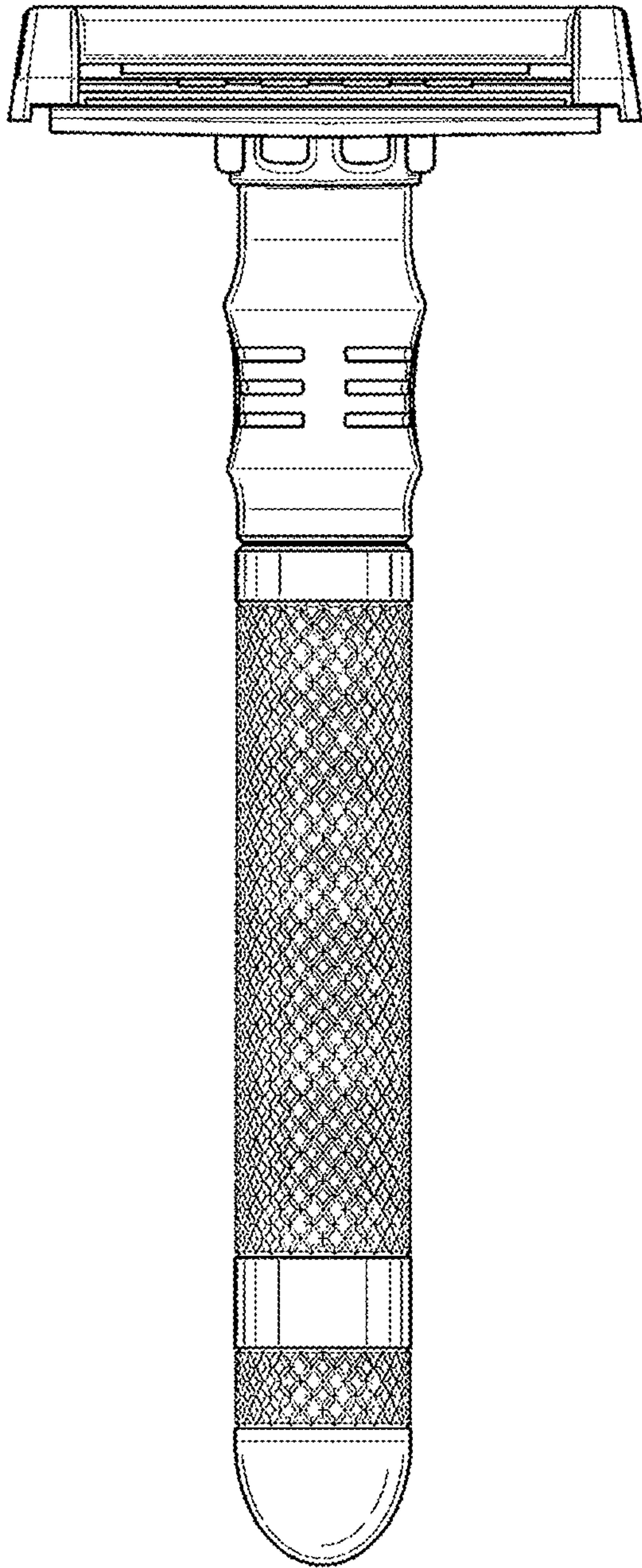


FIG. 3

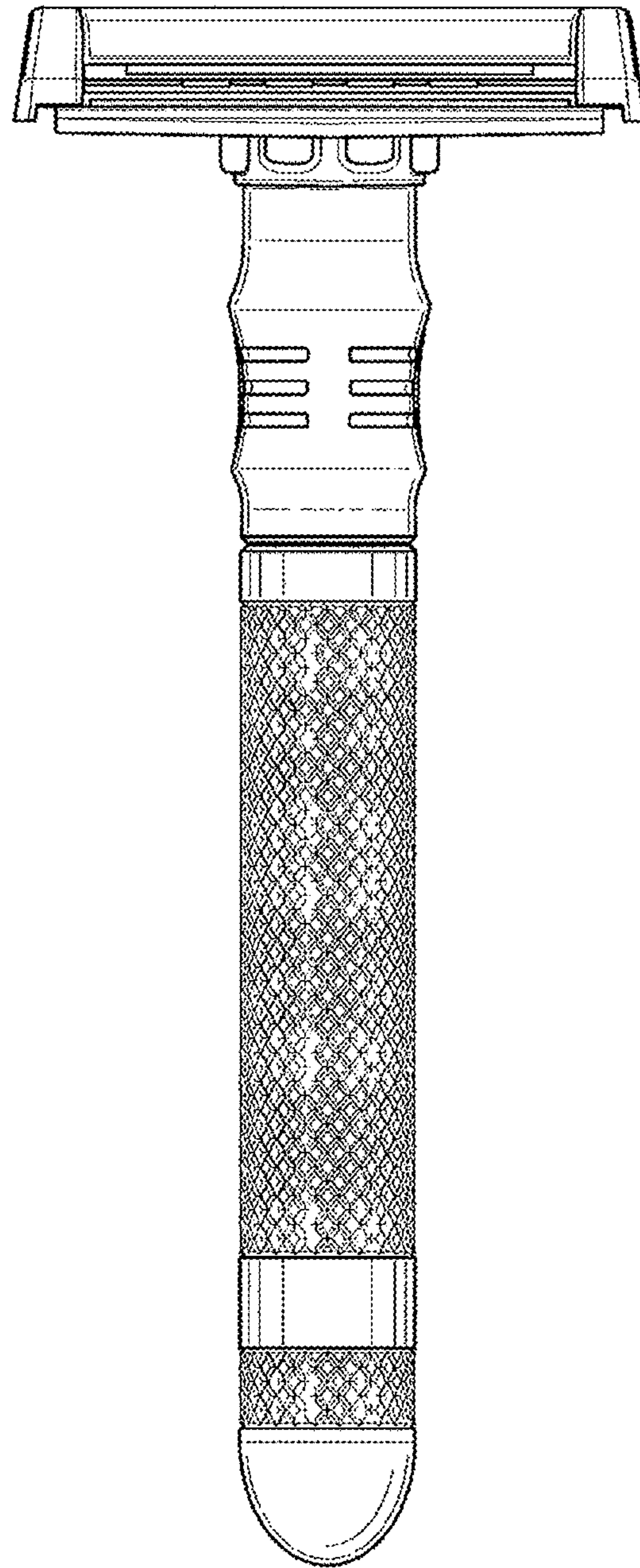


FIG. 4

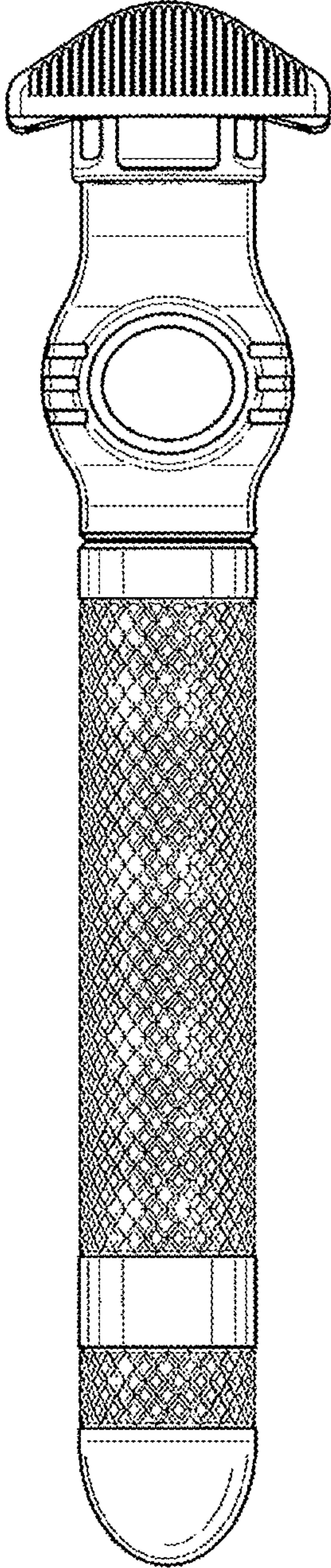


FIG. 5

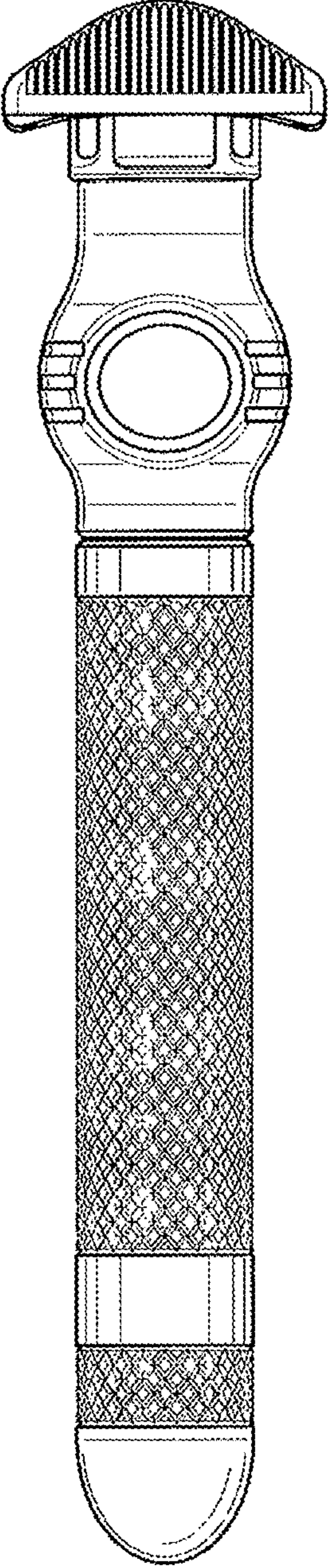


FIG. 6

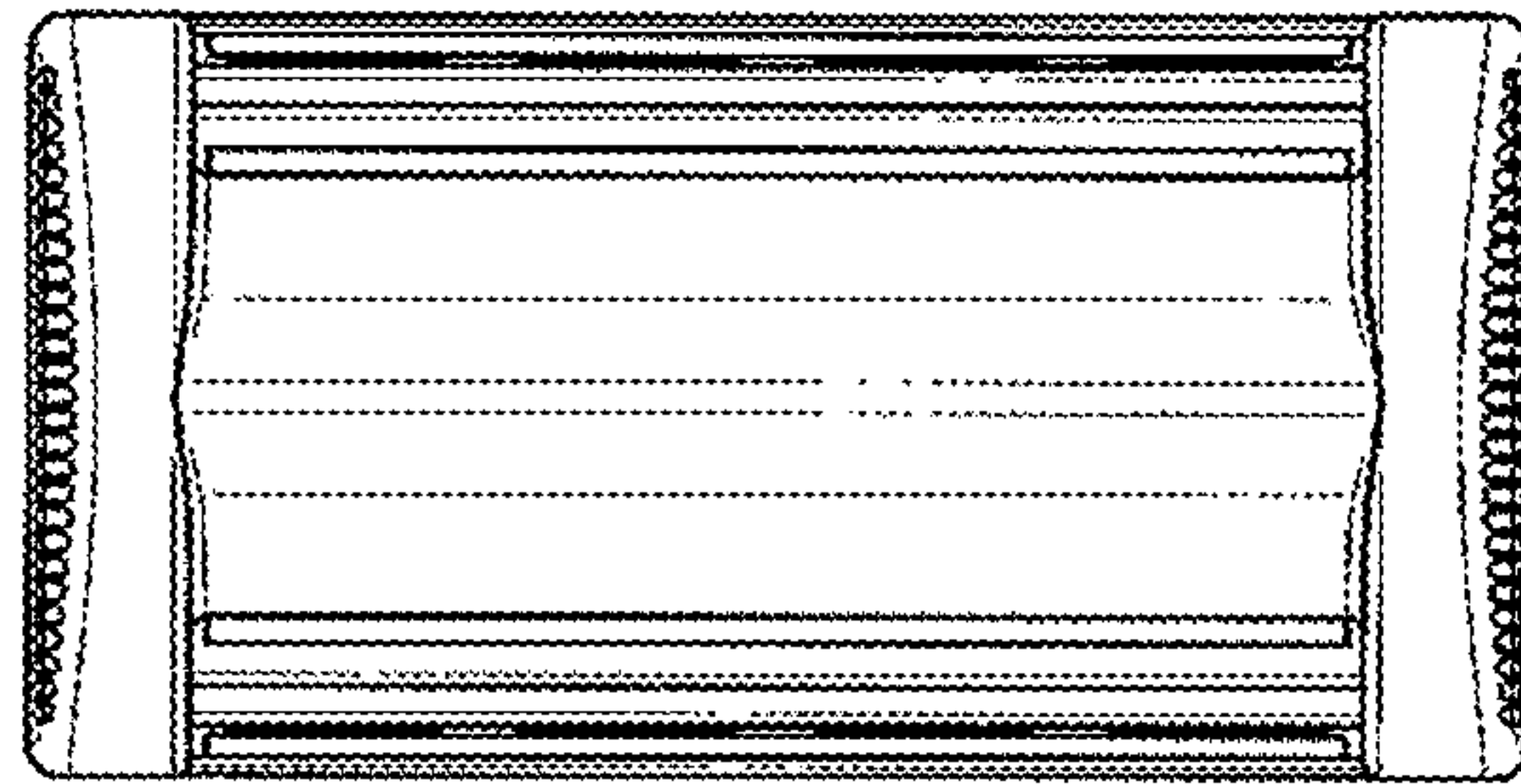


FIG. 7

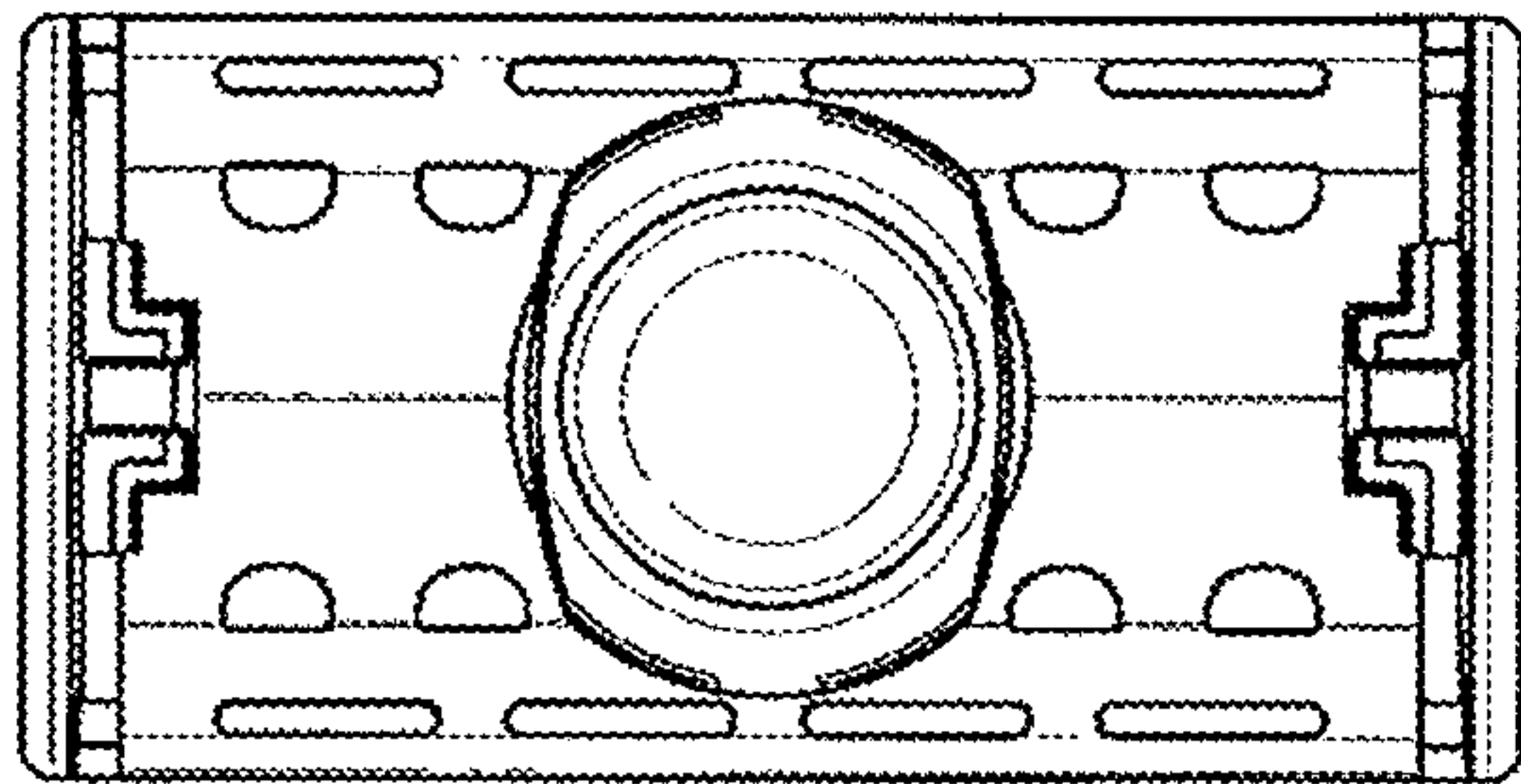


FIG. 8