



US00D901775S

(12) **United States Design Patent** (10) **Patent No.:** **US D901,775 S**  
**Bowker et al.** (45) **Date of Patent:** **\*\* Nov. 10, 2020**

(54) **SAFETY RAZOR**  
(71) Applicant: **Edgewell Personal Care Brands, LLC**, Chesterfield, MO (US)  
(72) Inventors: **Megan Bowker**, New York, NY (US); **Adrian Candela**, New York, NY (US); **Antonia Lazar**, New York, NY (US); **Thomas Wilder**, New York, NY (US)  
(73) Assignee: **EDGEWELL PERSONAL CARE BRANDS, LLC**, Chesterfield, MO (US)

D386,820 S \* 11/1997 Morrissette ..... D28/46  
D392,417 S 3/1998 Gray  
D396,129 S 7/1998 Gray  
D397,512 S 8/1998 Gray  
D406,393 S 3/1999 Gray  
D509,321 S 9/2005 Gray  
D567,442 S \* 4/2008 McMullan ..... D28/46  
D700,995 S \* 3/2014 Lee ..... D28/48  
D700,996 S \* 3/2014 Lee ..... D28/48  
D741,015 S \* 10/2015 Sacks ..... D28/48  
D823,541 S \* 7/2018 Wertz ..... D28/46  
2017/0297212 A1 \* 10/2017 Nordstrom ..... B26B 21/521  
2019/0224870 A1 \* 7/2019 Robinson ..... B26B 21/227  
2019/0270211 A1 \* 9/2019 Harris, II ..... B26B 21/521

(\*\*) Term: **15 Years**

**FOREIGN PATENT DOCUMENTS**

(21) Appl. No.: **29/685,624**  
(22) Filed: **Mar. 29, 2019**  
(51) **LOC (12) Cl.** ..... **28-03**  
(52) **U.S. Cl.**  
USPC ..... **D28/46**  
(58) **Field of Classification Search**  
USPC ..... D28/46-48  
CPC ..... B26B 21/00-06; B26B 21/08-38; B26B 21/44-50; B26B 21/405-4056; B26B 21/52-528  
See application file for complete search history.

GB 674663 6/1952  
GB 1209281 10/1970

\* cited by examiner

*Primary Examiner* — Jennifer Rivard

(57) **CLAIM**

We claim the ornamental design for the safety razor, as shown and described.

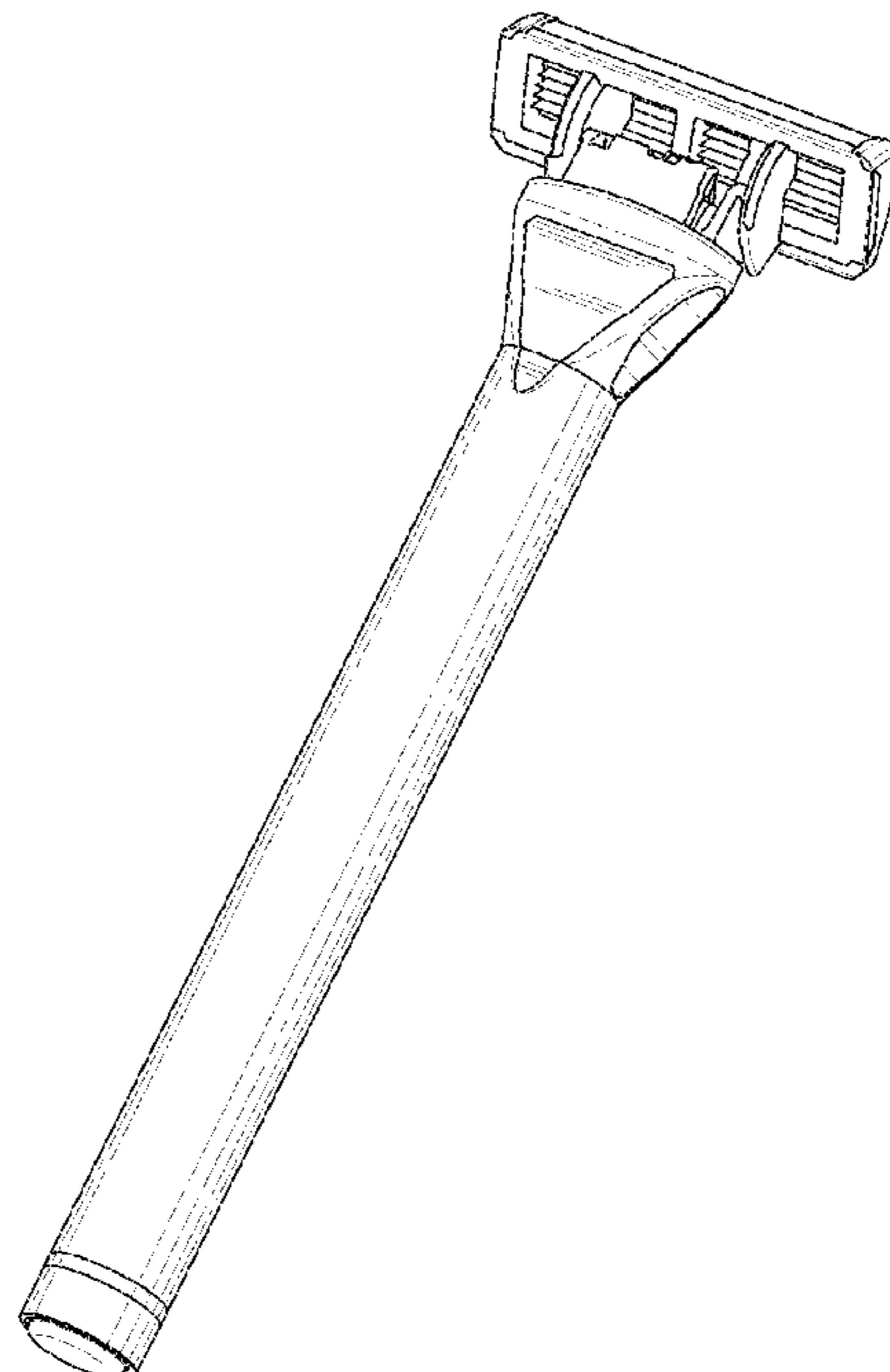
**DESCRIPTION**

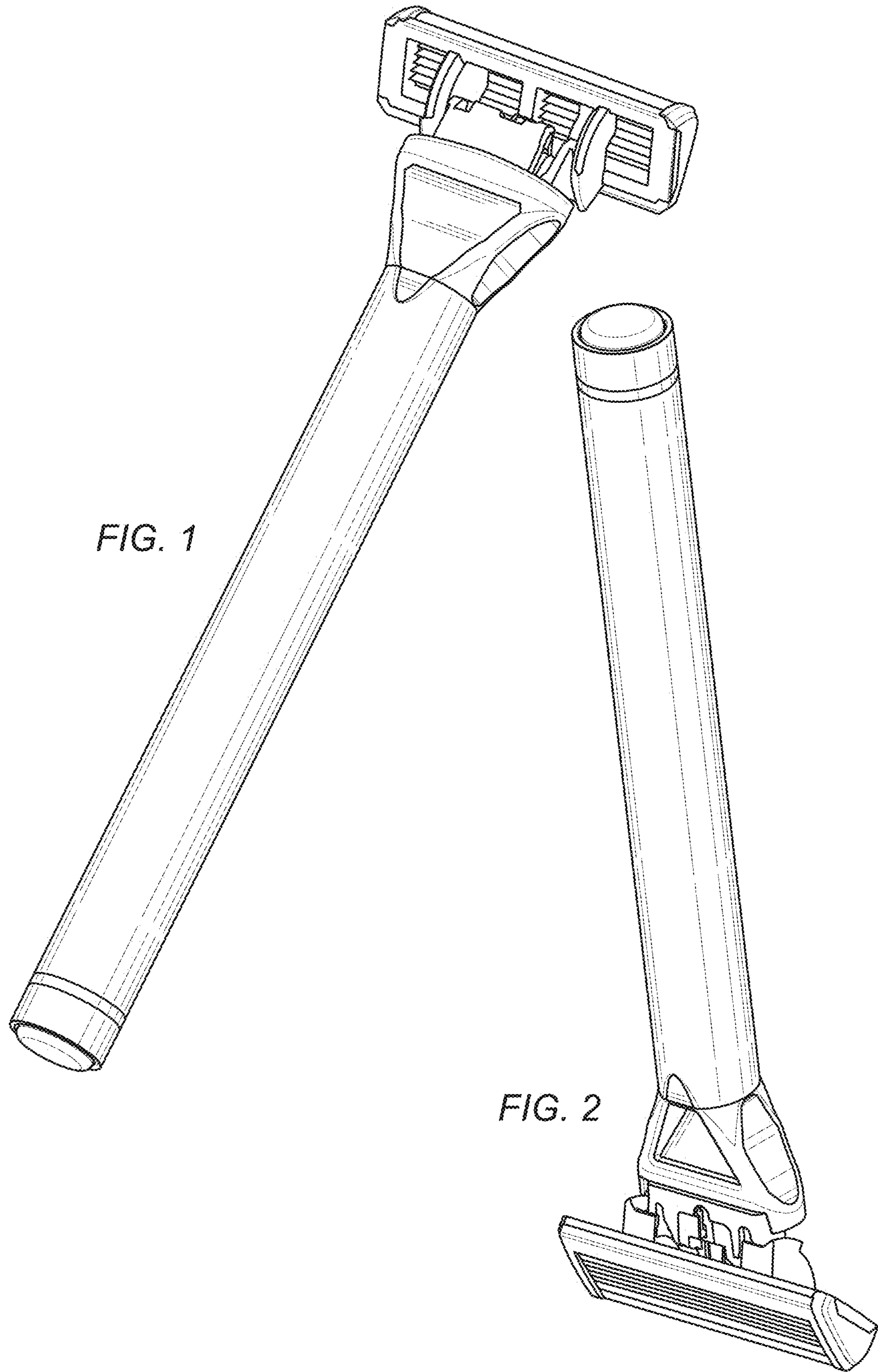
FIG. 1 is an upper perspective view of a safety razor.  
FIG. 2 is a lower perspective view thereof.  
FIG. 3 is a rear view thereof.  
FIG. 4 is a front view thereof.  
FIG. 5 is a left side view of FIG. 3.  
FIG. 6 is a right side view of FIG. 3.  
FIG. 7 is a top view thereof; and,  
FIG. 8 is a bottom view thereof.

(56) **References Cited**  
U.S. PATENT DOCUMENTS

1,826,410 A 10/1931 Aronson  
1,848,078 A 3/1932 Jansson  
2,001,198 A 5/1935 Klegman  
3,608,193 A 9/1971 Jerusalemi  
4,413,411 A \* 11/1983 Trotta ..... B26B 21/521  
30/526  
5,553,384 A \* 9/1996 Kim ..... B26B 21/522  
264/249

**1 Claim, 4 Drawing Sheets**





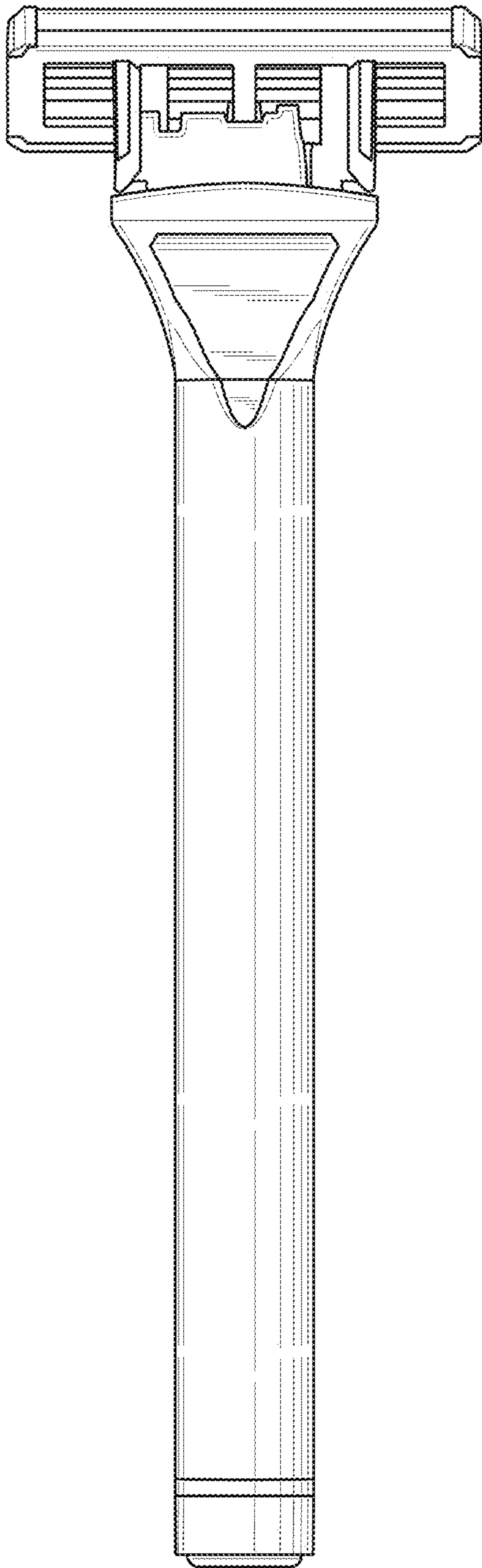


FIG. 3

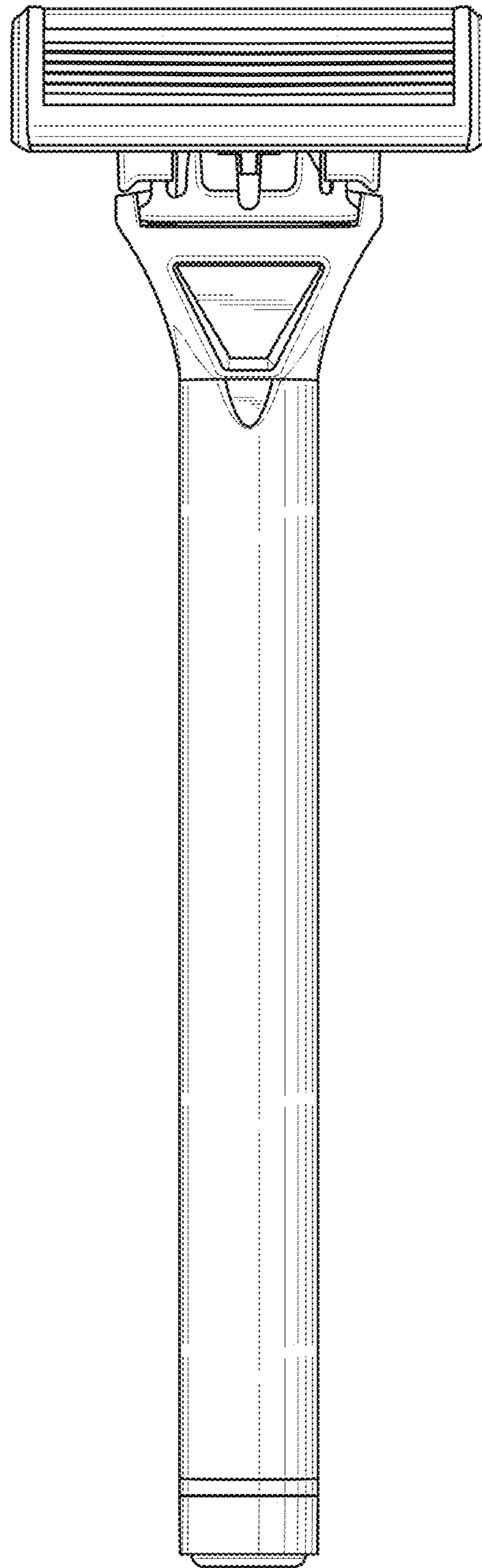


FIG. 4

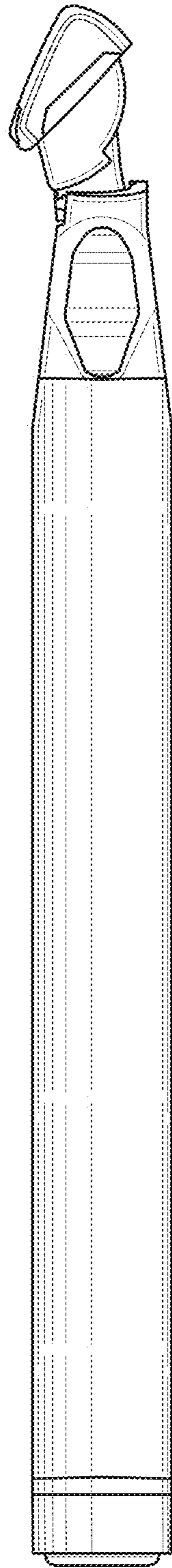


FIG. 5

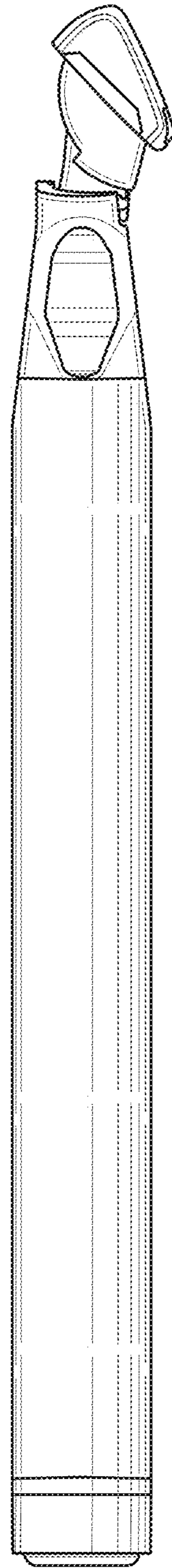


FIG. 6

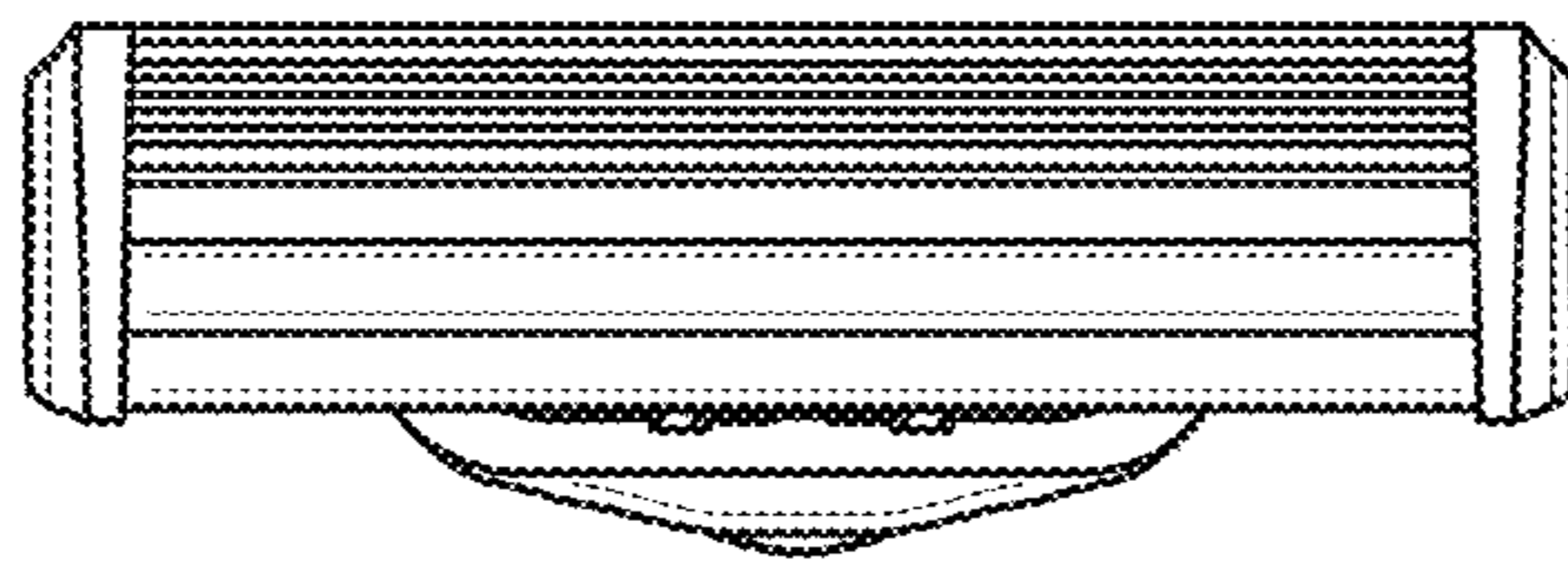


FIG. 7

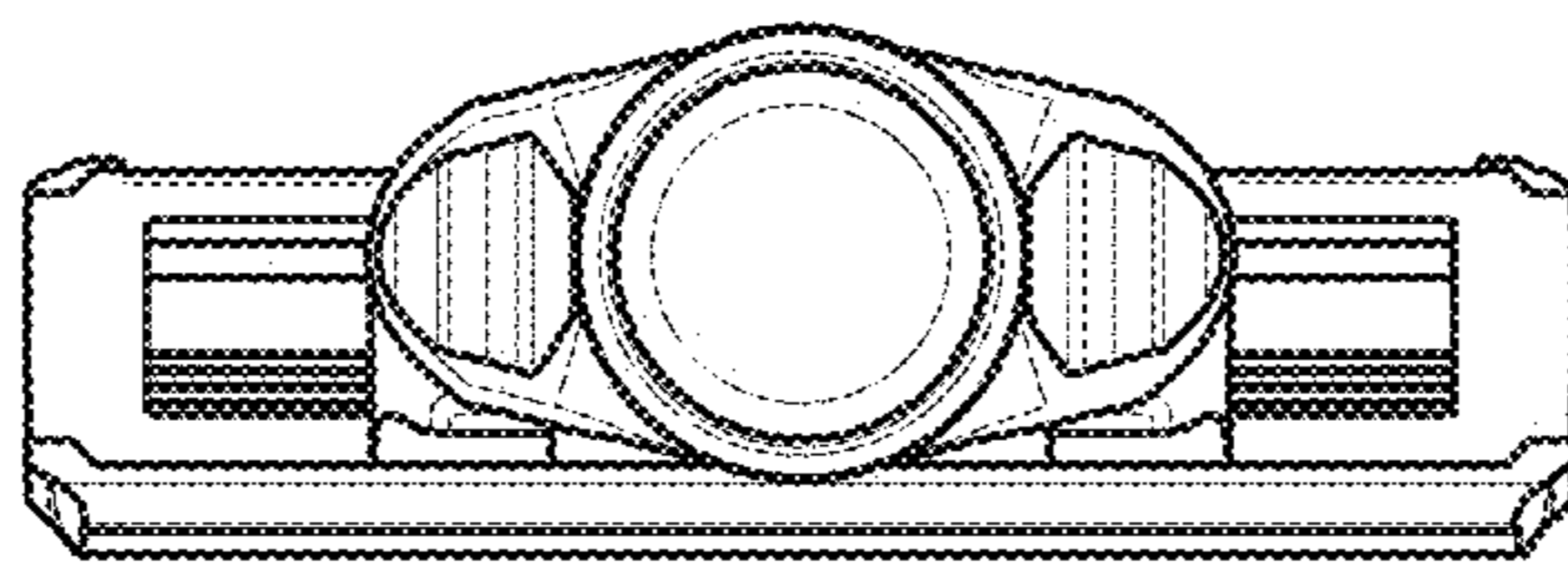


FIG. 8