



US00D901774S

(12) **United States Design Patent** (10) **Patent No.:** **US D901,774 S**
Liu (45) **Date of Patent:** **** Nov. 10, 2020**

(54) **HAIR REMOVER**

(71) Applicant: **Meiyun Liu**, Zhoukou (CN)

(72) Inventor: **Meiyun Liu**, Zhoukou (CN)

(**) Term: **15 Years**

(21) Appl. No.: **29/736,908**

(22) Filed: **Jun. 3, 2020**

(51) **LOC (12) Cl.** **28-03**

(52) **U.S. Cl.**
USPC **D28/44.1; D24/209**

(58) **Field of Classification Search**
USPC D28/44.1; D24/200, 209, 214
CPC A61B 18/203; A61B 18/00; A45D 26/00;
A45D 2200/205; A45D 2200/15-157
See application file for complete search history.

(56) **References Cited**

U.S. PATENT DOCUMENTS

D685,523 S *	7/2013	Buogo	D28/44.1
D705,484 S *	5/2014	Bourgeois	D28/44.1
D705,989 S *	5/2014	Levi	D28/44.1
D705,992 S *	5/2014	Levi	D28/44.1
D776,873 S *	1/2017	Levi	D28/44.1
D776,874 S *	1/2017	Kling	D28/44.1
D789,604 S *	6/2017	Levi	D28/44.1
D802,841 S *	11/2017	Kling	D28/44.1
D820,464 S *	6/2018	Gabriele	D24/209

D860,534 S *	9/2019	Huang	D28/44.1
D872,362 S *	1/2020	Long	D28/44.1
D891,697 S *	7/2020	Van Maanen	D28/44
2017/0043189 A1 *	2/2017	Stoddard	A61B 8/4281

OTHER PUBLICATIONS

Chinese factory Velec D3701, www.alibaba.com, 1 page, downloaded Sep. 29, 2020 (Year: 2020).*

* cited by examiner

Primary Examiner — Jennifer Rivard

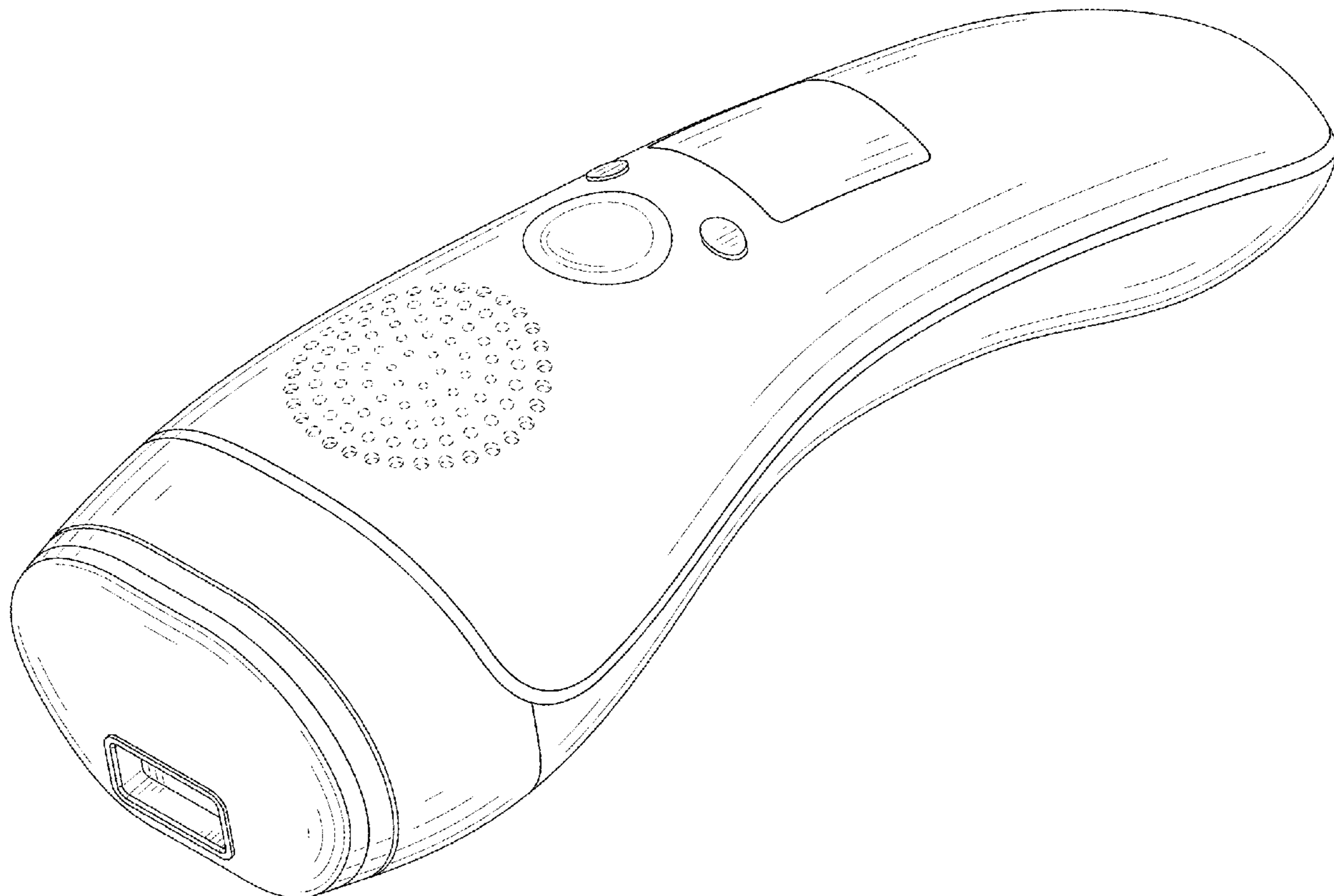
(57) **CLAIM**

The ornamental design for a hair remover, as shown and described.

DESCRIPTION

FIG. 1 is a perspective view of a hair remover showing my new design;
FIG. 2 is another perspective view thereof;
FIG. 3 is a front elevational view thereof;
FIG. 4 is a rear elevational view thereof;
FIG. 5 is a left side elevational view thereof;
FIG. 6 is a right side elevational view thereof;
FIG. 7 is a top plan view thereof; and,
FIG. 8 is a bottom plan view thereof.
The broken lines in the drawings depict portions of the hair remover that form no part of the claimed design.

1 Claim, 8 Drawing Sheets



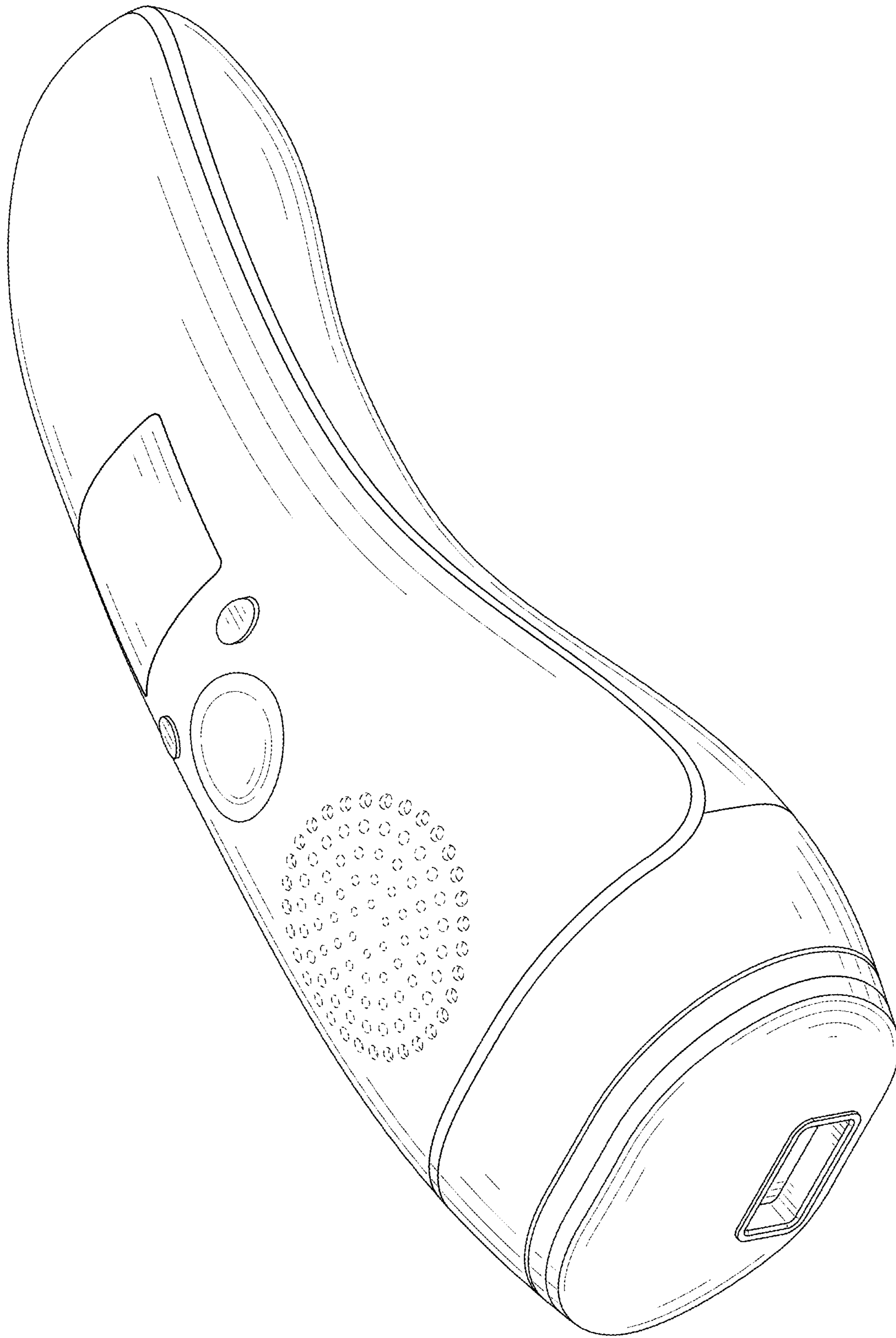


FIG. 1

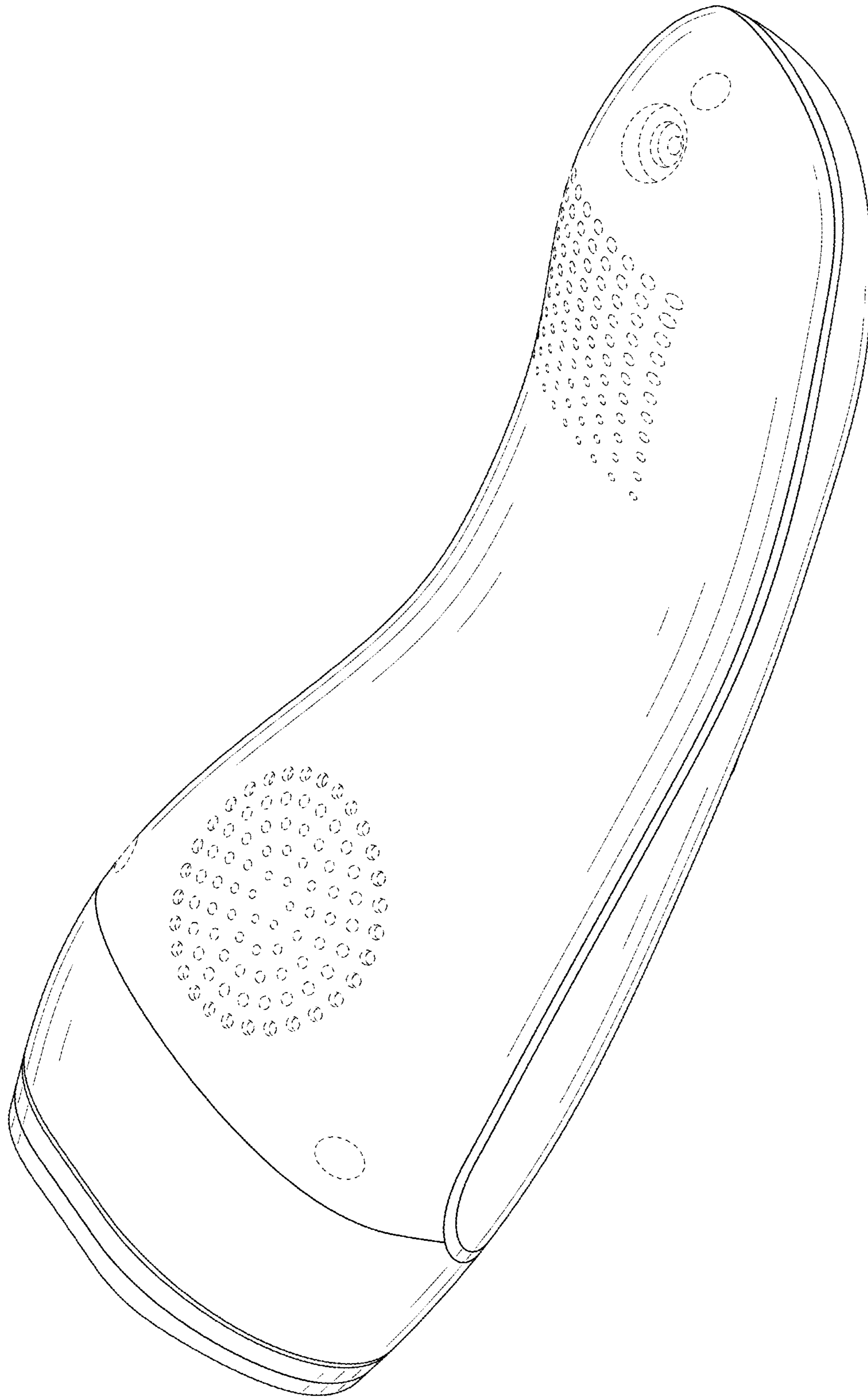


FIG. 2

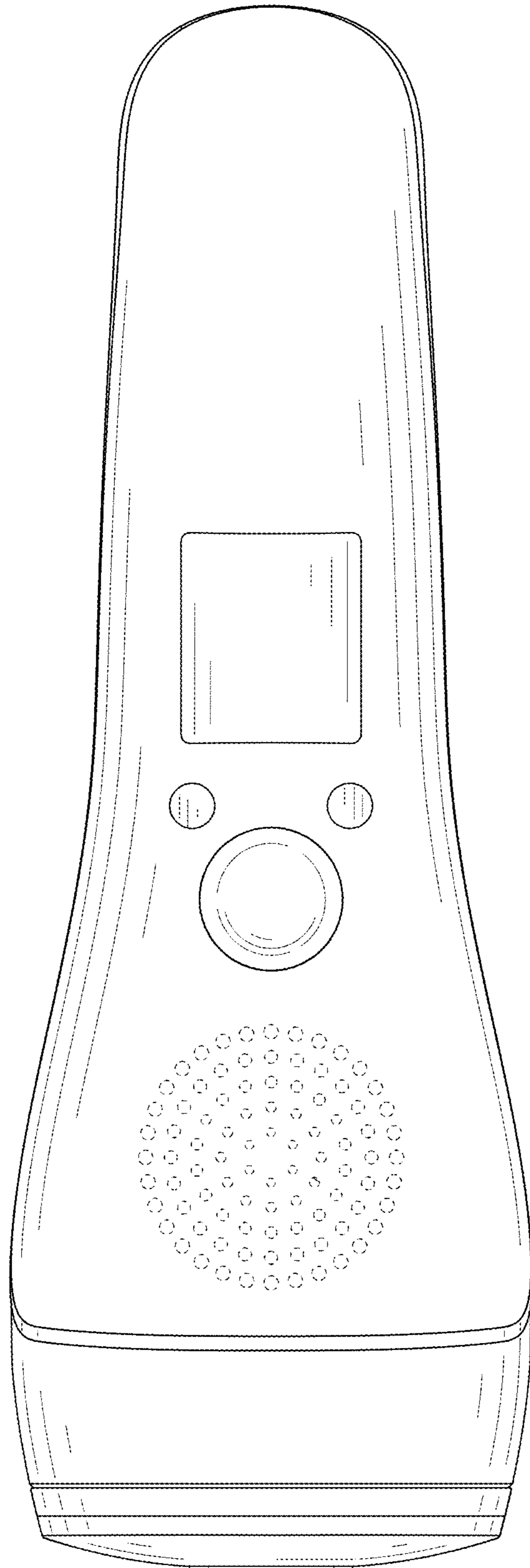


FIG. 3

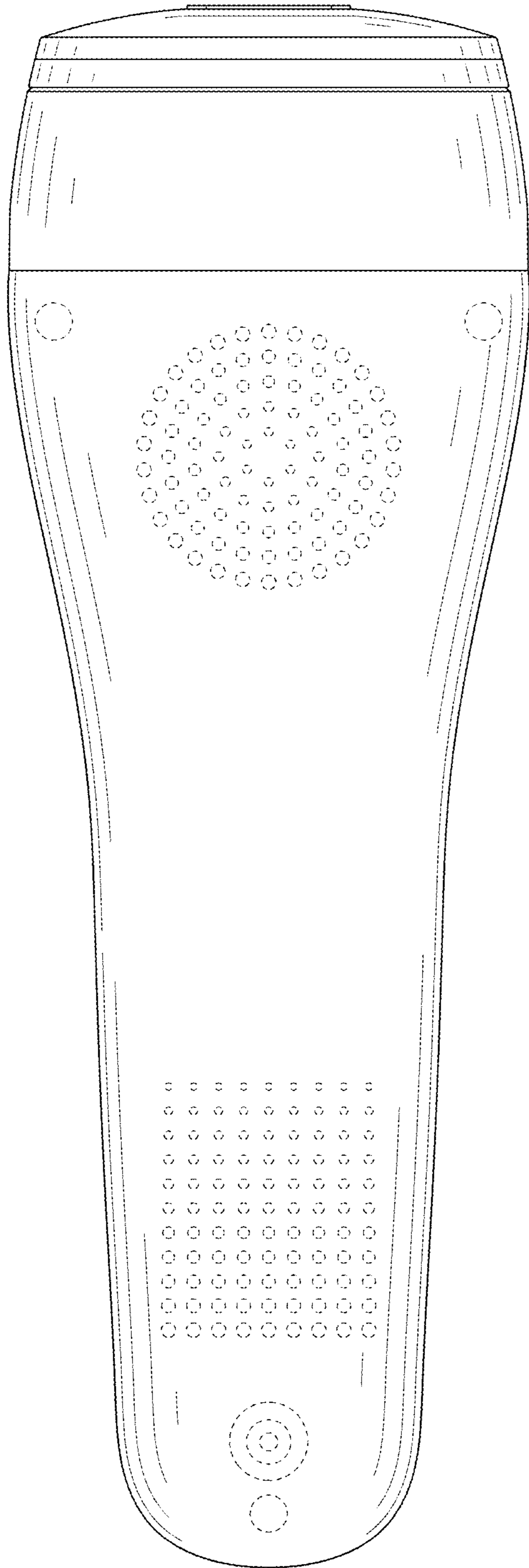


FIG. 4

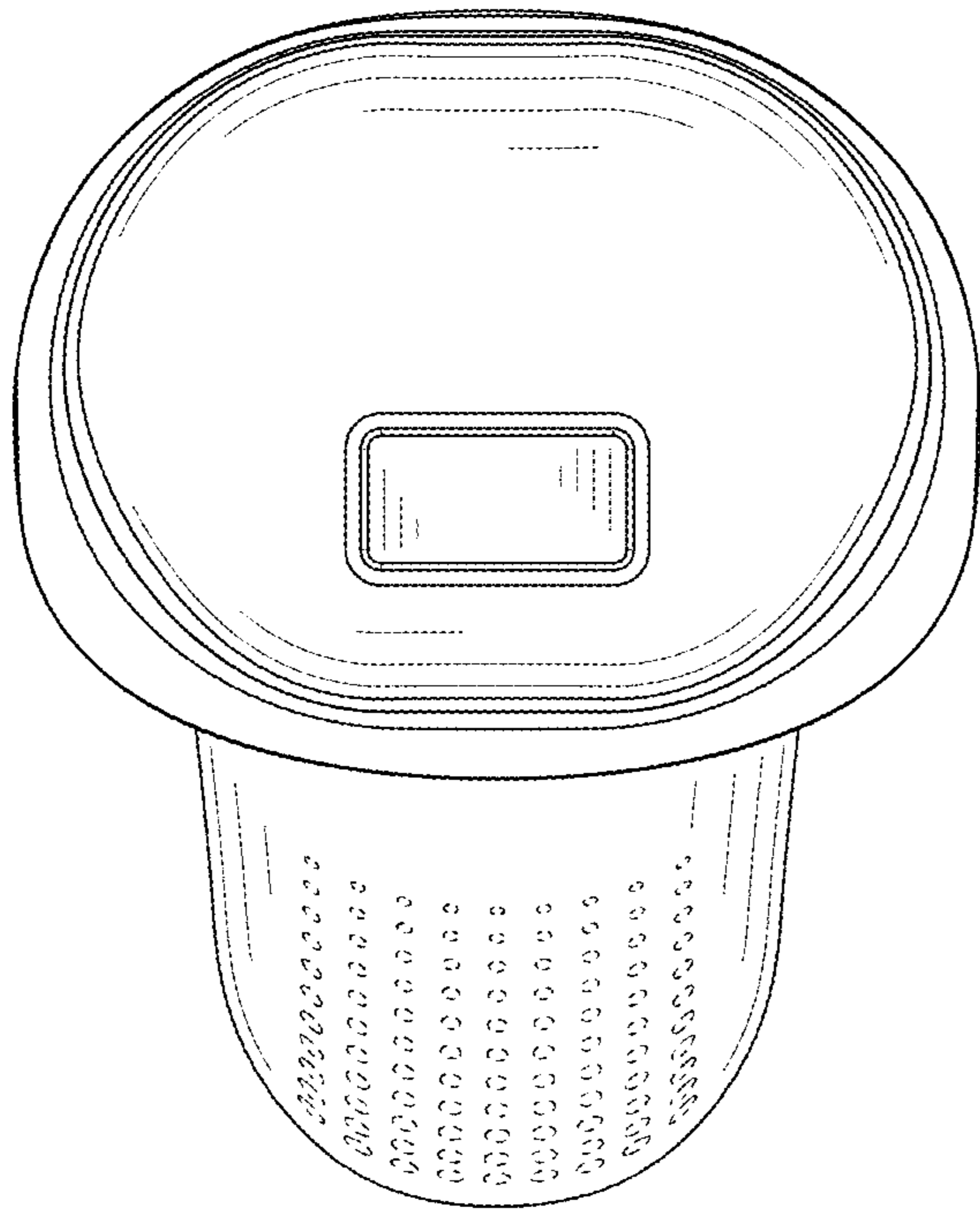


FIG. 5

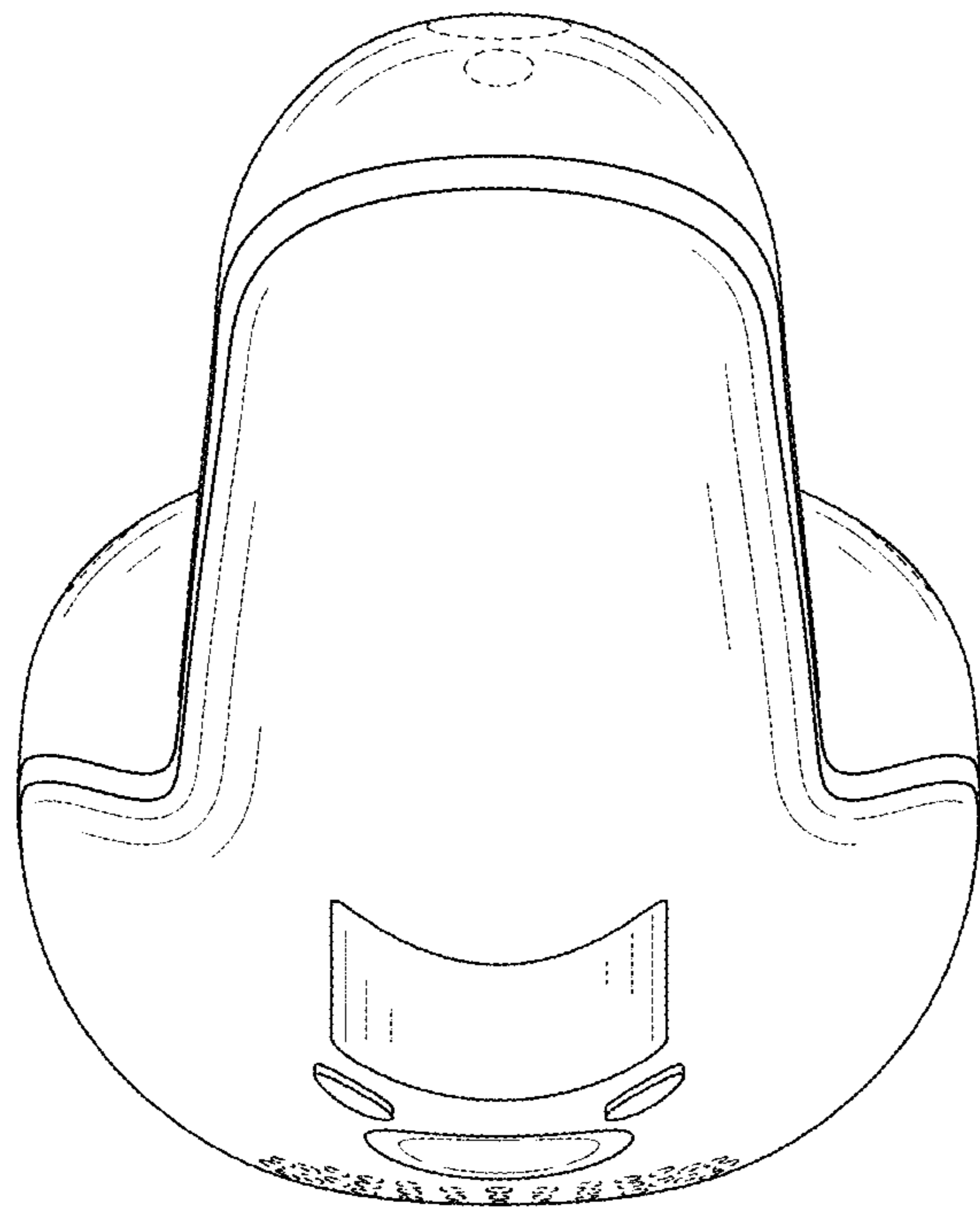


FIG. 6

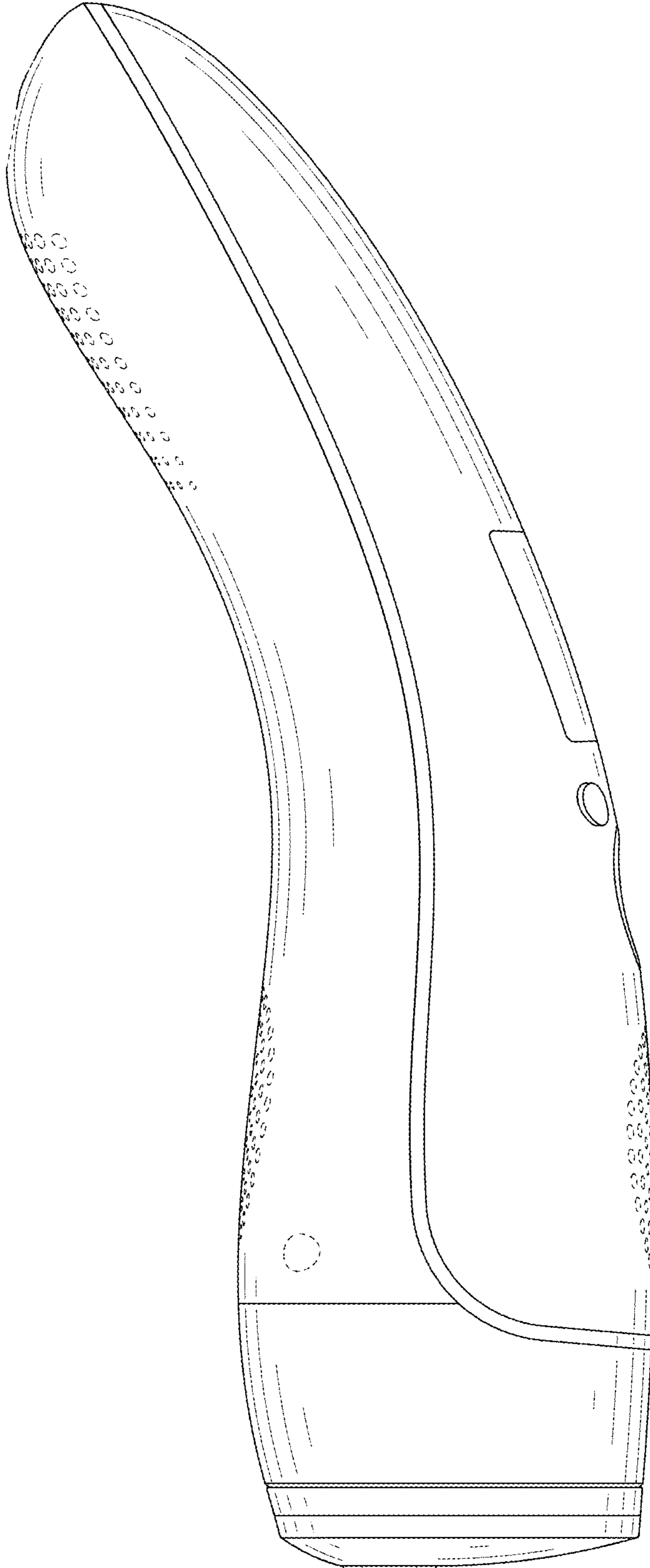


FIG. 7

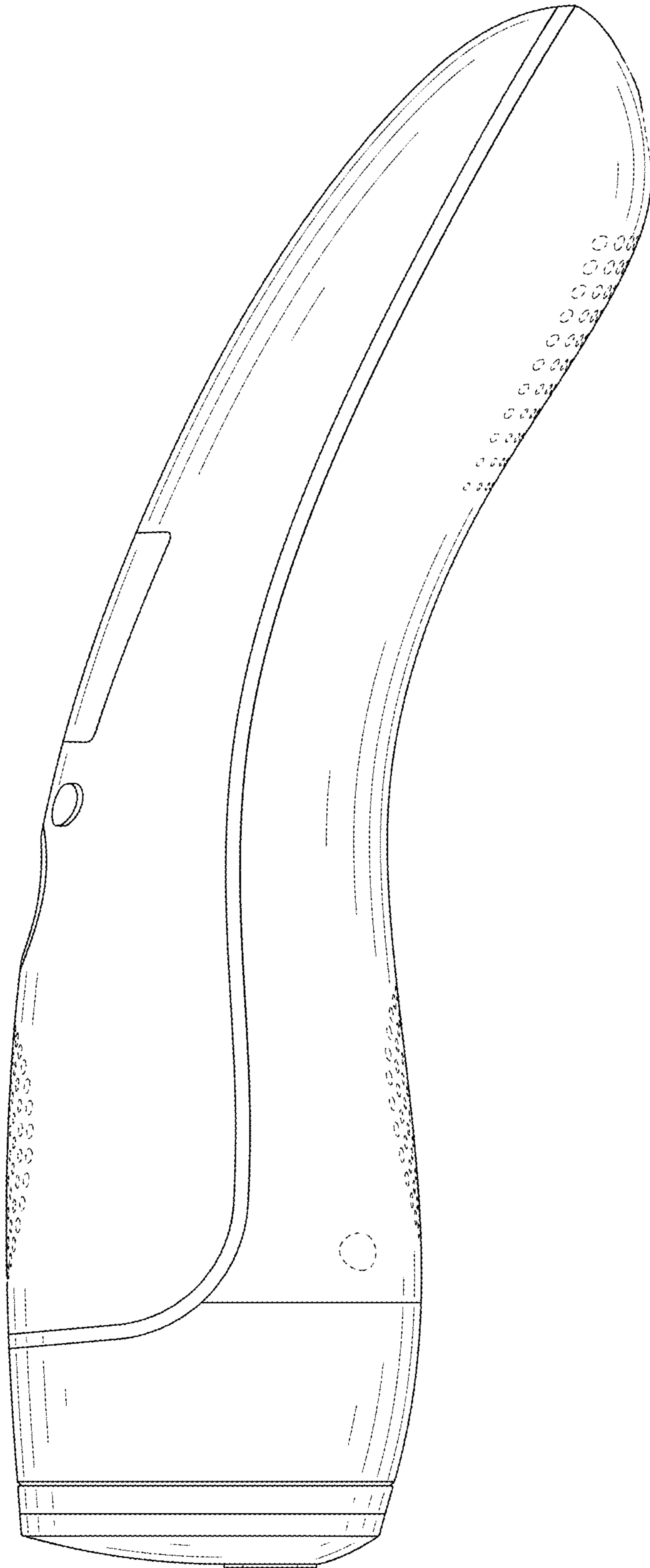


FIG. 8