



US00D901772S

(12) **United States Design Patent**
Huang

(10) **Patent No.:** **US D901,772 S**

(45) **Date of Patent:** **** Nov. 10, 2020**

(54) **ELECTRIC HAIR BRUSH**

FOREIGN PATENT DOCUMENTS

(71) Applicant: **GUANGDONG HUANENGDA ELECTRONIC APPLIANCES CO., LTD**, Jieyang (CN)

CN	304060220	*	2/2017
CN	304388770	*	12/2017
JP	D1251017	*	9/2005
WO	WO-D076553-002	*	2/2020

(72) Inventor: **Huaqun Huang**, Jieyang (CN)

OTHER PUBLICATIONS

(73) Assignee: **GUANGDONG HUANENGDA ELECTRONIC APPLIANCES CO., LTD**, Jieyang (CN)

Hair Dryer Brush, Hot Air Brush for Fast Drying . . . by Yakalla [on-line]. [Original publication date unknown.] [Retrieved from the Internet Sep. 21, 2020.] for full URL, see top of p. 10 of printed copy. (Year: 2020).*

(**) Term: **15 Years**

* cited by examiner

(21) Appl. No.: **29/740,089**

Primary Examiner — Karen E Eldridge Powers

(22) Filed: **Jul. 1, 2020**

(51) **LOC (12) Cl.** **28-03**

(57) **CLAIM**

(52) **U.S. Cl.**
USPC **D28/35; D4/100**

The ornamental design for an electric hair brush, as shown and described.

(58) **Field of Classification Search**
USPC D4/100, 102, 127, 128, 130, 132, 133, D4/134, 135, 136, 137, 138, 199; D28/10, 13, 25, 26, 28, 35
CPC A45D 20/00; A45D 20/08; A45D 20/50; A45D 20/52
See application file for complete search history.

DESCRIPTION

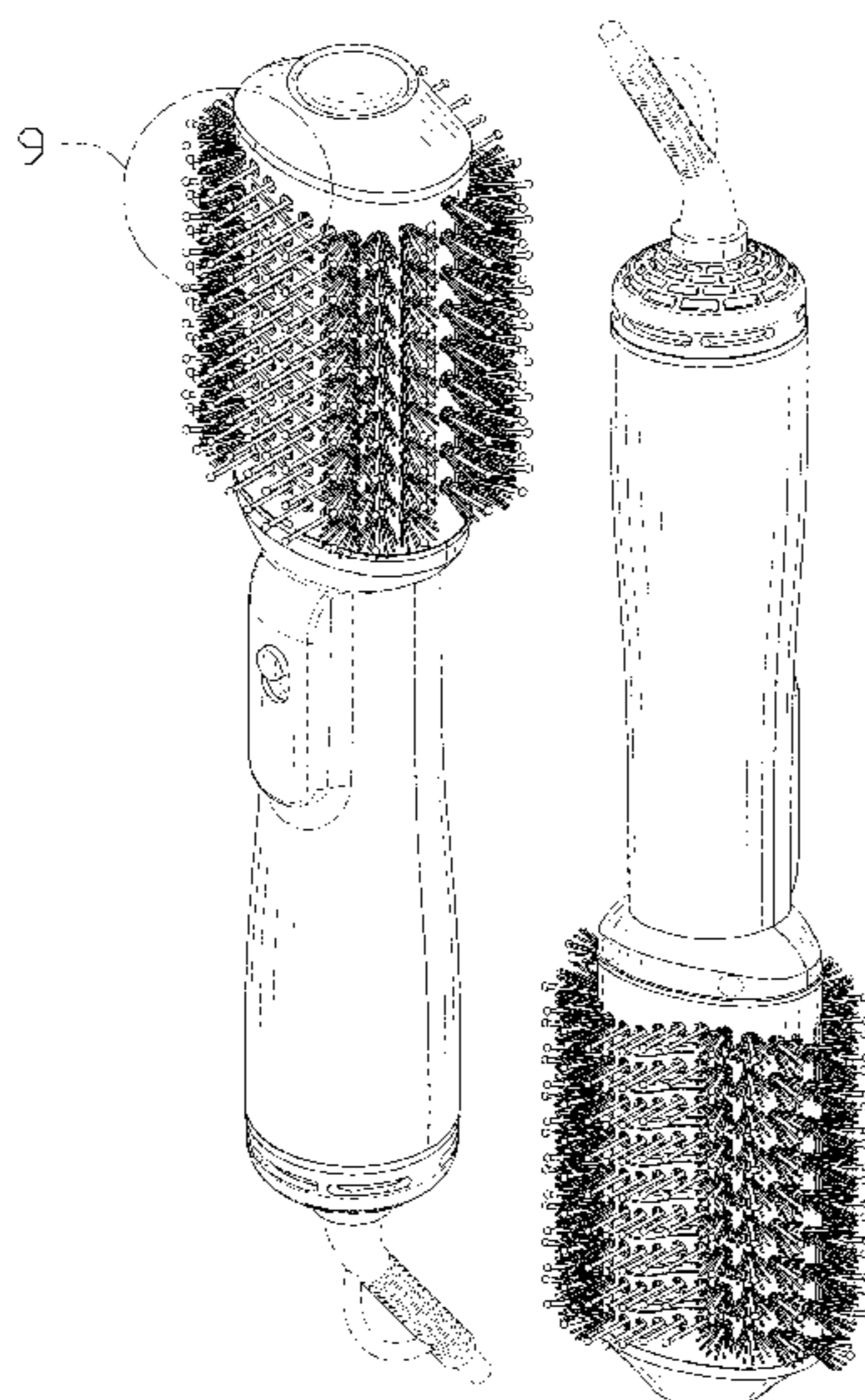
FIG. 1 is top, front and right side perspective view of an electric hair brush showing my new design;
FIG. 2 is a bottom, rear and left side perspective view thereof;
FIG. 3 is a front elevational view thereof;
FIG. 4 is a rear elevational view thereof;
FIG. 5 is a left side elevational view thereof;
FIG. 6 is a right side elevational view thereof;
FIG. 7 is an enlarged top plan view thereof;
FIG. 8 is an enlarged bottom plan view thereof; and,
FIG. 9 is an enlarged view of portion 9 shown in FIG. 1.
The evenly-incremented broken lines in the drawings depict portions of the electric hair brush that form no part of the claimed design. The long-dash-short-dash circles shown in broken lines in FIGS. 1 and 9 illustrate the bounds of the enlarged portion shown in FIG. 9 (and from where it was extracted from FIG. 1), and form no part of the claimed design.

(56) **References Cited**

U.S. PATENT DOCUMENTS

5,778,144	A *	7/1998	McDougall	A45D 20/10 392/379
D471,718	S *	3/2003	Park	D4/133
D472,052	S *	3/2003	Park	D4/119
D537,566	S *	2/2007	Kondo	D28/13
D771,310	S	11/2016	He		
D794,249	S	8/2017	Hou		
D846,888	S *	4/2019	Rosenzweig	D4/136
D879,374	S *	3/2020	Liao	D28/13
D880,061	S *	3/2020	Liao	D28/15
2015/0135455	A1 *	5/2015	Reusche	A46B 9/023 15/160

1 Claim, 9 Drawing Sheets



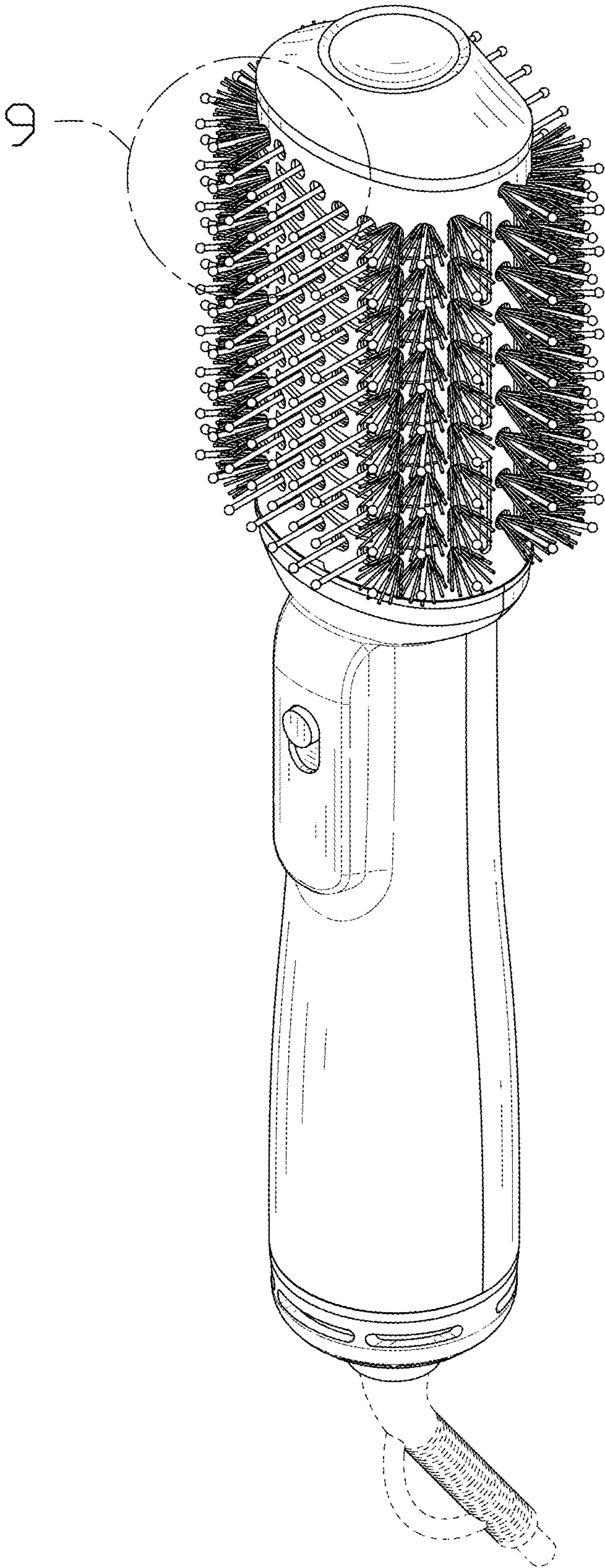


FIG. 1

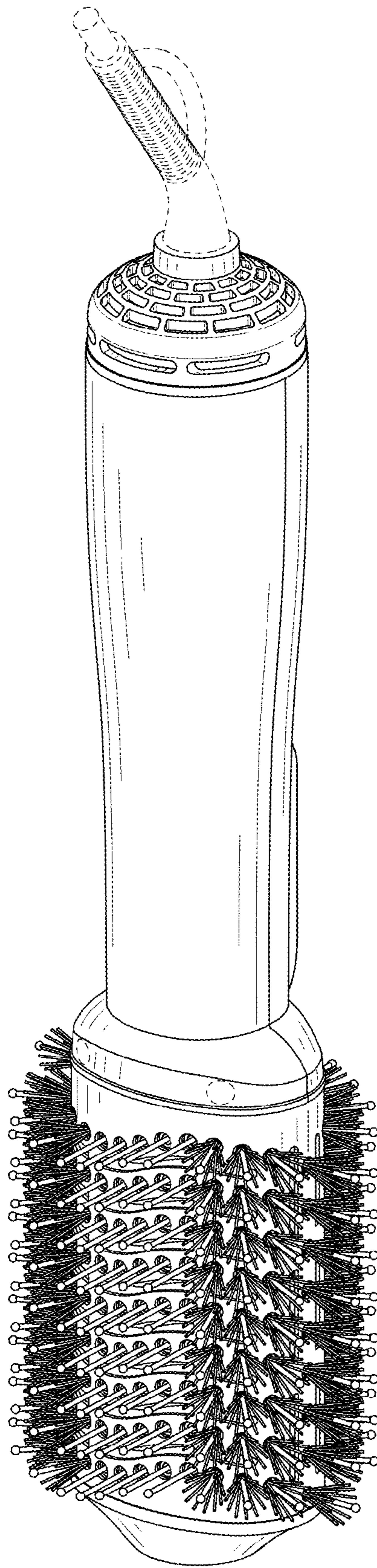


FIG. 2

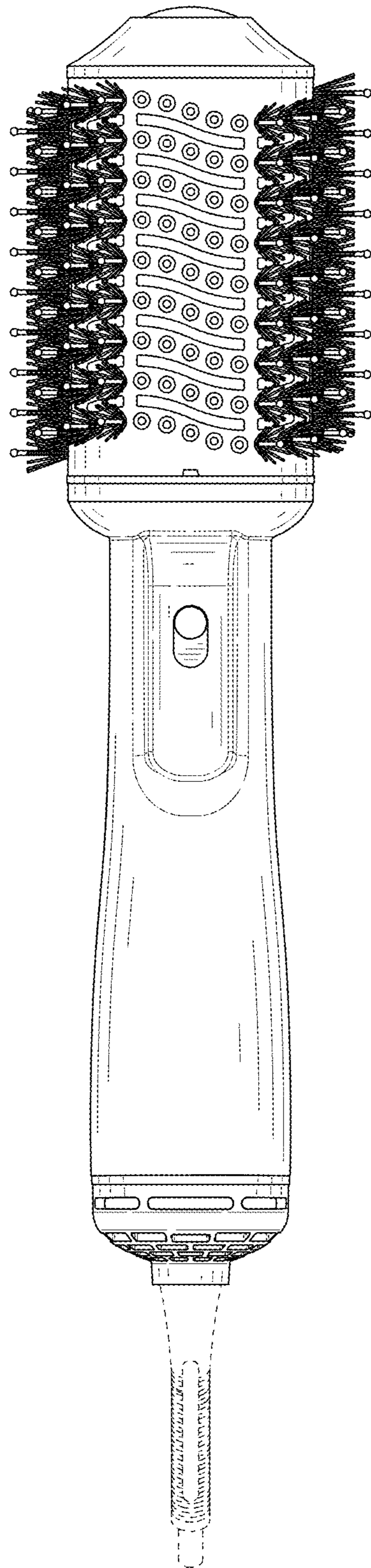


FIG. 3

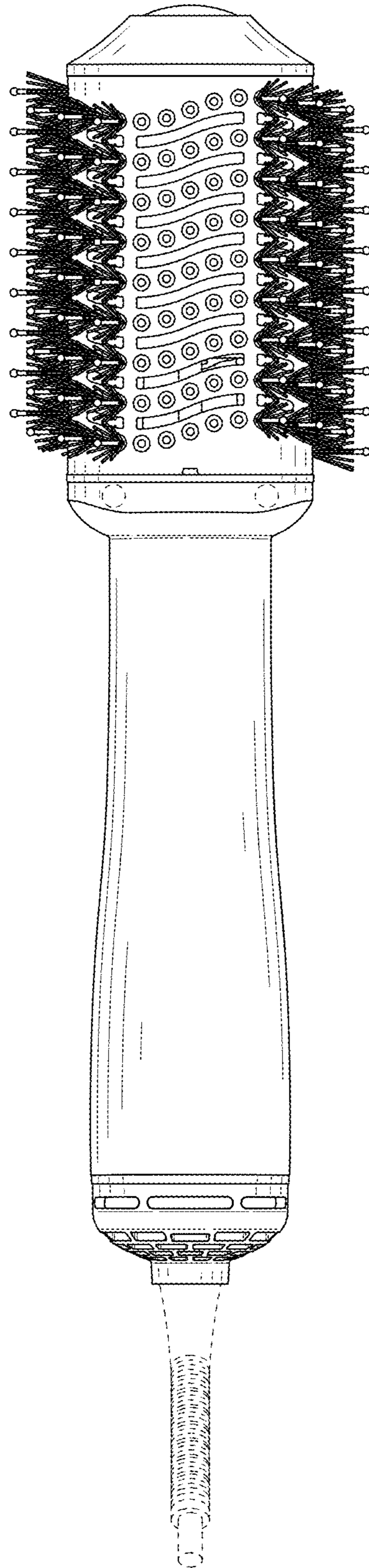


FIG. 4

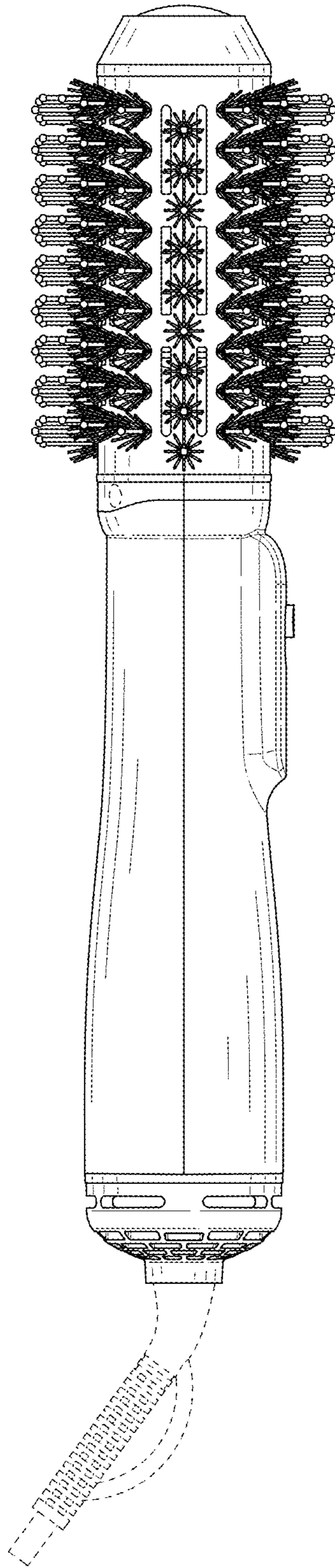


FIG. 5

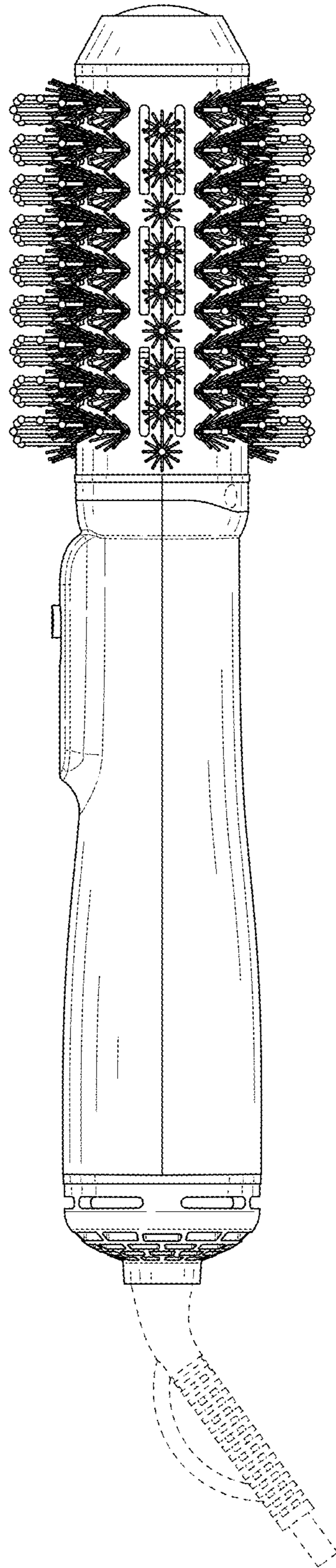


FIG. 6

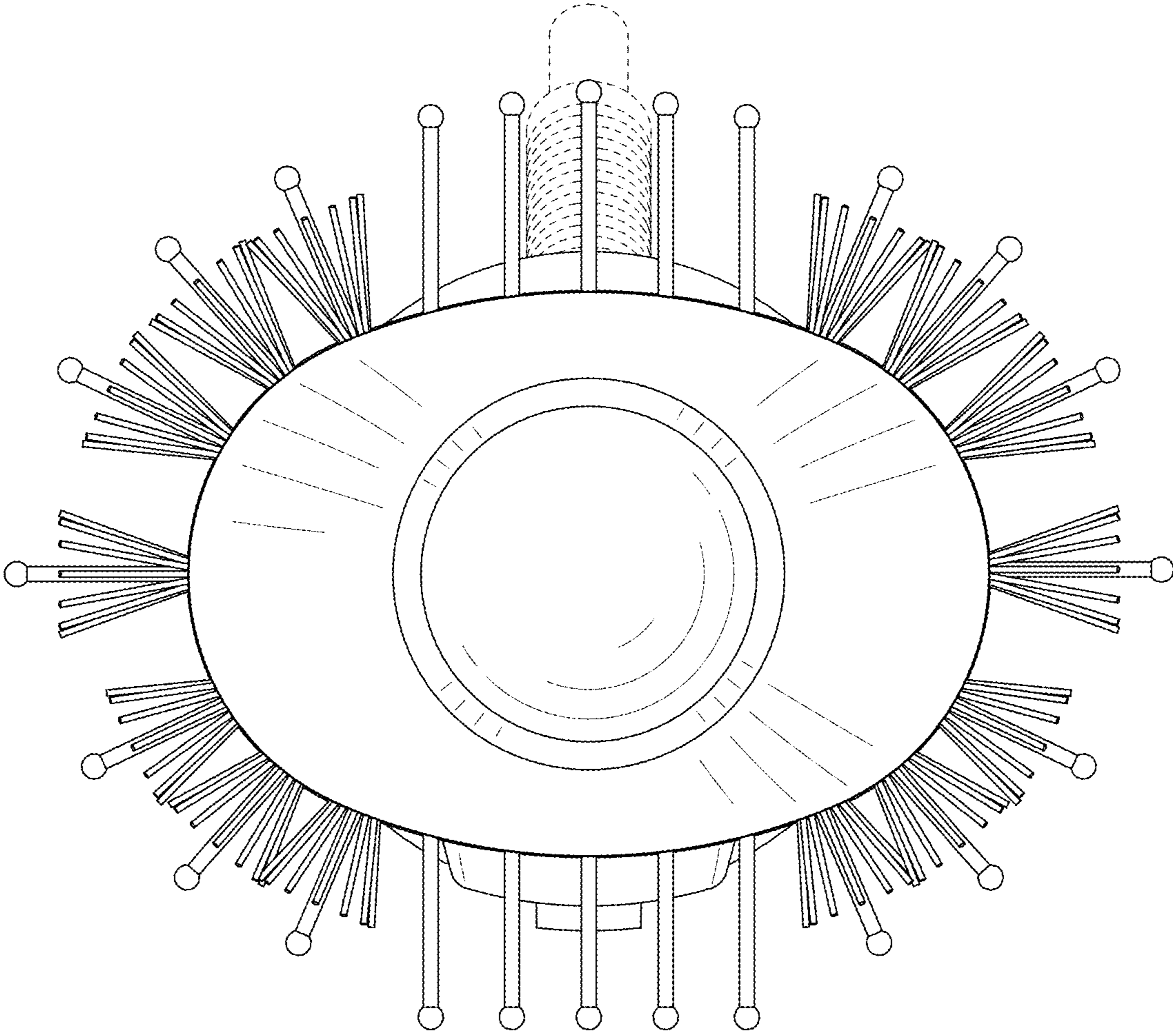


FIG. 7

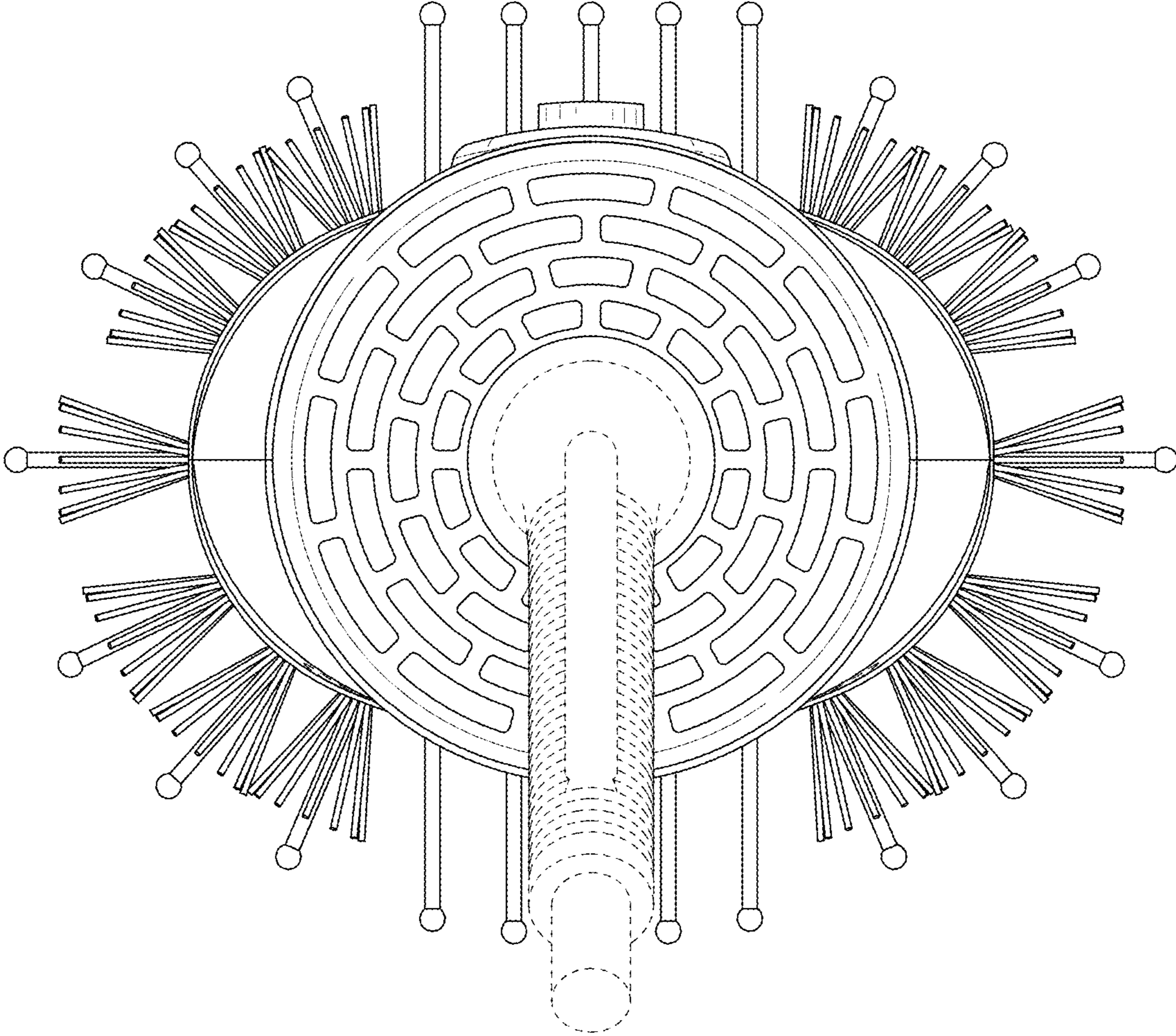


FIG. 8

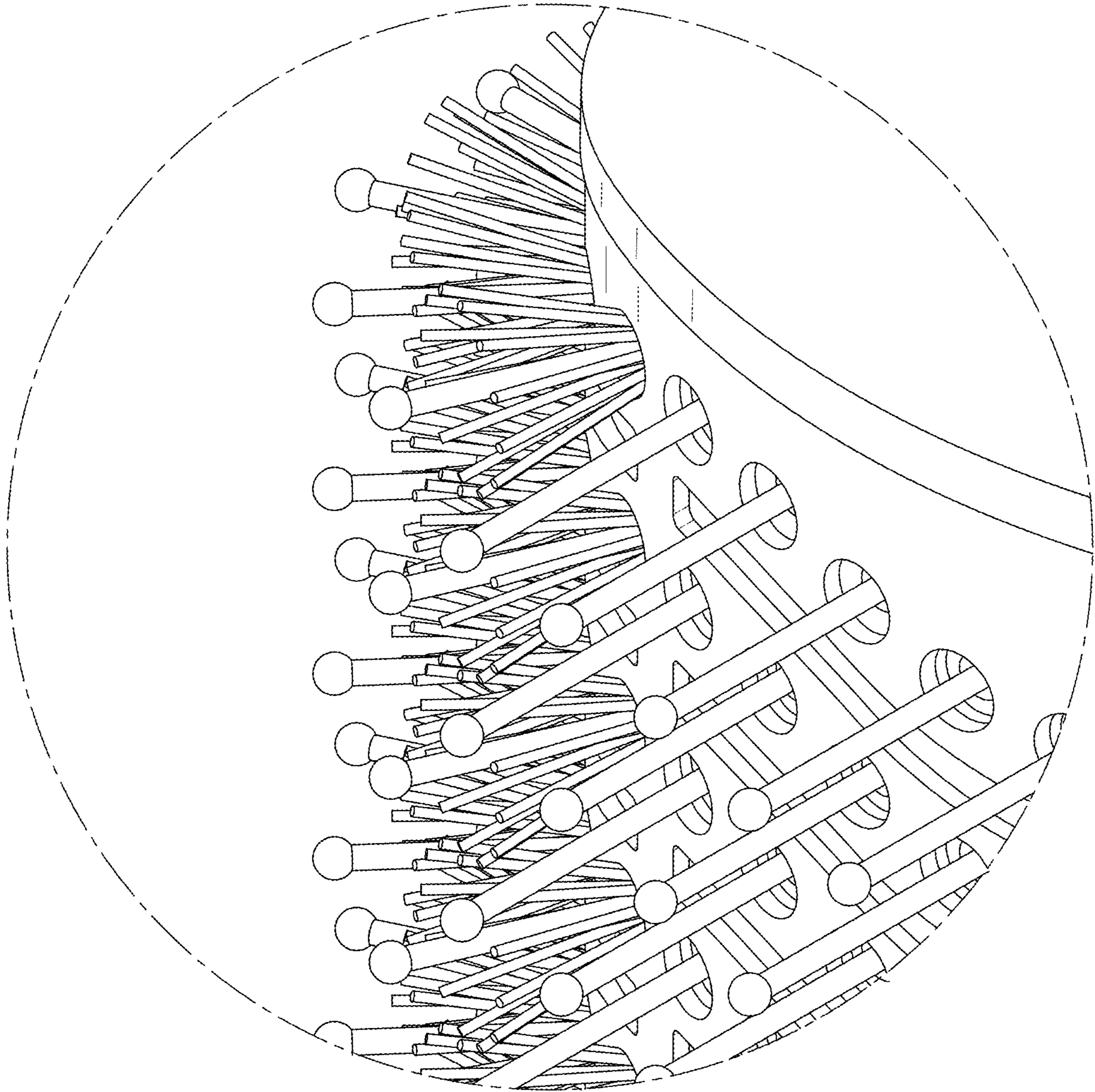


FIG. 9