



US00D901771S

(12) **United States Design Patent**  
**Huang**

(10) **Patent No.:** **US D901,771 S**

(45) **Date of Patent:** **\*\* Nov. 10, 2020**

(54) **COMBINATION HAIR IRON AND HAIR CURLER**

(71) Applicant: **GUANGDONG HUANENGDA ELECTRONIC APPLIANCES CO., LTD, Jieyang (CN)**

(72) Inventor: **Huaqun Huang, Jieyang (CN)**

(73) Assignee: **GUANGDONG HUANENGDA ELECTRONIC APPLIANCES CO., LTD, Jieyang (CN)**

(\*\*) Term: **15 Years**

(21) Appl. No.: **29/737,670**

(22) Filed: **Jun. 11, 2020**

(51) **LOC (12) Cl.** ..... **28-03**

(52) **U.S. Cl.**  
USPC ..... **D28/35**

(58) **Field of Classification Search**  
USPC ..... D28/35  
CPC ..... A45D 1/00; A45D 1/04; A45D 1/06-16;  
A45D 2001/008; A45D 2001/045; A45D  
2/001; A45D 2/36  
See application file for complete search history.

(56) **References Cited**

**U.S. PATENT DOCUMENTS**

D627,515 S \* 11/2010 Kim ..... D28/35  
D726,961 S \* 4/2015 Sayers ..... D28/35  
D726,963 S \* 4/2015 Sayers ..... D28/35

D729,450 S \* 5/2015 Van Maanen ..... D28/35  
D769,523 S \* 10/2016 Fan ..... D28/35  
D851,831 S \* 6/2019 Fan ..... D28/35  
D870,967 S \* 12/2019 Huang ..... D28/35  
D884,271 S \* 5/2020 Liao ..... D28/35  
2006/0076032 A1\* 4/2006 Fung ..... A45D 1/06  
132/224  
2011/0203606 A1\* 8/2011 Recchion ..... A45D 1/04  
132/269  
2012/0111357 A1\* 5/2012 Amkie ..... A45D 1/04  
132/230  
2017/0013931 A1\* 1/2017 Chen ..... A45D 1/28

\* cited by examiner

*Primary Examiner* — Jennifer Rivard

(57) **CLAIM**

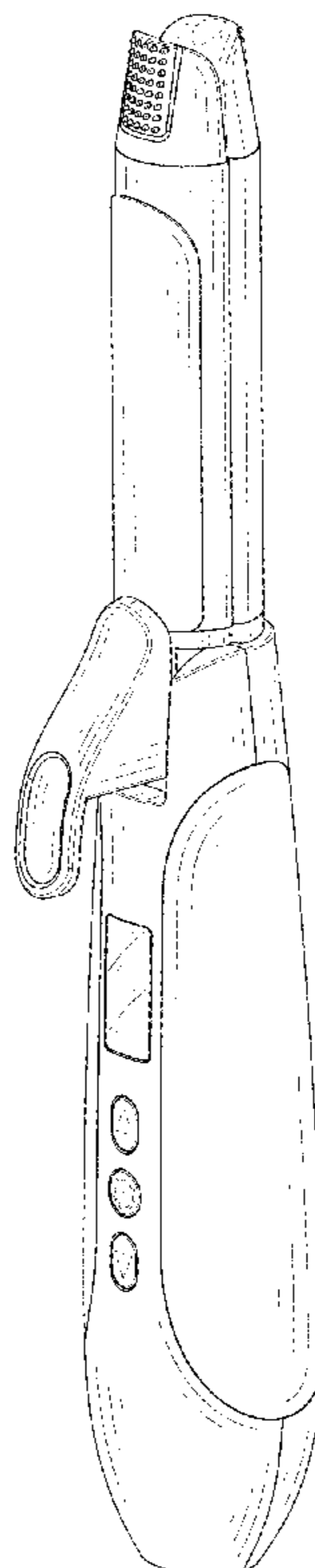
The ornamental design for a combination hair iron and hair curler, as shown and described.

**DESCRIPTION**

FIG. 1 is a perspective view of a combination hair iron and hair curler showing my new design; FIG. 2 is another perspective view thereof; FIG. 3 is a front elevational view thereof; FIG. 4 is a rear elevational view thereof; FIG. 5 is a left side elevational view thereof; FIG. 6 is a right side elevational view thereof; FIG. 7 is a top plan view thereof; and, FIG. 8 is a bottom plan view thereof.

The broken lines in the drawings depict portions of the combination hair iron and hair curler that form no part of the claimed design.

**1 Claim, 8 Drawing Sheets**



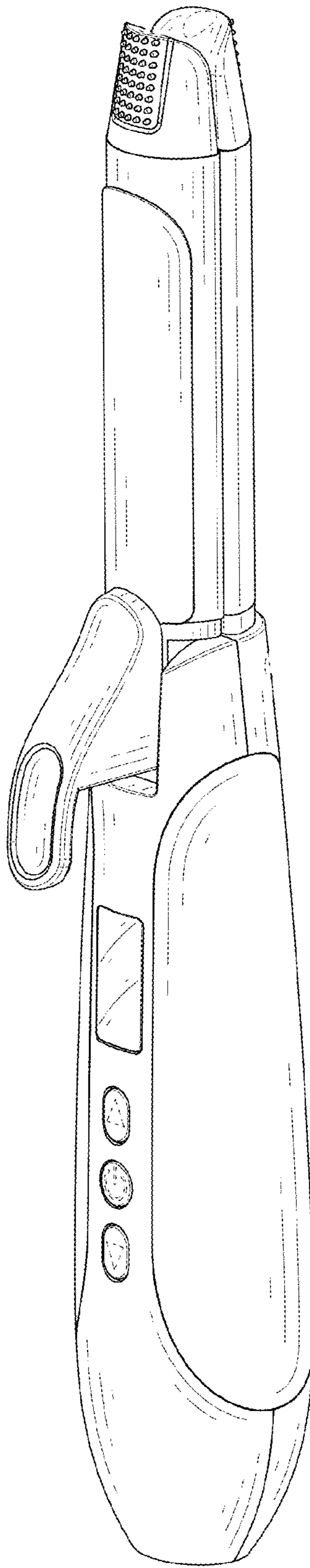


FIG. 1

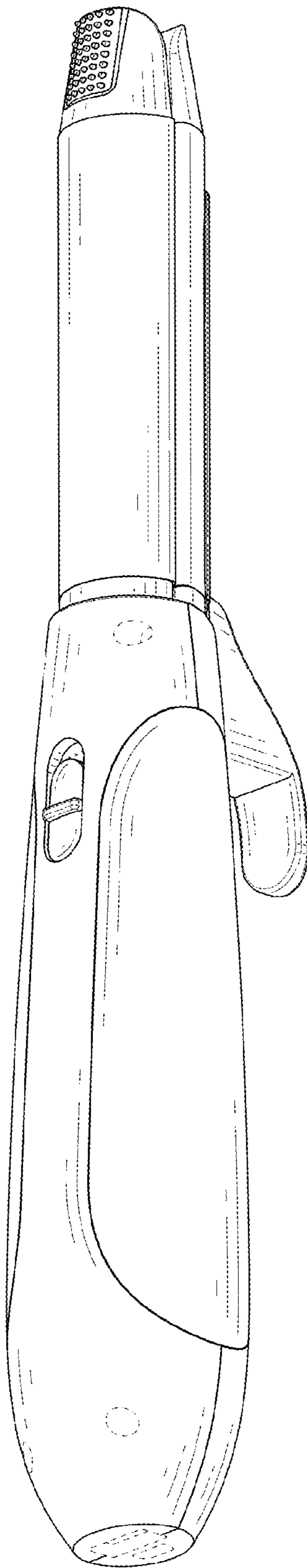


FIG. 2

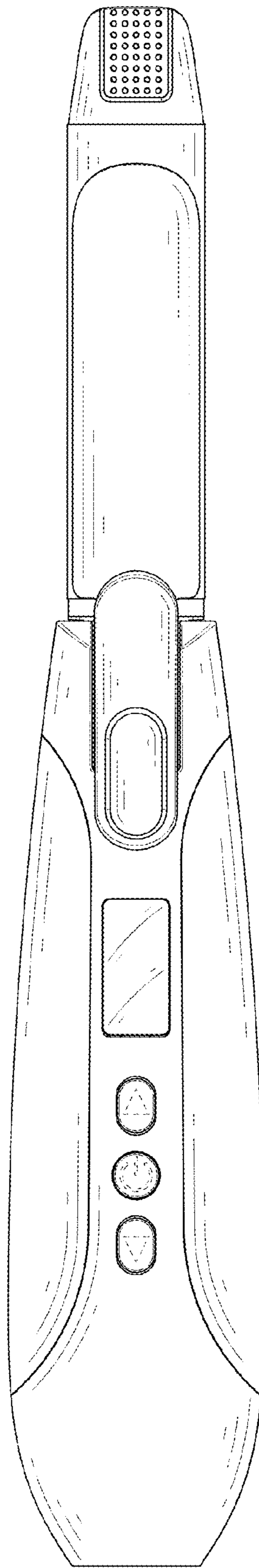


FIG. 3

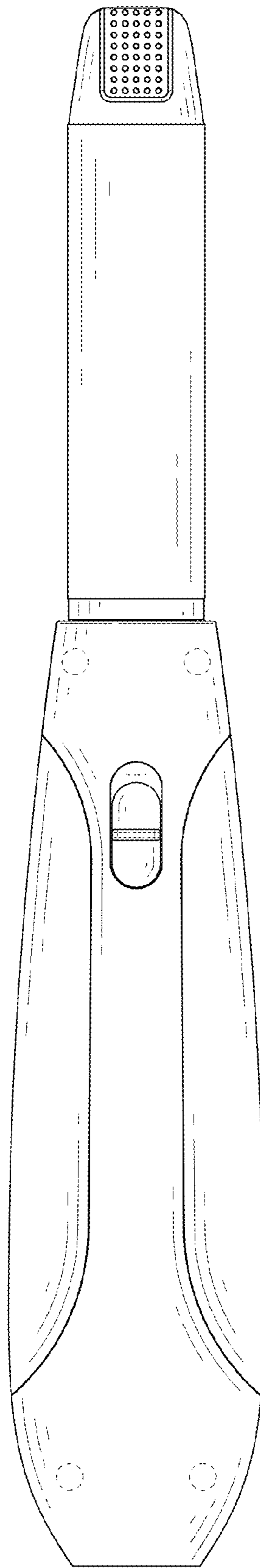


FIG. 4

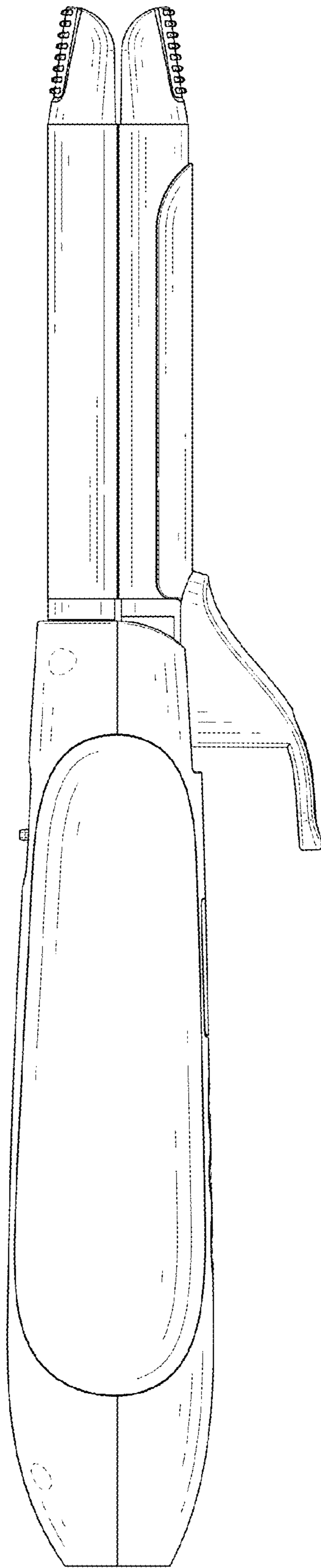


FIG. 5

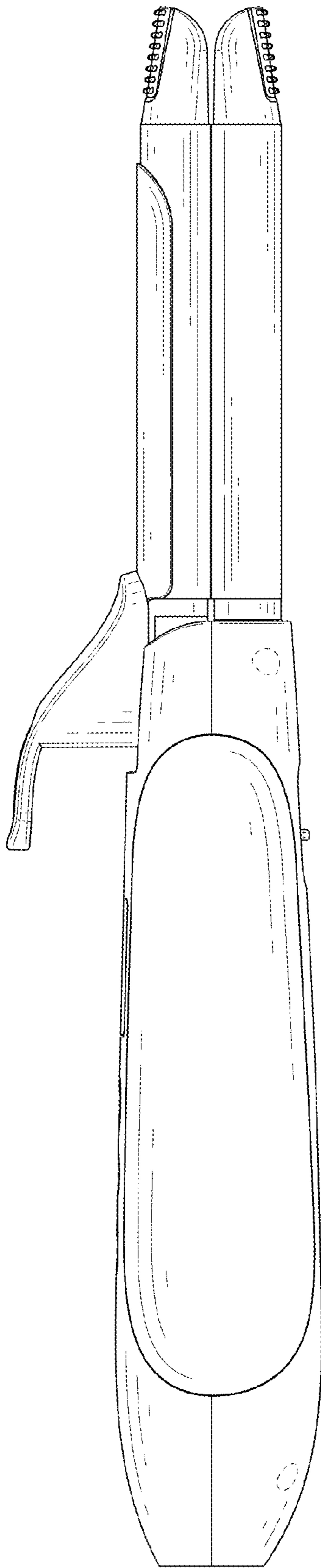


FIG. 6

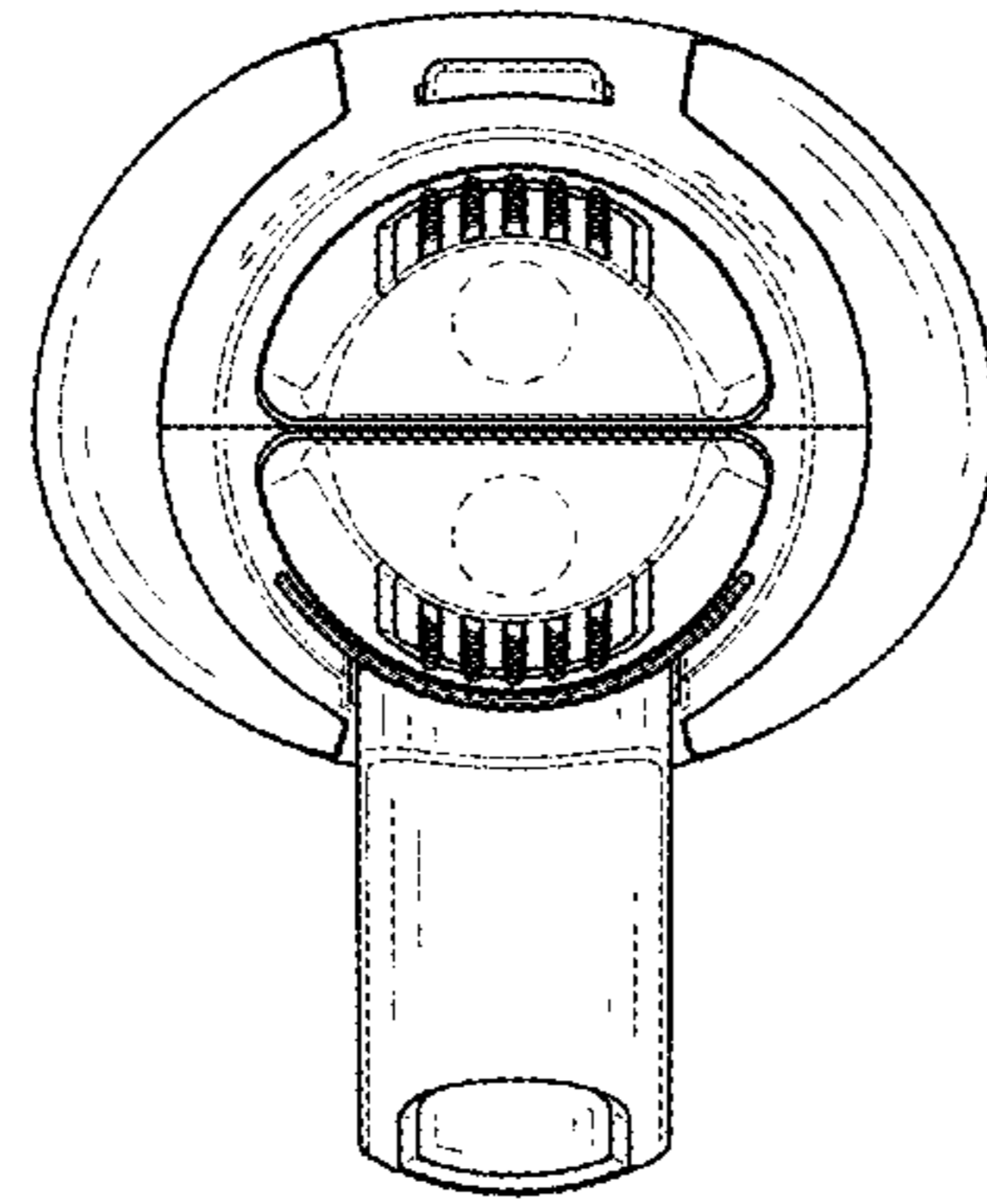


FIG. 7



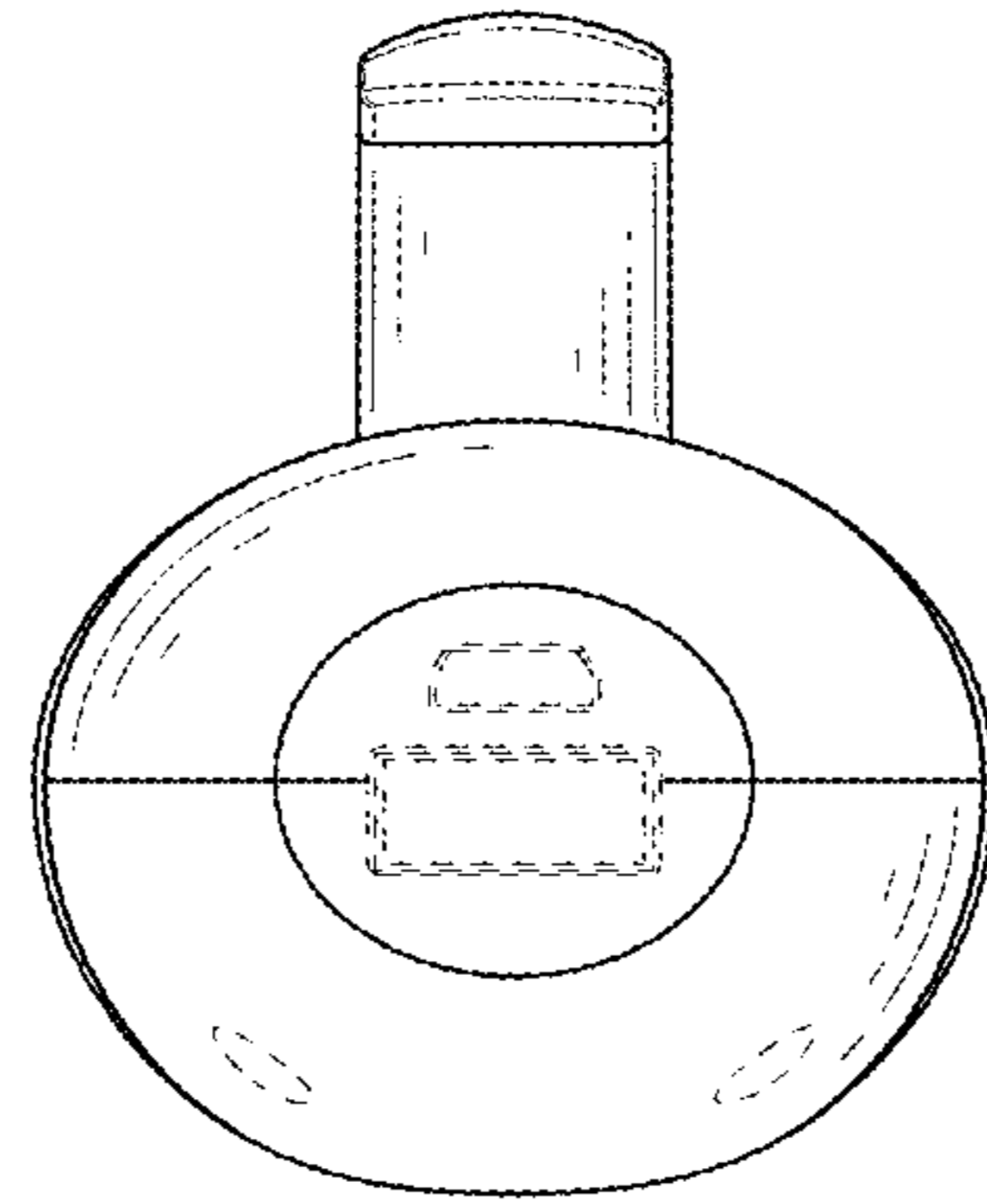


FIG. 8