



US00D901768S

(12) **United States Design Patent** (10) **Patent No.:** **US D901,768 S**
Ceva (45) **Date of Patent:** **** Nov. 10, 2020**

(54) **HAIR DRYER**
(71) Applicant: **GA.MA S.R.L.**, San Pietro in Casale (IT)
(72) Inventor: **Carlos Jose' Ceva**, San Pietro in Casale (IT)

D577,861 S * 9/2008 Leung D28/13
D580,594 S * 11/2008 Leung D28/13
D610,745 S * 2/2010 Keong D28/13
D617,047 S * 6/2010 Kim D28/13
D617,048 S * 6/2010 Kim D28/13
D635,835 S * 4/2011 Post D8/14.1
D782,733 S * 3/2017 Smith D28/13
2006/0018637 A1 * 1/2006 Lin A45D 20/06
392/384

(**) Term: **15 Years**

FOREIGN PATENT DOCUMENTS

(21) Appl. No.: **35/505,976**

CN 201430402256 * 10/2014

(22) Filed: **Oct. 11, 2018**

OTHER PUBLICATIONS

(80) **Hague Agreement Data**

Int. Filing Date: **Oct. 11, 2018**
Int. Reg. No.: **DM/103462**
Int. Reg. Date: **Oct. 11, 2018**
Int. Reg. Pub. Date: **Nov. 9, 2018**

Fast Company, Wanted: A Hair Dryer You Could Put on A Pedestal, posted Jul. 20, 2010, [online], [visited Jul. 12, 2019]. Internet, URL: <https://www.fastcompany.com/1661943/wanted-a-hair-dryer-you-could-put-on-a-pedestal> (Year: 2010).*

(Continued)

(51) **LOC (12) Cl.** **28-03**

(52) **U.S. Cl.**
USPC **D28/13**

(58) **Field of Classification Search**
USPC D28/9, 12-16, 18, 24, 25, 99; D8/14.1, D8/29.1, 29.2, 45; D7/376, 379, 380
CPC A45D 20/00; A45D 20/04; A45D 20/06; A45D 20/08; A45D 20/10
See application file for complete search history.

Primary Examiner — Jeffrey D Asch
Assistant Examiner — Samantha N Wood
(74) *Attorney, Agent, or Firm* — Wenderoth, Lind & Ponack, L.L.P.

(57) **CLAIM**

The ornamental design for a hair dryer, as shown and described.

(56) **References Cited**

DESCRIPTION

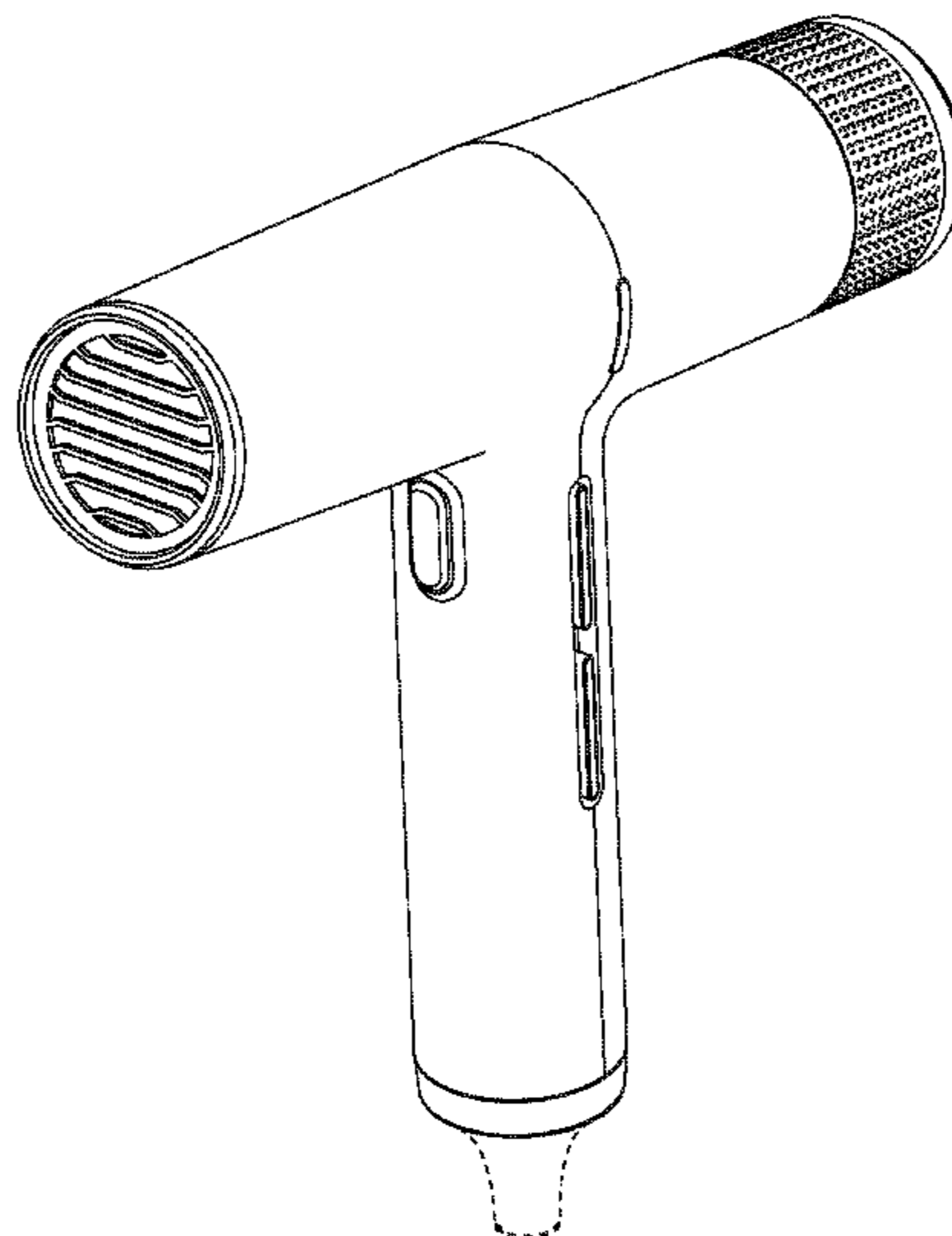
U.S. PATENT DOCUMENTS

D248,048 S * 5/1978 Cousins D28/13
4,132,360 A * 1/1979 Lee, Jr. A45D 20/124
239/383
D257,492 S * 11/1980 Cousins D28/13
D290,174 S * 6/1987 Tsuji D28/13
4,903,416 A * 2/1990 Levin A45D 1/02
126/401
D341,302 S * 11/1993 Ware D8/29.1
5,839,204 A * 11/1998 Cinque A45D 20/10
34/97
D537,565 S * 2/2007 Shin D28/13

1. Hair dryer
1.1 : Perspective
1.2 : Perspective
1.3 : Left
1.4 : Back
1.5 : Front

The broken lines showing portions of the hair dryer are included for the purpose of depicting the environmental structure and form no part of the claimed design.

1 Claim, 5 Drawing Sheets



(56)

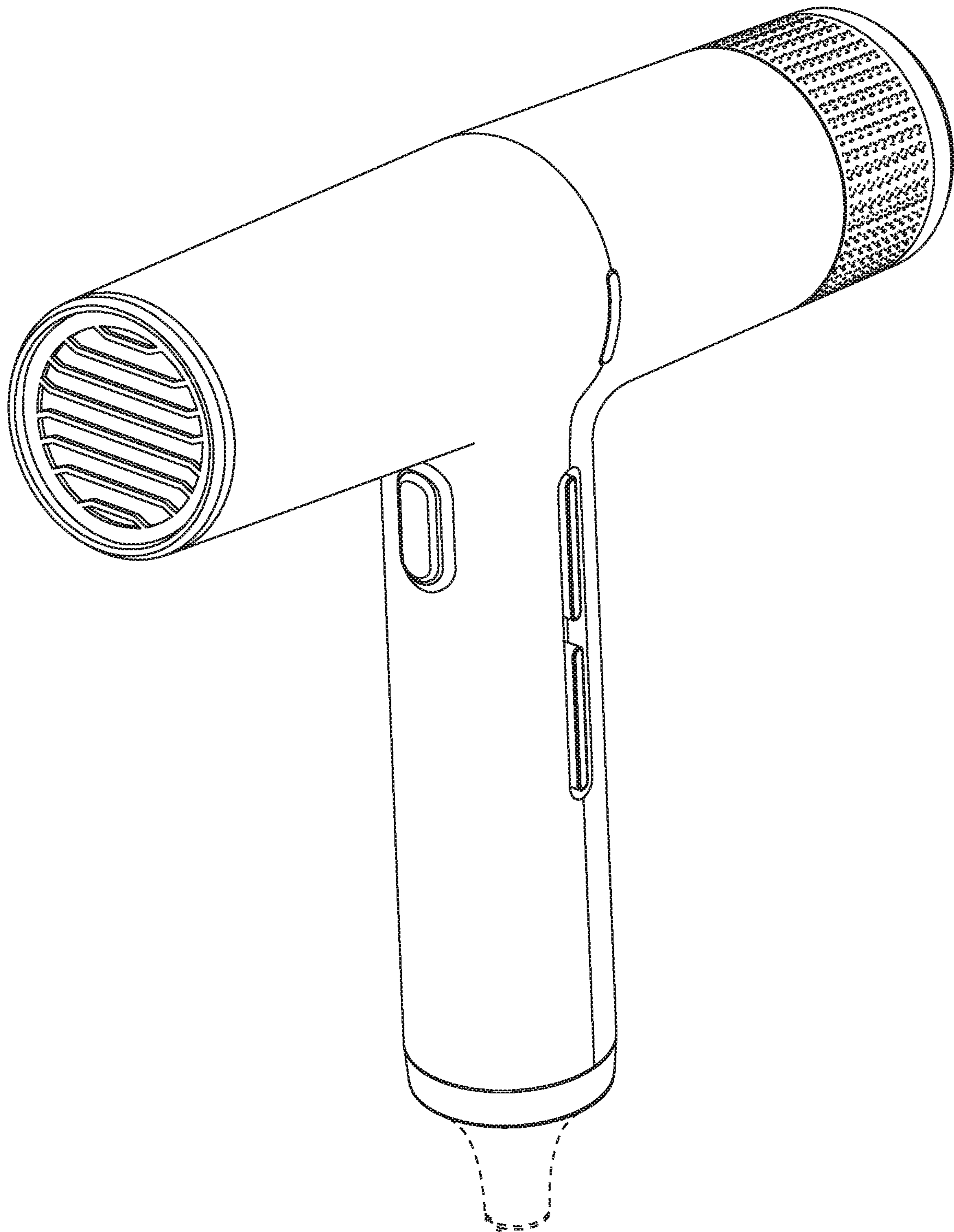
References Cited

OTHER PUBLICATIONS

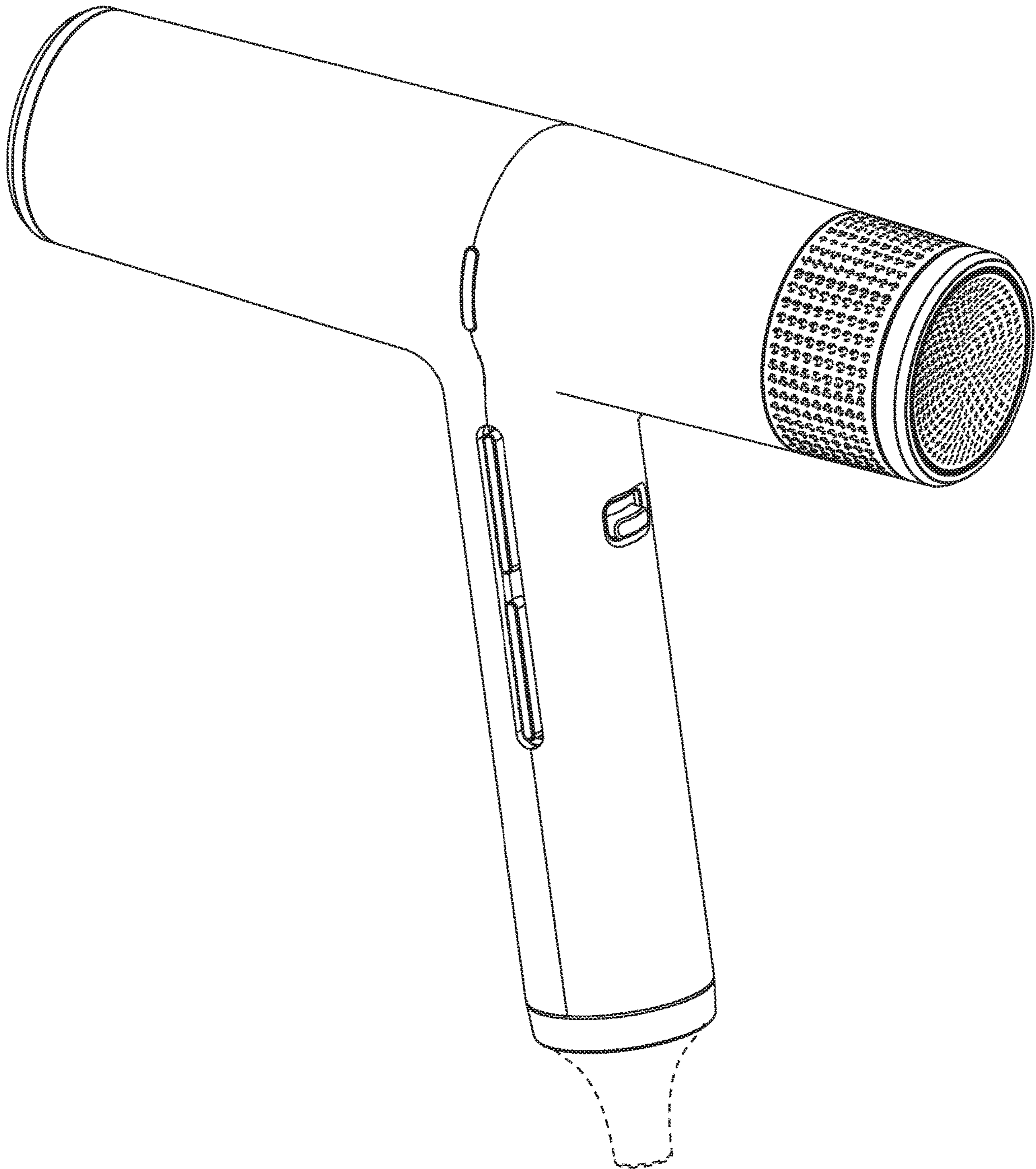
De Zeen, Bamboo hairdryer and speakers win Grand Prix at Design Parade 10, posted Jul. 8, 2015, [online], [visited Jul. 12, 2019]. Internet, URL: <https://www.dezeen.com/2015/07/08/design-parade-10-winners-grand-prix-samy-rio-bamboo-hairdryer-speakers-villa-noialles-hyeres/> (Year: 2015).*

* cited by examiner

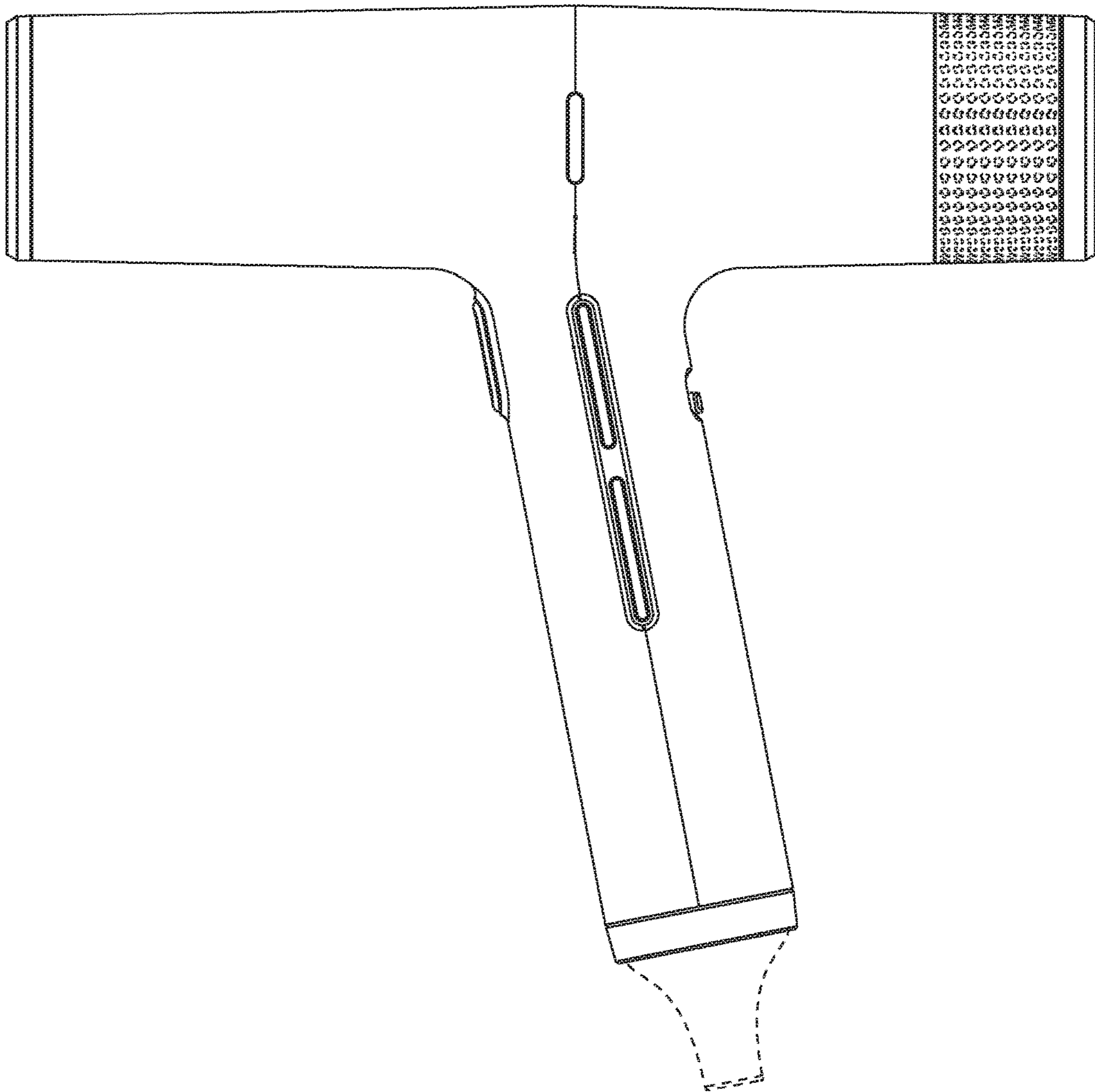
1.1



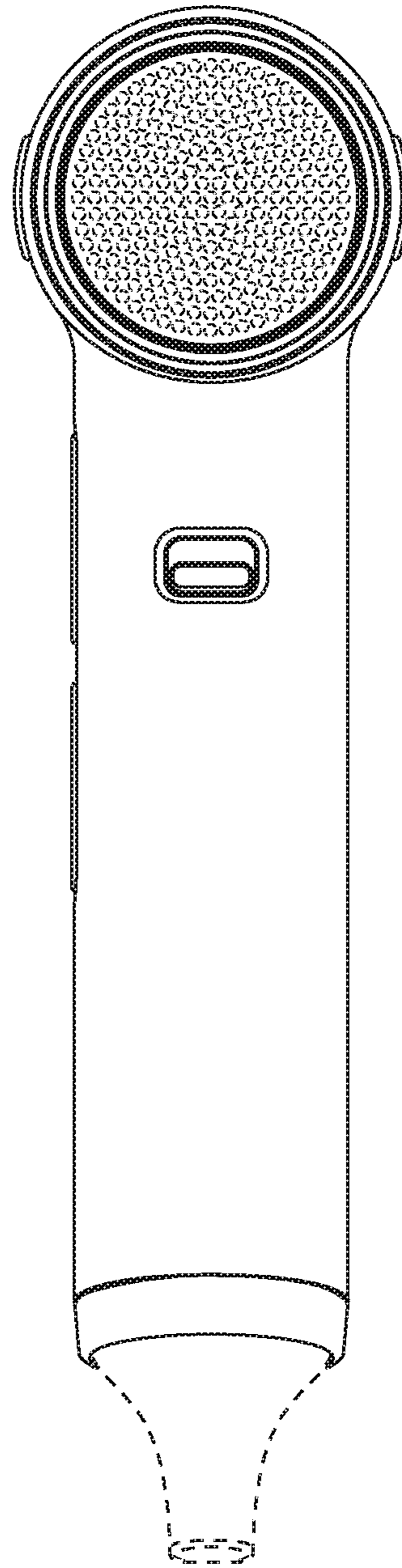
1.2



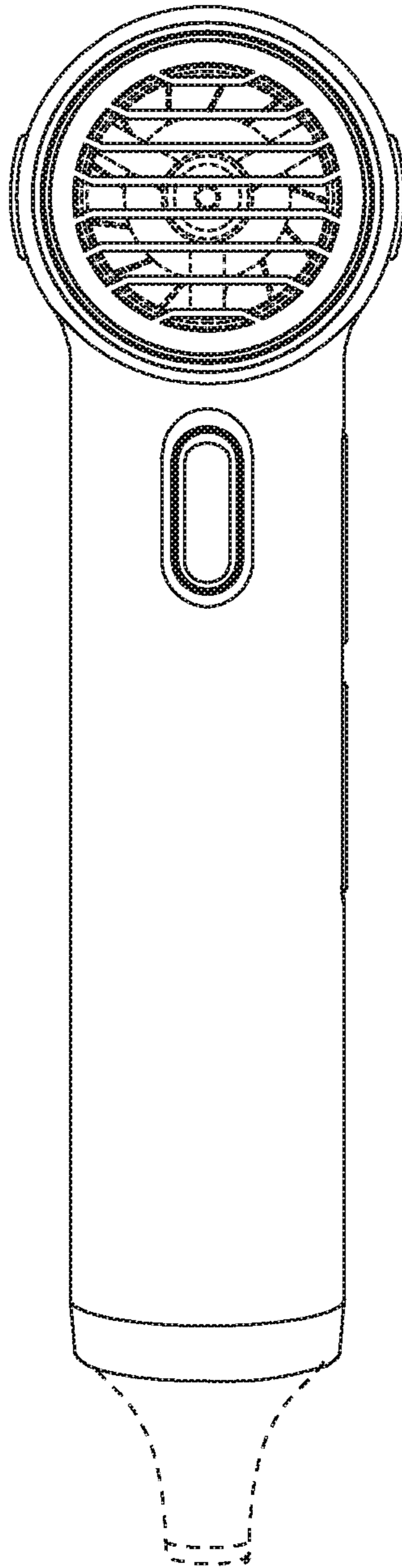
1.3



1.4



1.5



UNITED STATES PATENT AND TRADEMARK OFFICE
CERTIFICATE OF CORRECTION

PATENT NO. : D901,768 S
APPLICATION NO. : 35/505976
DATED : November 10, 2020
INVENTOR(S) : Carlos Jose' Ceva

Page 1 of 1

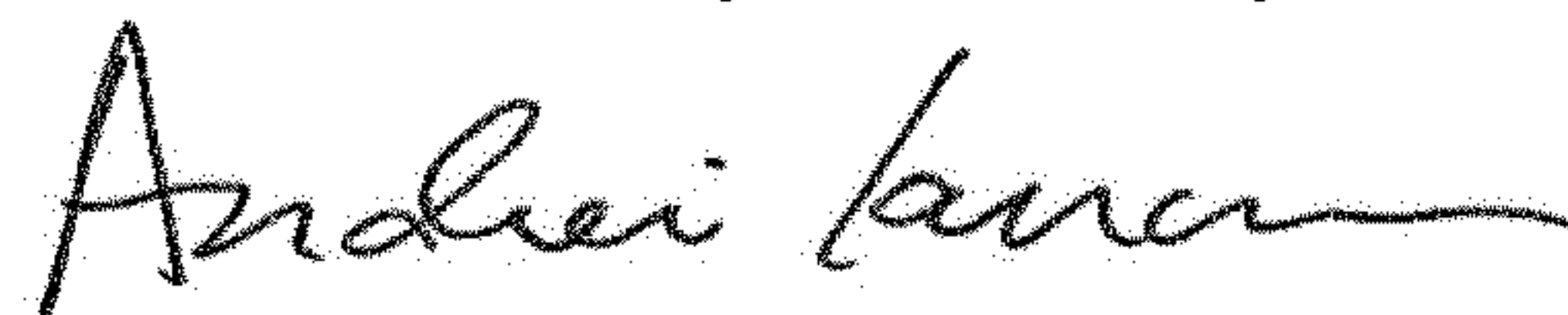
It is certified that error appears in the above-identified patent and that said Letters Patent is hereby corrected as shown below:

On the Title Page

Insert --(30) **Foreign Application Priority Data**

April 11, 2018 (AR) 93238--

Signed and Sealed this
Nineteenth Day of January, 2021



Andrei Iancu
Director of the United States Patent and Trademark Office