



US00D901765S

(12) **United States Design Patent**
Huang

(10) **Patent No.:** **US D901,765 S**

(45) **Date of Patent:** **** Nov. 10, 2020**

(54) **HAIR DRYER**

(71) Applicant: **Guangdong Huanengda Electrical appliances Co., LTD., Jieyang (CN)**

(72) Inventor: **Huaqun Huang, Jieyang (CN)**

(73) Assignee: **GUANGDONG HUANENGDA ELECTRICAL APPLIANCES CO., LTD., Jieyang (CN)**

(**) Term: **15 Years**

(21) Appl. No.: **29/701,357**

(22) Filed: **Aug. 11, 2019**

(51) **LOC (12) Cl.** **28-03**

(52) **U.S. Cl.**
USPC **D28/13**

(58) **Field of Classification Search**
USPC D28/12-19
CPC A45D 20/04; A45D 20/06; A45D 20/08;
A45D 20/10; A45D 20/128
See application file for complete search history.

(56) **References Cited**

U.S. PATENT DOCUMENTS

D639,505 S * 6/2011 Kim D28/13
D651,342 S * 12/2011 Kim D28/13

D670,026 S * 10/2012 Hong D28/13
D681,275 S * 4/2013 Huang D28/13
D758,657 S * 6/2016 Hary D28/13
D841,881 S * 2/2019 Lee D28/13
D849,320 S * 5/2019 Park D28/13

* cited by examiner

Primary Examiner — Zenia I Bennett

(74) *Attorney, Agent, or Firm* — Dragon Sun Law Firm, PC; Jinggao Li, Esq.

(57) **CLAIM**

The ornamental design for a hair dryer, as shown and described.

DESCRIPTION

FIG. 1 is a perspective view of a hair dryer showing my new design;

FIG. 2 is another perspective view thereof;

FIG. 3 is a left side view thereof;

FIG. 4 is a right side view thereof;

FIG. 5 is a rear view thereof;

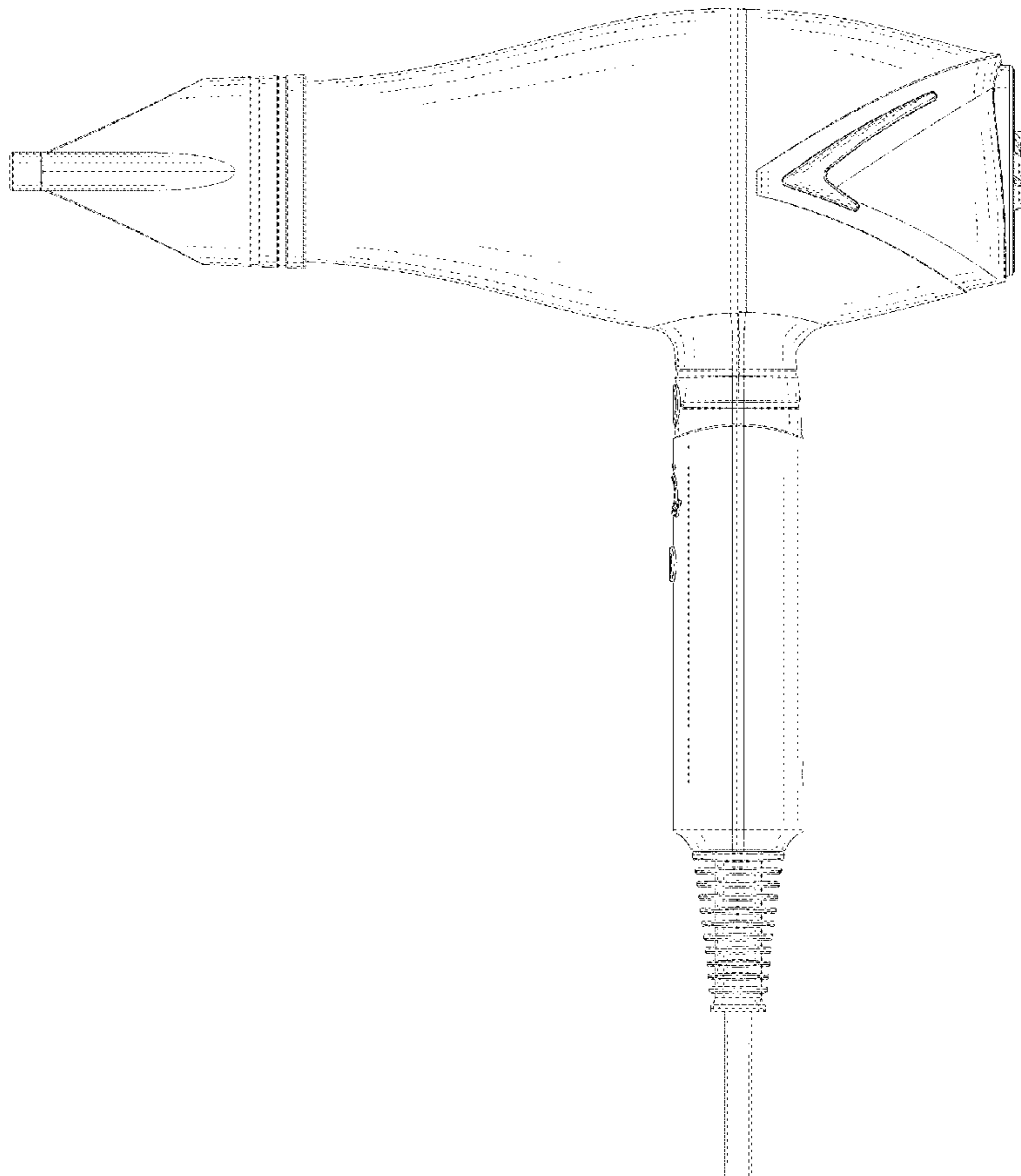
FIG. 6 is a front view thereof;

FIG. 7 is a top plan view thereof, and,

FIG. 8 is a bottom plan view thereof.

The broken lines in the drawings illustrate portions of the hair dryer and form no part of the claimed design.

1 Claim, 8 Drawing Sheets



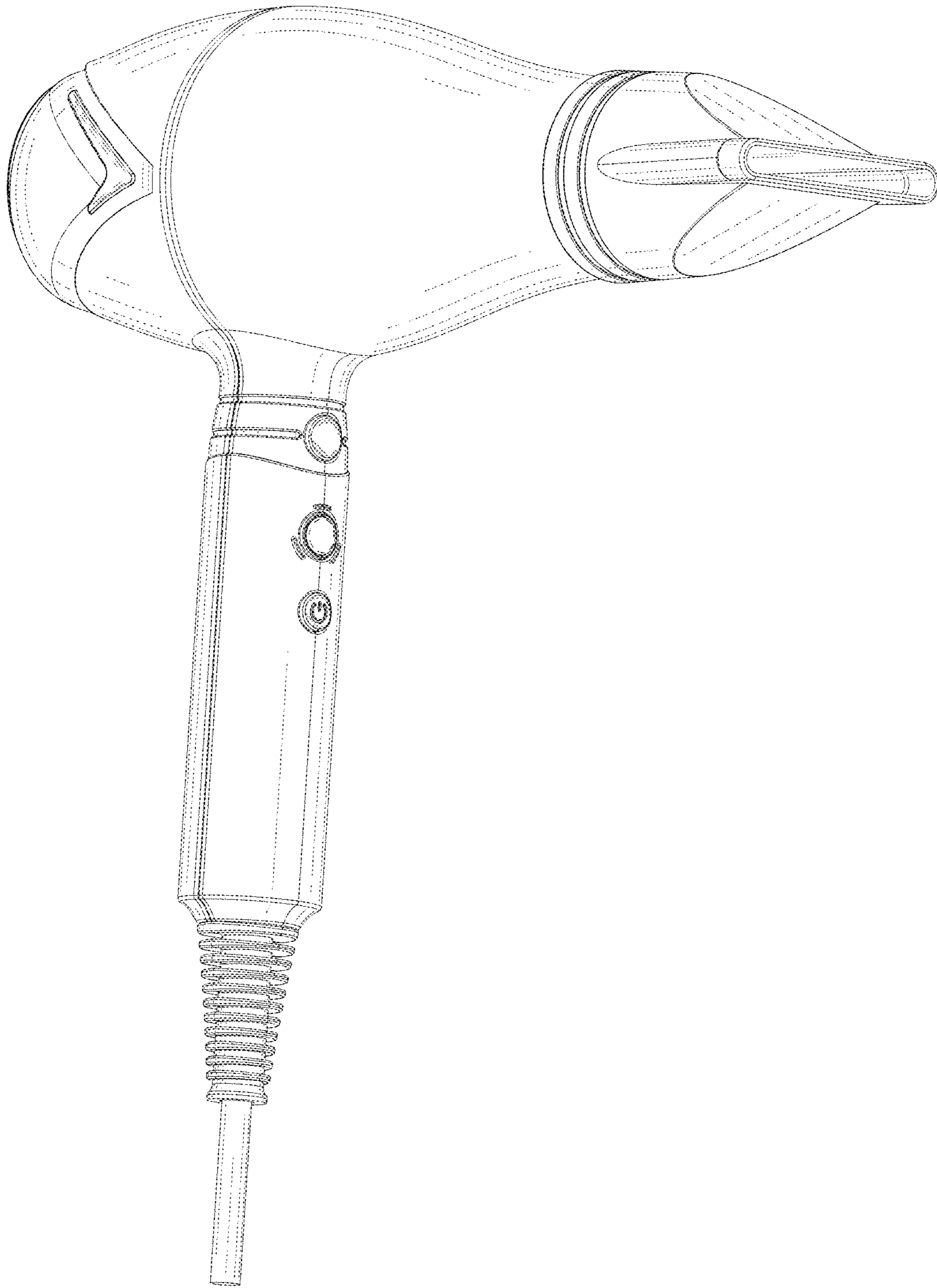


FIG. 1

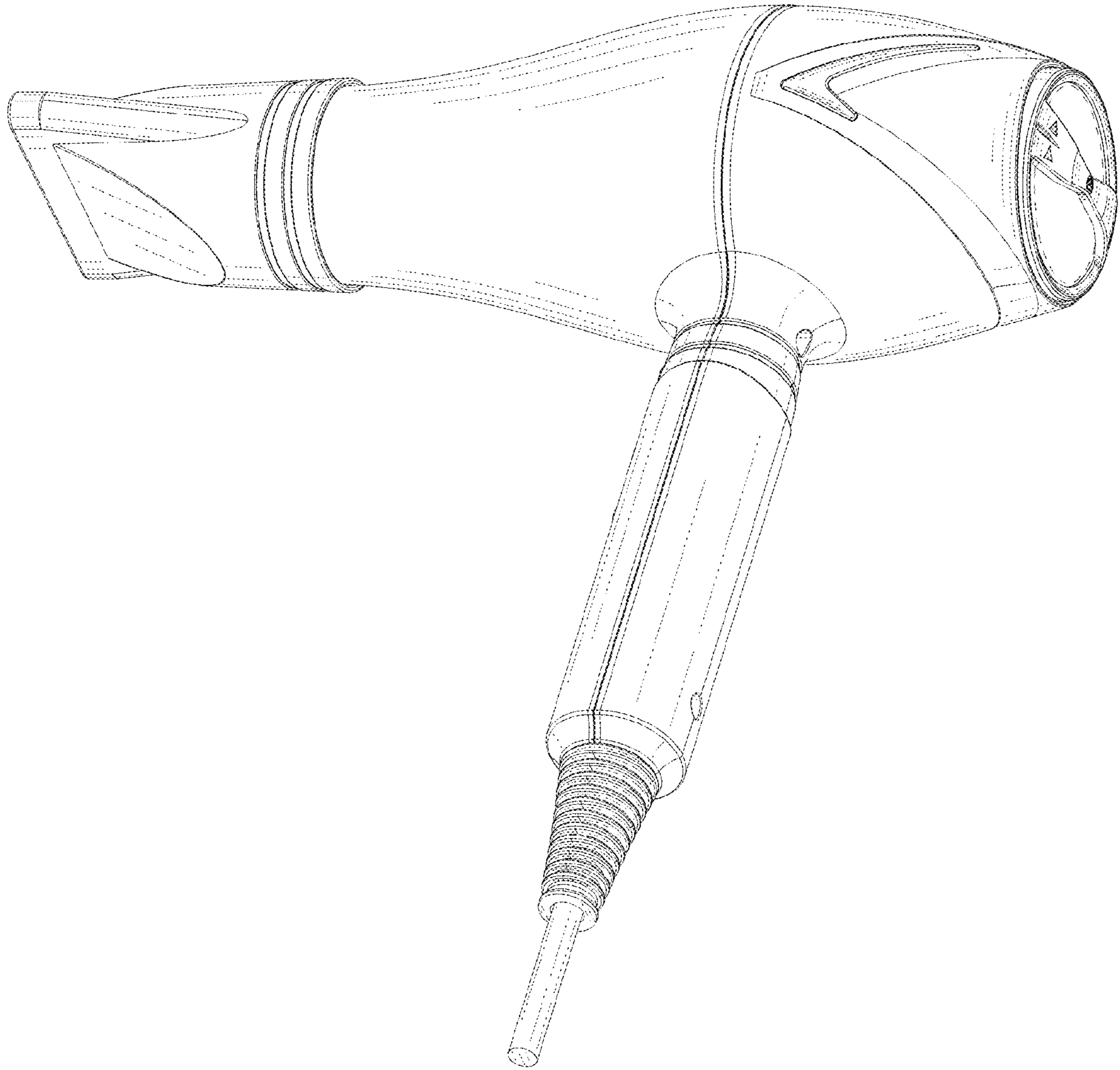


FIG. 2

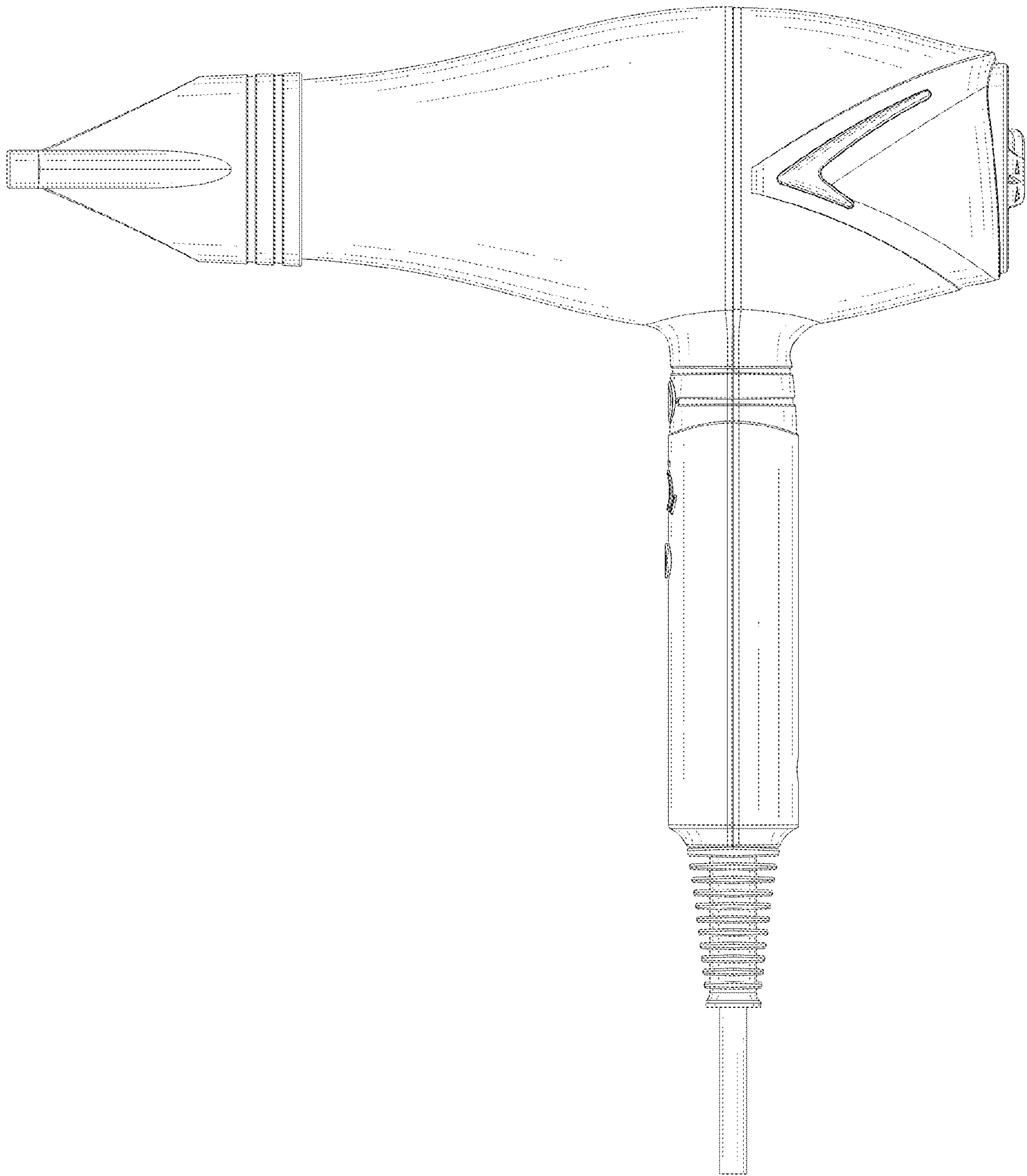


FIG. 3

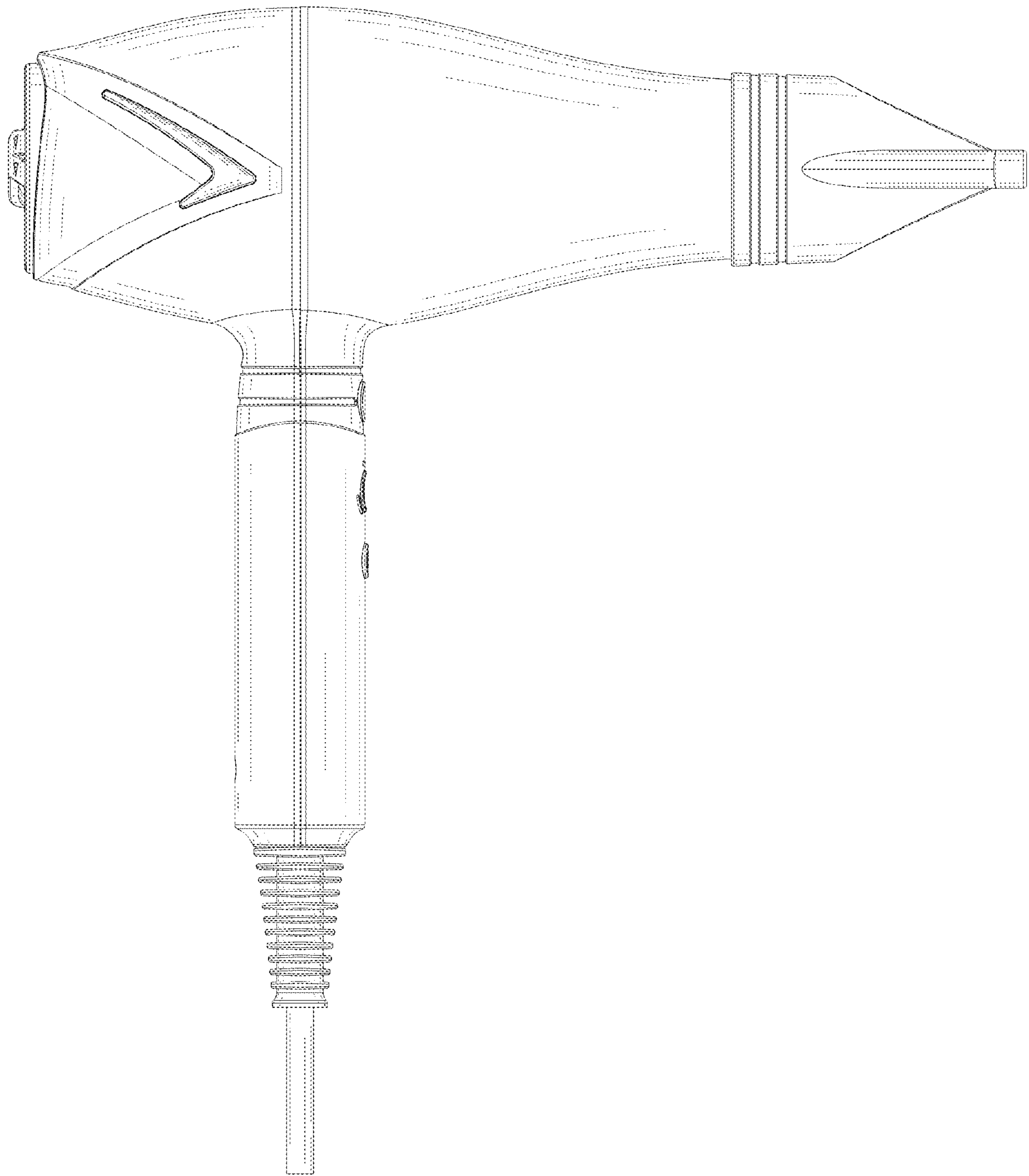


FIG. 4

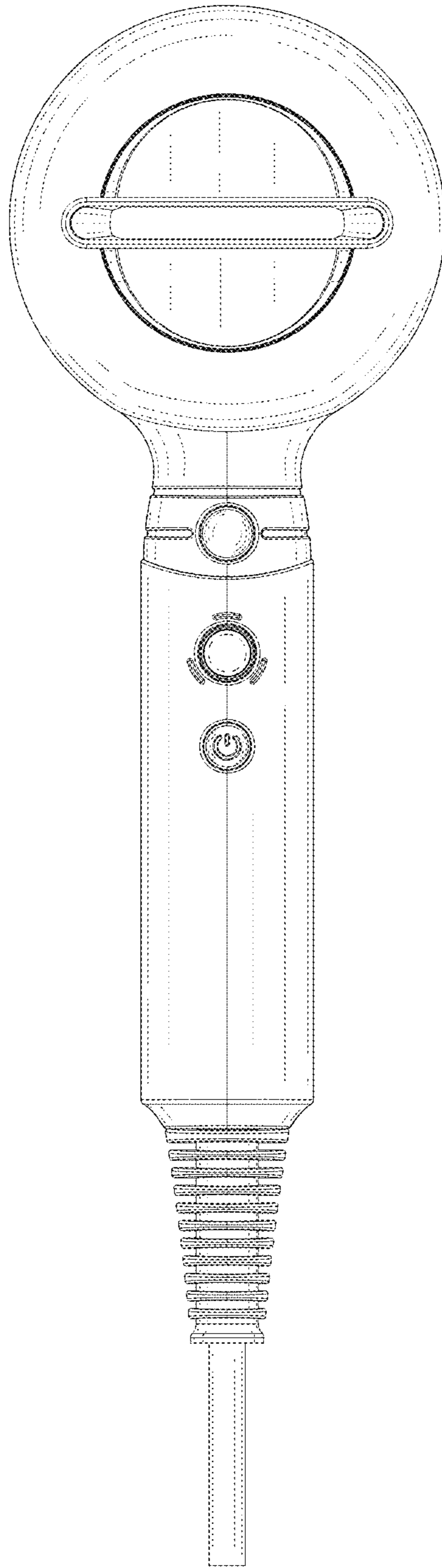


FIG. 5

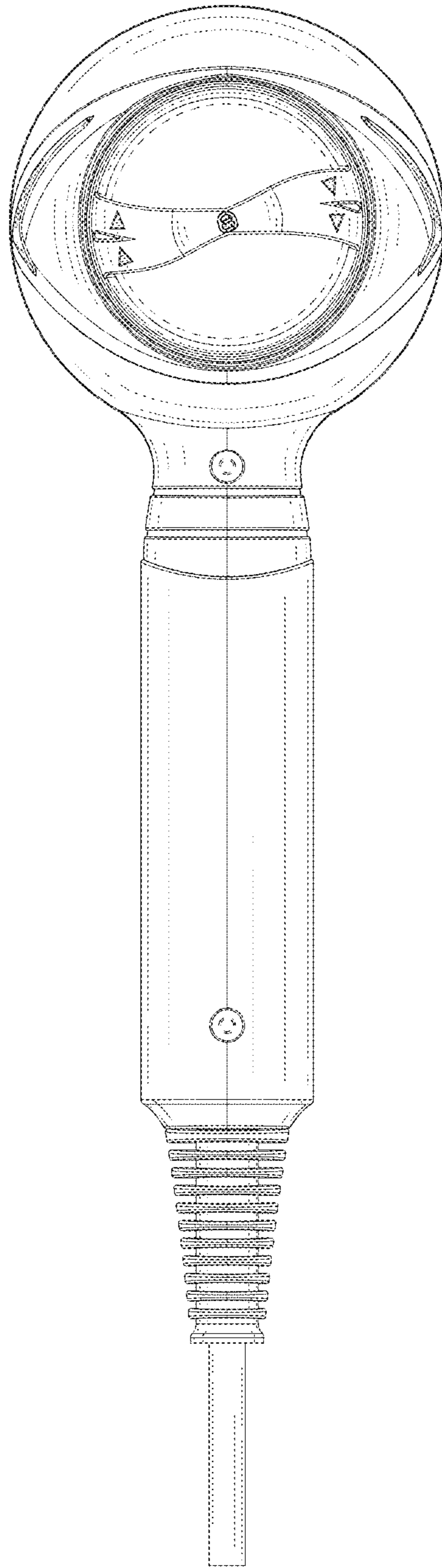


FIG. 6

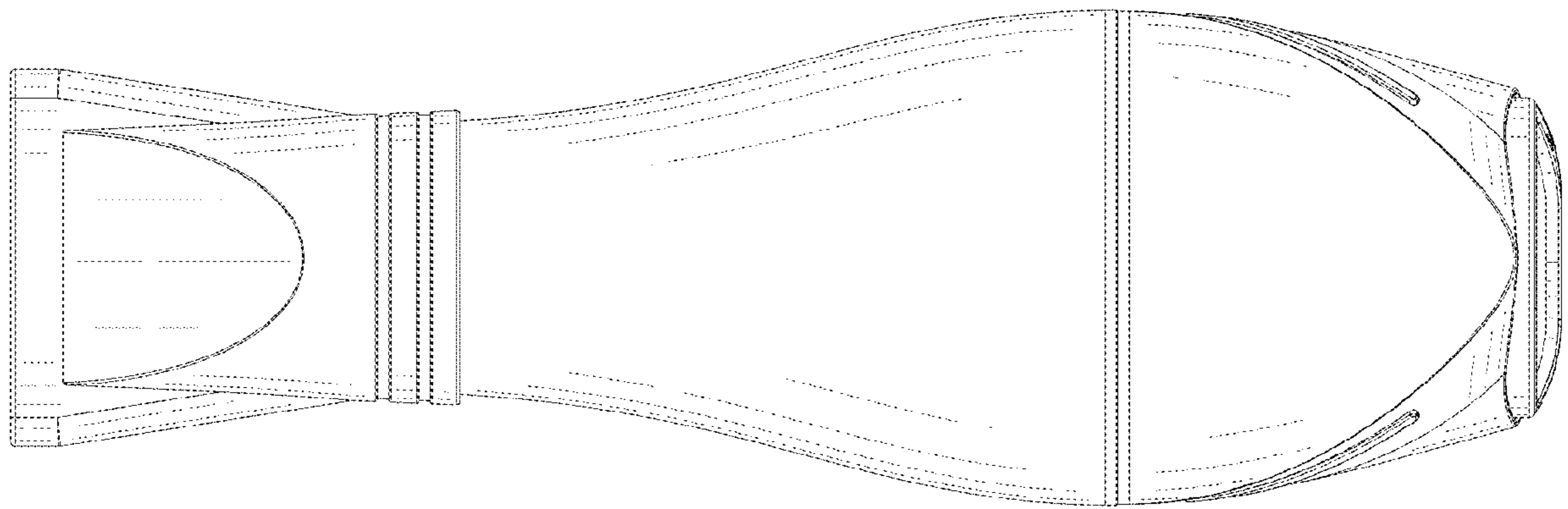


FIG. 7

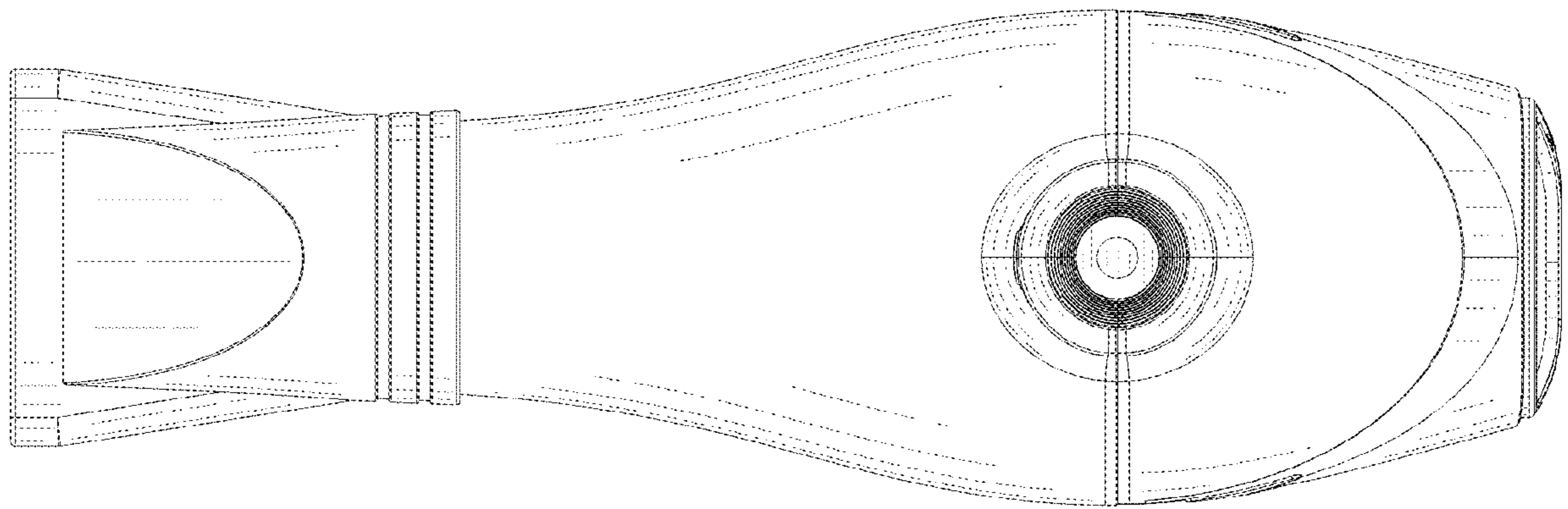


FIG. 8