



US00D901764S

(12) **United States Design Patent**  
**Huang**

(10) **Patent No.:** **US D901,764 S**

(45) **Date of Patent:** **\*\* Nov. 10, 2020**

(54) **HAIR DRYER**

(71) Applicant: **Guangdong Huanengda Electrical appliances Co., LTD., Jieyang (CN)**

(72) Inventor: **Huaqun Huang, Jieyang (CN)**

(73) Assignee: **GUANGDONG HUANENGDA ELECTRICAL APPLIANCES CO., LTD., Jieyang (CN)**

(\*\*) Term: **15 Years**

(21) Appl. No.: **29/701,352**

(22) Filed: **Aug. 11, 2019**

(51) **LOC (12) Cl.** ..... **28-03**

(52) **U.S. Cl.**  
USPC ..... **D28/13**

(58) **Field of Classification Search**  
USPC ..... D28/12-19  
CPC ..... A45D 20/04; A45D 20/06; A45D 20/08;  
A45D 20/10; A45D 20/128  
See application file for complete search history.

(56) **References Cited**

**U.S. PATENT DOCUMENTS**

D639,505 S \* 6/2011 Kim ..... D28/13  
D651,342 S \* 12/2011 Kim ..... D28/13

D681,275 S \* 4/2013 Huang ..... D28/13  
D758,657 S \* 6/2016 Hary ..... D28/13  
D815,353 S \* 4/2018 Barbar ..... D28/13  
D821,647 S \* 6/2018 Parodi ..... D28/13  
D850,000 S \* 5/2019 Chen ..... D28/13  
D865,284 S \* 10/2019 Janowick ..... D28/13

\* cited by examiner

*Primary Examiner* — Zenia I Bennett

(74) *Attorney, Agent, or Firm* — Dragon Sun Law Firm, PC; Jinggao Li, Esq.

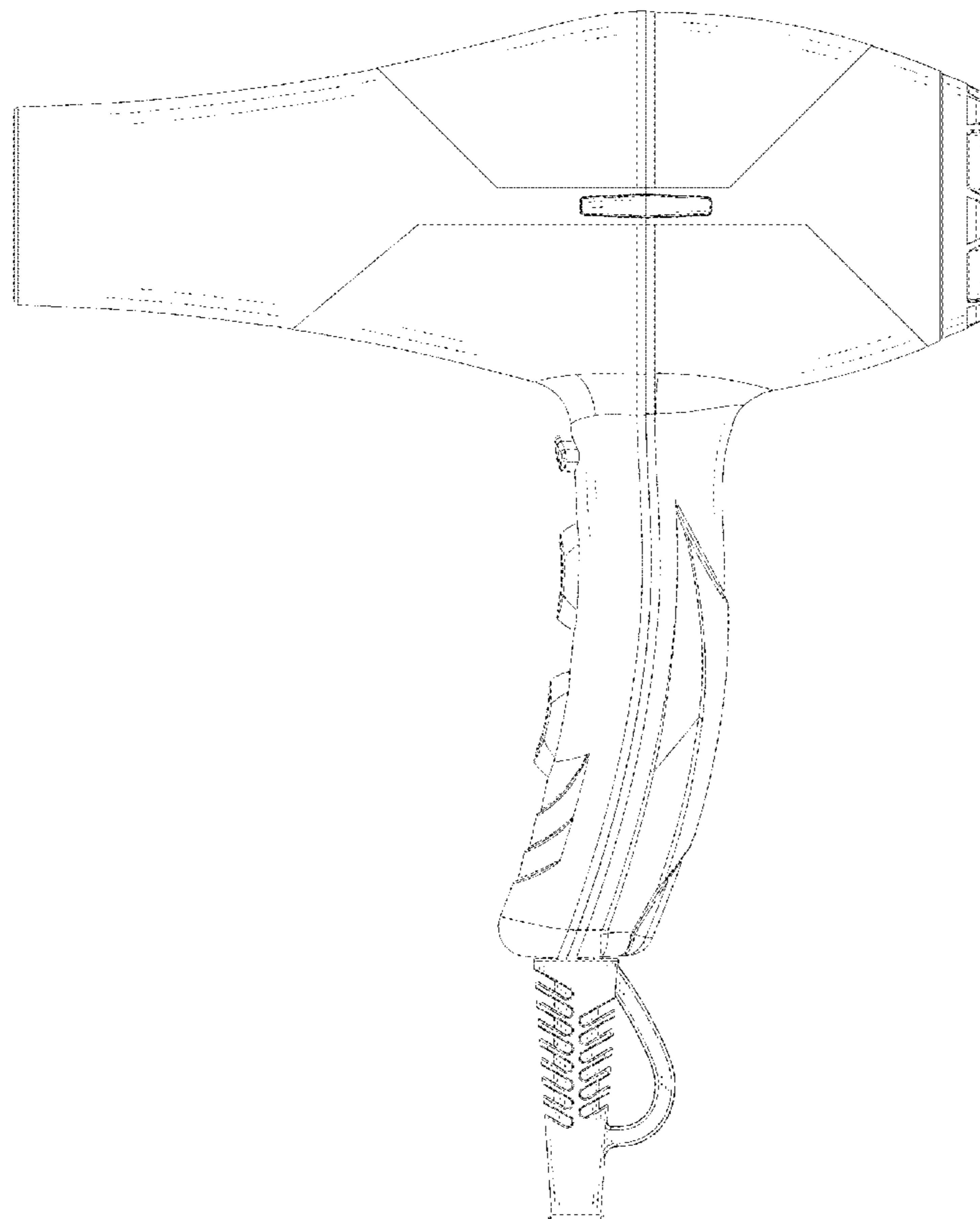
(57) **CLAIM**

The ornamental design for a hair dryer, as shown and described.

**DESCRIPTION**

FIG. 1 is a left side view of a hair dryer showing my new design;  
FIG. 2 is a right side view thereof;  
FIG. 3 is a front view thereof;  
FIG. 4 is a rear view thereof;  
FIG. 5 is a top plan view thereof;  
FIG. 6 is a bottom plan view thereof;  
FIG. 7 is a perspective view thereof; and,  
FIG. 8 is another perspective view thereof.  
The broken lines in the drawings illustrate portions of the hair dryer and form no part of the claimed design.

**1 Claim, 8 Drawing Sheets**



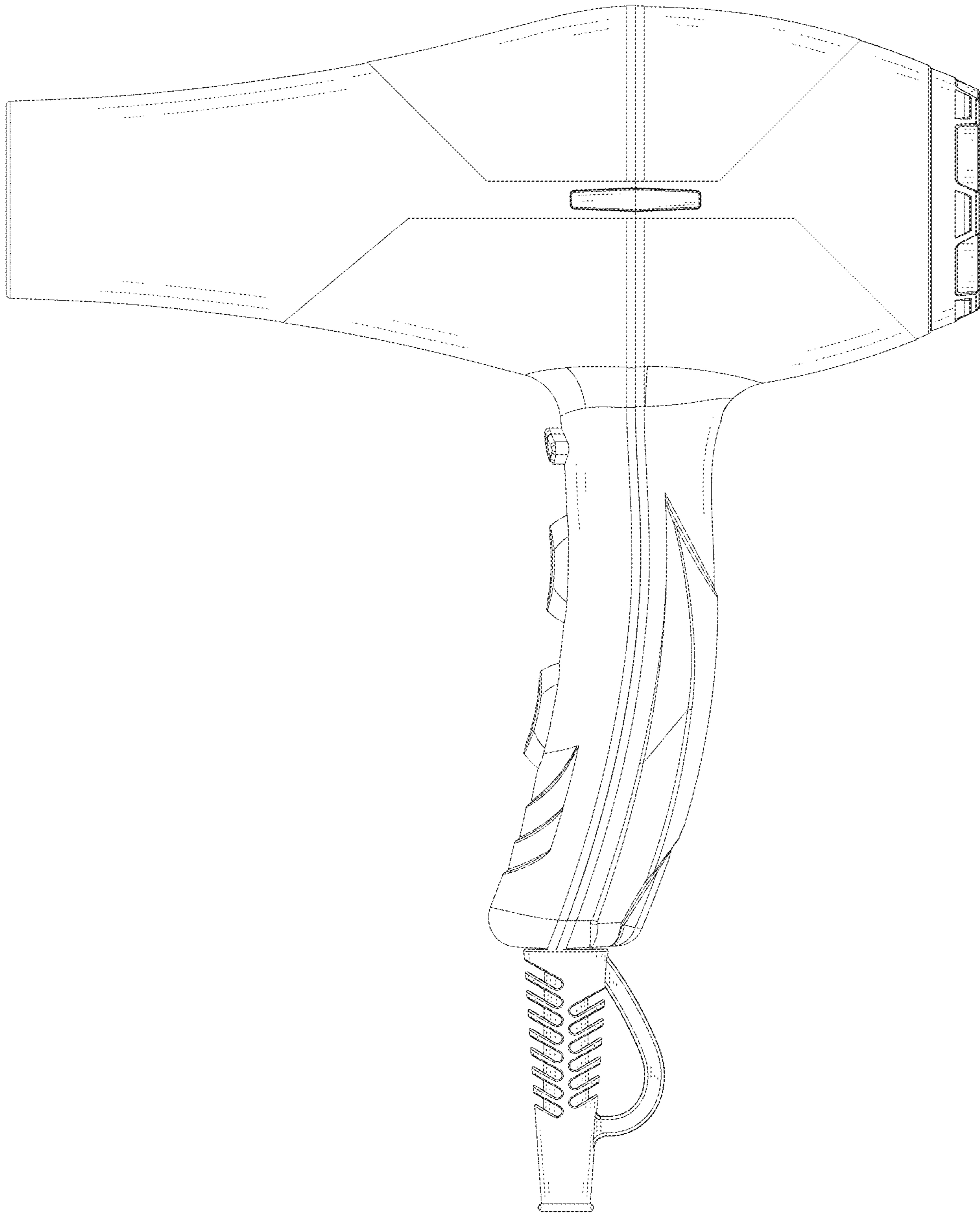


FIG. 1

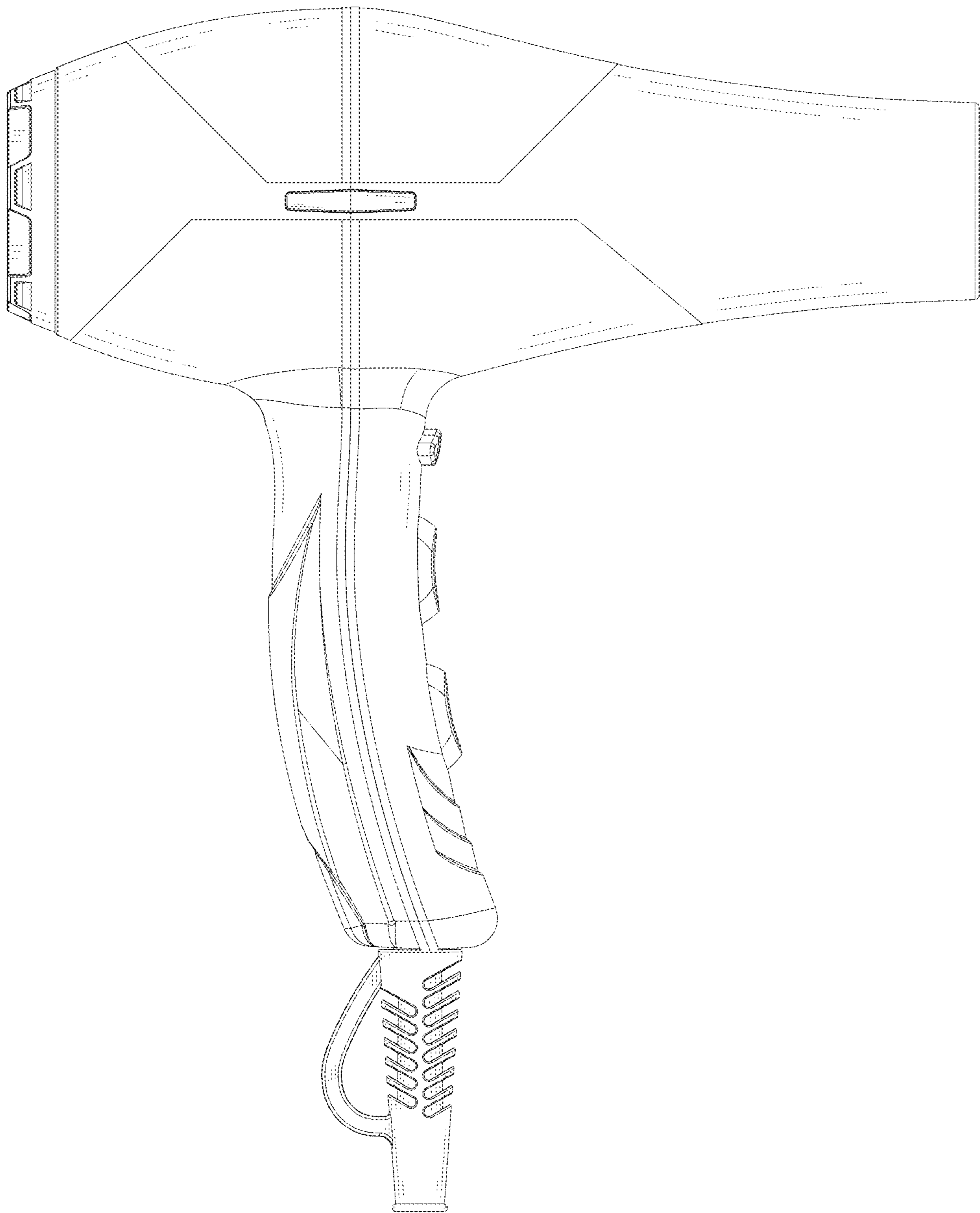


FIG. 2

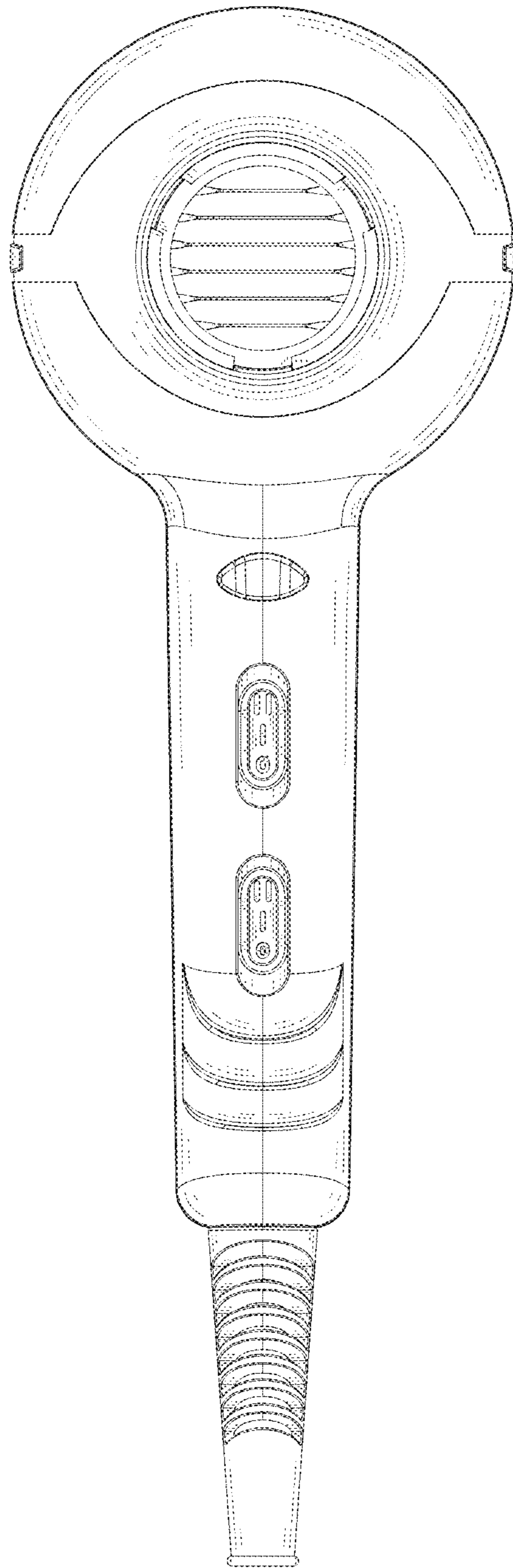


FIG. 3

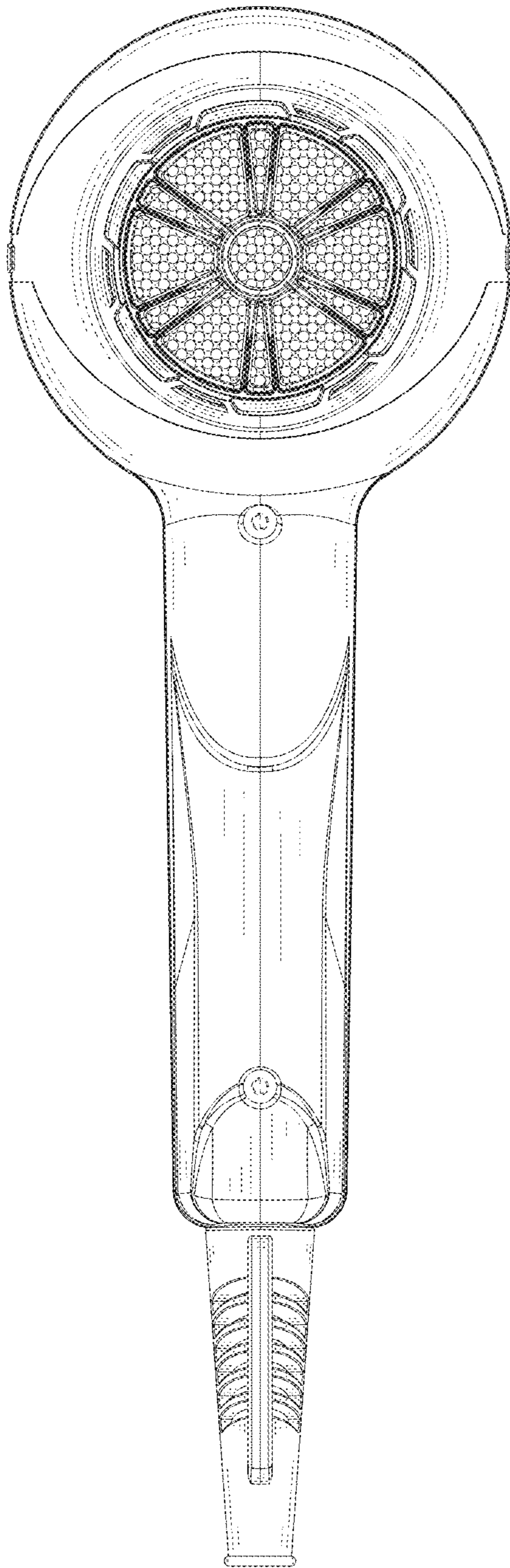


FIG. 4

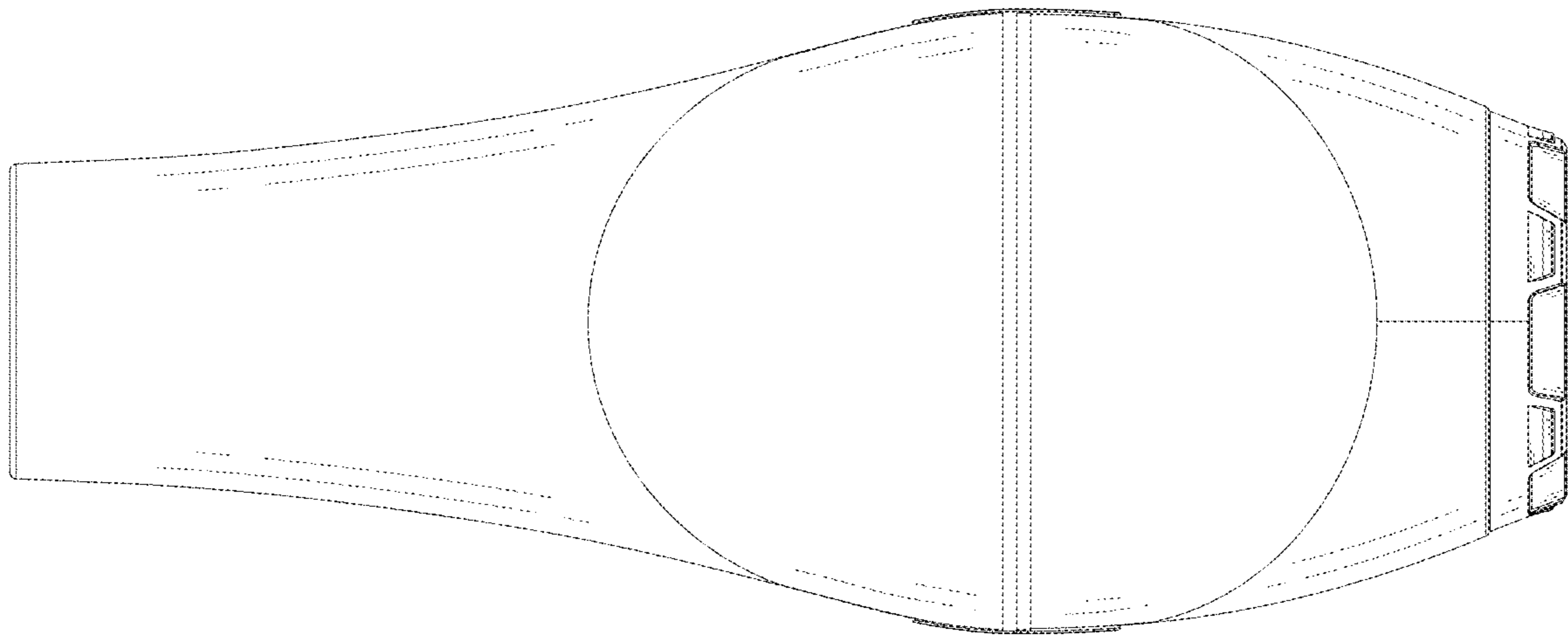


FIG. 5

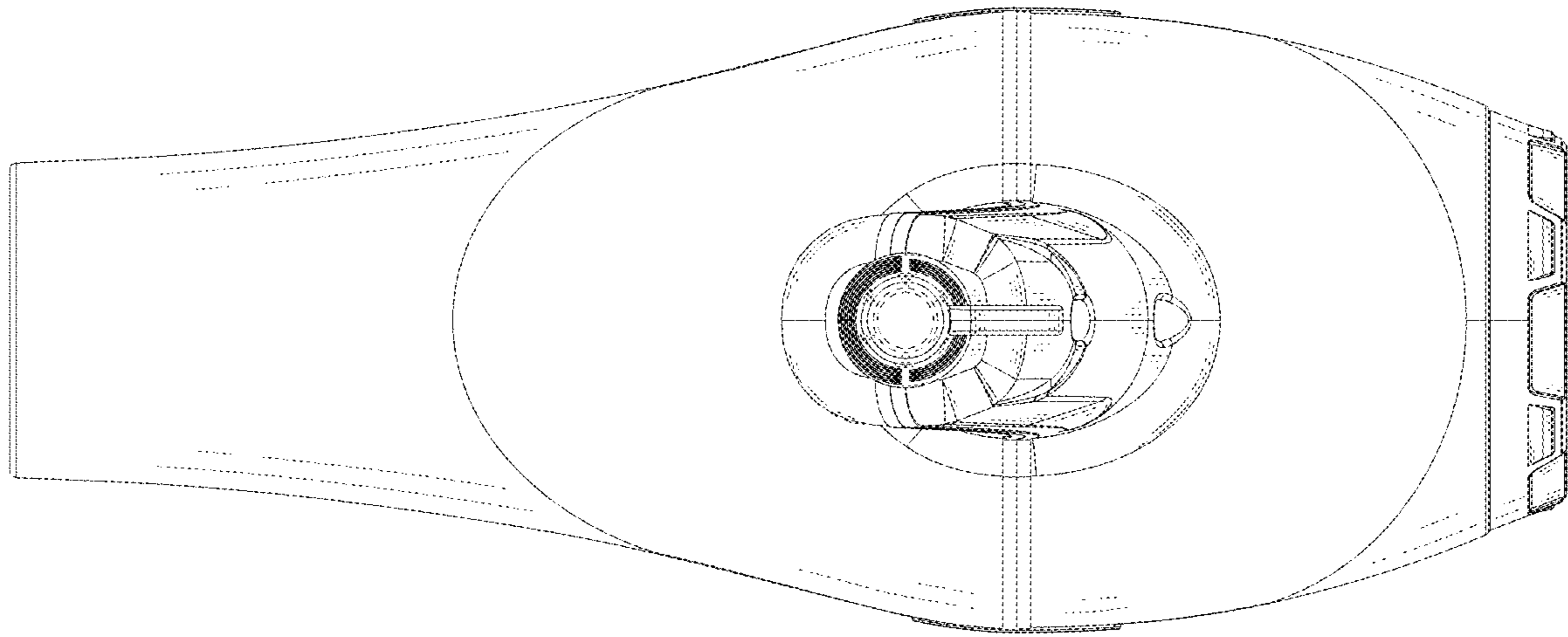


FIG. 6

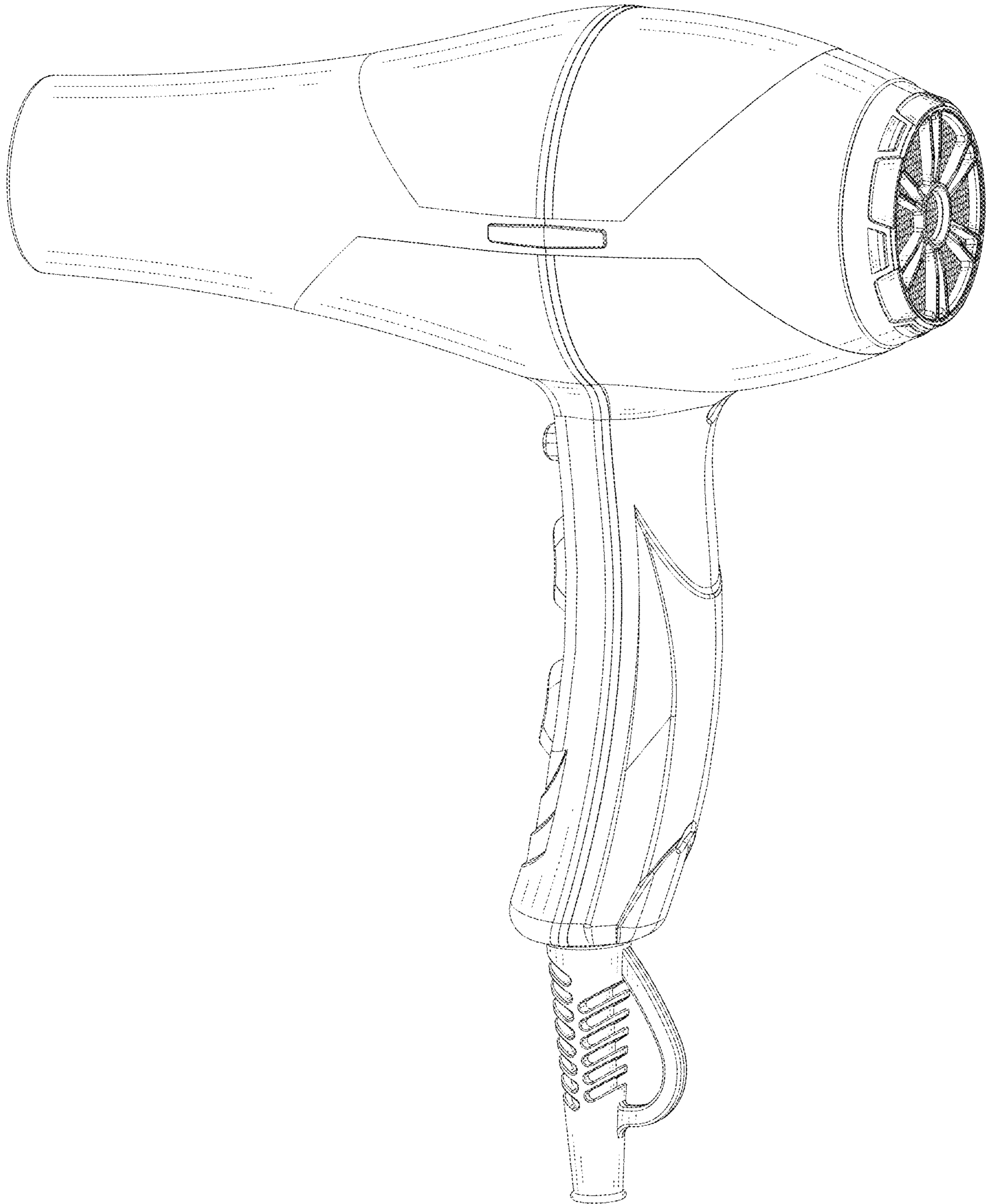


FIG. 7



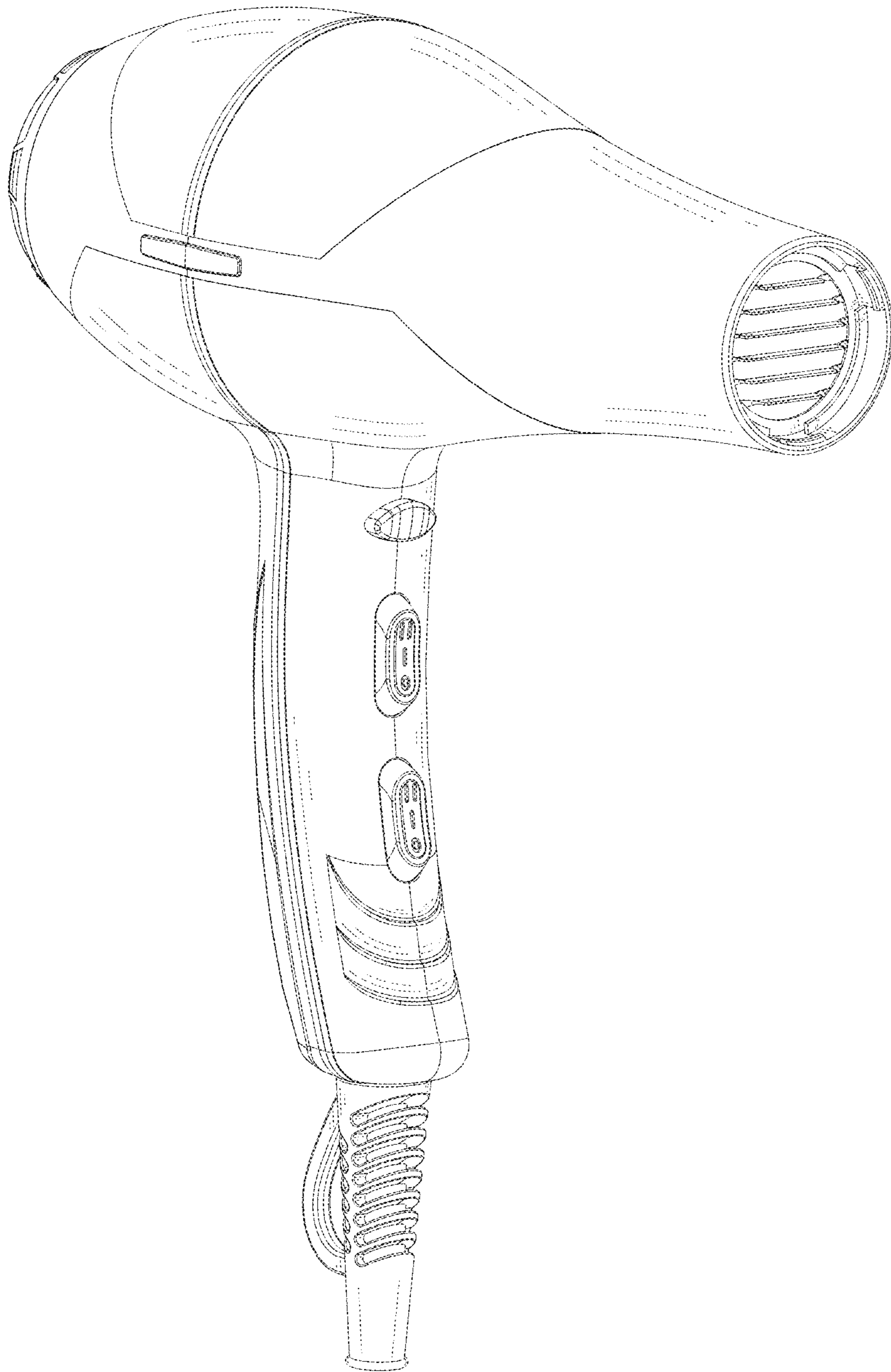


FIG. 8