



US00D901763S

(12) **United States Design Patent** (10) **Patent No.:** **US D901,763 S**
Cheung et al. (45) **Date of Patent:** **** Nov. 10, 2020**

- (54) **CHARGING DOCK**
- (71) Applicant: **JUUL Labs, Inc.**, San Francisco, CA (US)
- (72) Inventors: **Brandon Cheung**, San Francisco, CA (US); **Claire O'Malley**, San Francisco, CA (US)
- (73) Assignee: **JUUL Labs, Inc.**, San Francisco, CA (US)
- (**) Term: **15 Years**
- (21) Appl. No.: **29/667,663**
- (22) Filed: **Oct. 23, 2018**
- (51) **LOC (12) Cl.** **27-02**
- (52) **U.S. Cl.**
USPC **D27/167**
- (58) **Field of Classification Search**
USPC D27/167, 100, 101, 162-165, 172, 174, D27/183, 185-194; D24/110, 110.5; 131/273, 274, 191, 329, 330; 128/202.21, 128/203.12
CPC A24F 47/002; A24F 47/004; A24F 47/006; A24F 47/008; A61M 15/06
See application file for complete search history.

5,529,078 A 6/1996 Rehder et al.
 D375,936 S 11/1996 Palatov
 D399,598 S * 10/1998 Perkins D27/189
 (Continued)

FOREIGN PATENT DOCUMENTS

CN 101861691 A 10/2010
 CN 202004499 U 10/2011
 JP 2001165437 A 6/2001

OTHER PUBLICATIONS

Lotsberg, M. *Juul Vapor E-Cig Unboxing, Set Up & First Impressions with Virginia Tobacco*, Youtube, Published Oct. 11, 2017. Available at: <https://www.youtube.com/watch?v=vX9W7Vq-DBk>.
 (Continued)

Primary Examiner — Marissa J Cash
Assistant Examiner — Rebecca Tsehaye
 (74) *Attorney, Agent, or Firm* — Mintz Levin Cohn Ferris Glovsky and Popeo, P.C.

(57) **CLAIM**
 The ornamental design for a charging dock, as shown and described.

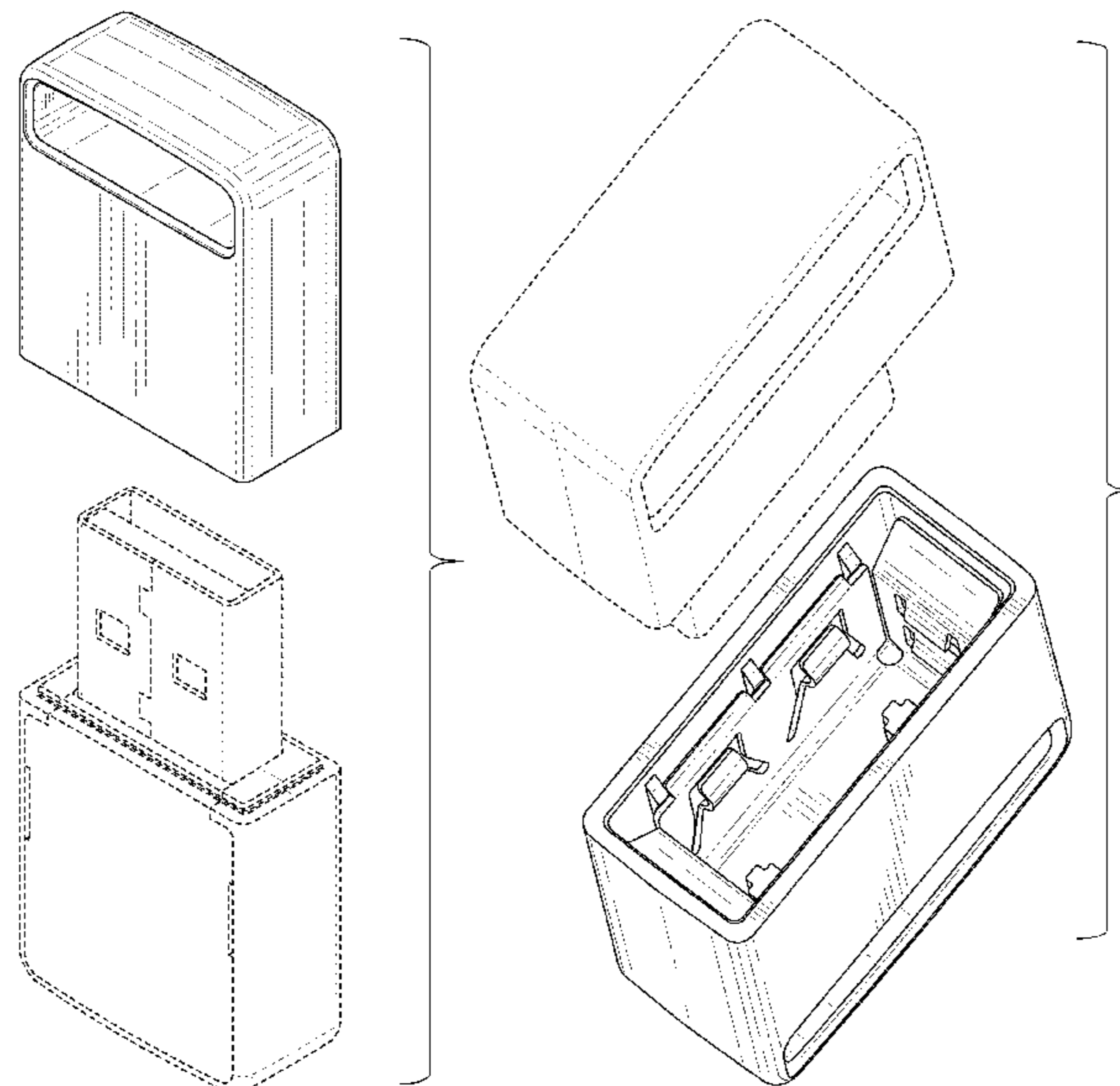
DESCRIPTION

FIG. 1 is a bottom, rear, and left side perspective view of a charging dock of our design;
 FIG. 2 is a top, front, and right side perspective view thereof;
 FIG. 3 is a top, front, and left side perspective view thereof;
 FIG. 4 is a top view thereof;
 FIG. 5 is a bottom view thereof;
 FIG. 6 is a right view thereof;
 FIG. 7 is a left view thereof;
 FIG. 8 is a rear view thereof;
 FIG. 9 is a front view thereof; and,
 FIG. 10 is another front view thereof.
 The dash-dash broken lines illustrate portions of the charging dock that form no part of the claimed design.

1 Claim, 8 Drawing Sheets

(56) **References Cited**
U.S. PATENT DOCUMENTS

969,076 A	8/1910	Pender	
2,459,656 A	1/1949	Jack	
4,241,742 A	12/1980	Hilding	
D292,437 S *	10/1987	Wind, III	D27/189
D296,718 S *	7/1988	Takanashi	D27/183
D298,574 S *	11/1988	Long	D27/187
D327,248 S	6/1992	Hotsumi et al.	
D359,474 S	6/1995	Palatov	
D361,069 S	8/1995	Hellier et al.	



(56)

References Cited

U.S. PATENT DOCUMENTS

D458,409 S 6/2002 Najar et al.
 6,743,030 B2 6/2004 Lin et al.
 D500,302 S 12/2004 Deguchi
 D514,741 S 2/2006 Harel
 D521,445 S 5/2006 Liu
 D529,044 S 9/2006 Andre et al.
 D532,776 S 11/2006 Griffin
 D542,789 S 5/2007 Depay
 7,214,075 B2 5/2007 He et al.
 7,275,941 B1 10/2007 Bushby
 D557,209 S 12/2007 Ahlgren et al.
 D576,619 S 9/2008 Udagawa et al.
 D577,019 S 9/2008 Udagawa et al.
 D579,934 S 11/2008 Okamoto et al.
 D591,758 S 5/2009 Lee
 D607,403 S 1/2010 Hara et al.
 D609,638 S 2/2010 Biheller et al.
 D610,588 S 2/2010 Chen
 7,753,055 B2 7/2010 Bryman
 D624,012 S 9/2010 de Medeiros et al.
 D629,355 S 12/2010 Bodley et al.
 D631,055 S 1/2011 Gilbert et al.
 D631,883 S 2/2011 Maier
 D631,885 S 2/2011 Maier
 D633,436 S 3/2011 Griffin, Jr.
 D635,142 S 3/2011 Borislow
 7,905,236 B2 3/2011 Bryman et al.
 D638,430 S 5/2011 Lee et al.
 D639,303 S 6/2011 Ni et al.
 D647,907 S 11/2011 Perry et al.
 D648,707 S 11/2011 Akana et al.
 D648,726 S 11/2011 Behar et al.
 D655,708 S 3/2012 Frank
 D656,459 S 3/2012 Crawley
 D677,000 S * 2/2013 Liu D27/189
 D682,841 S 5/2013 Suetake et al.
 D686,987 S 7/2013 Vanstone et al.
 D687,042 S 7/2013 Yoneta et al.
 D692,615 S 10/2013 Verleur
 D703,679 S * 4/2014 Chen D14/480.1
 D703,680 S * 4/2014 Lin D14/480.1
 D704,634 S 5/2014 Eidelman et al.
 D707,688 S 6/2014 Wu

D711,389 S 8/2014 Sun et al.
 D711,891 S 8/2014 Emami et al.
 D725,124 S 3/2015 Lin et al.
 9,032,968 B2 5/2015 Glasberg et al.
 D738,570 S * 9/2015 VanNostran D27/144
 D744,419 S 12/2015 Bowen et al.
 D747,265 S 1/2016 Marini
 D749,510 S 2/2016 Liu
 D756,563 S * 5/2016 Joyce, III D27/189
 9,723,877 B2 8/2017 Wong et al.
 D813,806 S 3/2018 Ito et al.
 D815,593 S 4/2018 Alves et al.
 10,045,568 B2 8/2018 Monsees et al.
 D836,831 S 12/2018 Cividi
 D836,834 S 12/2018 Cividi
 D842,536 S * 3/2019 Bowen D27/167
 D844,235 S * 3/2019 Cividi D27/167
 D849,996 S * 5/2019 Duque D27/194
 D853,325 S 7/2019 Xu
 D858,868 S * 9/2019 Bowen D27/162
 D858,869 S * 9/2019 Bowen D27/162
 D858,870 S * 9/2019 Bowen D27/162
 D864,475 S * 10/2019 Pierce D27/162
 2005/0029137 A1 2/2005 Wang
 2006/0288169 A1 12/2006 Steiner
 2007/0229025 A1 10/2007 Tsai et al.
 2010/0301032 A1 12/2010 Johnson
 2012/0018529 A1 1/2012 Gammon et al.
 2012/0188687 A1 7/2012 Yamamoto
 2014/0014124 A1 1/2014 Glasberg et al.
 2014/0021190 A1 1/2014 Sardar
 2015/0167976 A1 6/2015 Recio
 2015/0208729 A1 7/2015 Monsees et al.

OTHER PUBLICATIONS

Pierce, D. *This Might Just Be the First Great E-Cig*. {online} WIRED, Published on Apr. 21, 2015. Available at: https://www.wired.com/2015/04/pax-juul-ecig/?mbid=social_twitter.
 Robinson, M. *How a startup behind the iPhone of vaporizers' reinvented the e-cigarette and generated \$224 million in sales in a year*. Business Insider, Published on Nov. 21, 2017. Available at: <https://www.businessinsider.com/juul-e-cigarette-one-million-units-sold-2017-11>.

* cited by examiner

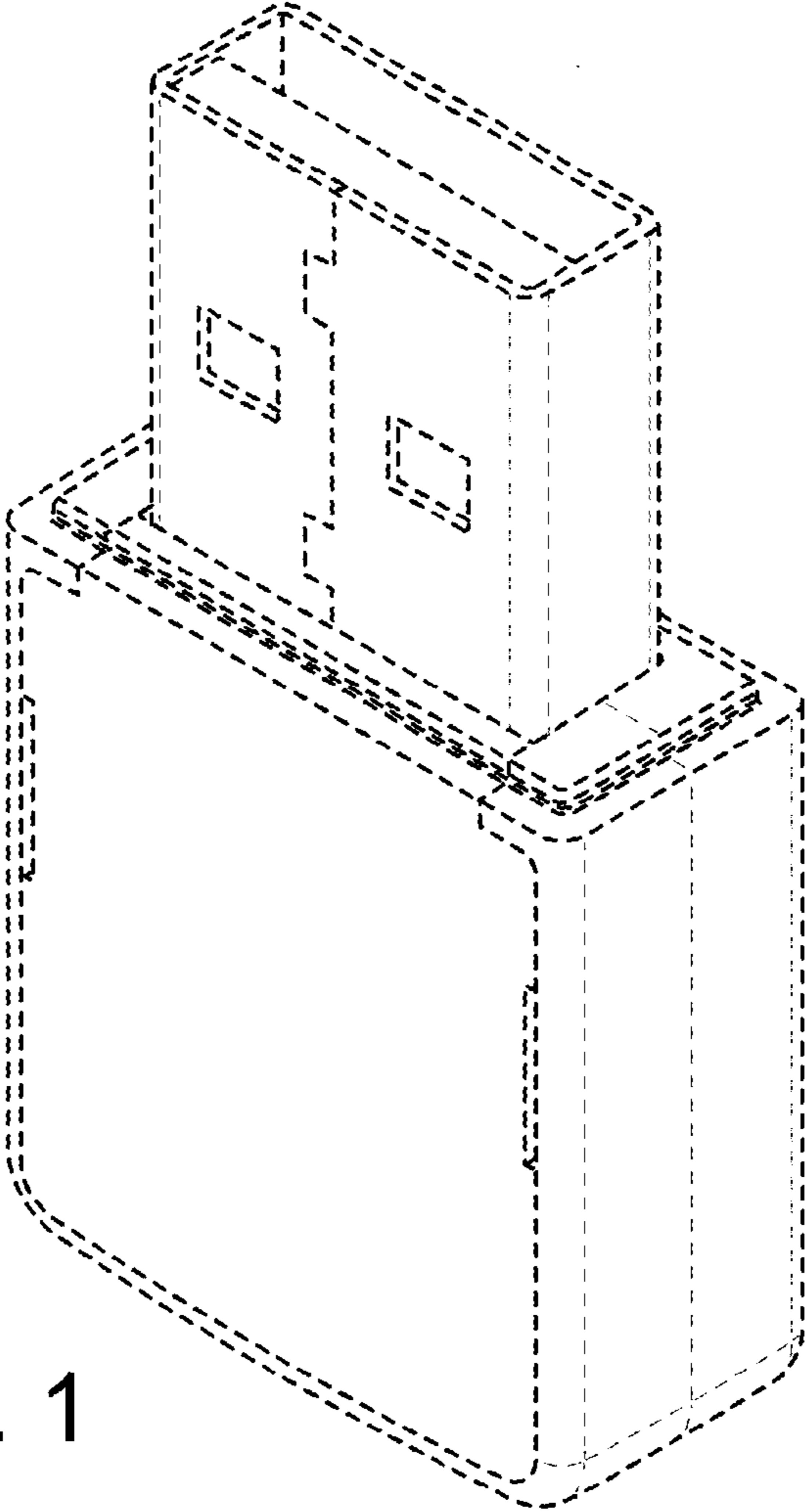
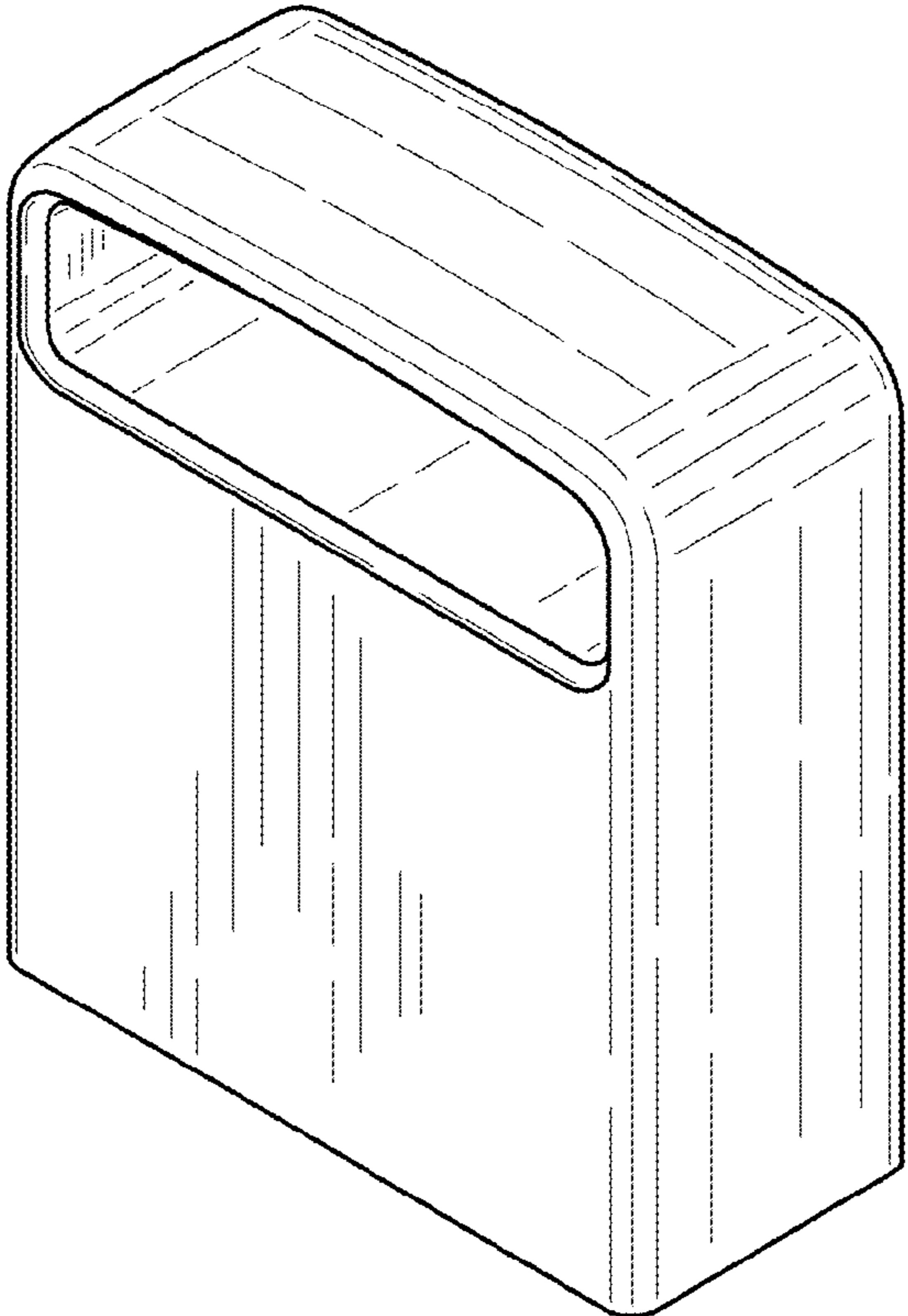
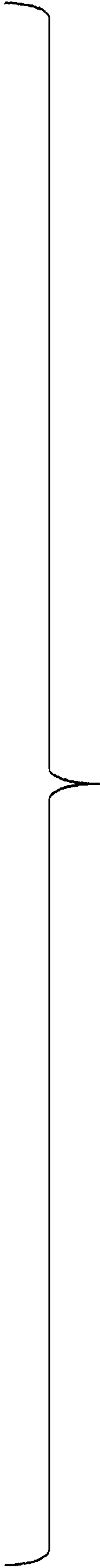


FIG. 1



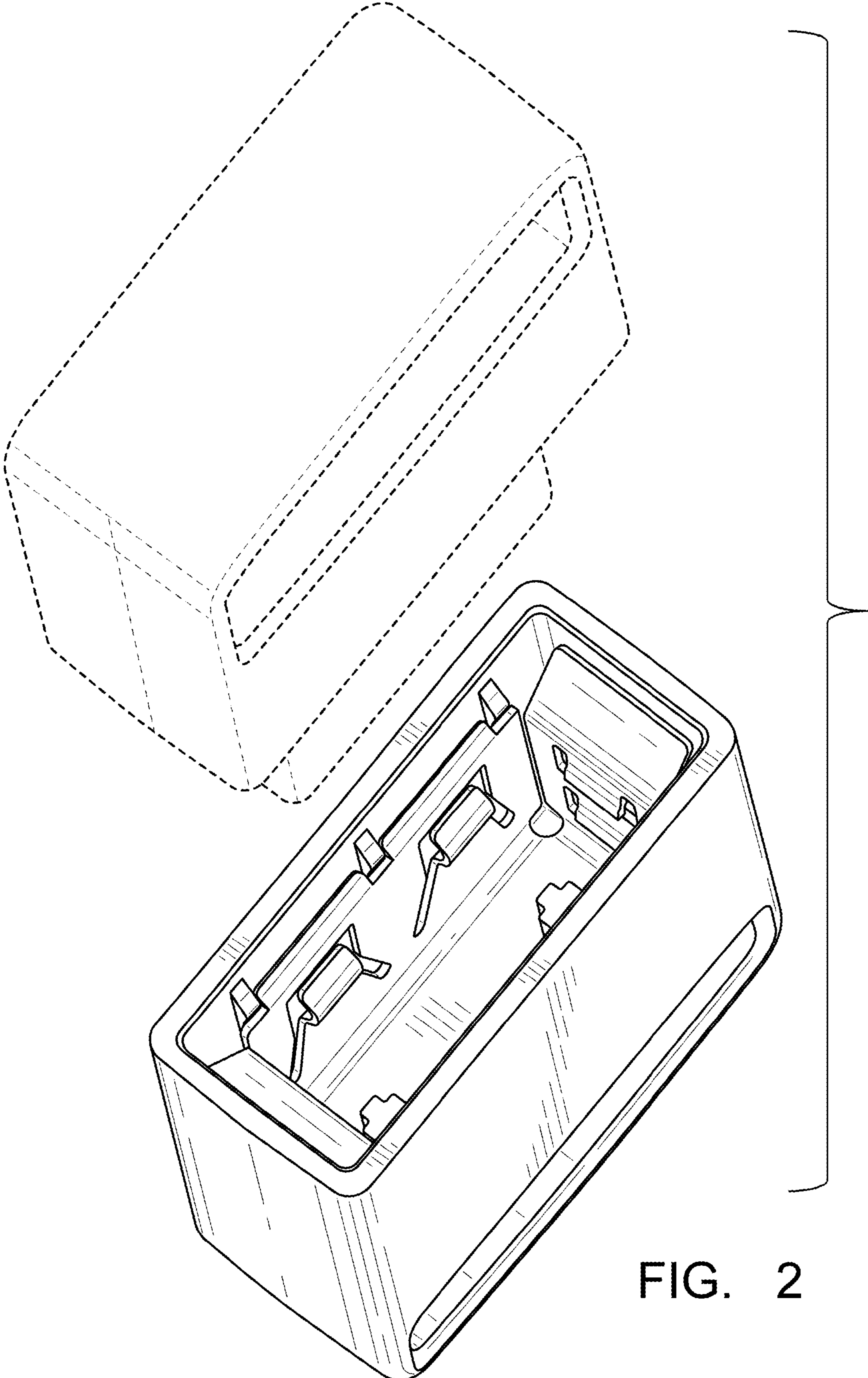


FIG. 2

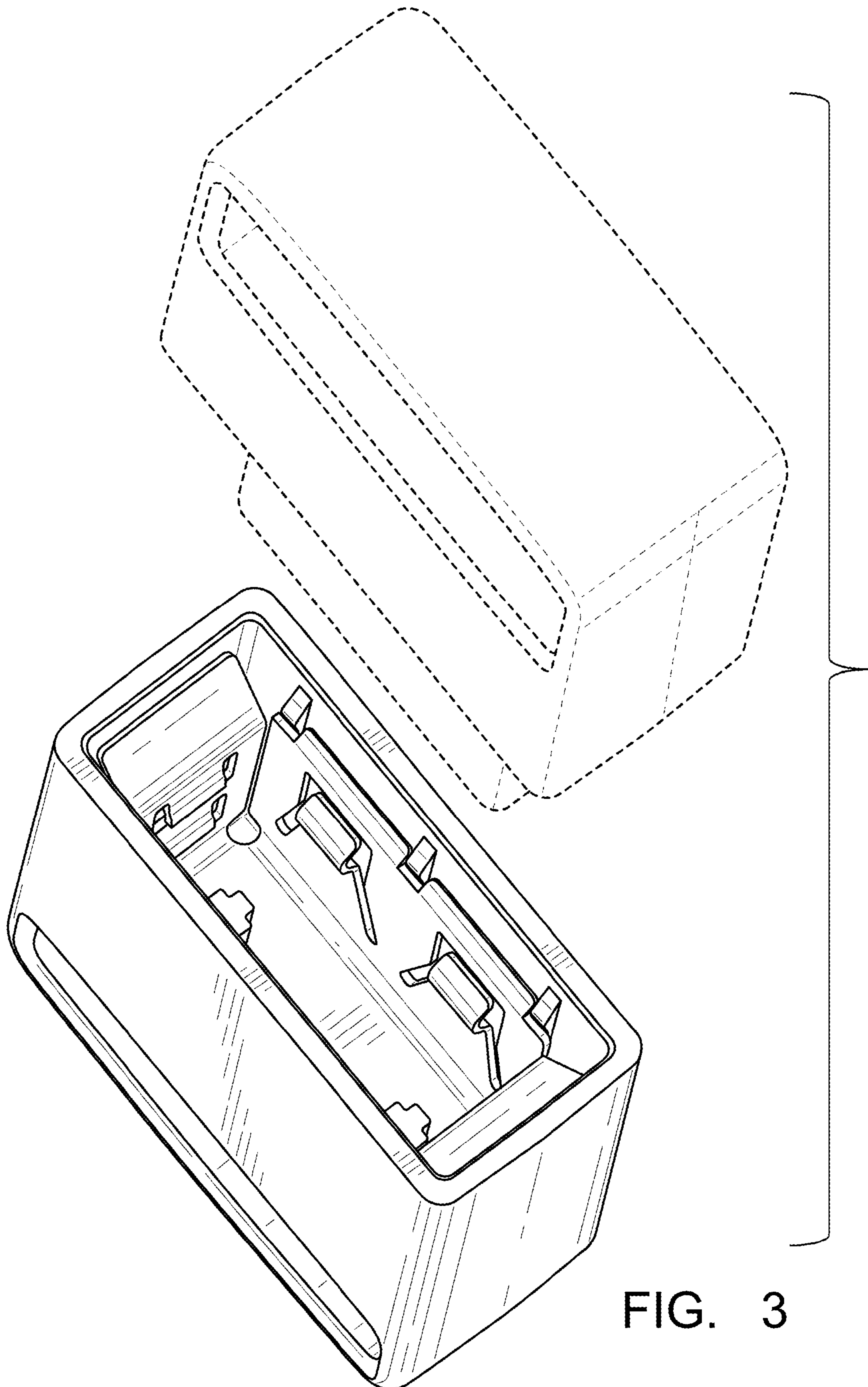


FIG. 3

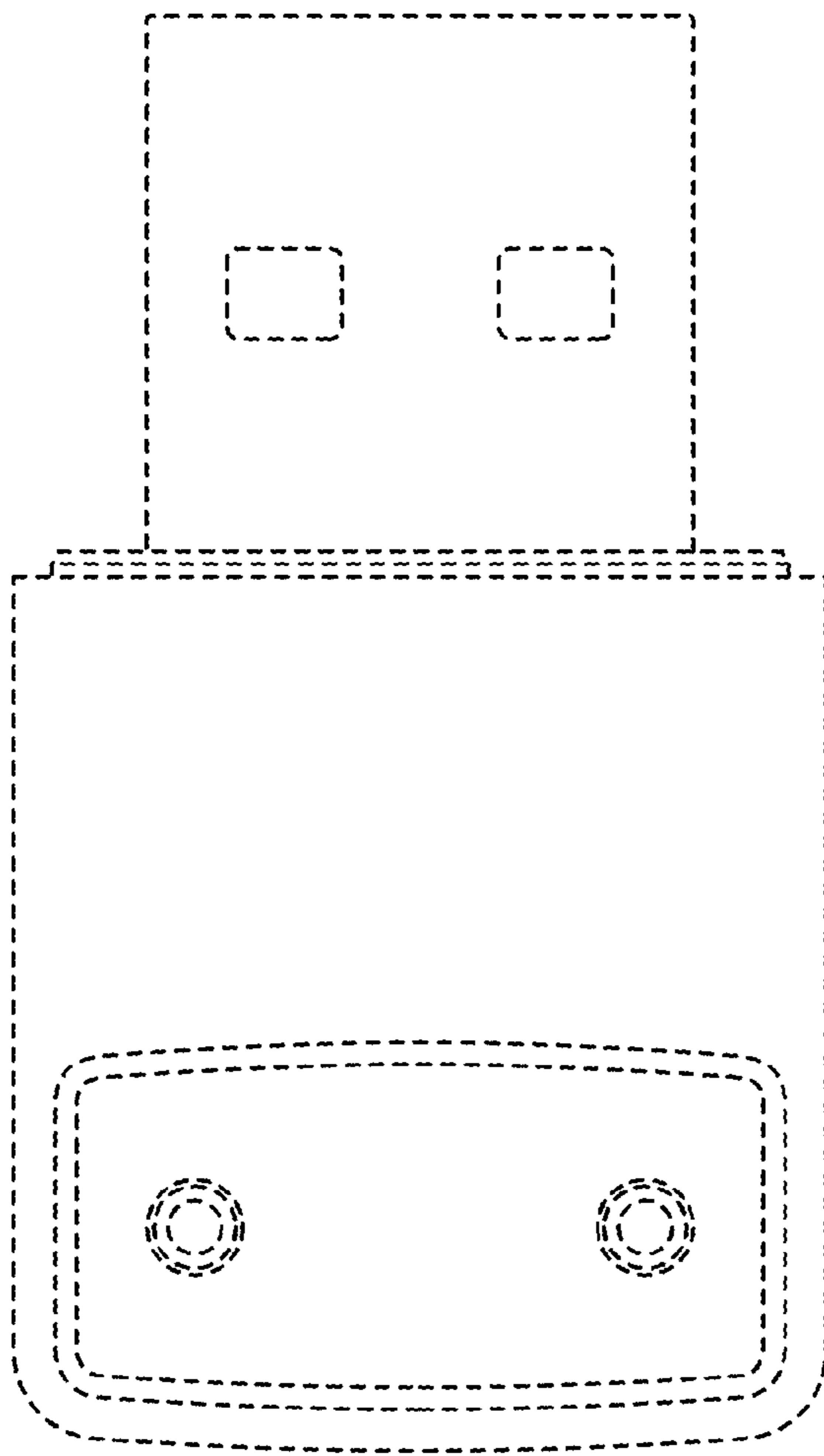
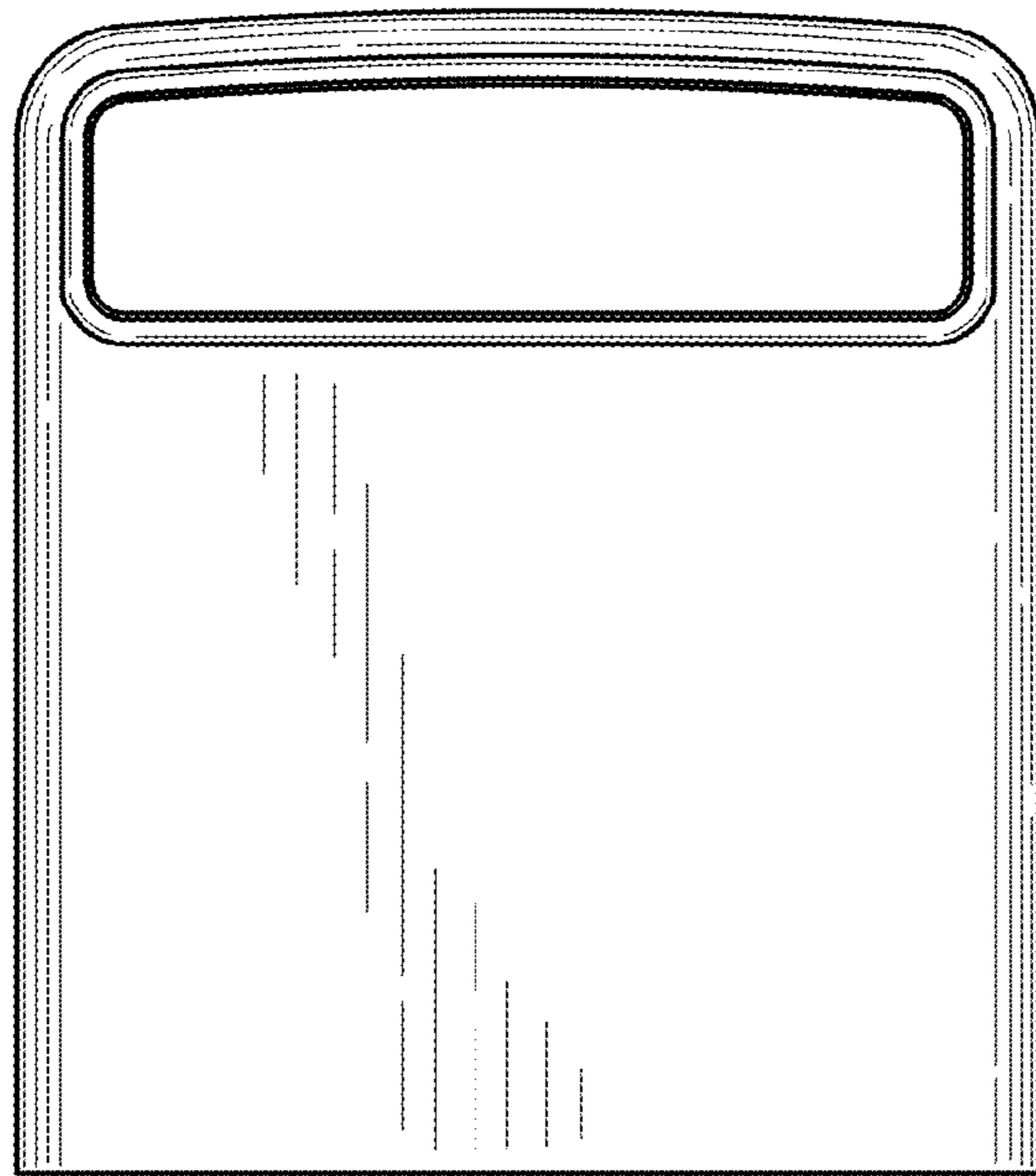


FIG. 4

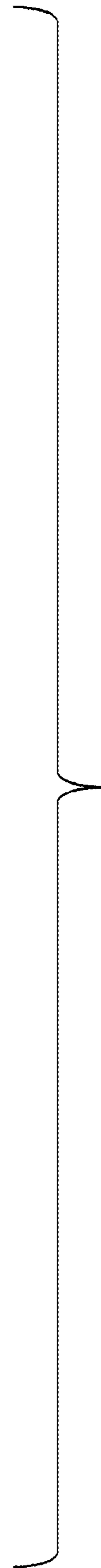
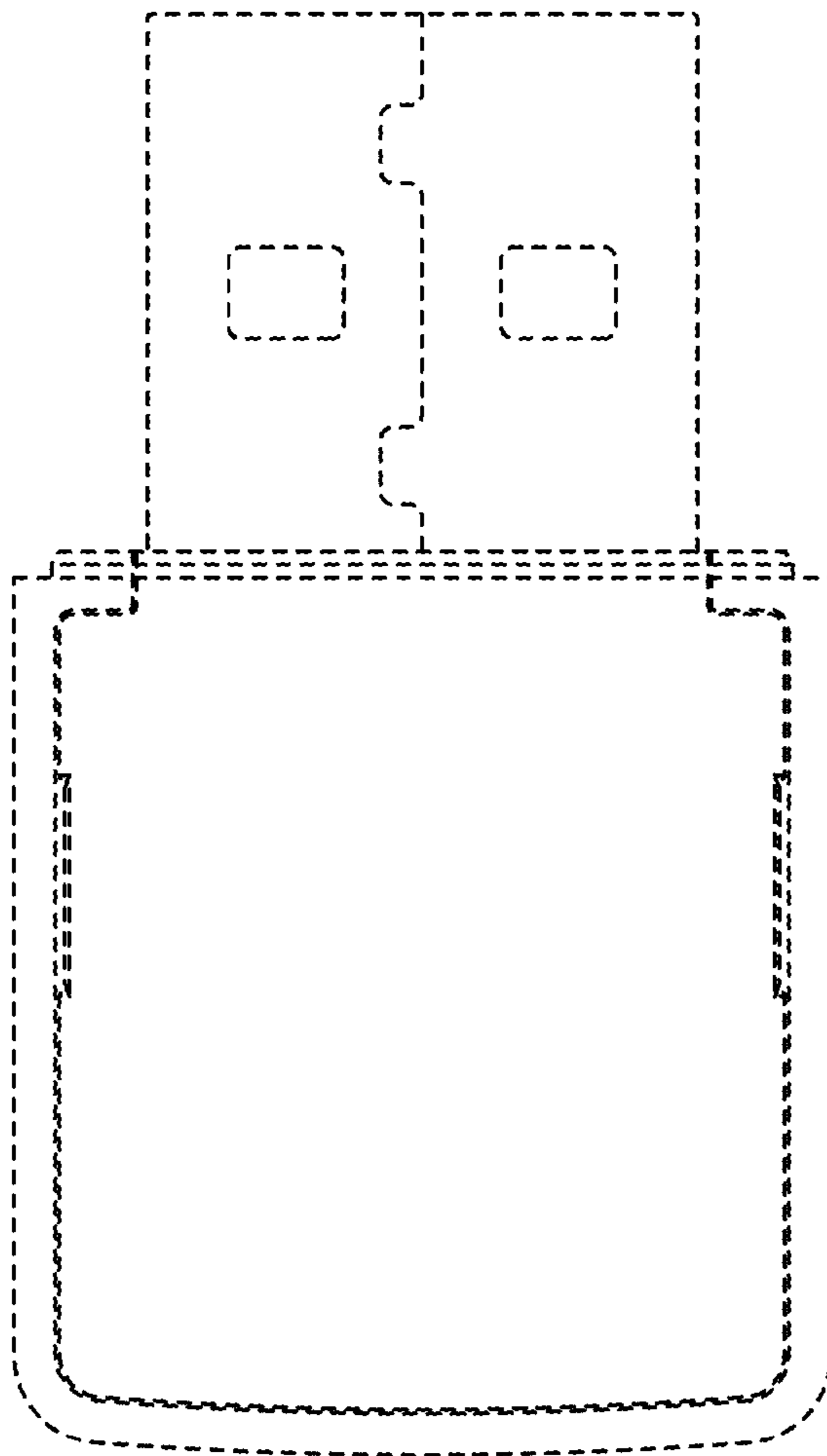
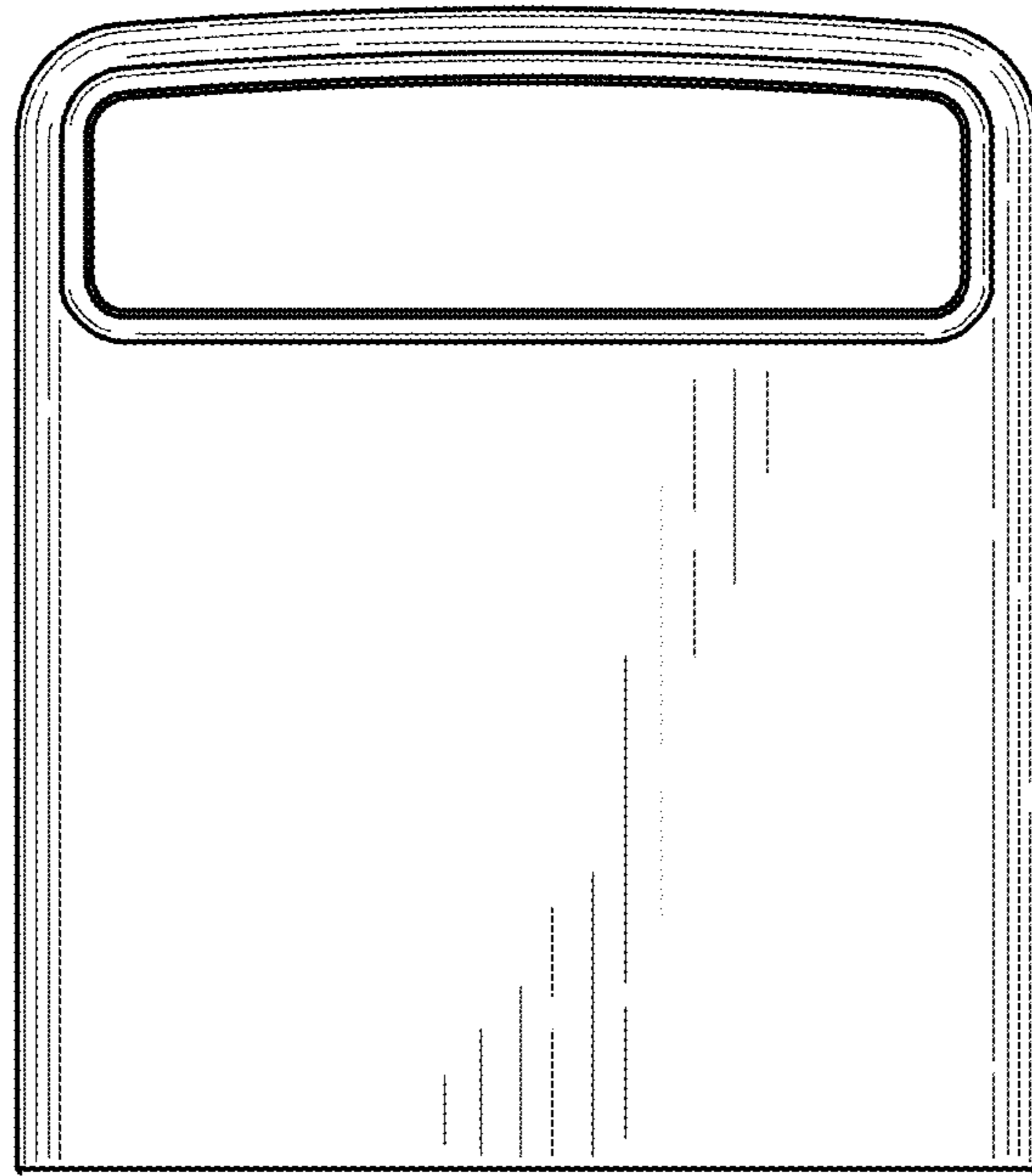


FIG. 5

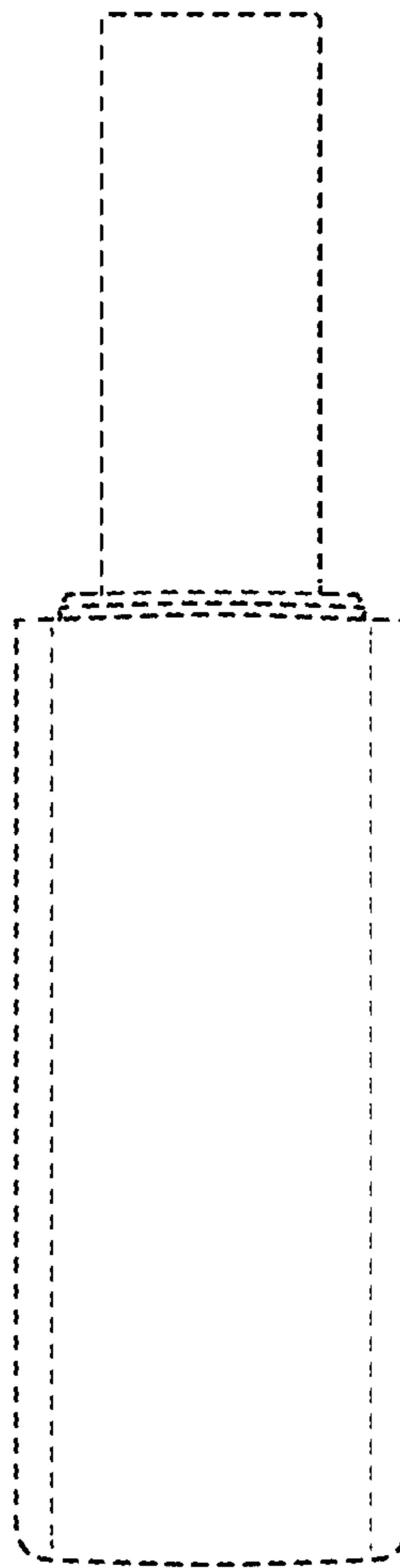
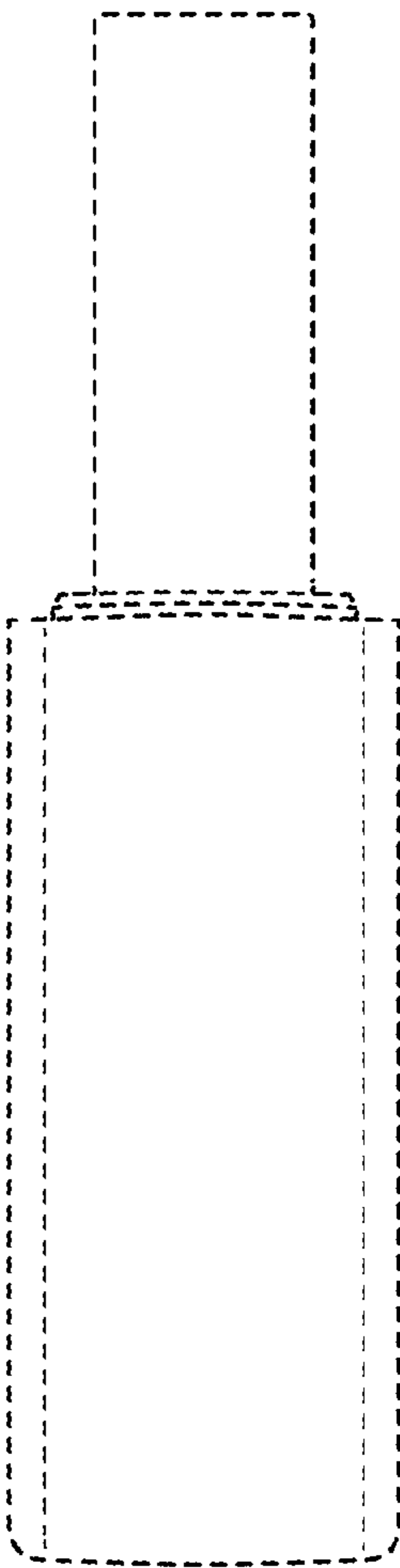
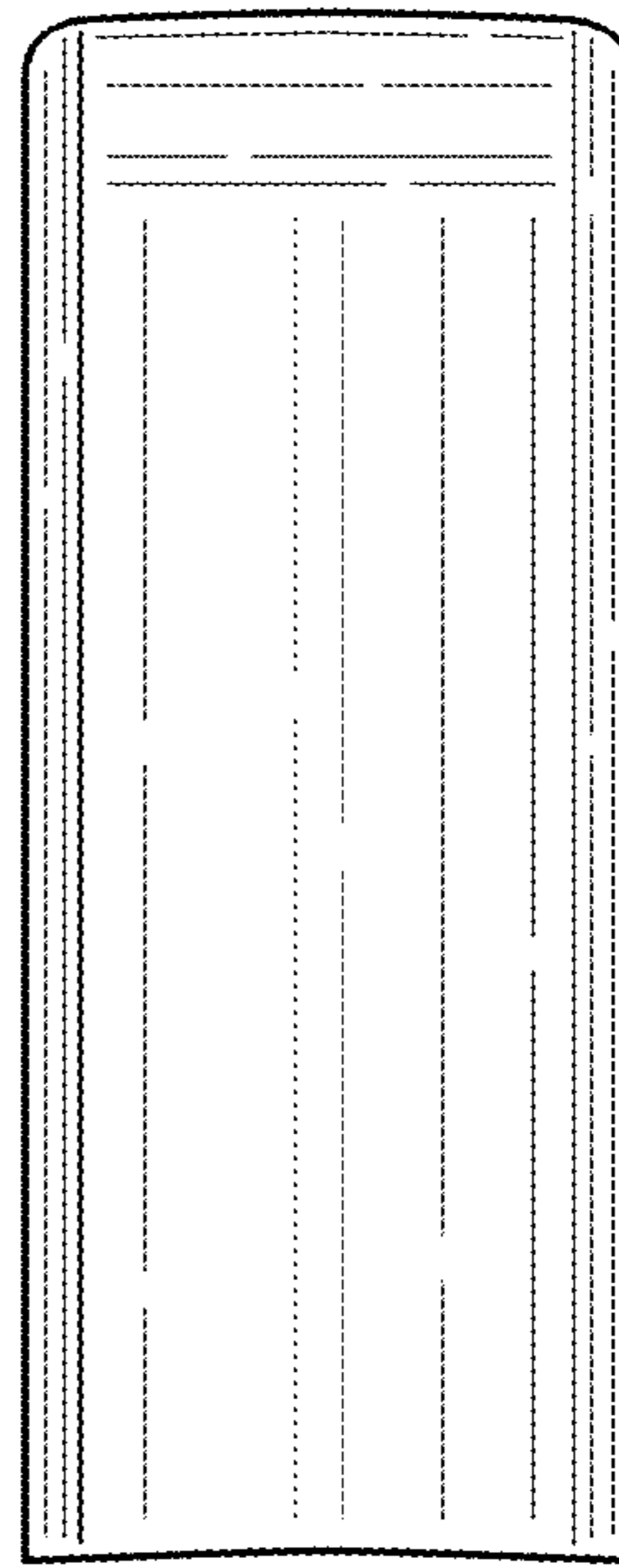
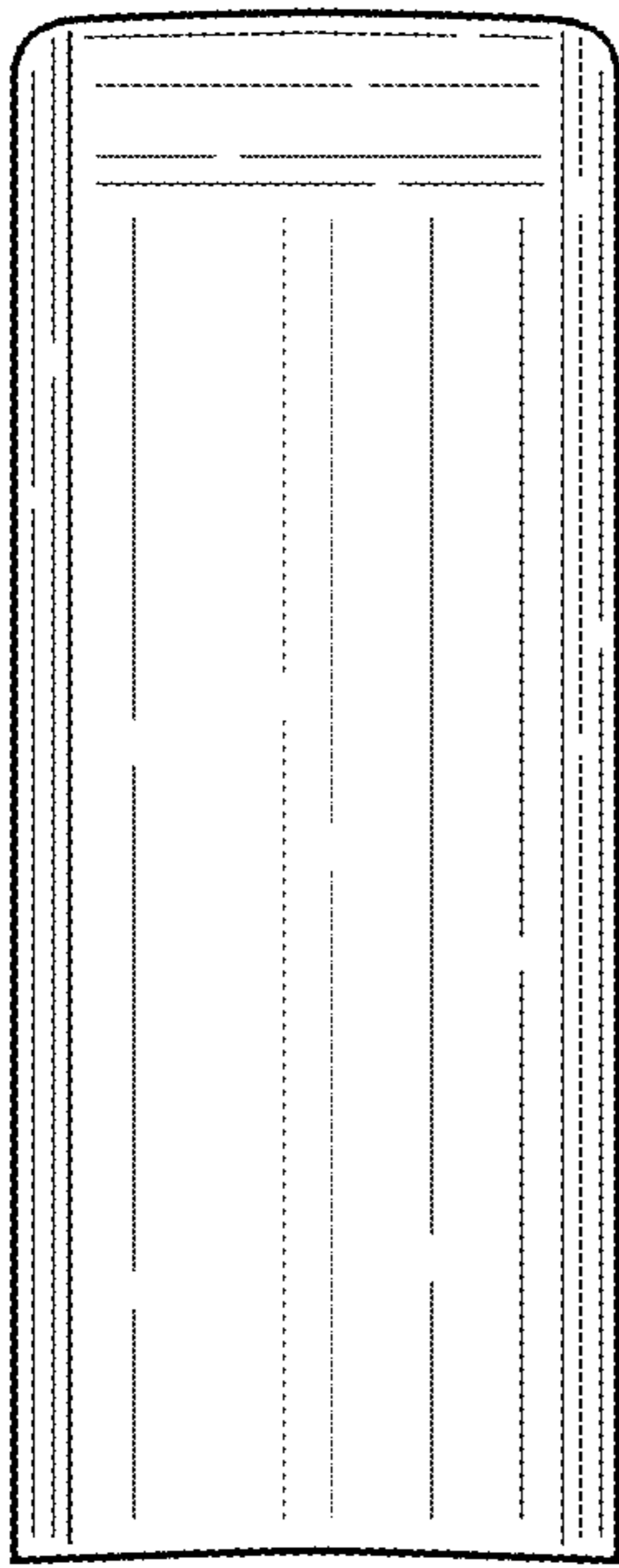


FIG. 6

FIG. 7

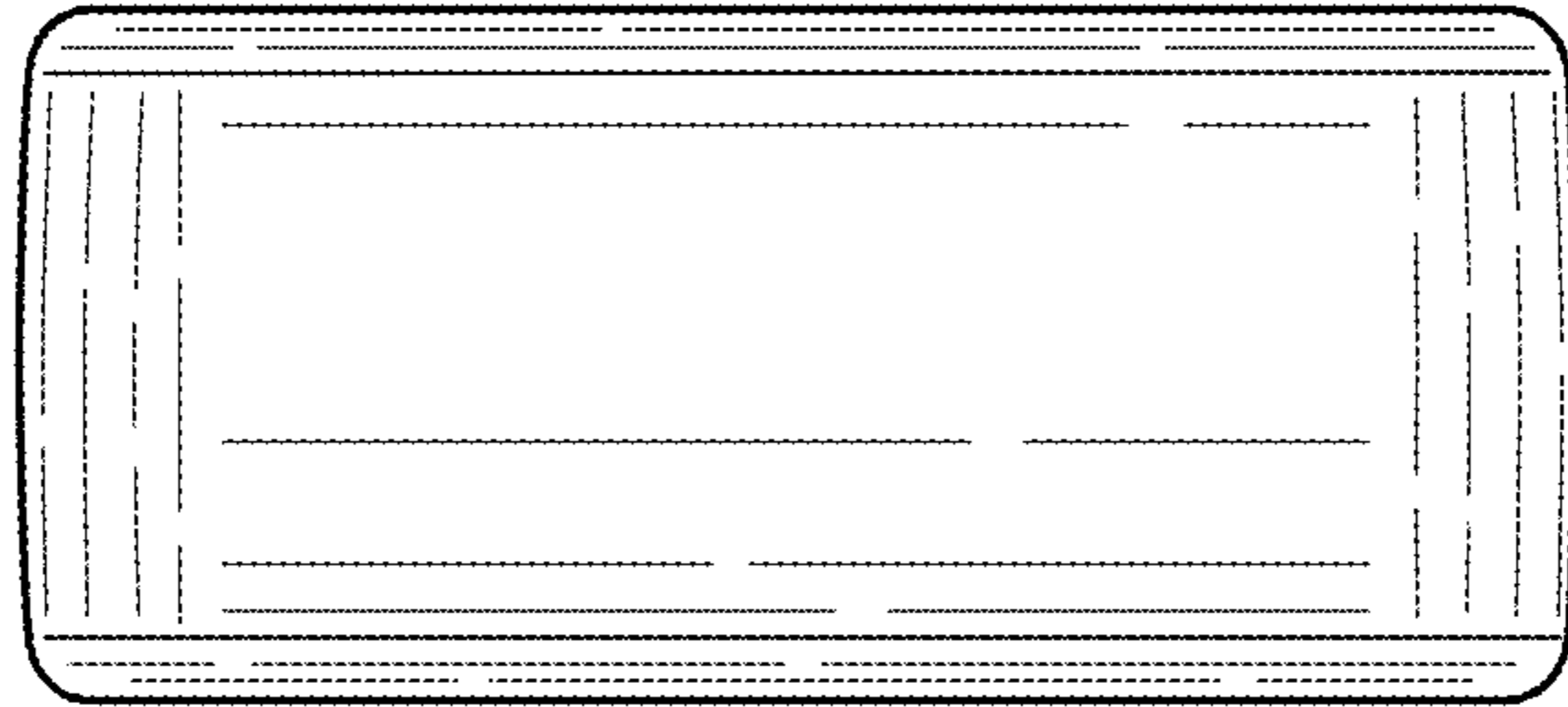


FIG. 8



FIG. 9

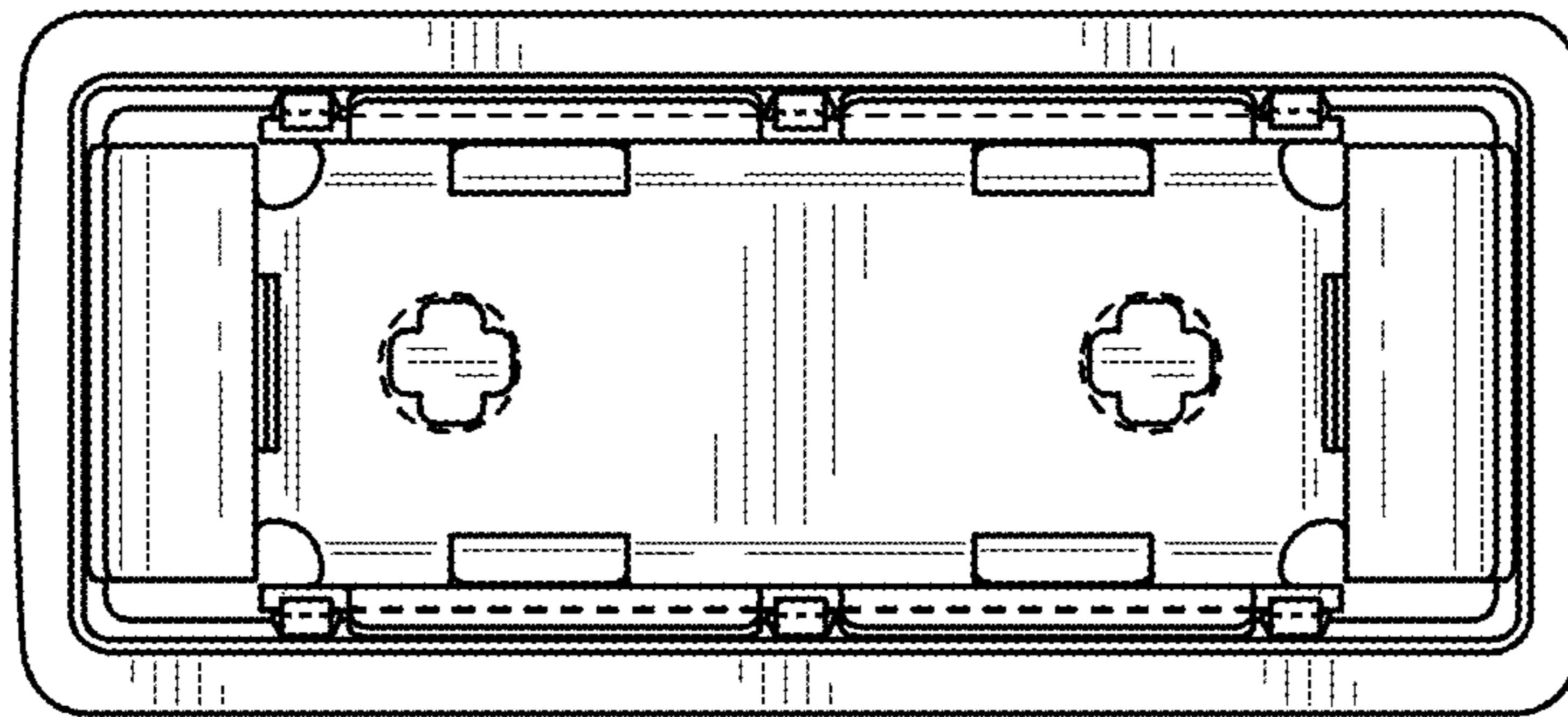


FIG. 10