



US00D901762S

(12) **United States Design Patent** (10) **Patent No.:** **US D901,762 S**  
**Guo** (45) **Date of Patent:** **\*\* Nov. 10, 2020**

(54) **ELECTRONIC CIGARETTE**  
(71) Applicant: **Shenzhen Greensmoke Technology Co., Ltd**, Shenzhen (CN)  
(72) Inventor: **Lantian Guo**, Shenzhen (CN)  
(\*\*) Term: **15 Years**

(21) Appl. No.: **29/702,859**  
(22) Filed: **Aug. 22, 2019**

(30) **Foreign Application Priority Data**

Apr. 2, 2019 (CN) ..... 2019 3 0145113

(51) **LOC (12) Cl.** ..... **27-02**

(52) **U.S. Cl.**  
USPC ..... **D27/162**

(58) **Field of Classification Search**  
USPC ..... D27/162, 100, 101, 163–165, 172, 174,  
D27/183, 185–194; D24/110, 110.5;  
D10/72  
CPC .... A24F 47/002; A24F 47/006; A24F 47/008;  
A61M 15/00; A61M 15/06; G01B  
3/1005; G01B 3/1007; G01B 2003/1023;  
G01B 2003/103; G01B 2003/1028  
See application file for complete search history.

(56) **References Cited**

**U.S. PATENT DOCUMENTS**

6,804,899 B2 \* 10/2004 Murray ..... G01B 3/1003  
33/755  
D544,643 S \* 6/2007 Lin ..... D27/194

D638,984 S \* 5/2011 Gould ..... D27/163  
D678,604 S \* 3/2013 Coats ..... D27/162  
D680,684 S \* 4/2013 Enshiwat ..... D27/162  
D713,598 S \* 9/2014 Ghiotti ..... D27/186  
D754,918 S \* 4/2016 Jergenson ..... D27/163  
D795,495 S \* 8/2017 Li ..... D27/100  
10,422,617 B1 \* 9/2019 Vitas ..... G01B 3/1003  
2019/0063893 A1 \* 2/2019 Vitas ..... G01B 3/1003

\* cited by examiner

*Primary Examiner* — Marissa J Cash  
*Assistant Examiner* — Rebecca Tsehaye  
(74) *Attorney, Agent, or Firm* — Novoclaims Patent Services LLC; Mei Lin Wong

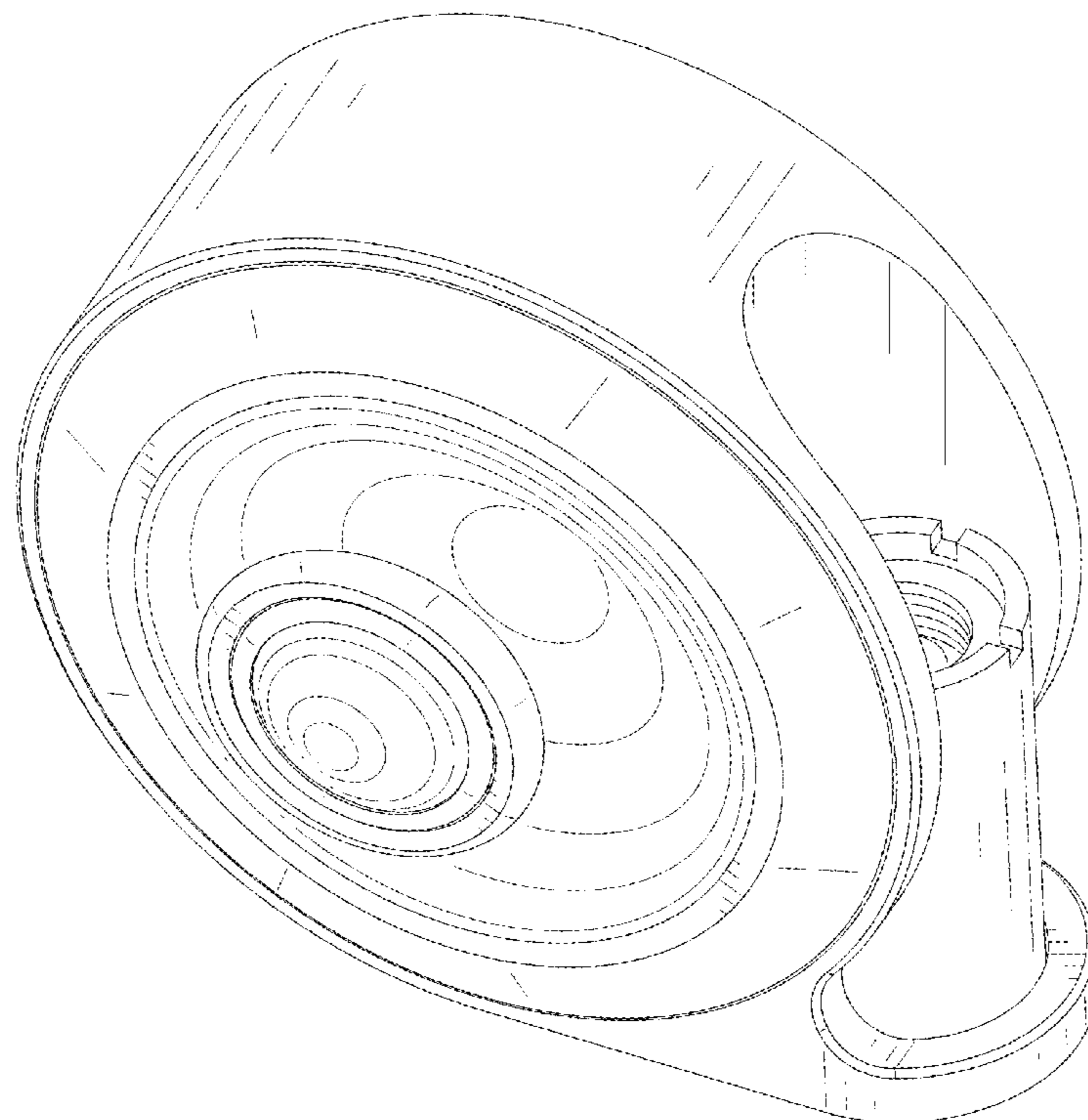
(57) **CLAIM**

The ornamental design for an electronic cigarette, as shown and described.

**DESCRIPTION**

FIG. 1 is a front perspective view of an electronic cigarette, showing my new design;  
FIG. 2 is another perspective view thereof;  
FIG. 3 is a front elevational view thereof;  
FIG. 4 is a rear elevational view thereof;  
FIG. 5 is a left side elevational view thereof;  
FIG. 6 is a right side elevational view thereof;  
FIG. 7 is a top plan view thereof; and,  
FIG. 8 is a bottom plan view thereof.  
The broken lines in the drawings depict portions of the electronic cigarette that form no part of the claimed design.

**1 Claim, 8 Drawing Sheets**



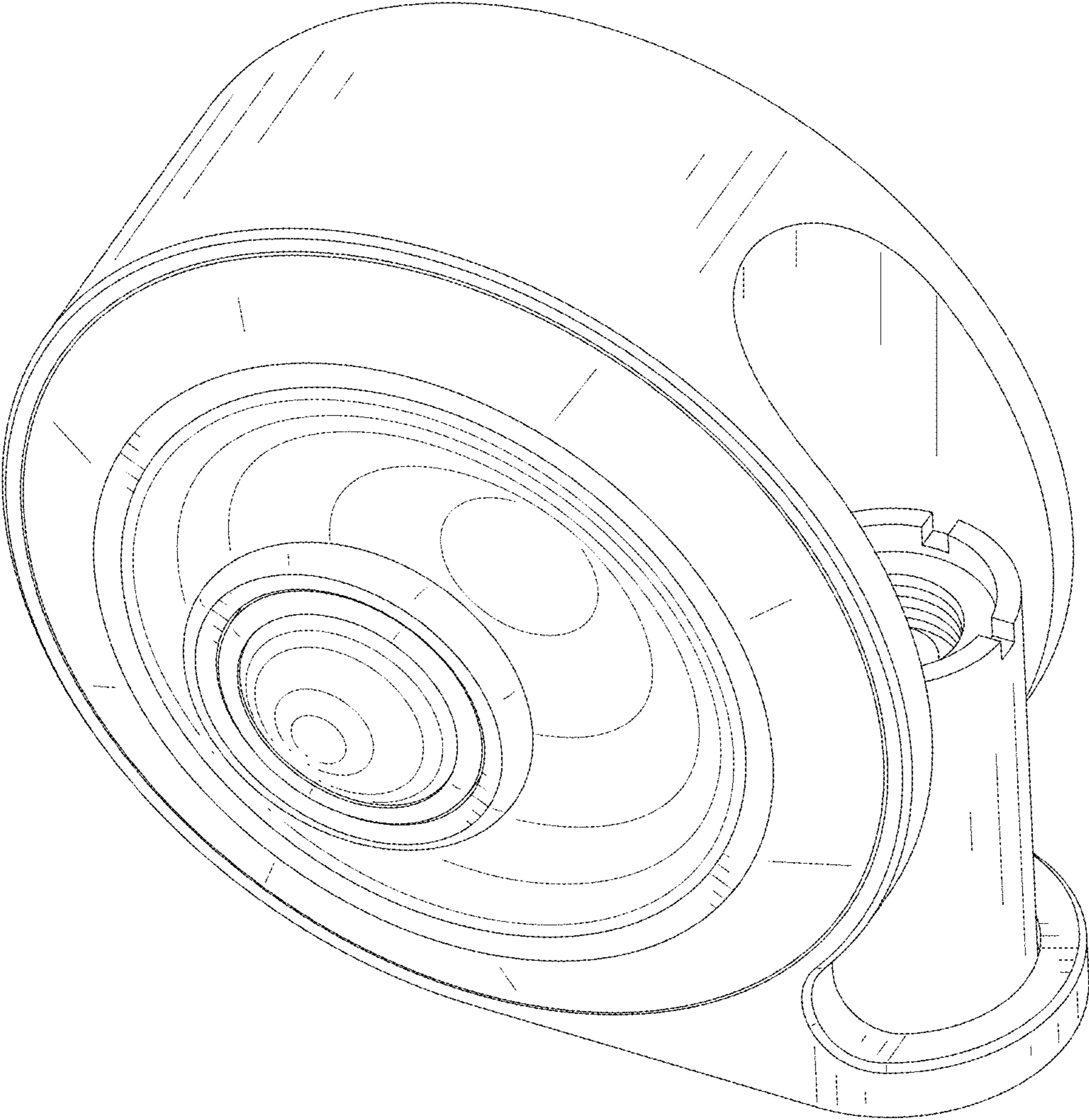


FIG.1

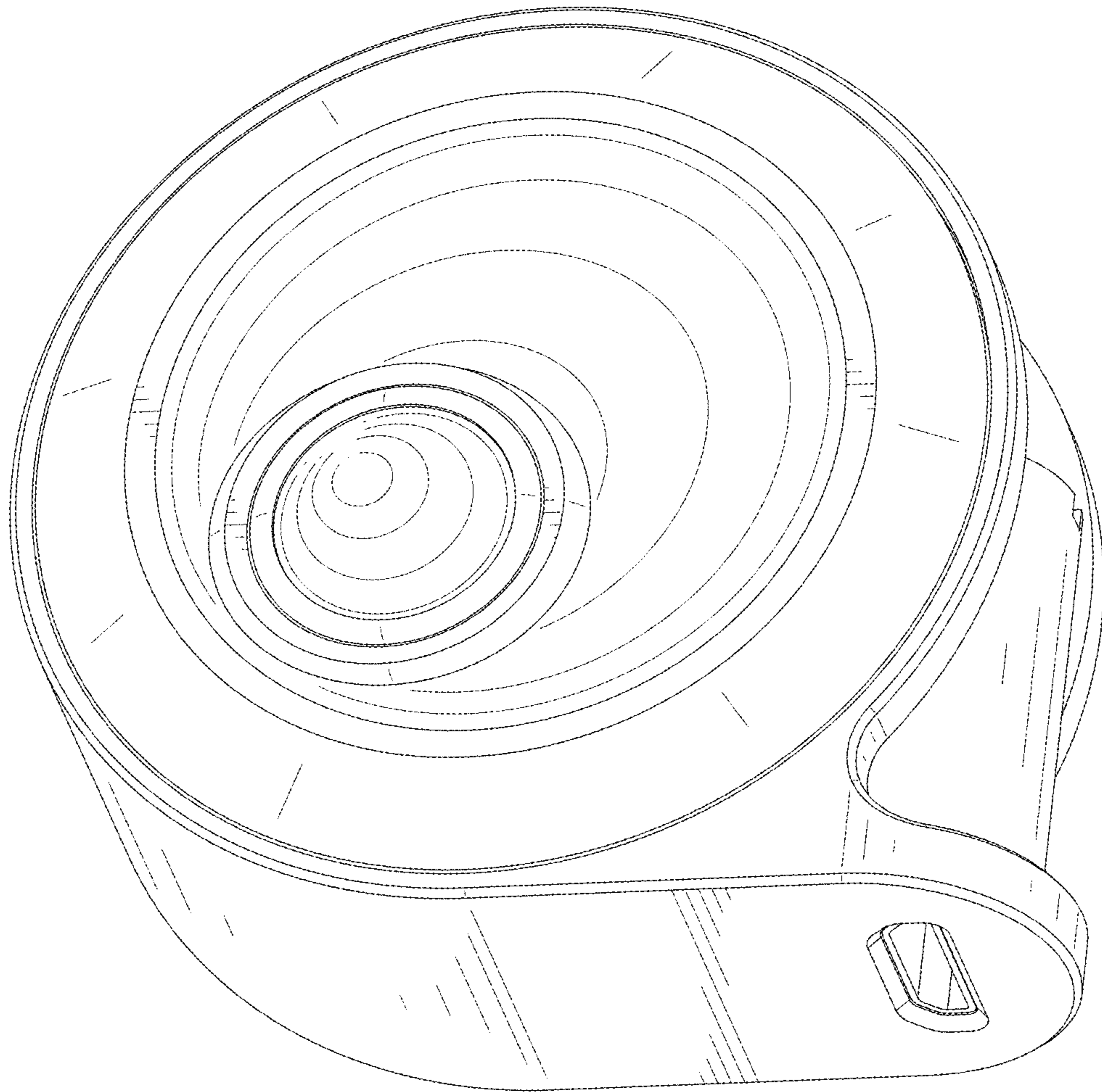


FIG.2



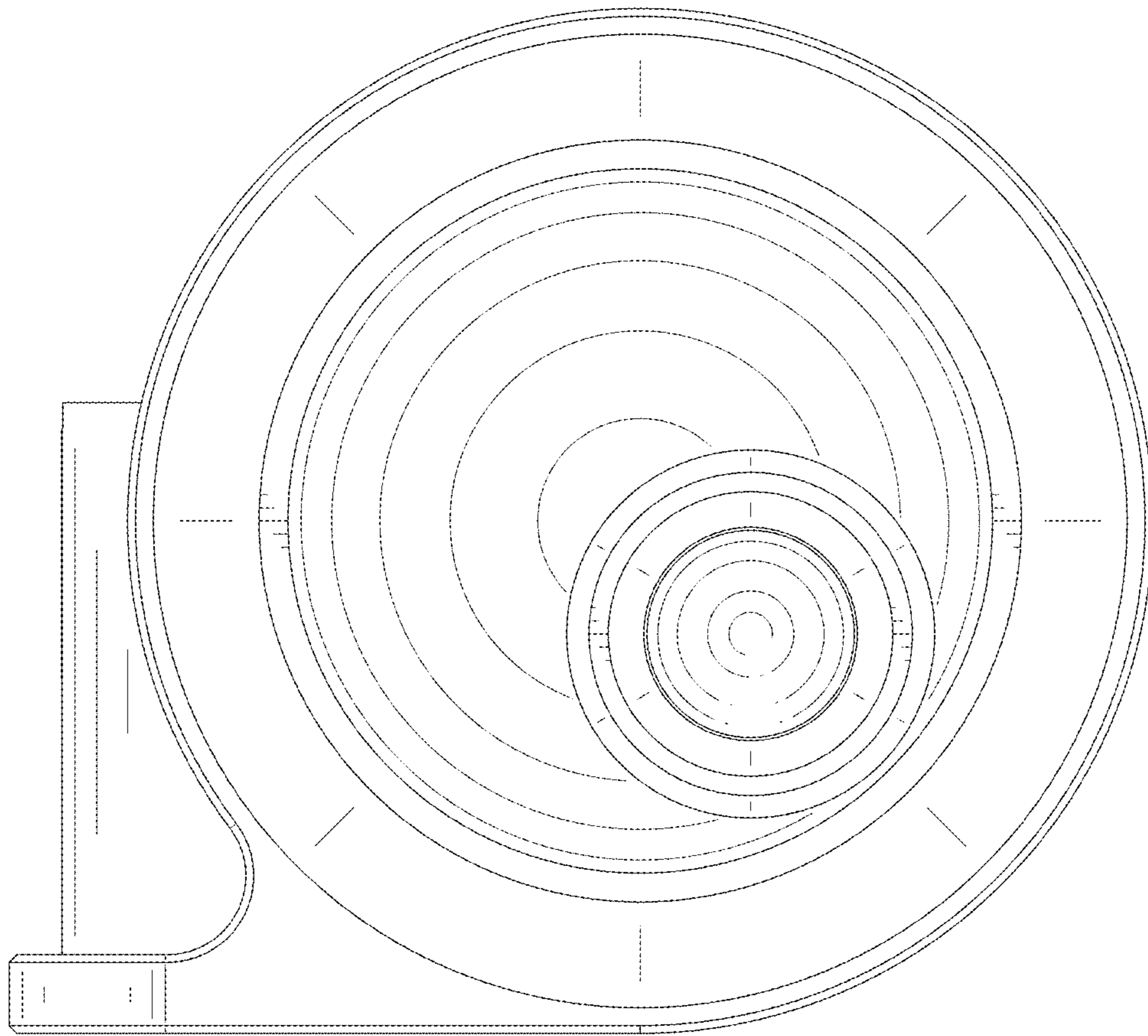


FIG.3

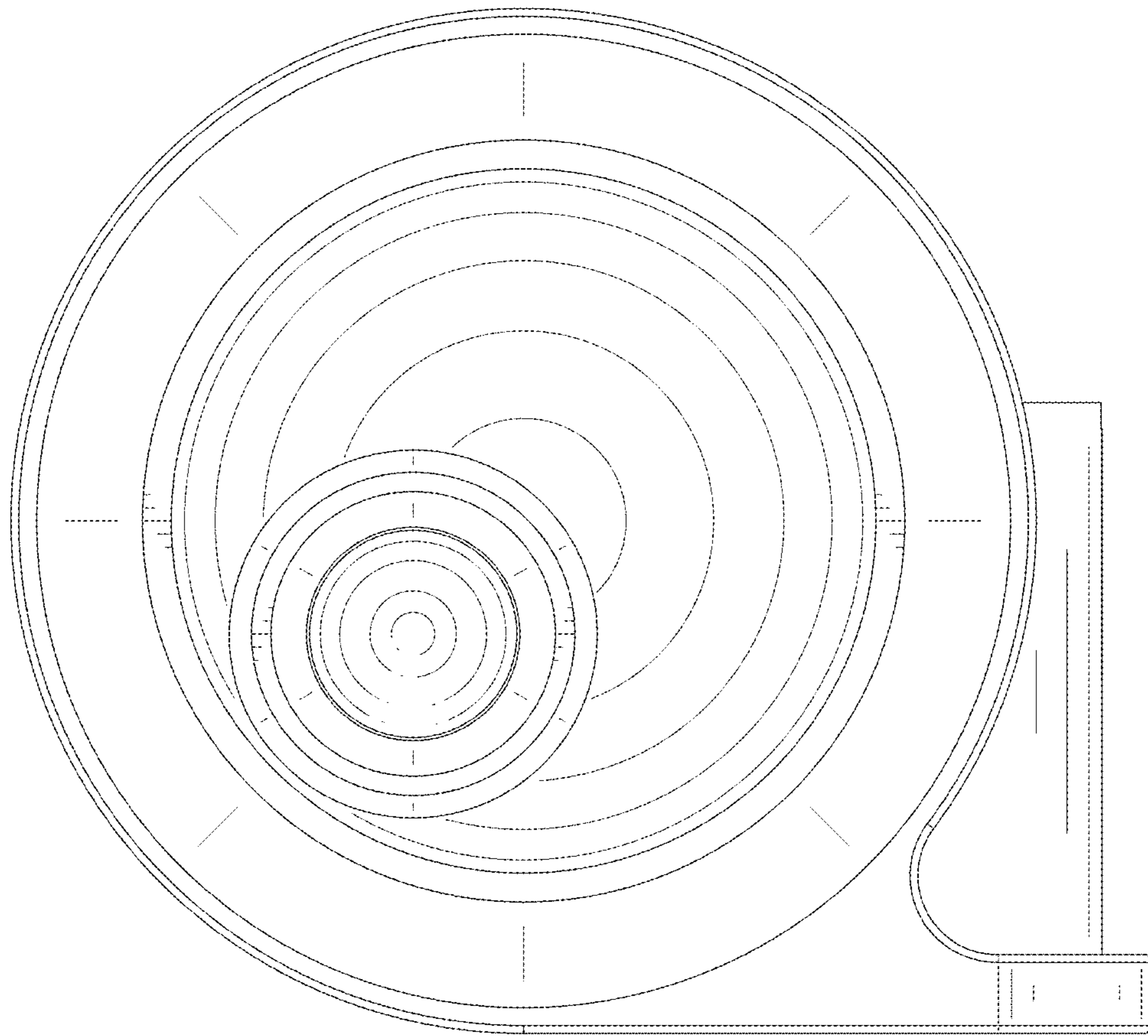


FIG.4

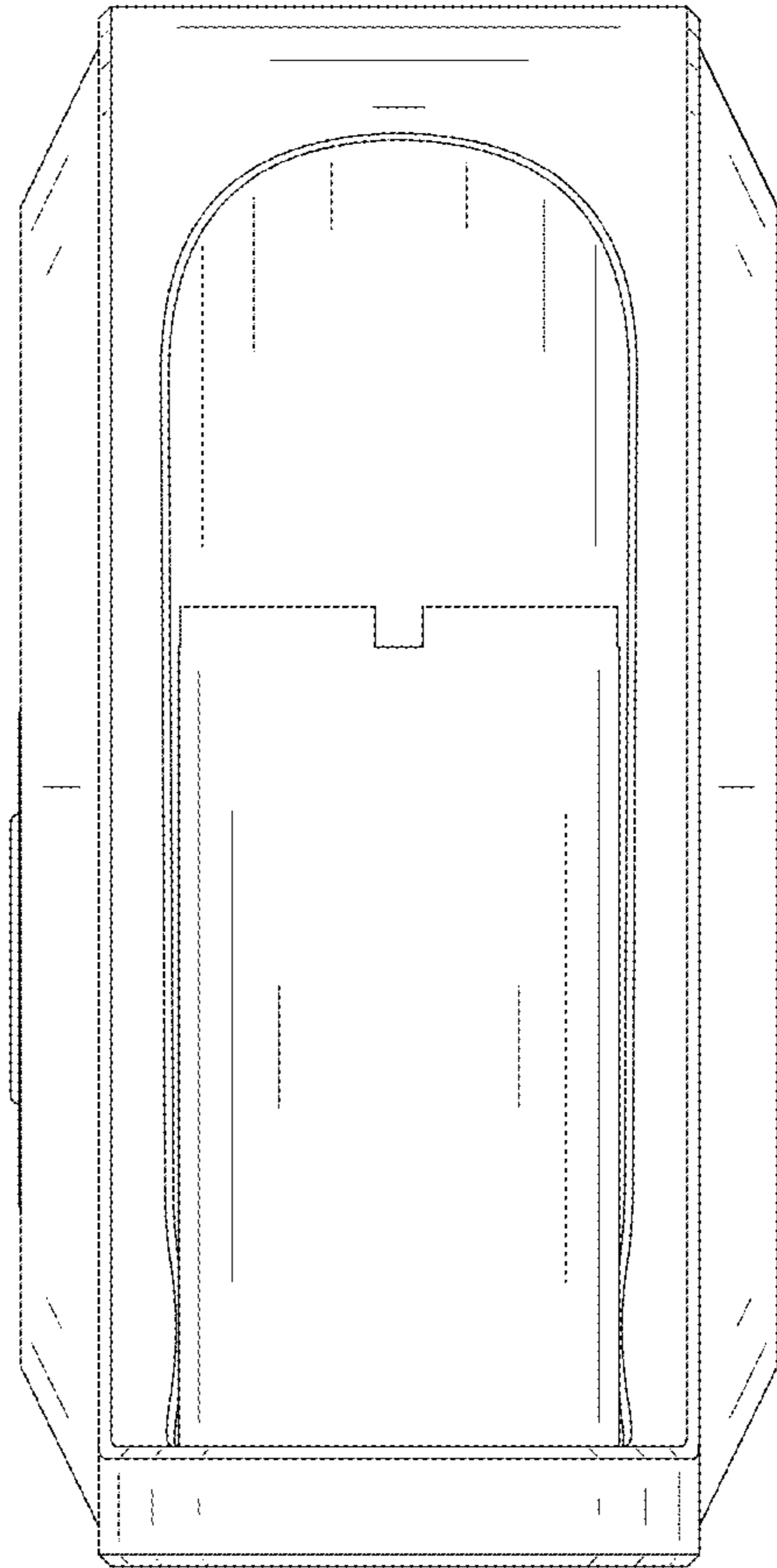


FIG.5

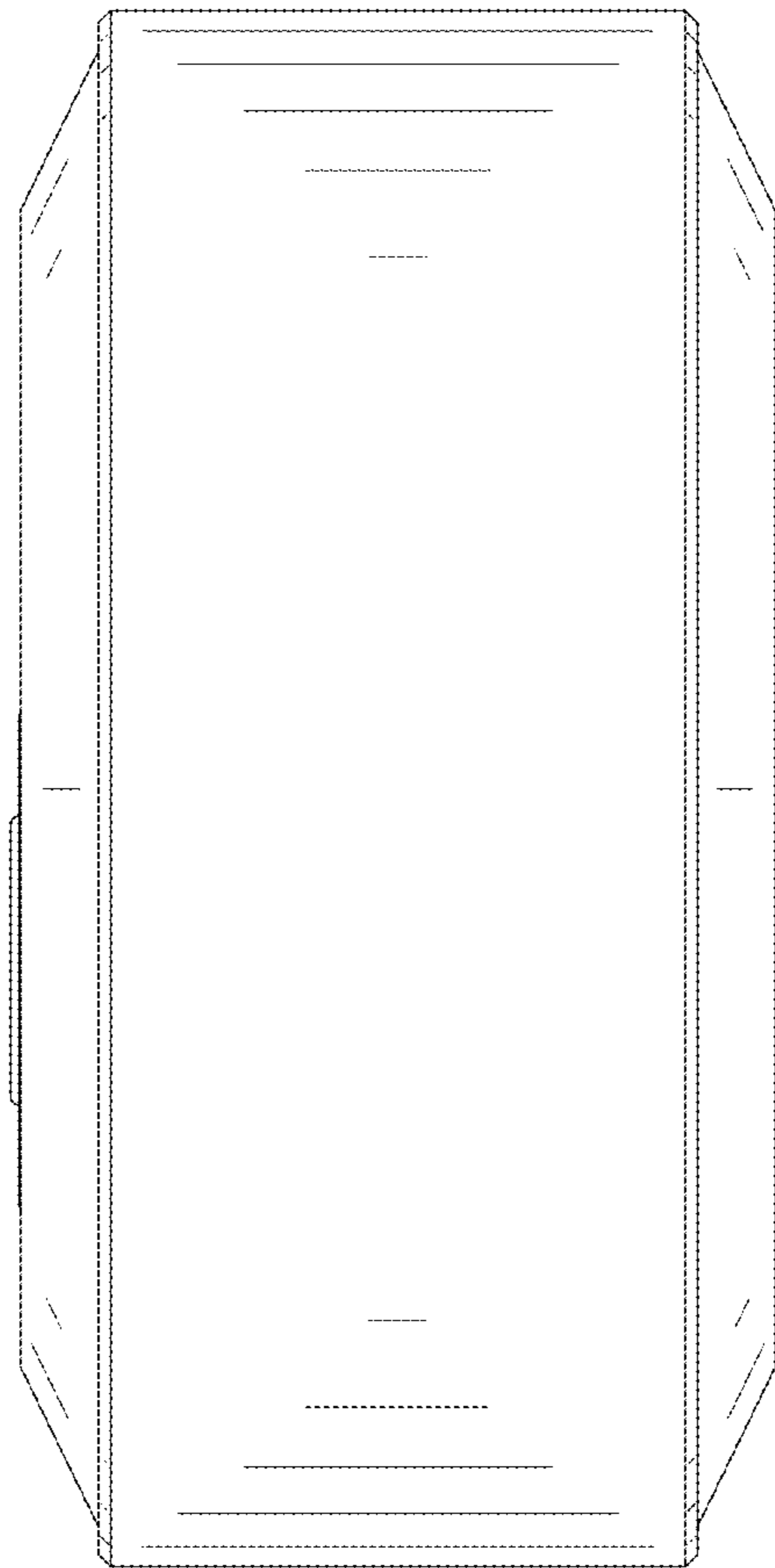


FIG.6

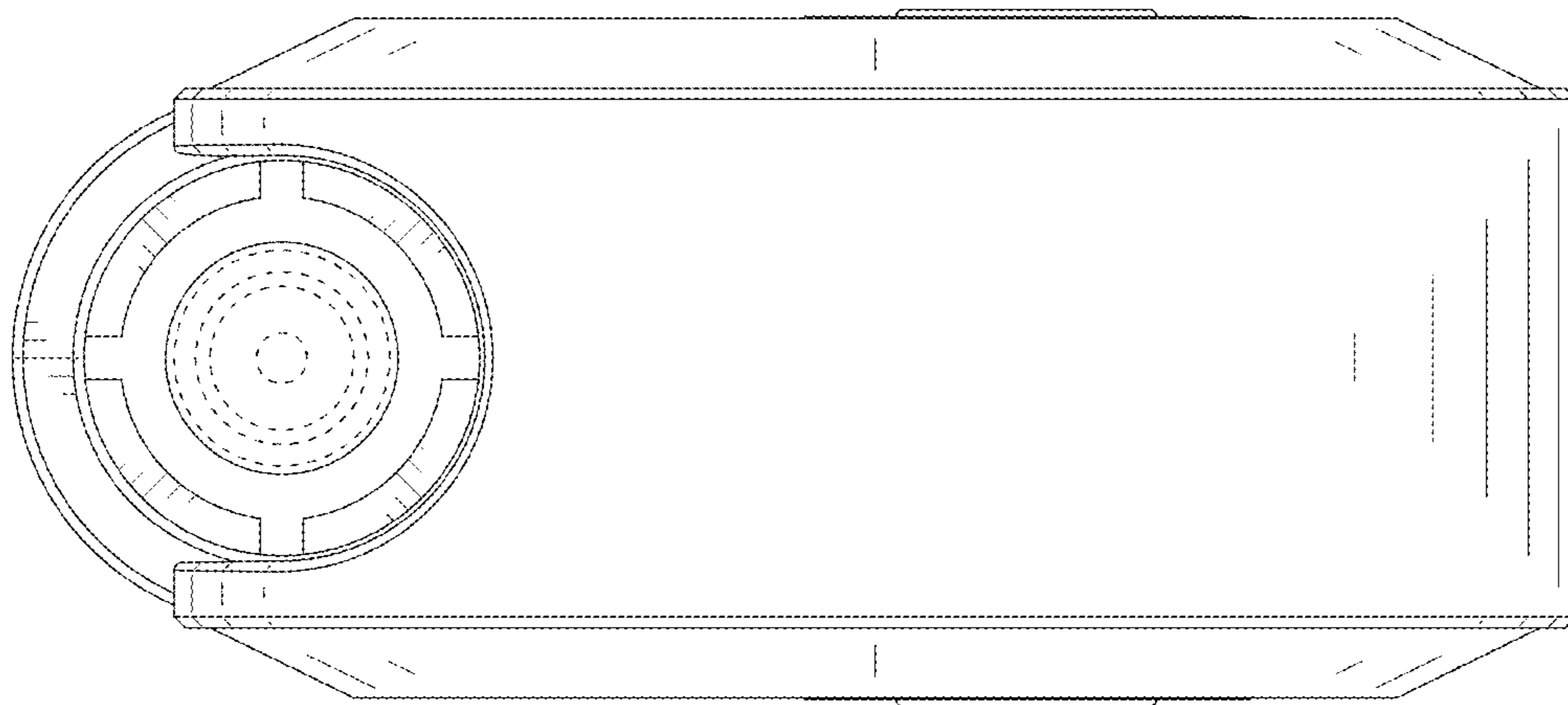


FIG.7



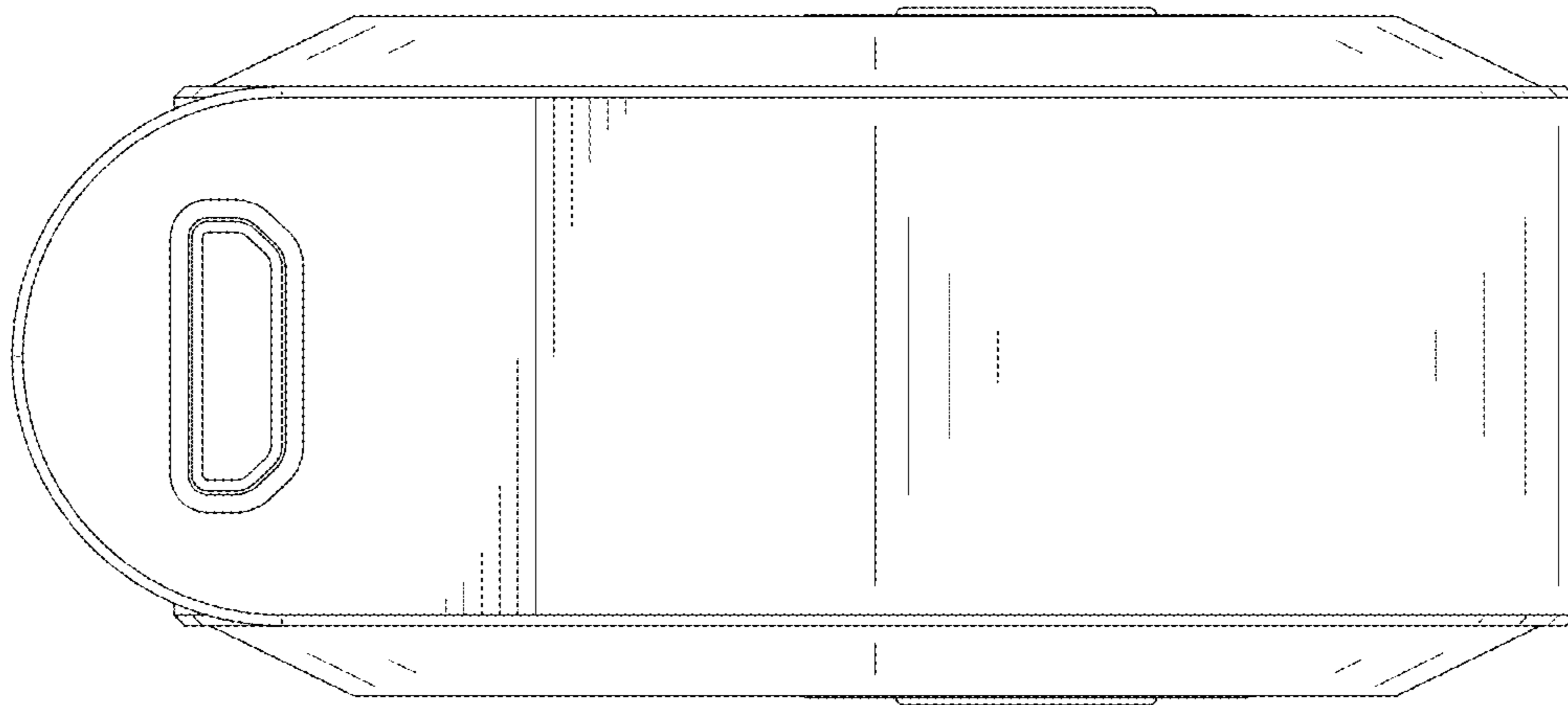


FIG.8