



US00D901760S

(12) **United States Design Patent** (10) **Patent No.:** **US D901,760 S**  
**Fornarelli** (45) **Date of Patent:** **\*\* Nov. 10, 2020**

- (54) **VAPORIZER ASSEMBLY**
- (71) Applicant: **DB INNOVATION INC.**, Chicago, IL (US)
- (72) Inventor: **Thomas Fornarelli**, Chicago, IL (US)
- (73) Assignee: **DB INNOVATION INC.**, Chicago, IL (US)
- (\*\*) Term: **15 Years**
- (21) Appl. No.: **29/669,544**
- (22) Filed: **Nov. 8, 2018**

- D762,003 S \* 7/2016 Lomeli ..... D27/163
- D776,338 S \* 1/2017 Lomeli ..... D27/163
- D808,073 S \* 1/2018 Leidel ..... D27/162
- D816,267 S \* 4/2018 Fornarelli ..... D27/101
- D825,098 S \* 8/2018 Fornarelli ..... D27/101
- D836,831 S \* 12/2018 Cividi ..... D27/162
- D844,226 S \* 3/2019 Fornarelli ..... D27/162

(Continued)

*Primary Examiner* — Marissa J Cash  
*Assistant Examiner* — Rebecca Tsehaye  
(74) *Attorney, Agent, or Firm* — Flener IP & Business Law; Zareefa B. Flener

(57) **CLAIM**

The ornamental design for a vaporizer assembly, as shown and described.

**DESCRIPTION**

FIG. 1 is a top perspective view of a vaporizer assembly showing a first embodiment of my new design; FIG. 2 is a bottom perspective view of the design of FIG. 1; FIG. 3 is front elevation view of the design of FIG. 1; FIG. 4 is a back elevation view of the design of FIG. 1; FIG. 5 is a left side view of the design of FIG. 1; FIG. 6 is a right side view of the design of FIG. 1; FIG. 7 is a top plan view of the design of FIG. 1; and FIG. 8 is a bottom plan view of the design of FIG. 1; FIG. 9 is a top perspective view of a vaporizer assembly showing a second embodiment of my new design; FIG. 10 is a bottom perspective view of the design of FIG. 9; FIG. 11 is front elevation view of the design of FIG. 9; FIG. 12 is a back elevation view of the design of FIG. 9; FIG. 13 is a left side view of the design of FIG. 9; FIG. 14 is a right side view of the design of FIG. 9; FIG. 15 is a top plan view of the design of FIG. 9; and, FIG. 16 is a bottom plan view of the design of FIG. 9. The broken lines in the drawings depict portions of the vaporizer assembly that form no part of the claim.

**Related U.S. Application Data**

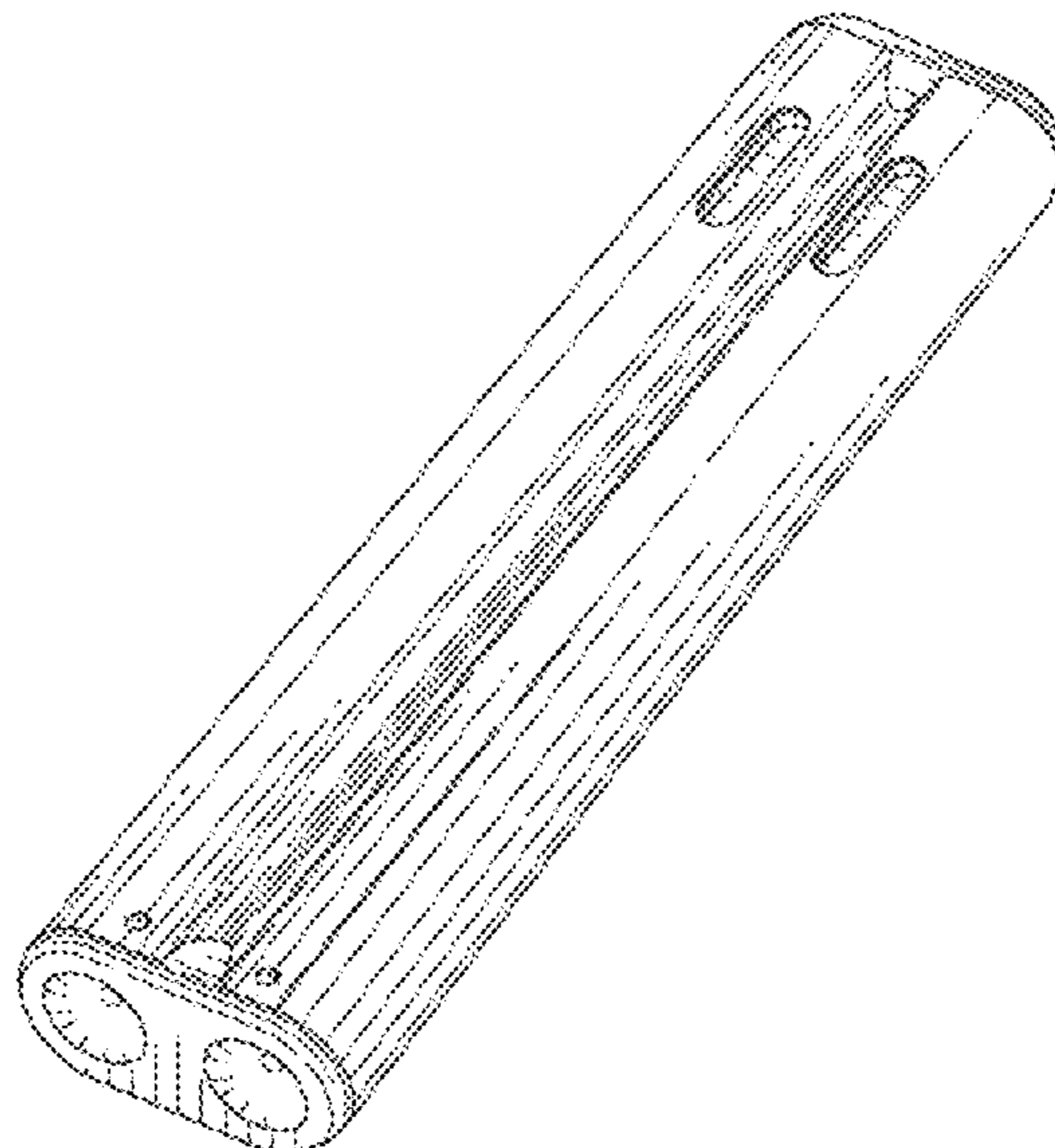
- (63) Continuation-in-part of application No. 29/594,494, filed on Feb. 18, 2017, now Pat. No. Des. 876,007, and a continuation-in-part of application No. 29/599,559, filed on Apr. 4, 2017, now Pat. No. Des. 844,226.
- (51) **LOC (12) Cl.** ..... **27-02**
- (52) **U.S. Cl.**  
USPC ..... **D27/162**
- (58) **Field of Classification Search**  
USPC ..... D27/162, 100, 101, 163–165, 172, 174, D27/183, 185–194; D23/366; D24/110, D24/110.5; 128/202.21, 203.12; 131/270, 273, 274, 191, 329, 330, 131/360–365  
CPC .... A24F 47/002; A24F 47/004; A24F 47/006; A24F 47/008; A61M 15/00; A61M 15/06  
See application file for complete search history.

(56) **References Cited**

**U.S. PATENT DOCUMENTS**

- D645,817 S \* 9/2011 Sasada ..... D13/108
- D750,320 S \* 2/2016 Verleur ..... A24F 47/008  
D27/101

**1 Claim, 12 Drawing Sheets**



(56)

**References Cited**

U.S. PATENT DOCUMENTS

D844,229 S	*	3/2019	Sherwood .....	D27/162
D854,741 S	*	7/2019	Smith .....	D27/162
D864,474 S	*	10/2019	Smith .....	D27/162
D866,852 S	*	11/2019	Cividi .....	D27/101
D875,304 S	*	2/2020	Fornarelli .....	D27/162

\* cited by examiner

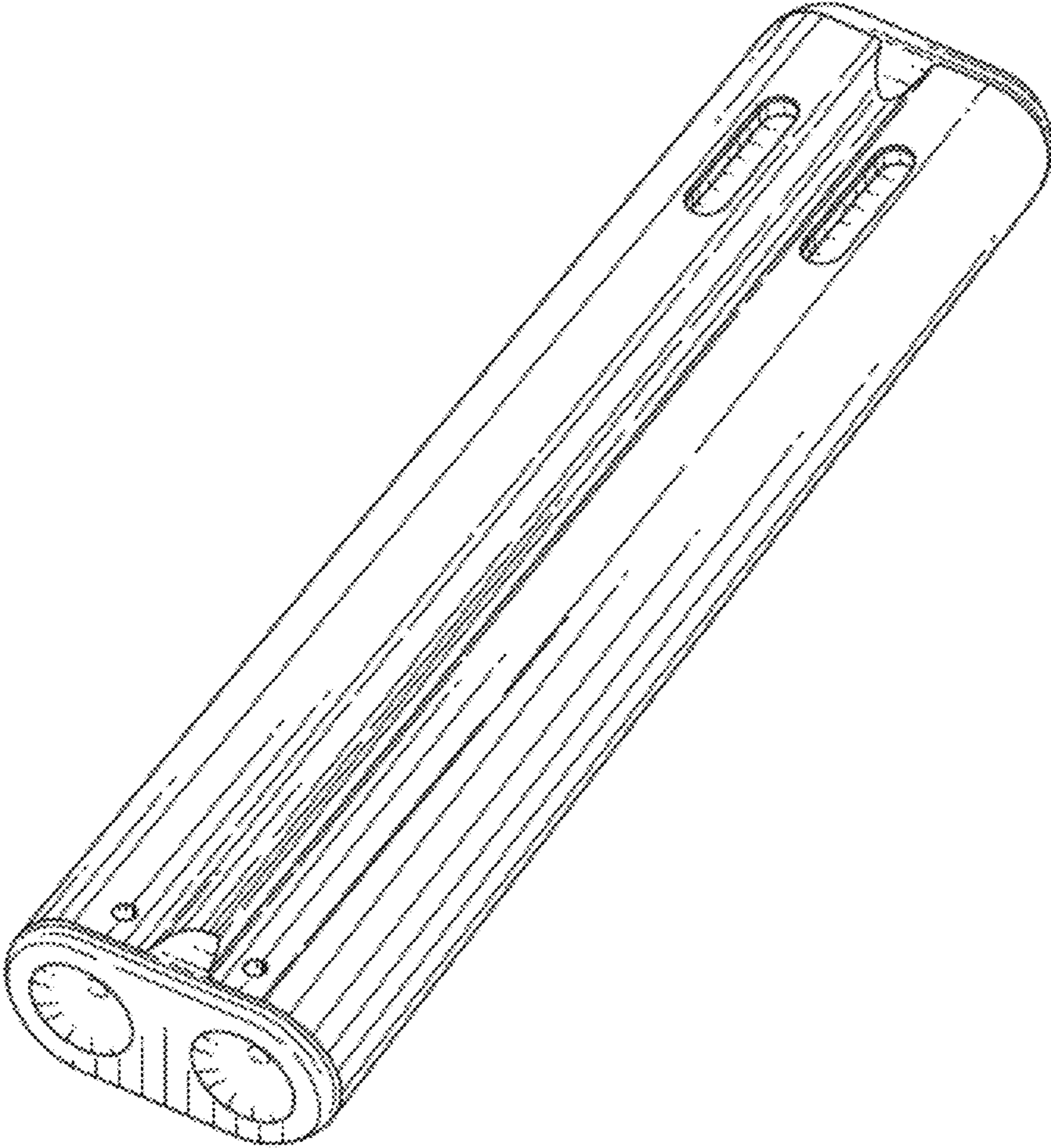


Figure 1

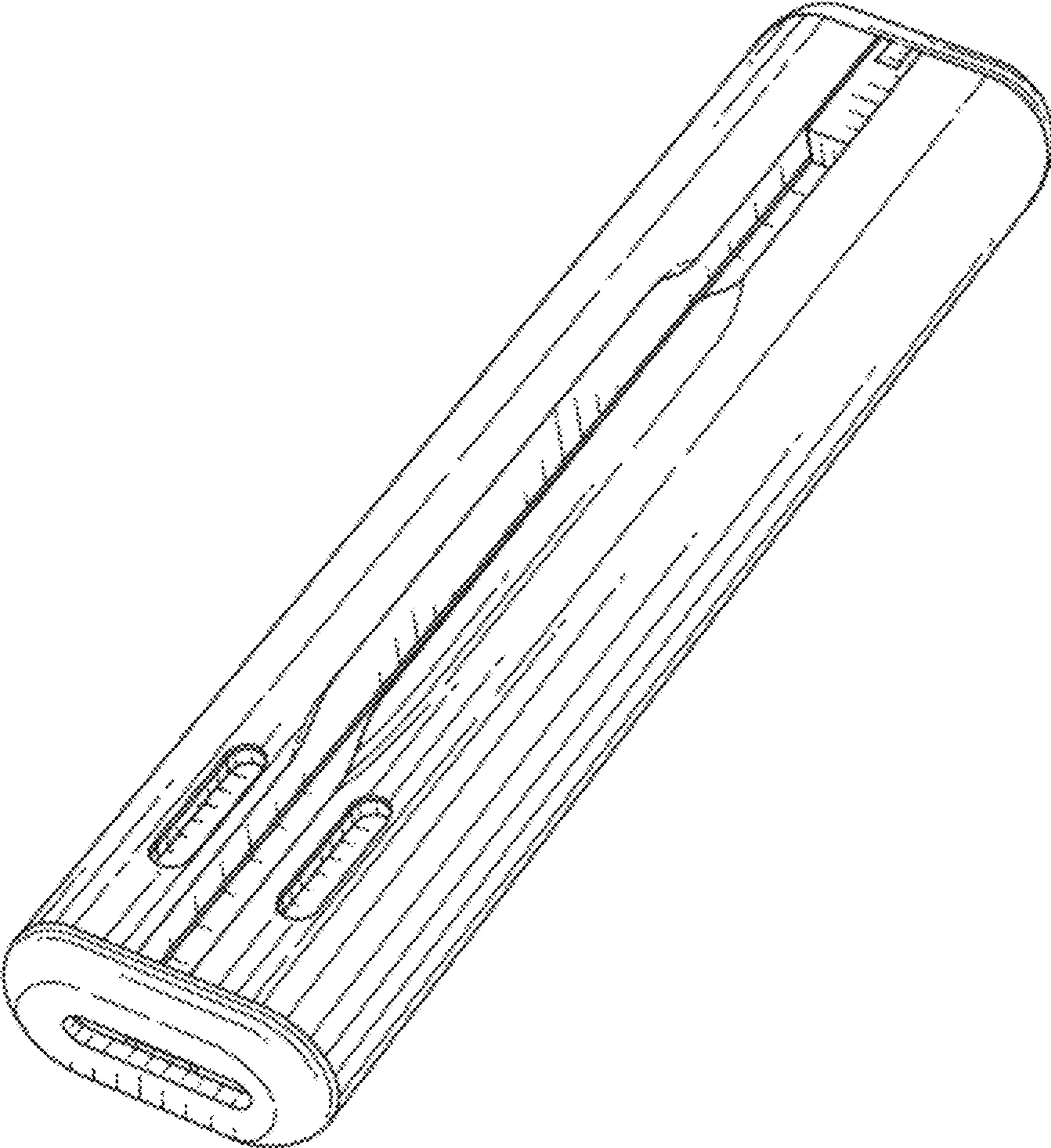


Figure 2

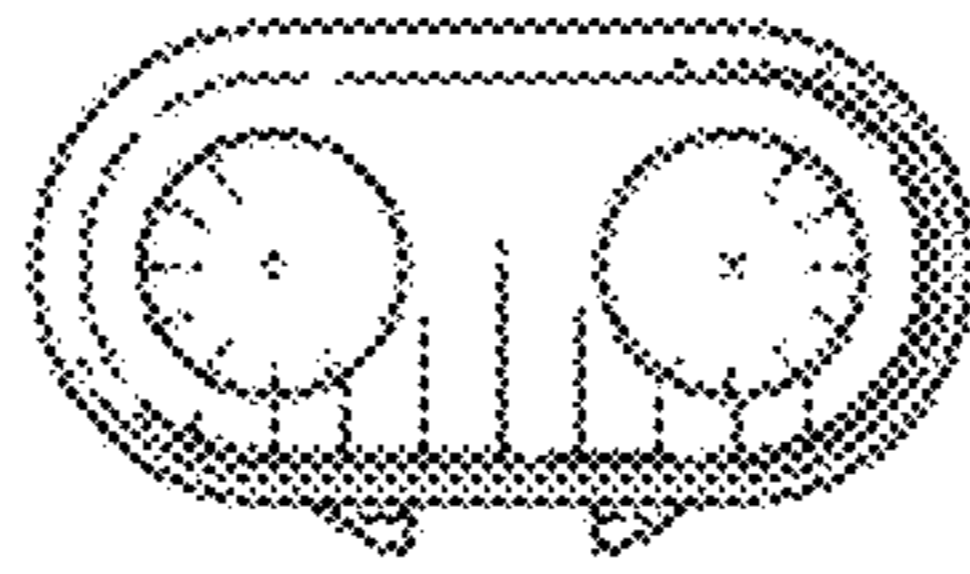


Figure 3

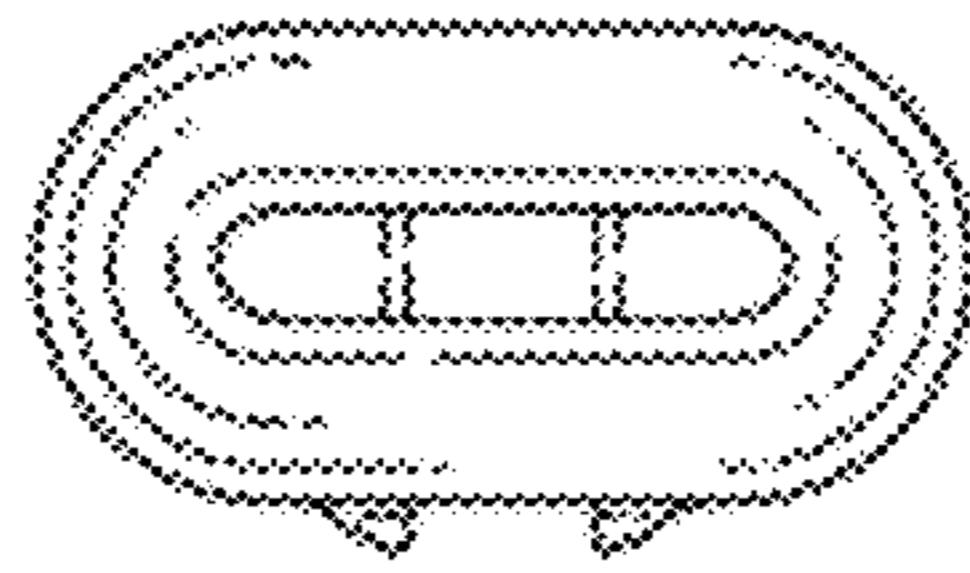


Figure 4

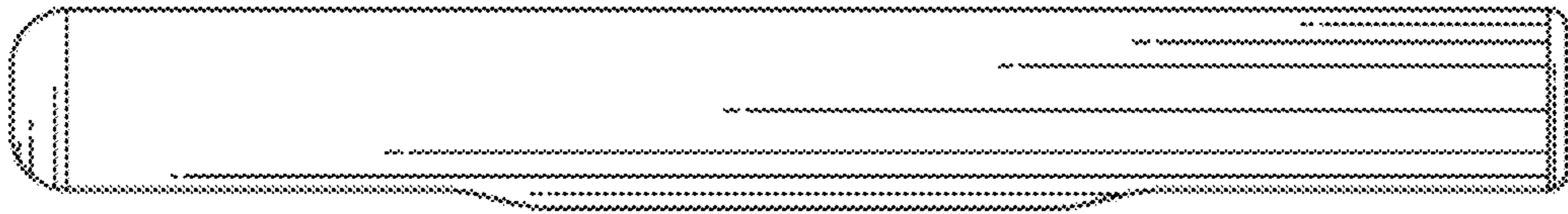


Figure 5

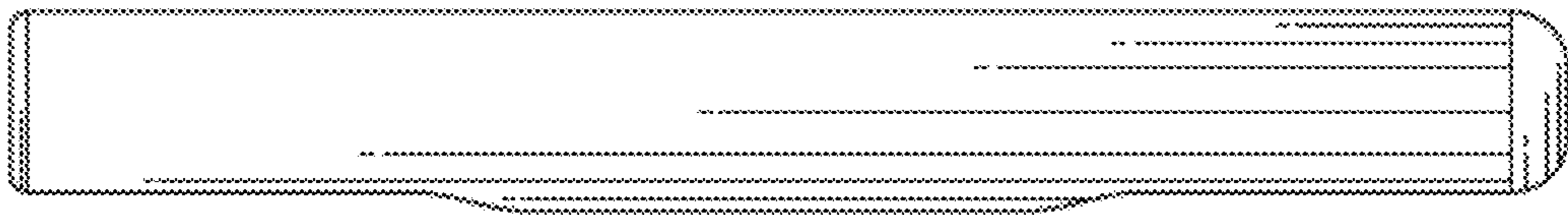


Figure 6

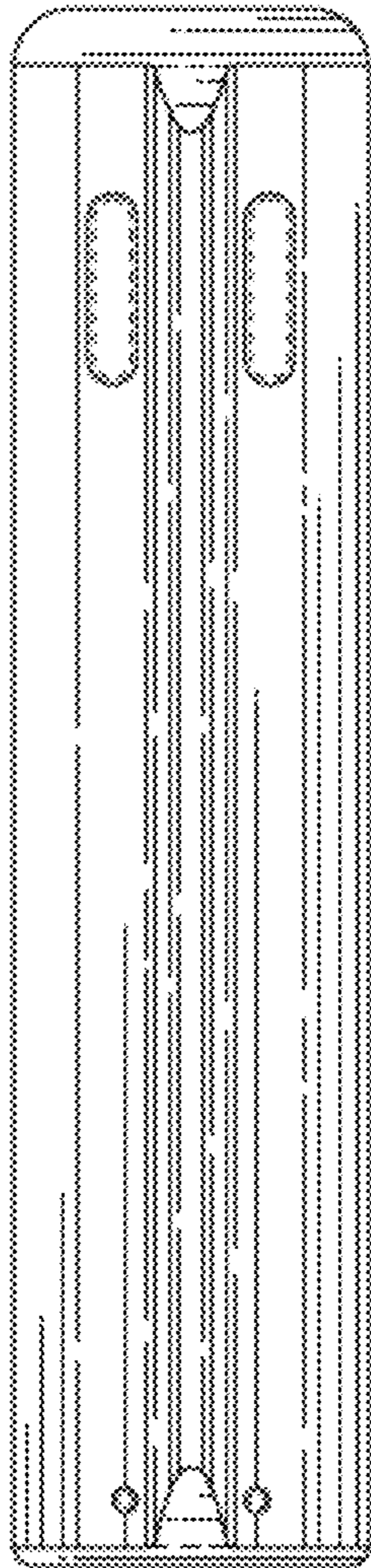


Figure 7

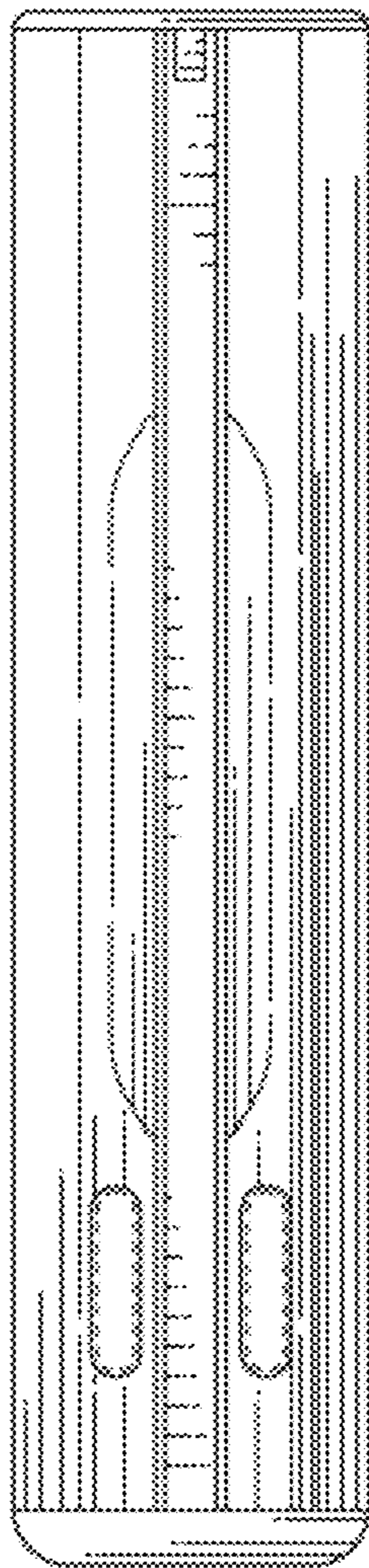


Figure 8



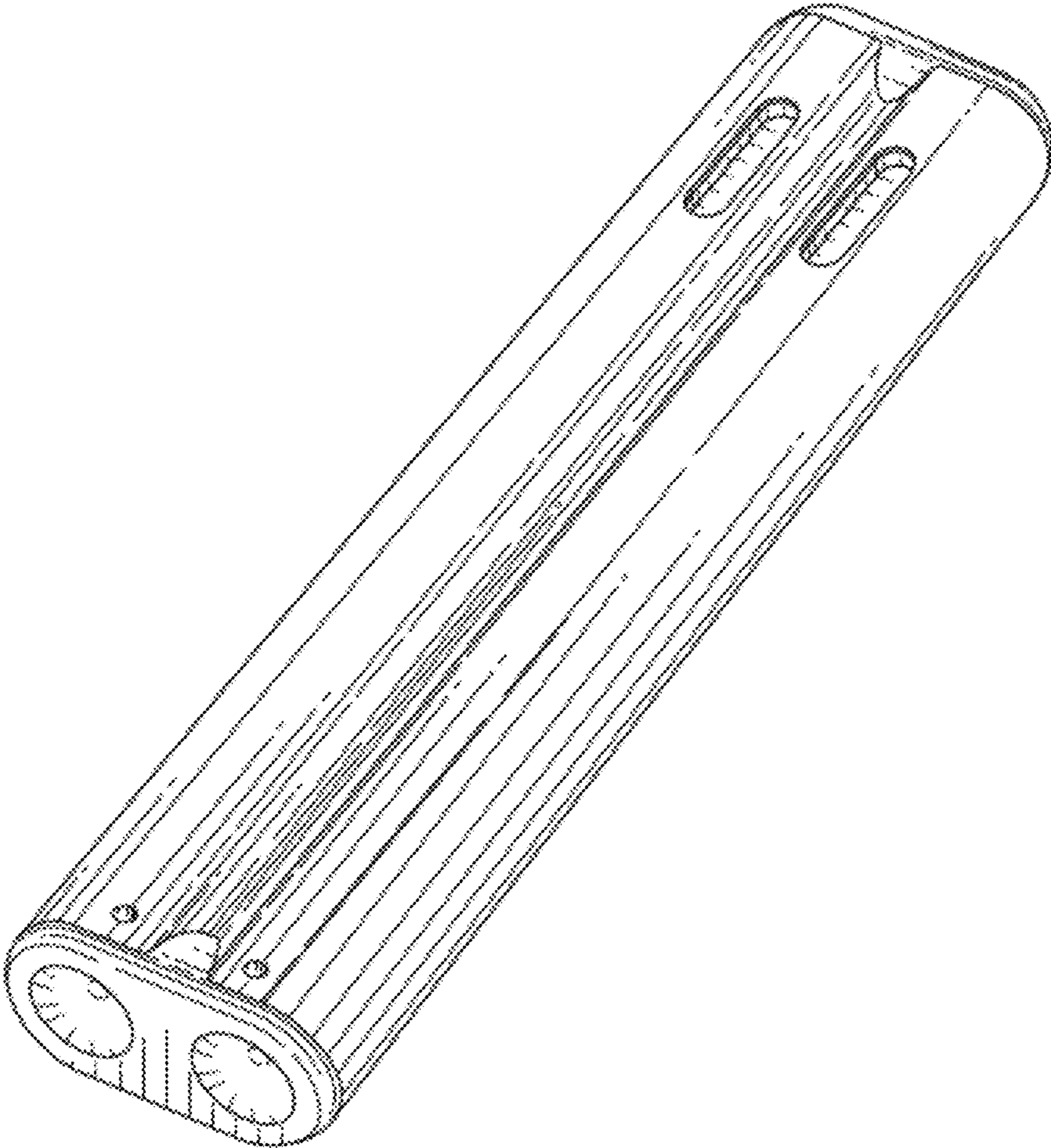


Figure 9

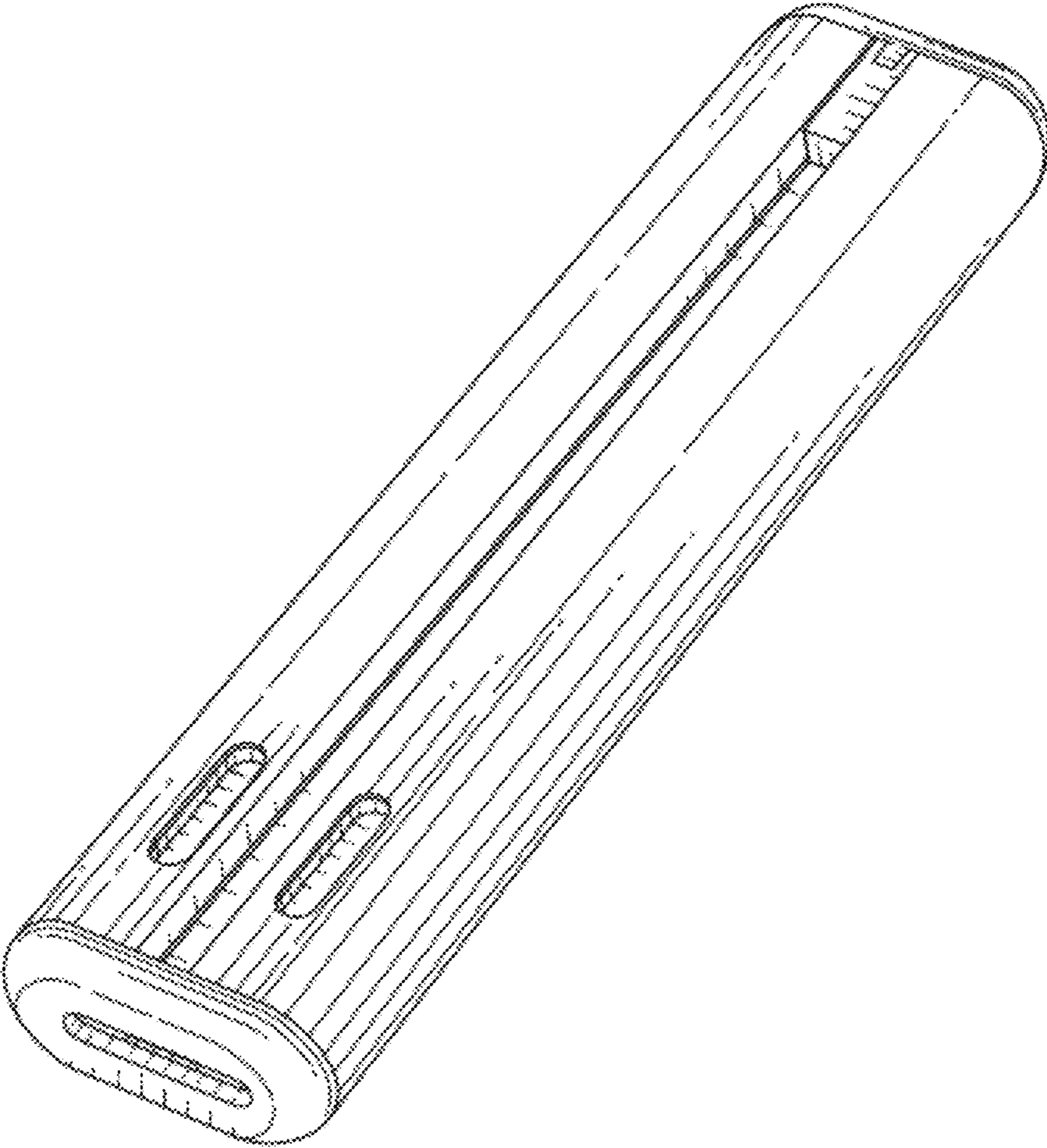


Figure 10

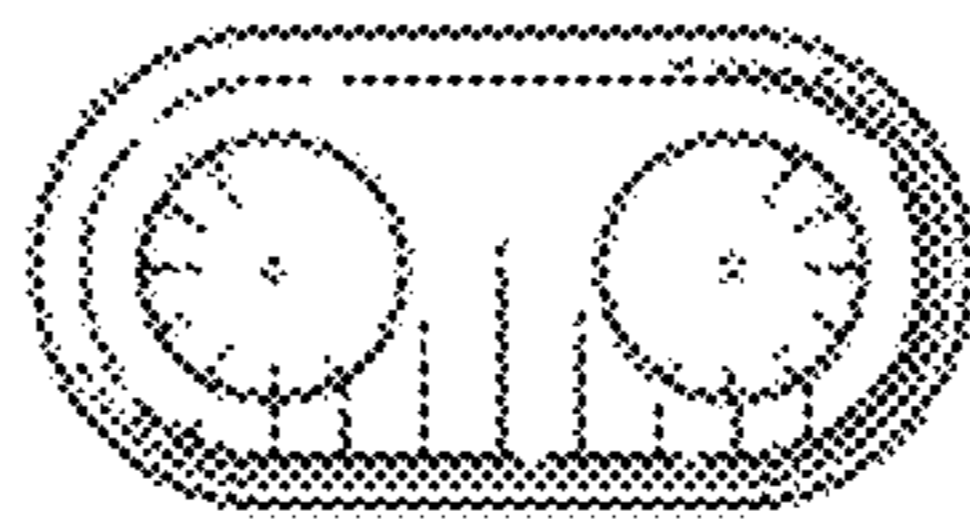


Figure 11

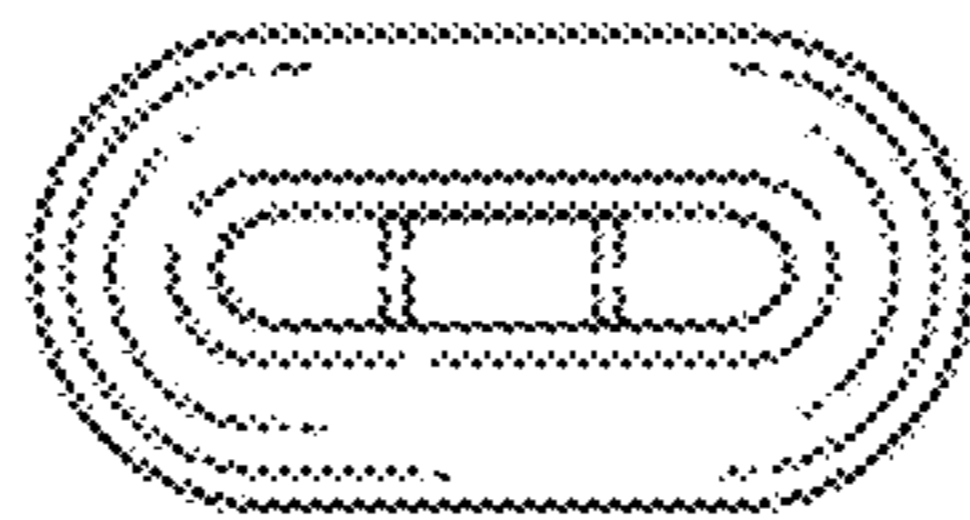


Figure 12

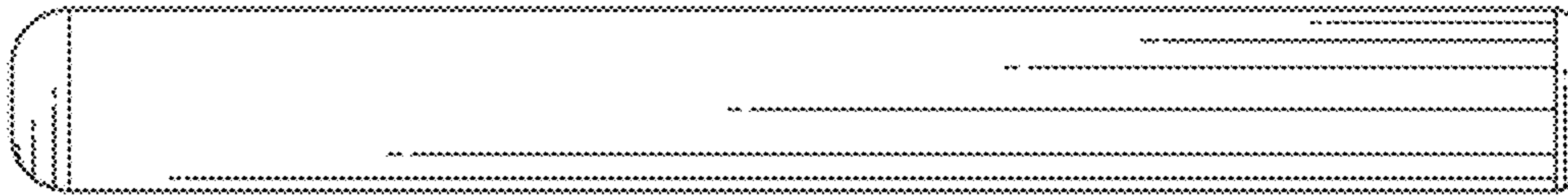


Figure 13

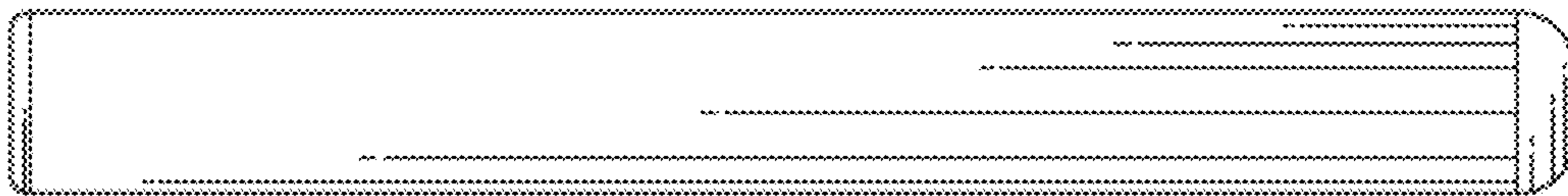


Figure 14

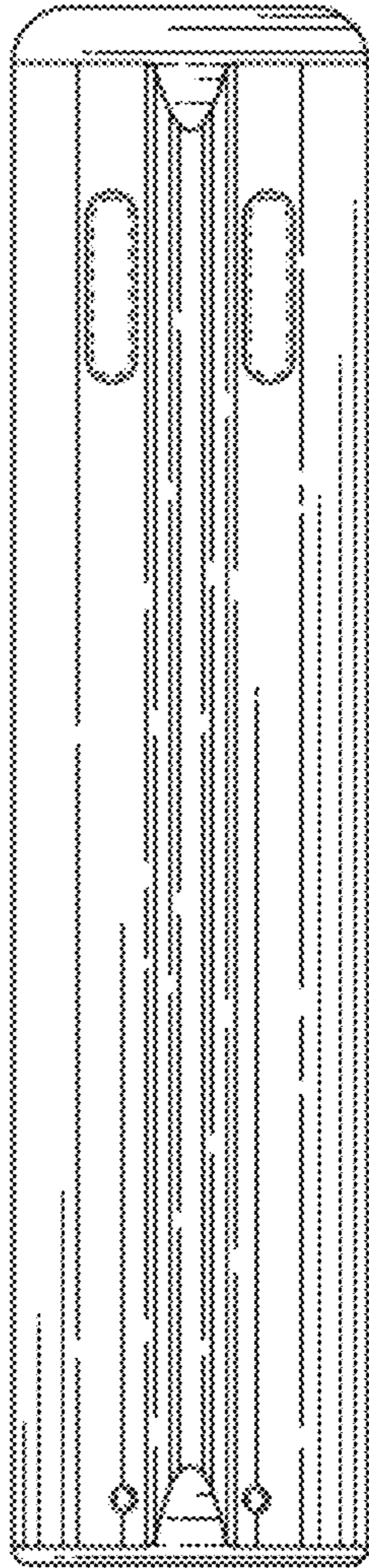


Figure 15

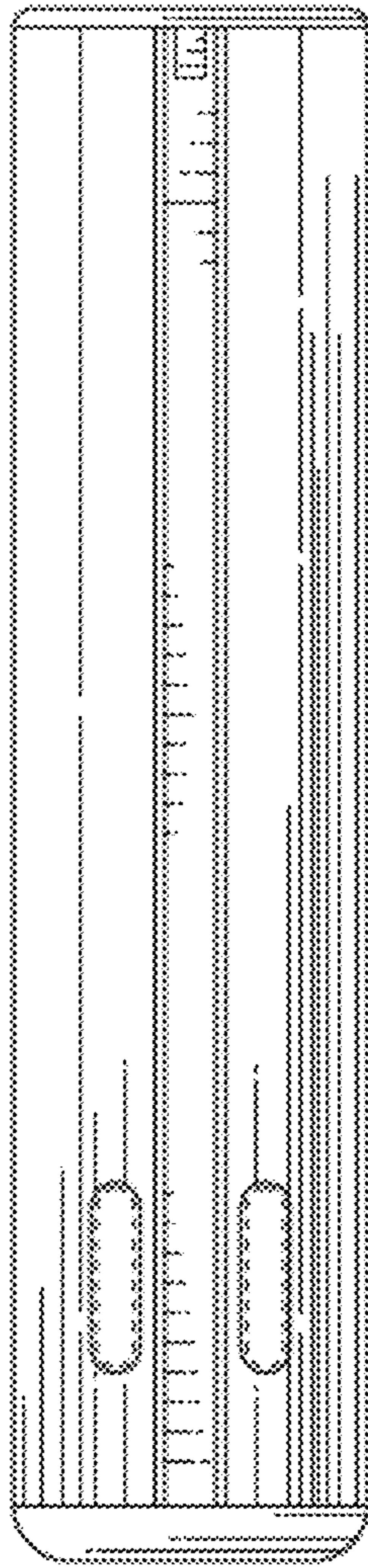


Figure 16