



US00D901758S

(12) **United States Design Patent** (10) **Patent No.:** **US D901,758 S**  
**Stone** (45) **Date of Patent:** **\*\* Nov. 10, 2020**

(54) **ELECTRONIC CIGARETTE**  
(71) Applicant: **Altria Client Services LLC**,  
Richmond, VA (US)  
(72) Inventor: **Mitchell Stone**, Staffordshire (GB)  
(73) Assignee: **Altria Client Services LLC**,  
Richmond, VA (US)  
(\*\*) Term: **15 Years**  
(21) Appl. No.: **29/710,943**  
(22) Filed: **Oct. 28, 2019**

**Related U.S. Application Data**

(62) Division of application No. 29/662,843, filed on Sep. 10, 2018, now Pat. No. Des. 868,360, which is a  
(Continued)

**Foreign Application Priority Data**

(30) Jul. 31, 2016 (EM) ..... 003325349-0001  
Jul. 31, 2016 (EM) ..... 003325349-0002  
Jul. 31, 2016 (EM) ..... 003325349-0003  
Jul. 31, 2016 (EM) ..... 003325349-0004  
Jul. 31, 2016 (EM) ..... 003325349-0005  
Jul. 31, 2016 (EM) ..... 003325349-0006  
Jul. 31, 2016 (EM) ..... 003325349-0007  
Jul. 31, 2016 (EM) ..... 003325349-0008  
Aug. 12, 2016 (EM) ..... 003339829-0001  
(Continued)

(51) **LOC (12) Cl.** ..... **12-01**  
(52) **U.S. Cl.**  
USPC ..... **D27/101**  
(58) **Field of Classification Search**  
USPC ..... D27/100, 101, 162-196; D8/499;  
D23/366

(Continued)

(56) **References Cited**

U.S. PATENT DOCUMENTS

D142,842 S 11/1945 Daze  
D167,230 S 7/1952 Rehfeld  
(Continued)

FOREIGN PATENT DOCUMENTS

CN 303162041 S 4/2015  
CN 303482767 S 12/2015  
(Continued)

OTHER PUBLICATIONS

Notice of Allowance dated Nov. 19, 2019, issued in corresponding U.S. Appl. No. 29/662,845.

(Continued)

*Primary Examiner* — Marissa J Cash  
(74) *Attorney, Agent, or Firm* — Harness, Dickey & Pierce, P.L.C.

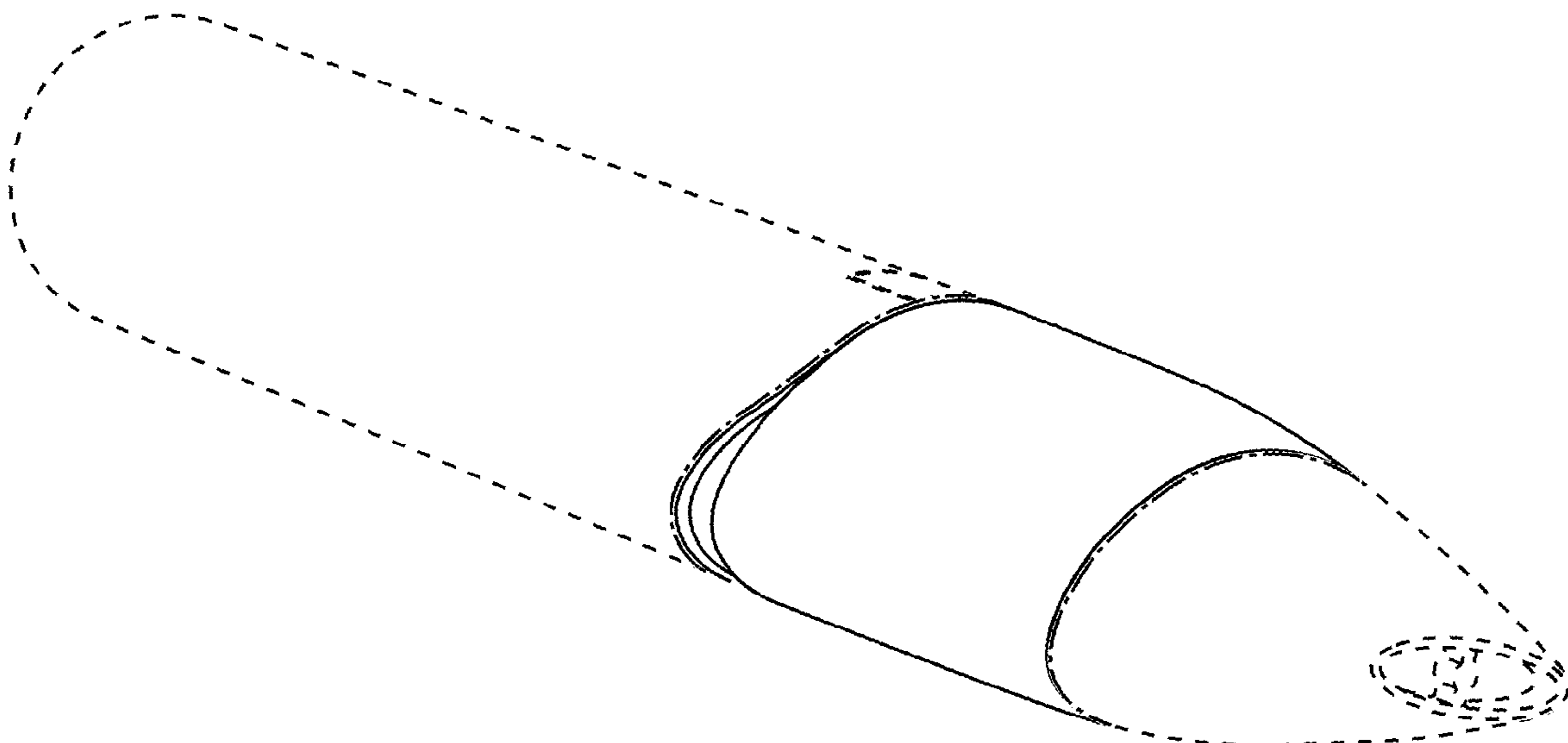
(57) **CLAIM**

The ornamental design for an electronic cigarette, as shown and described.

**DESCRIPTION**

FIG. 1 is a perspective view of an electronic cigarette; FIG. 2 is a front view of the electronic cigarette; FIG. 3 is a rear view of the electronic cigarette; FIG. 4 is a left side view of the electronic cigarette; FIG. 5 is a right side view of the electronic cigarette; FIG. 6 is a top view of the electronic cigarette; and, FIG. 7 is a bottom view of the electronic cigarette. The evenly spaced broken lines in the drawings depict portions of the electronic cigarette that form no part of the claimed design; the dash-dot-dash line represents a boundary of the claimed design.

**1 Claim, 7 Drawing Sheets**



**Related U.S. Application Data**

division of application No. 29/592,199, filed on Jan. 27, 2017, now Pat. No. Des. 830,625.

(30) **Foreign Application Priority Data**

Aug. 12, 2016 (EM) ..... 003339829-0002  
 Aug. 12, 2016 (EM) ..... 003339829-0003  
 Aug. 12, 2016 (EM) ..... 003339829-0004

(58) **Field of Classification Search**

CPC ..... A24F 47/008; A24F 47/002; A24F 15/14;  
 A24F 40/20; A24F 47/00

See application file for complete search history.

(56) **References Cited**

U.S. PATENT DOCUMENTS

D223,879 S 6/1972 Chernack  
 D224,760 S 9/1972 Chernack  
 D272,184 S 1/1984 Karpowicz  
 D281,011 S 10/1985 Helfer  
 D436,225 S 1/2001 Garofano et al.  
 6,357,448 B1 3/2002 Sinclair, Jr.  
 D532,927 S 11/2006 Sann  
 D590,991 S 4/2009 Hon  
 D632,014 S 2/2011 Lee  
 D655,036 S 2/2012 Zhou  
 D666,355 S 8/2012 Alelov  
 D683,897 S 6/2013 Liu  
 D684,311 S 6/2013 Liu  
 D685,522 S 7/2013 Potter et al.  
 D691,766 S 10/2013 Tucker et al.  
 D718,492 S 11/2014 Albanese  
 D720,499 S 12/2014 Alima  
 D720,882 S 1/2015 Albanese  
 D721,202 S 1/2015 Liu  
 D722,196 S 2/2015 Tucker et al.  
 D722,956 S 2/2015 Alima  
 D723,732 S 3/2015 Alima  
 D724,262 S 3/2015 Hearn et al.  
 D725,310 S 3/2015 Eksouzian  
 D728,852 S 5/2015 Hearn et al.  
 D732,733 S 6/2015 Spagnolo et al.  
 D738,566 S 9/2015 Tucker et al.  
 D738,567 S 9/2015 Tucker et al.  
 D739,597 S 9/2015 Lavanchy et al.  
 D739,598 S 9/2015 Lavanchy et al.  
 D739,599 S 9/2015 Liu  
 D742,065 S 10/2015 Leidel  
 D743,097 S 11/2015 Tucker et al.  
 D743,622 S 11/2015 Alima  
 D747,545 S 1/2016 Liu  
 D747,546 S 1/2016 Liu  
 D747,547 S 1/2016 Liu  
 D748,323 S 1/2016 Tucker et al.  
 D748,853 S 2/2016 Seibel et al.  
 D750,834 S 3/2016 Wei  
 D752,278 S 3/2016 Verleur et al.  
 D752,281 S 3/2016 Alima  
 D753,873 S 4/2016 Schuessler  
 D754,919 S 4/2016 Alarcon et al.  
 D755,440 S 5/2016 Collen  
 D756,031 S 5/2016 Wu  
 D756,564 S 5/2016 Yerkic-Husejnovic et al.  
 D757,352 S 5/2016 Bagai  
 D757,353 S 5/2016 Nunnally et al.  
 D757,996 S 5/2016 Hua  
 D759,303 S 6/2016 Afridi  
 D760,430 S 6/2016 Hanna  
 D760,948 S 7/2016 Eksouzian  
 D763,501 S 8/2016 McGarry et al.  
 D763,503 S 8/2016 Bramley et al.  
 D764,098 S 8/2016 Liu  
 D764,702 S 8/2016 Di Bari  
 D766,503 S 9/2016 Liu

D767,200 S 9/2016 Liu  
 D767,820 S 9/2016 Jordan et al.  
 D769,518 S 10/2016 Liu  
 D769,519 S 10/2016 Chen  
 D770,087 S 10/2016 Di Bari  
 9,480,286 B2 11/2016 Liu  
 9,497,999 B2 11/2016 Lord  
 D773,727 S 12/2016 Eksouzian  
 D773,729 S 12/2016 Jordan et al.  
 D774,693 S 12/2016 Liu  
 D776,337 S \* 1/2017 Levin ..... D27/101  
 D776,868 S 1/2017 Rado  
 D778,492 S 2/2017 Liu  
 D778,493 S 2/2017 Scott  
 D779,719 S 2/2017 Qiu  
 D779,722 S 2/2017 Volodarsky  
 D779,725 S 2/2017 Bramley et al.  
 D780,991 S \* 3/2017 Liu ..... D27/101  
 D780,993 S 3/2017 Bramley et al.  
 D782,108 S 3/2017 Jordan et al.  
 D782,728 S \* 3/2017 Pinder ..... D27/101  
 D786,497 S 5/2017 Sudlow et al.  
 D787,114 S \* 5/2017 Scott ..... D27/194  
 D790,123 S 6/2017 Beer et al.  
 D790,124 S 6/2017 Beer et al.  
 D790,125 S 6/2017 Beer et al.  
 D790,680 S 6/2017 Afridi  
 9,675,107 B2 6/2017 Levitz et al.  
 D792,021 S 7/2017 Beer et al.  
 D792,643 S 7/2017 Wong et al.  
 D795,495 S 8/2017 Li et al.  
 D795,496 S 8/2017 Beer et al.  
 D797,369 S 9/2017 Yamada et al.  
 D797,990 S 9/2017 Hawes et al.  
 D799,108 S 10/2017 Meyer et al.  
 D799,110 S \* 10/2017 Qiu ..... D27/101  
 D799,112 S 10/2017 Qiu  
 D799,113 S \* 10/2017 Qiu ..... D27/101  
 D799,741 S 10/2017 Liu  
 D799,744 S 10/2017 Qiu  
 D799,745 S 10/2017 Qiu  
 D799,748 S 10/2017 Freese  
 D799,749 S 10/2017 Freese  
 D800,381 S 10/2017 Chen  
 D800,383 S 10/2017 Verleur et al.  
 D802,207 S 11/2017 Bramley et al.  
 D802,835 S 11/2017 Bagai  
 D802,839 S \* 11/2017 Scott ..... D27/194  
 D803,475 S 11/2017 Scheiber  
 D804,090 S 11/2017 Verleur et al.  
 D804,091 S 11/2017 Fornarelli  
 D805,248 S 12/2017 Chen et al.  
 D805,684 S \* 12/2017 Thuery ..... D27/101  
 D806,942 S 1/2018 Qiu  
 D806,943 S 1/2018 Liu et al.  
 D807,574 S 1/2018 Hawes et al.  
 D808,580 S 1/2018 Kwitel et al.  
 9,894,931 B2 \* 2/2018 Zhou ..... A24F 47/008  
 D812,807 S 3/2018 Thuery  
 D813,155 S 3/2018 Yamada et al.  
 D813,445 S 3/2018 Scott  
 D813,447 S \* 3/2018 Watson ..... D27/162  
 D814,102 S 3/2018 Lehoux  
 D814,103 S 3/2018 Levinson  
 D815,340 S 4/2018 Bramley et al.  
 D815,341 S \* 4/2018 Qiu ..... D27/101  
 D816,266 S 4/2018 Thuery  
 9,936,732 B2 4/2018 Liu  
 D817,540 S 5/2018 Yamada et al.  
 D818,635 S \* 5/2018 Pinder ..... D27/101  
 D818,636 S \* 5/2018 Qiu ..... D27/101  
 D818,638 S \* 5/2018 Wright ..... D27/170  
 D819,263 S \* 5/2018 Zhu ..... D27/101  
 D819,881 S 6/2018 Qiu  
 D821,028 S 6/2018 Tucker et al.  
 9,999,246 B2 6/2018 Suzuki et al.  
 9,999,252 B2 6/2018 Liu  
 9,999,253 B2 6/2018 Li et al.  
 D822,271 S \* 7/2018 Eksouzian ..... D27/101

(56)

References Cited

U.S. PATENT DOCUMENTS

D822,592 S 7/2018 Cavalli, III et al.  
 D822,896 S 7/2018 Durand  
 D823,537 S 7/2018 Beaver  
 D823,689 S 7/2018 Durand  
 D824,100 S 7/2018 Scott et al.  
 10,015,991 B1 7/2018 Tucker et al.  
 D825,099 S \* 8/2018 Wright ..... D27/101  
 D825,102 S 8/2018 Bowen et al.  
 D825,103 S \* 8/2018 Wright ..... D27/194  
 D825,834 S \* 8/2018 Chen ..... D27/101  
 D825,835 S 8/2018 Verleur et al.  
 D825,837 S 8/2018 Abroff et al.  
 D825,838 S 8/2018 Abroff et al.  
 D825,844 S 8/2018 Verleur et al.  
 D826,470 S 8/2018 Huang et al.  
 D827,195 S \* 8/2018 Chen ..... D27/101  
 D827,922 S 9/2018 Hawes et al.  
 D829,369 S 9/2018 Stone  
 D829,370 S 9/2018 Stone  
 D829,371 S \* 9/2018 Durand ..... D27/101  
 D829,373 S 9/2018 Huang et al.  
 D829,974 S 10/2018 Stone  
 D829,975 S 10/2018 Stone  
 D829,976 S 10/2018 Stone  
 D829,977 S 10/2018 Stone  
 D829,978 S 10/2018 Stone  
 D829,980 S \* 10/2018 Qiu ..... D27/162  
 D830,625 S \* 10/2018 Stone ..... D27/101  
 D831,271 S 10/2018 Qiu  
 D831,885 S 10/2018 Wang et al.  
 D832,499 S 10/2018 Qiu  
 D832,500 S 10/2018 Qiu  
 D832,503 S 10/2018 Blanding  
 D833,064 S 11/2018 Verleur et al.  
 D834,246 S 11/2018 Qiu  
 D834,702 S 11/2018 Evans et al.  
 D834,743 S 11/2018 Tucker et al.  
 D835,337 S \* 12/2018 Beer ..... D27/162  
 D836,190 S 12/2018 Evans et al.  
 D836,833 S 12/2018 Simon  
 10,143,237 B2 \* 12/2018 Watson ..... H05B 1/0227  
 10,159,285 B2 \* 12/2018 Watson ..... A24F 7/02  
 D838,900 S 1/2019 Freese  
 D841,231 S 2/2019 Hawes et al.  
 10,201,188 B2 \* 2/2019 Lin ..... A24F 47/00  
 D843,648 S 3/2019 Santos  
 D843,649 S 3/2019 Rasmussen et al.  
 D843,650 S 3/2019 Verleur et al.  
 D844,221 S 3/2019 Tucker et al.  
 D844,222 S 3/2019 Yamada et al.  
 D844,233 S 3/2019 Yamada et al.  
 D849,318 S 5/2019 Deng et al.  
 10,292,436 B2 \* 5/2019 Cirillo ..... A24F 47/008  
 D855,251 S \* 7/2019 Qiu ..... D27/162  
 D855,877 S \* 8/2019 Folkerts ..... D27/162  
 D855,879 S 8/2019 Sudlow  
 D856,575 S \* 8/2019 Folkerts ..... D27/162  
 D859,736 S 9/2019 Sudlow  
 D862,793 S \* 10/2019 Chang ..... D27/162  
 D862,795 S 10/2019 Caldas  
 D863,670 S \* 10/2019 He ..... D27/162  
 D863,674 S \* 10/2019 Chang ..... D27/162  
 10,426,198 B2 10/2019 Dendy et al.  
 10,433,585 B2 10/2019 Tucker et al.  
 10,440,993 B2 10/2019 Minskoff et al.  
 D868,360 S \* 11/2019 Stone ..... D27/101  
 D868,361 S \* 11/2019 Stone ..... D27/101  
 D868,362 S 11/2019 Stone  
 D868,363 S 11/2019 Stone  
 D868,364 S 11/2019 Stone  
 D869,085 S \* 12/2019 Campbell ..... D27/162  
 D869,747 S 12/2019 Stone  
 D869,753 S 12/2019 Yang  
 D870,369 S \* 12/2019 Greenbaum ..... D27/162  
 D870,372 S \* 12/2019 Zhu ..... D27/167

D874,059 S \* 1/2020 Bailey ..... D27/162  
 D877,976 S \* 3/2020 Ding ..... D27/162  
 D878,671 S 3/2020 Stone  
 D880,055 S \* 3/2020 Luo ..... D27/162  
 10,602,774 B2 \* 3/2020 Hawes ..... A24F 40/40  
 D881,457 S \* 4/2020 Ouyang ..... D27/162  
 10,609,958 B2 \* 4/2020 Robinson ..... H05B 3/286  
 10,609,962 B2 \* 4/2020 Zhu ..... A24F 47/008  
 D883,566 S \* 5/2020 Filleul ..... D27/162  
 2011/0290244 A1 12/2011 Schennum  
 2013/0068239 A1 3/2013 Youn  
 2013/0319438 A1 12/2013 Liu  
 2014/0060524 A1 3/2014 Liu  
 2014/0196716 A1 7/2014 Liu  
 2015/0020827 A1 1/2015 Liu  
 2015/0020828 A1 1/2015 Liu  
 2015/0027467 A1 1/2015 Liu  
 2015/0034104 A1 2/2015 Zhou  
 2015/0059784 A1 3/2015 Liu  
 2015/0128973 A1 5/2015 Li et al.  
 2015/0196056 A1 7/2015 Liu  
 2015/0296889 A1 10/2015 Liu  
 2015/0313288 A1 11/2015 Liu  
 2015/0335072 A1 11/2015 Giller  
 2016/0073692 A1 3/2016 Alarcon et al.  
 2016/0073694 A1 3/2016 Liu  
 2016/0113327 A1 4/2016 Wu  
 2016/0120222 A1 5/2016 Bagai et al.  
 2016/0120226 A1 5/2016 Rado  
 2016/0121058 A1 5/2016 Chen  
 2016/0135502 A1 5/2016 Wang et al.  
 2016/0150821 A1 6/2016 Liu  
 2016/0183593 A1 6/2016 Liu  
 2016/0183596 A1 6/2016 Rado  
 2016/0270446 A1 9/2016 Shenkal et al.  
 2016/0331912 A1 11/2016 Trzeciński  
 2016/0338405 A1 11/2016 Liu  
 2016/0345626 A1 12/2016 Wong et al.  
 2016/0353805 A1 12/2016 Hawes et al.  
 2016/0374396 A1 12/2016 Jordan et al.  
 2016/0374397 A1 12/2016 Jordan et al.  
 2017/0127722 A1 5/2017 Davis et al.  
 2017/0143040 A1 5/2017 Liu  
 2017/0202265 A1 7/2017 Hawes et al.  
 2017/0215478 A1 \* 8/2017 Harrison ..... A24F 7/02  
 2017/0294804 A1 10/2017 Sur  
 2017/0295845 A1 10/2017 Bajpai et al.  
 2018/0116281 A1 5/2018 Anderson, Jr.  
 2018/0169355 A1 6/2018 Reeve  
 2018/0177234 A1 6/2018 Lee  
 2018/0213847 A1 8/2018 Reeve  
 2018/0255835 A1 9/2018 Crowe et al.  
 2018/0271149 A1 9/2018 Holtz et al.  
 2018/0271151 A1 9/2018 Litten  
 2018/0279674 A1 10/2018 Watson  
 2018/0279682 A1 10/2018 Guo et al.  
 2018/0310618 A1 11/2018 Watson  
 2018/0339118 A1 11/2018 Ouyang et al.  
 2019/0008207 A1 1/2019 Crowe  
 2019/0090542 A1 3/2019 Harrison et al.  
 2019/0090551 A1 3/2019 Hon

FOREIGN PATENT DOCUMENTS

CN 303657684 S 4/2016  
 TW D148448 8/2012  
 TW D155436 8/2013  
 TW D155654 8/2013

OTHER PUBLICATIONS

Taiwanese Office Action dated Dec. 12, 2017 in Taiwanese Application No. 106300550.  
 Taiwanese Office Action dated Dec. 12, 2017 in Taiwanese Application No. 106300548.  
 Taiwanese Office Action dated Dec. 27, 2017 in Taiwanese Application No. 106300549.

(56)

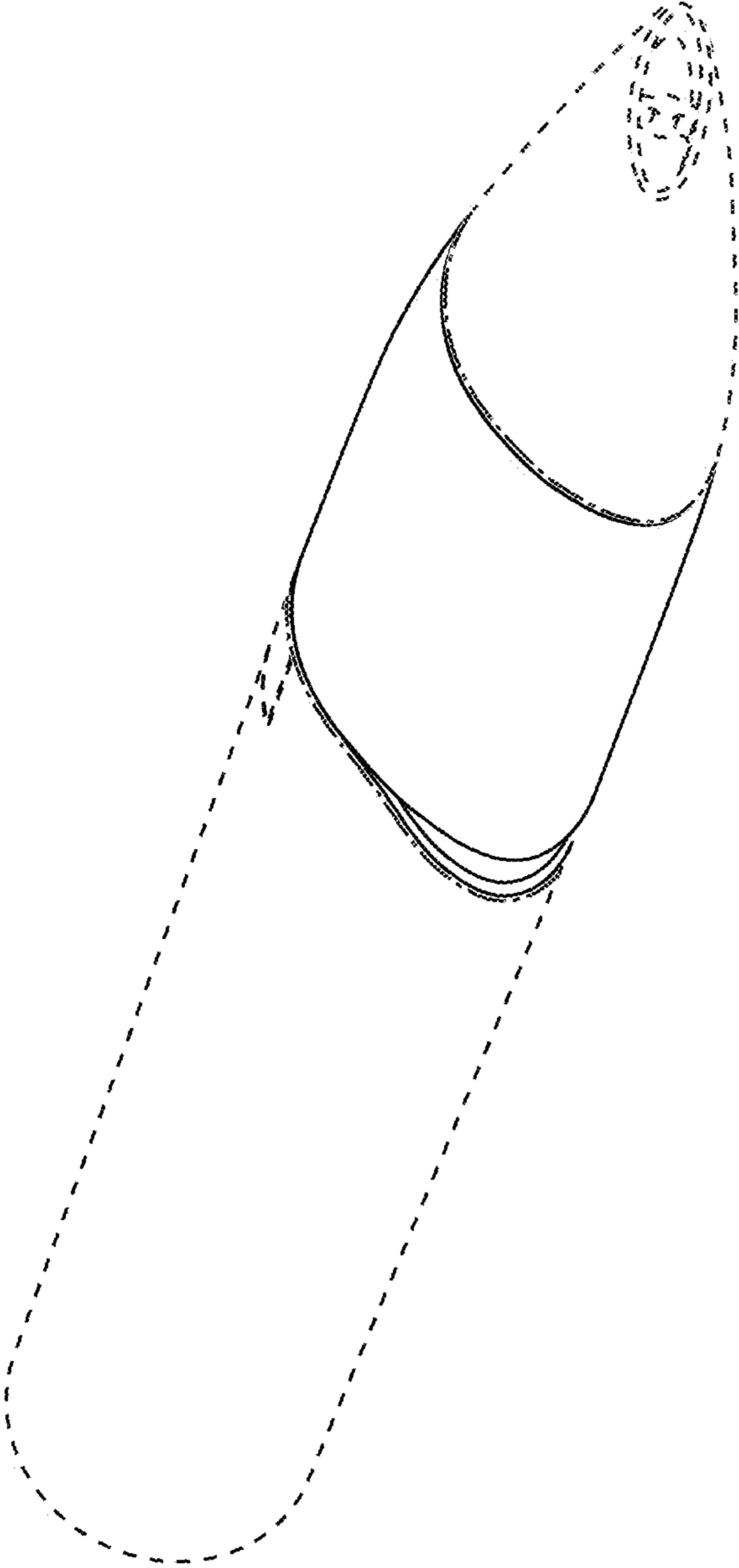
**References Cited**

OTHER PUBLICATIONS

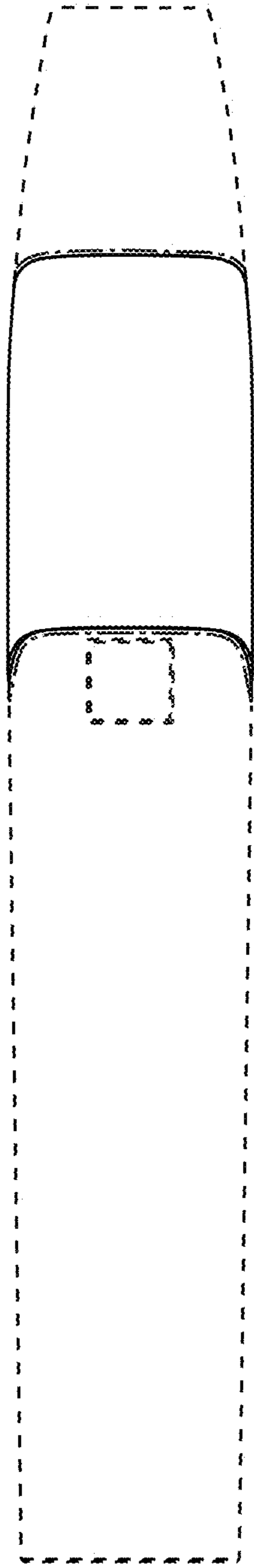
U.S. Notice of Allowance and Corrected Notice of Allowance dated Jan. 17, 2018 and Feb. 13, 2018 in related U.S. Appl. No. 29/592,199.  
U.S. Office Action dated Jan. 4, 2018 in related U.S. Appl. No. 29/592,185.  
U.S. Office Action dated Jan. 4, 2018 in related U.S. Appl. No. 29/592,202.  
U.S. Notice of Allowance and Corrected Notice of Allowance dated Jan. 17, 2018 and Feb. 13, 2018 in related U.S. Appl. No. 29/592,193.  
U.S. Office Action dated Jan. 5, 2018 in related U.S. Appl. No. 29/592,191.  
U.S. Office Action dated Jan. 4, 2018 in related U.S. Appl. No. 29/592,186.  
U.S. Office Action dated Jan. 4, 2018 in related U.S. Appl. No. 29/592,200.  
U.S. Office Action dated Jan. 5, 2018 in related U.S. Appl. No. 29/592,211.  
U.S. Office Action dated May 14, 2019, in related U.S. Appl. No. 29/662,847.  
U.S. Office Action dated May 14, 2019, in related U.S. Appl. No. 29/662,843.  
U.S. Office Action dated May 23, 2019 in corresponding U.S. Appl. No. 29/662,871.  
U.S. Office Action dated May 23, 2019 in corresponding U.S. Appl. No. 29/662,859.  
U.S. Office Action dated May 23, 2019 in corresponding U.S. Appl. No. 29/662,845.

U.S. Office Action dated May 23, 2019 in corresponding U.S. Appl. No. 29/662,880.  
U.S. Office Action dated May 23, 2019 in corresponding U.S. Appl. No. 29/662,888.  
U.S. Office Action dated May 22, 2020 in corresponding U.S. Appl. No. 29/710,932.  
Notice of Allowance dated Jun. 4, 2020, issued in corresponding U.S. Appl. No. 29/710,946.  
Notice of Allowance dated Jun. 4, 2020, issued in corresponding U.S. Appl. No. 29/710,936.  
Notice of Allowance dated Jun. 4, 2020, issued in corresponding U.S. Appl. No. 29/710,972.  
U.S. Office Action dated Jun. 5, 2020 in corresponding U.S. Appl. No. 29/710,951.  
U.S. Office Action dated Jun. 5, 2020 in corresponding U.S. Appl. No. 29/710,957.  
Notice of Allowance dated Jul. 2, 2020, issued in corresponding U.S. Appl. No. 29/710,946.  
Notice of Allowance dated Jul. 6, 2020, issued in corresponding U.S. Appl. No. 29/710,936.  
Notice of Allowance dated Jul. 2, 2020, issued in corresponding U.S. Appl. No. 29/710,972.  
Notice of Allowance dated Aug. 26, 2020, issued in corresponding U.S. Appl. No. 29/710,932.  
Notice of Allowance dated Sep. 11, 2020, issued in corresponding U.S. Appl. No. 29/710,957.  
Notice of Allowance dated Sep. 16, 2020, issued in corresponding U.S. Appl. No. 29/710,951.

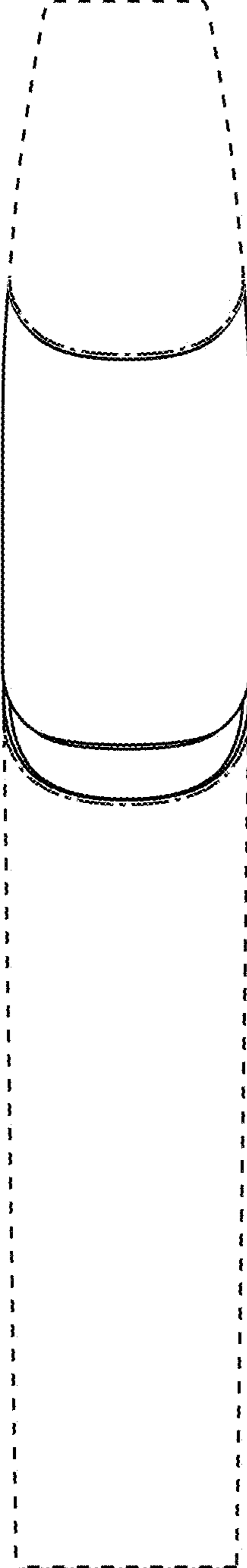
\* cited by examiner



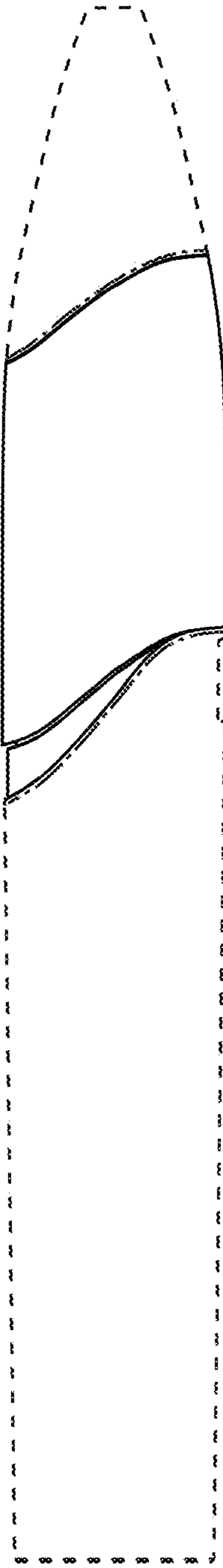
**FIG. 1**



**FIG. 2**

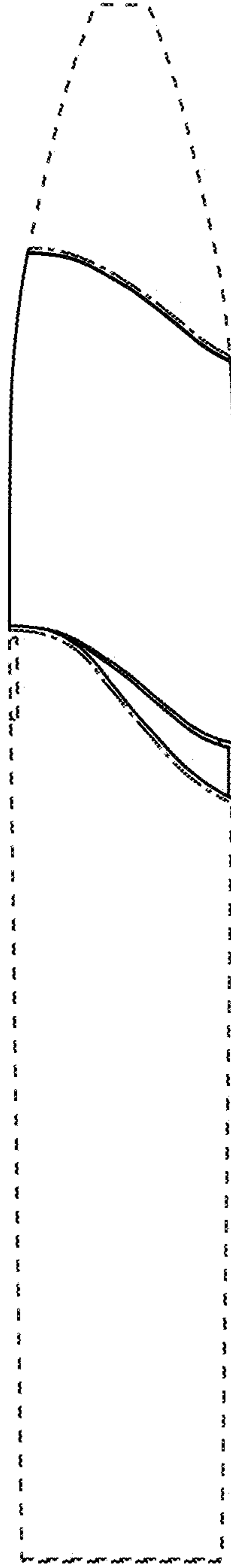


**FIG. 3**

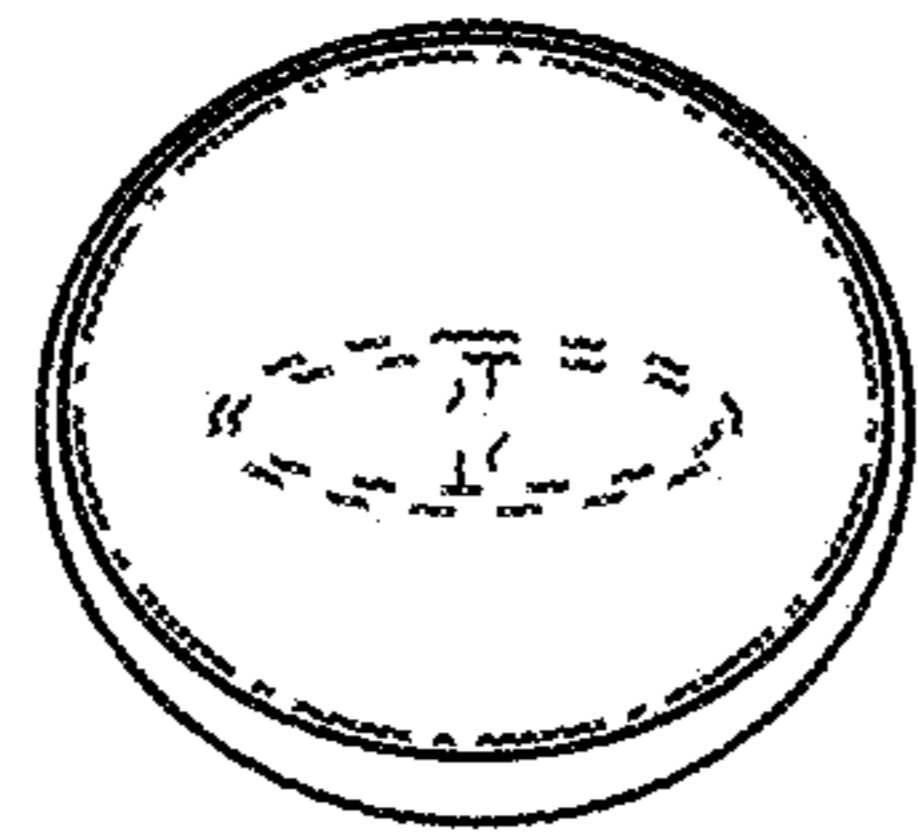


**FIG. 4**

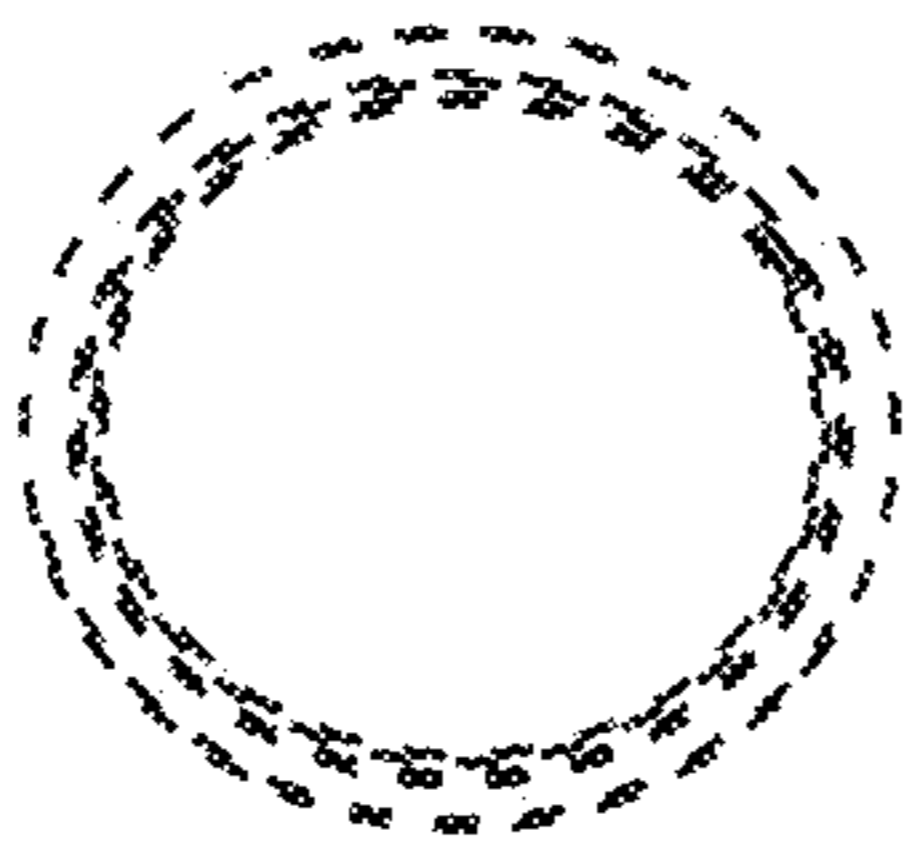




**FIG. 5**



**FIG. 6**



**FIG. 7**