



US00D901754S

(12) **United States Design Patent** (10) **Patent No.:** **US D901,754 S**
Roys et al. (45) **Date of Patent:** **** Nov. 10, 2020**

(54) **LAMP SUPPORT**

FOREIGN PATENT DOCUMENTS

(71) Applicant: **RetroLED Components, LLC**, Odessa, TX (US)

CN 202901882 U 4/2013
CN 202915096 U 5/2013

(Continued)

(72) Inventors: **Curtis Alan Roys**, Fredericksburg, TX (US); **Sidney Howard Norton**, Odessa, TX (US)

Primary Examiner — Natasha Vujcic
(74) *Attorney, Agent, or Firm* — Scheinberg & Associates, PC; Michael O. Scheinberg

(**) Term: **15 Years**

(57) **CLAIM**

(21) Appl. No.: **29/694,608**

We claim the ornamental design for a lamp support, as shown and described.

(22) Filed: **Jun. 12, 2019**

Related U.S. Application Data

DESCRIPTION

(63) Continuation-in-part of application No. 29/600,778, filed on Apr. 14, 2017, now Pat. No. Des. 851,816.

(51) **LOC (12) Cl.** **26-05**

(52) **U.S. Cl.**
USPC **D26/138**

(58) **Field of Classification Search**
USPC D26/63, 72, 74, 76, 78–83, 85, 86, 88, D26/90, 93, 111, 113, 118, 119, 120, 121, D26/122, 138, 139, 140, 141, 142, 152
CPC F21S 2/00; F21S 4/00; F21S 4/003; F21S 4/005; F21S 4/006; F21S 4/007; F21S 4/008; F21S 6/00; F21S 8/00; F21S 8/024; F21S 8/026; F21S 8/031; F21S 8/033; F21S 8/035–037; F21S 8/04; F21S 8/043; F21S 8/063
See application file for complete search history.

FIG. 1 is a perspective view of a lamp support showing an embodiment of my new design;
FIG. 2 is a front elevation of lamp support of FIG. 1;
FIG. 3 is a rear elevation of the lamp support of FIG. 1;
FIG. 4 is a left side elevation of the lamp support of FIG. 1;
FIG. 5 is a right side elevation of the lamp support of FIG. 1;
FIG. 6 is top plan view of the lamp support of FIG. 1;
FIG. 7 is a bottom plan view of the lamp support of FIG. 1;
FIG. 8 is a perspective view of a lamp support showing another embodiment of my new design;
FIG. 9 is top plan view of the lamp support of FIG. 8;
FIG. 10 is a perspective view of a lamp support showing yet another embodiment of my new design;
FIG. 11 is top plan view of the lamp support of FIG. 10; and, FIG. 12 shows a lamp support of FIG. 8 in use.

(56) **References Cited**

U.S. PATENT DOCUMENTS

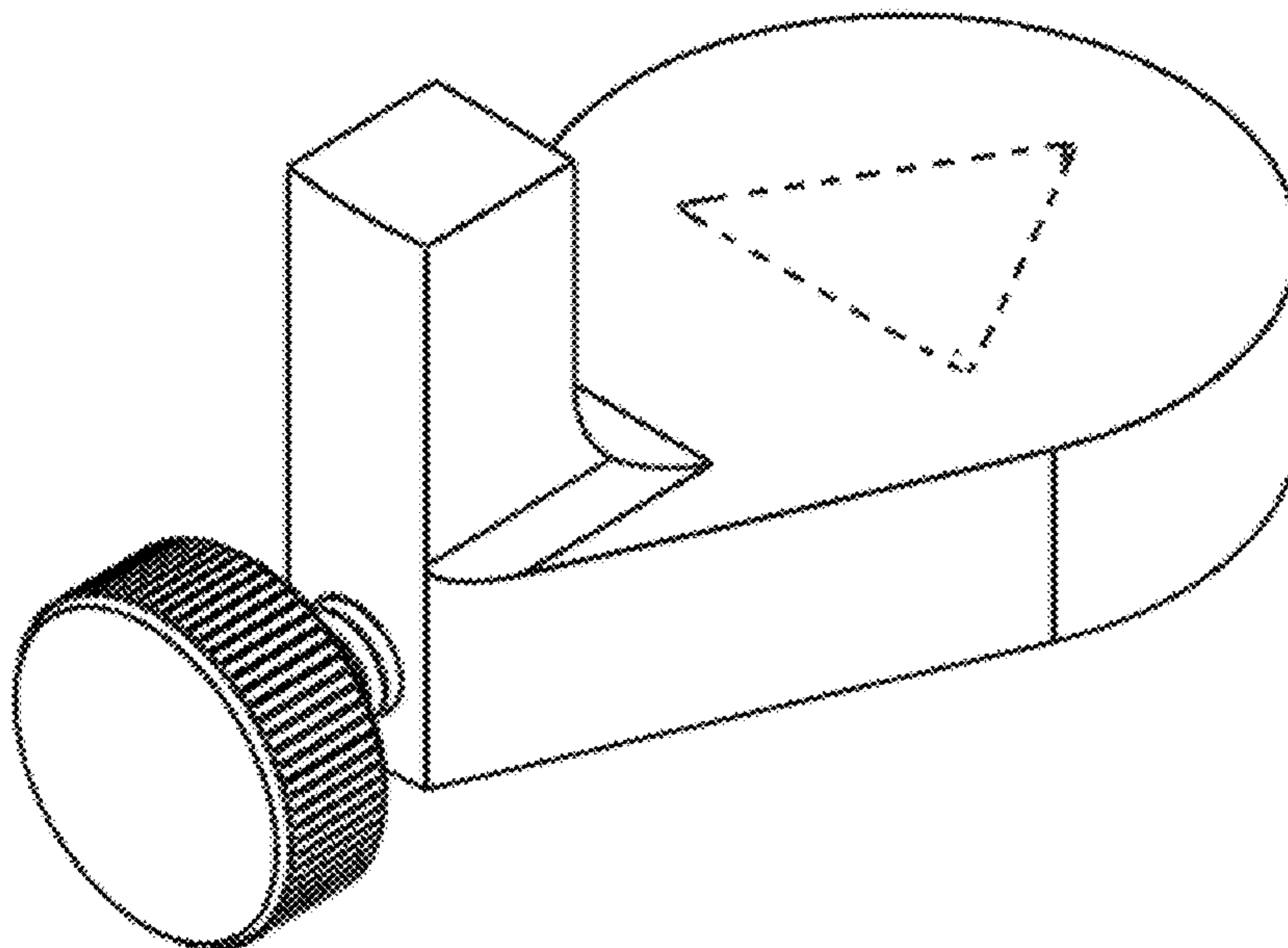
D43,515 S * 2/1913 Bishop D26/141
D321,765 S 11/1991 Morse
D327,548 S * 6/1992 Wereley D26/140

(Continued)

The front elevation, rear elevation, left elevation, and right elevation of the embodiments of FIGS. 9 and 11 are the same as the front elevation, rear elevation, left elevation, and right elevation of the embodiment of FIG. 1.

The broken lines in the drawings illustrate portions of the lamp support which form no part of the claimed design.

1 Claim, 6 Drawing Sheets



(56)

References Cited

U.S. PATENT DOCUMENTS

D337,851 S * 7/1993 Gary D26/138
 D345,814 S 4/1994 Wright, I
 D354,365 S 1/1995 Roos et al.
 D356,391 S 3/1995 Sugiura et al.
 D358,679 S * 5/1995 Garrity D26/138
 D374,739 S * 10/1996 Blanton D26/138
 5,688,042 A 11/1997 Madadi et al.
 D402,396 S 12/1998 Protz, Jr.
 D417,612 S 12/1999 Jones
 D421,664 S * 3/2000 Sherman D26/140
 D435,684 S * 12/2000 Gary D26/138
 6,210,019 B1 4/2001 Weathers
 D477,093 S 7/2003 Moriyama et al.
 D482,489 S 11/2003 Gary et al.
 D506,274 S 6/2005 Moriyama et al.
 D535,780 S 1/2007 Mier-Langner et al.
 D550,075 S 9/2007 Tung
 D560,847 S 1/2008 Ladewig
 D577,148 S 9/2008 Snider
 D584,429 S 1/2009 Pei et al.
 D594,999 S 6/2009 Uchida et al.
 D599,498 S 9/2009 Snider
 D601,726 S 10/2009 Mollaert et al.
 D606,240 S * 12/2009 Bernhardt F21V 17/04
 D26/118
 D610,724 S 2/2010 Chiang et al.
 7,976,196 B2 7/2011 Ivey et al.
 8,075,167 B2 12/2011 Shin
 8,232,713 B2 7/2012 Li et al.
 D668,379 S * 10/2012 Storey D26/138
 8,328,386 B2 12/2012 Catalano et al.
 D676,191 S 2/2013 Barrett
 8,434,914 B2 5/2013 Li et al.
 8,573,813 B2 11/2013 Ivey et al.
 8,636,391 B2 1/2014 Dellian et al.
 D703,372 S 4/2014 Martin

D752,804 S 3/2016 Williamson
 D771,305 S 11/2016 Woller
 D838,035 S * 1/2019 Galekop D26/138
 D851,816 S * 6/2019 Roys D26/120
 D884,261 S * 5/2020 Long D26/138
 2004/0056600 A1 3/2004 Lapatovich et al.
 2010/0008085 A1 1/2010 Ivey et al.
 2011/0141729 A1 6/2011 Yang et al.
 2012/0008316 A1 1/2012 Ivey
 2012/0074831 A1 3/2012 Li et al.
 2012/0161666 A1 6/2012 Antony et al.
 2013/0223052 A1 8/2013 Simon et al.
 2014/0153231 A1 6/2014 Bittmann
 2014/0301069 A1 10/2014 Hwu et al.
 2015/0016099 A1 1/2015 Khanampornpan
 2015/0092413 A1 4/2015 Li et al.
 2015/0184838 A1 7/2015 Li et al.
 2016/0018062 A1 1/2016 Zhang et al.
 2017/0030530 A1 2/2017 Roys
 2017/0051882 A1 2/2017 Engel et al.

FOREIGN PATENT DOCUMENTS

CN 103542273 A 1/2014
 DE 102009023055 A1 12/2010
 DE 102012211934 A1 1/2014
 DE 102014214603 A1 1/2016
 EP 3009732 A1 4/2016
 JP 2012156056 A 8/2012
 KR 1020130068957 6/2013
 WO 2013082523 A1 6/2013
 WO 2013104624 A1 7/2013
 WO 2014048677 A1 4/2014
 WO 2014202361 A1 12/2014
 WO 2015120929 A1 8/2015
 WO 2016012124 A1 1/2016
 WO 2016012189 A1 1/2016
 WO 2017019644 A1 2/2017

* cited by examiner

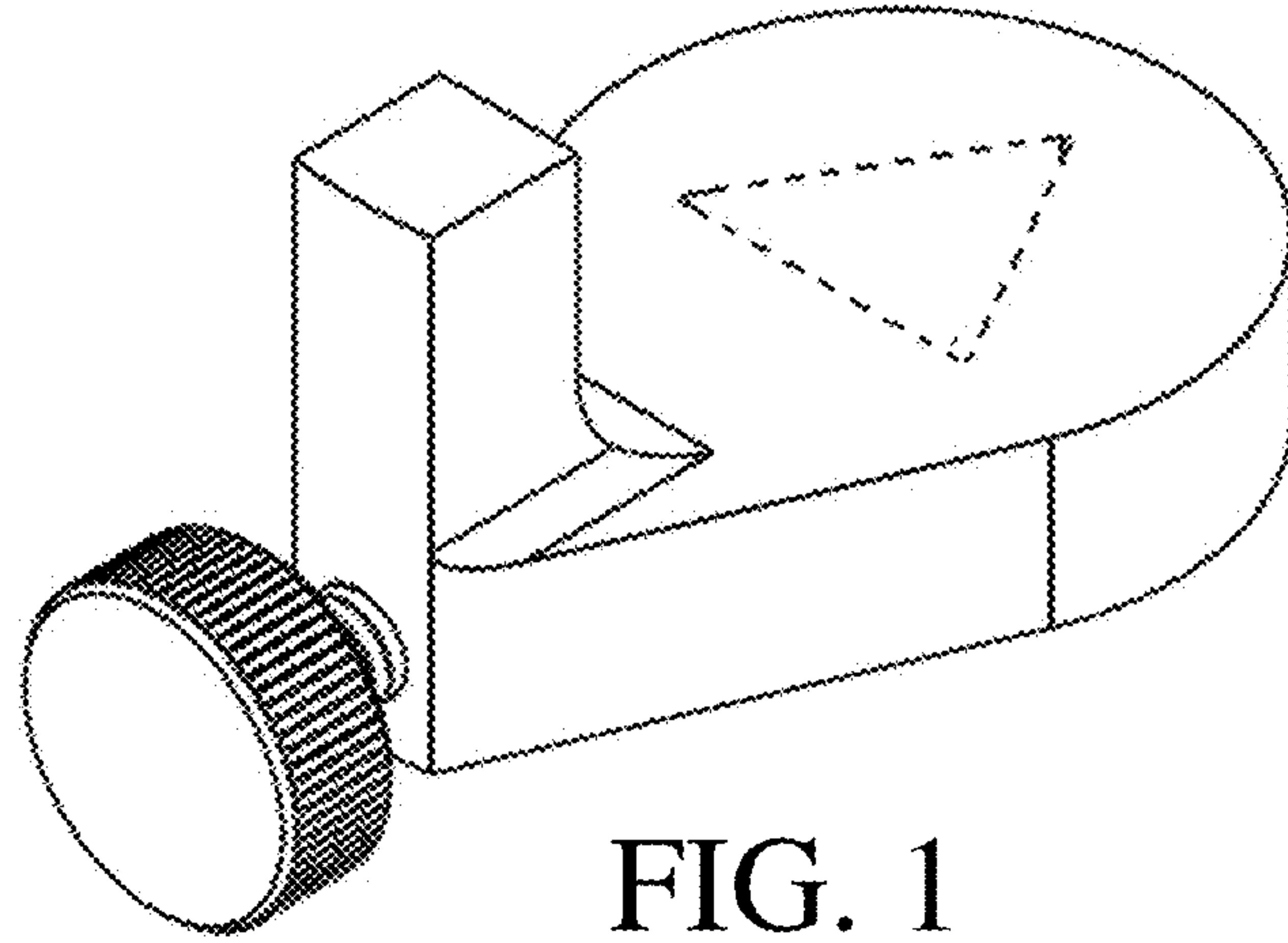


FIG. 1

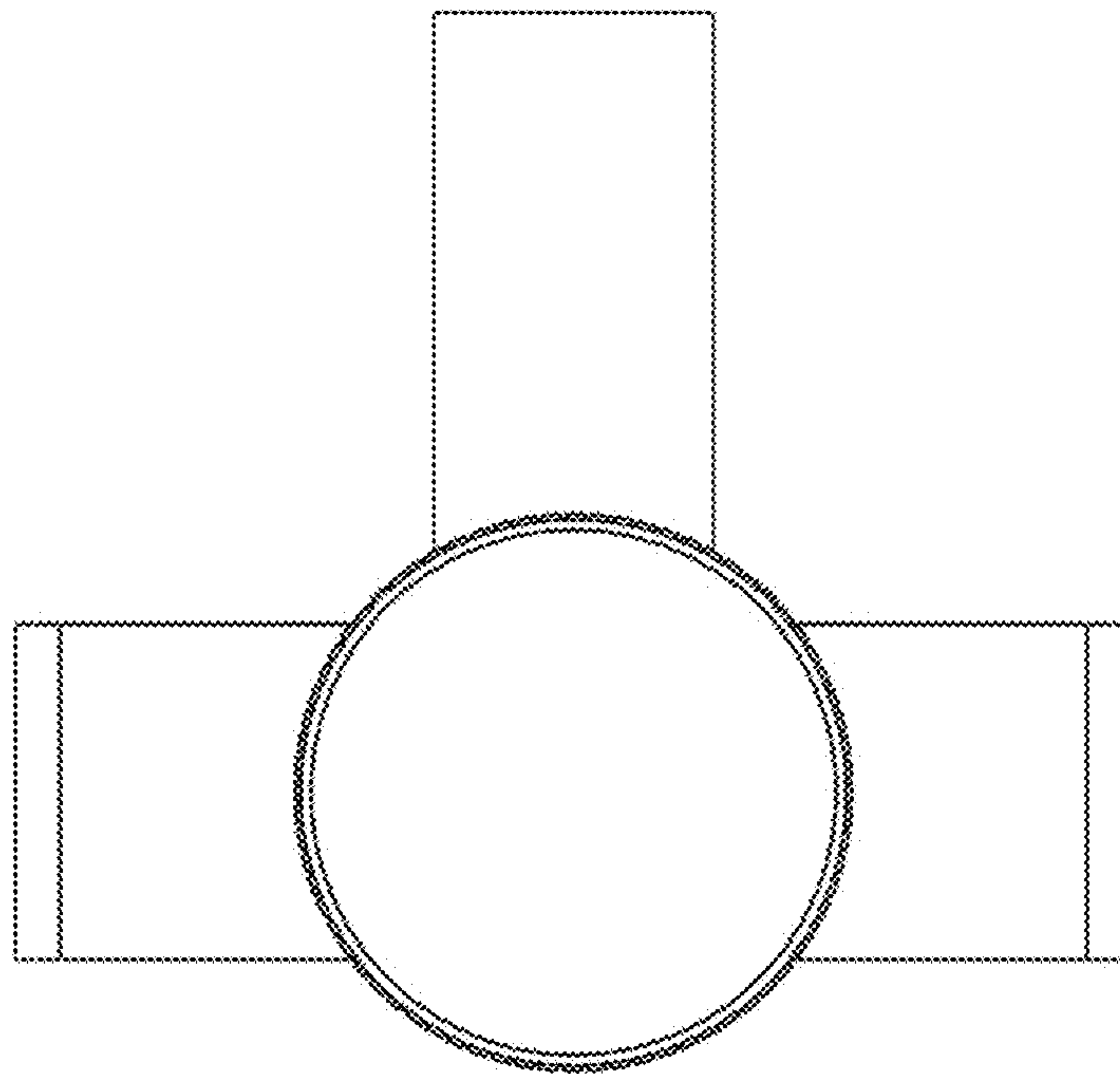


FIG. 2

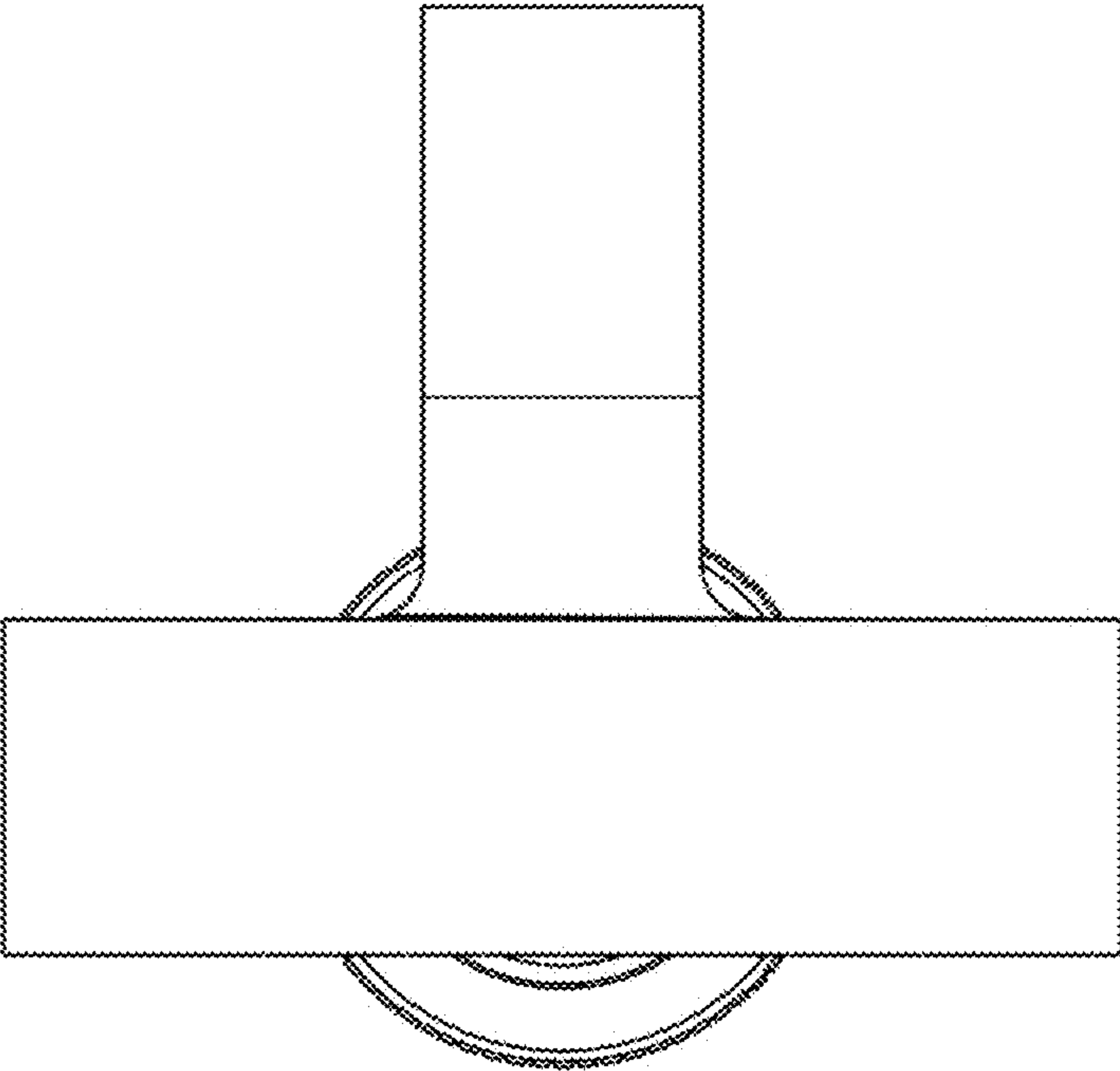


FIG. 3

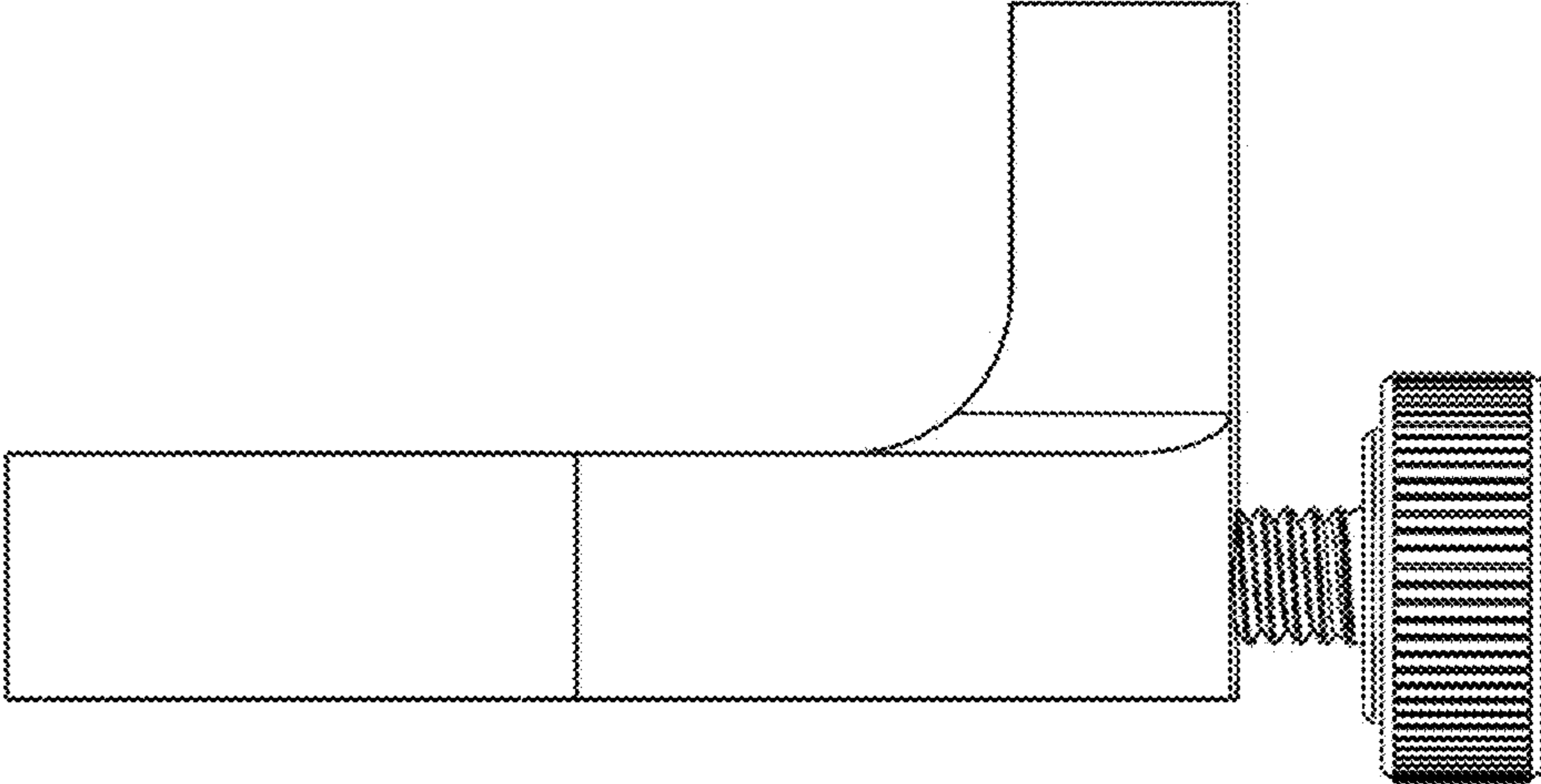


FIG. 4

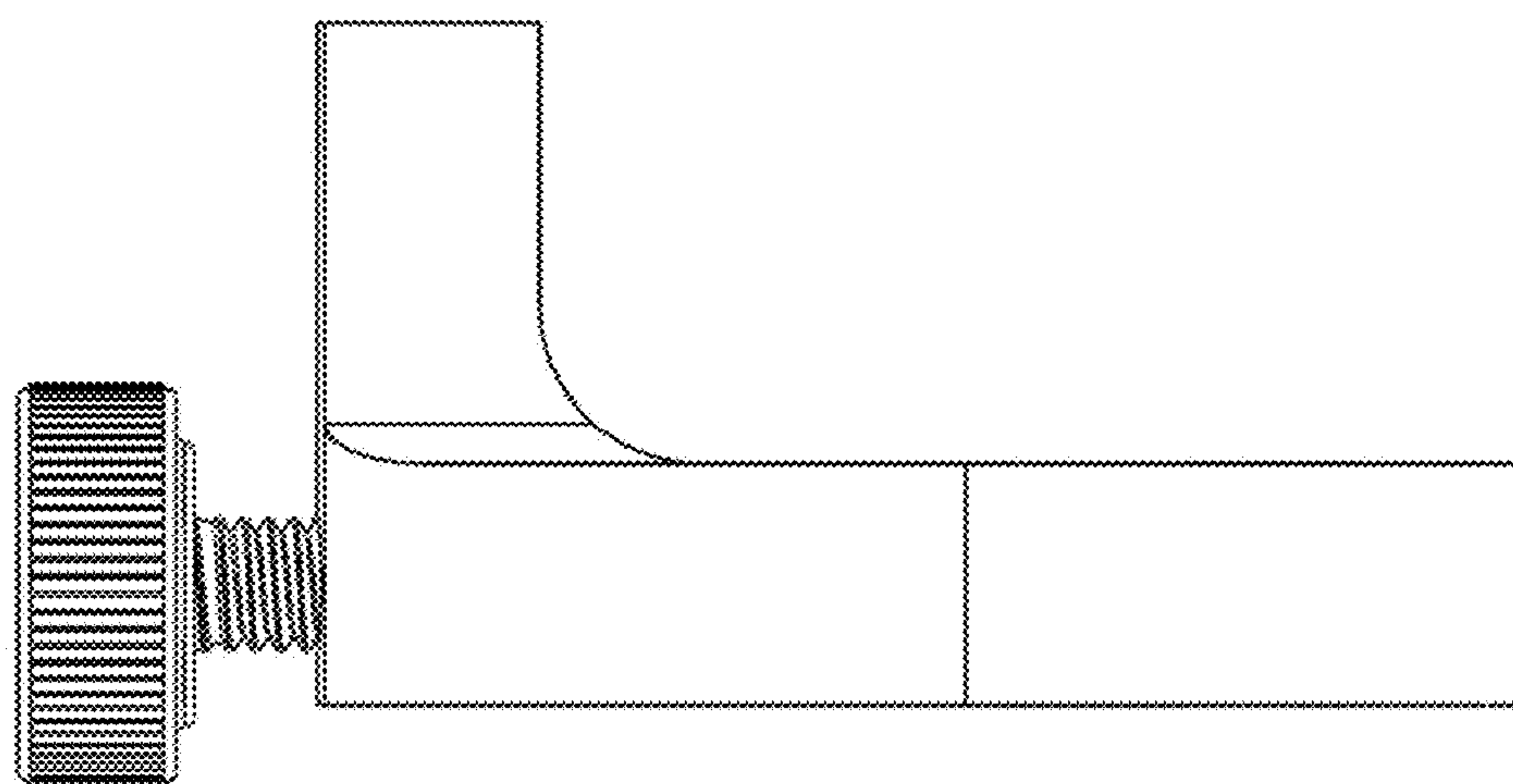


FIG. 5

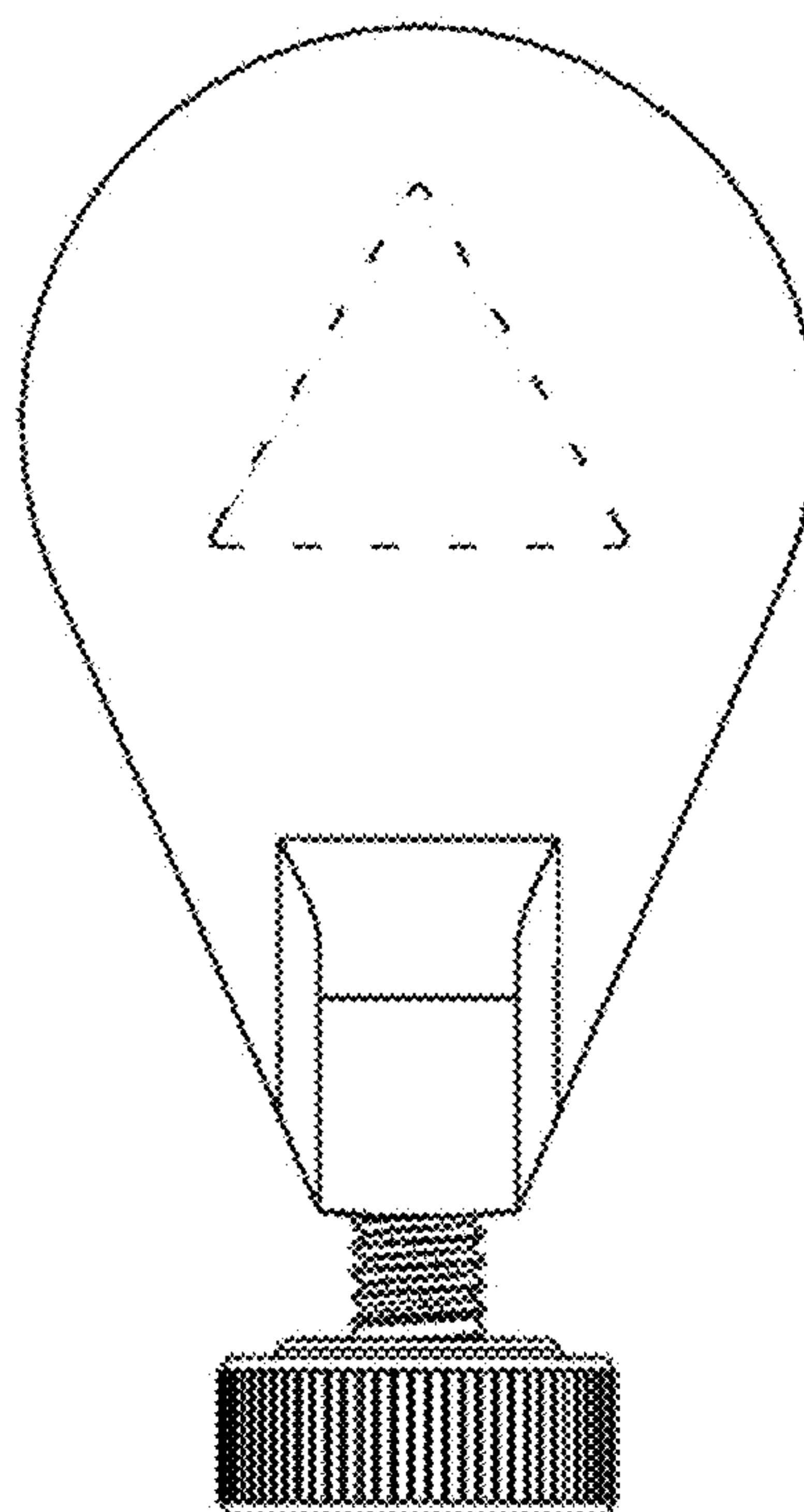


FIG. 6

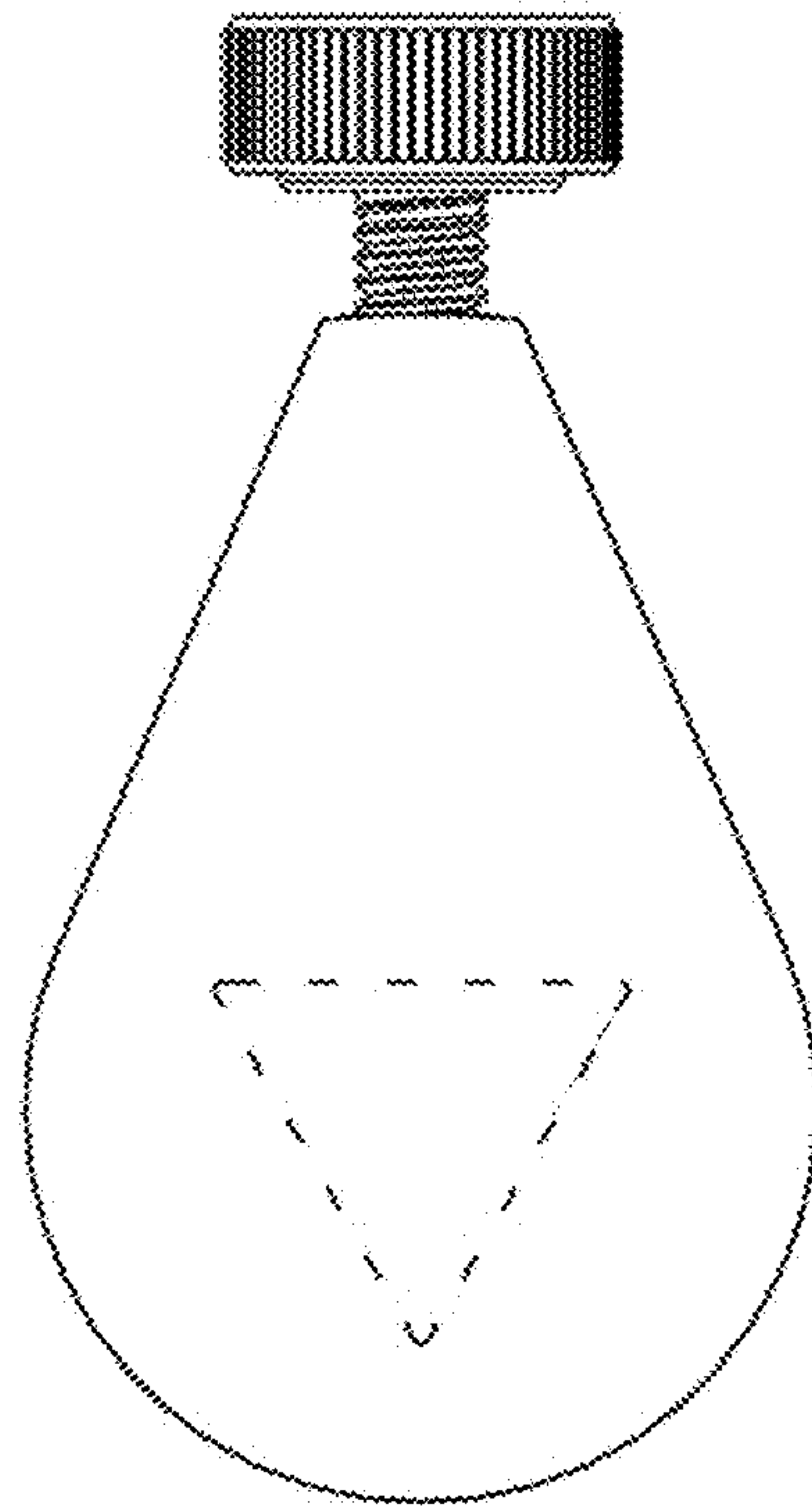


FIG. 7

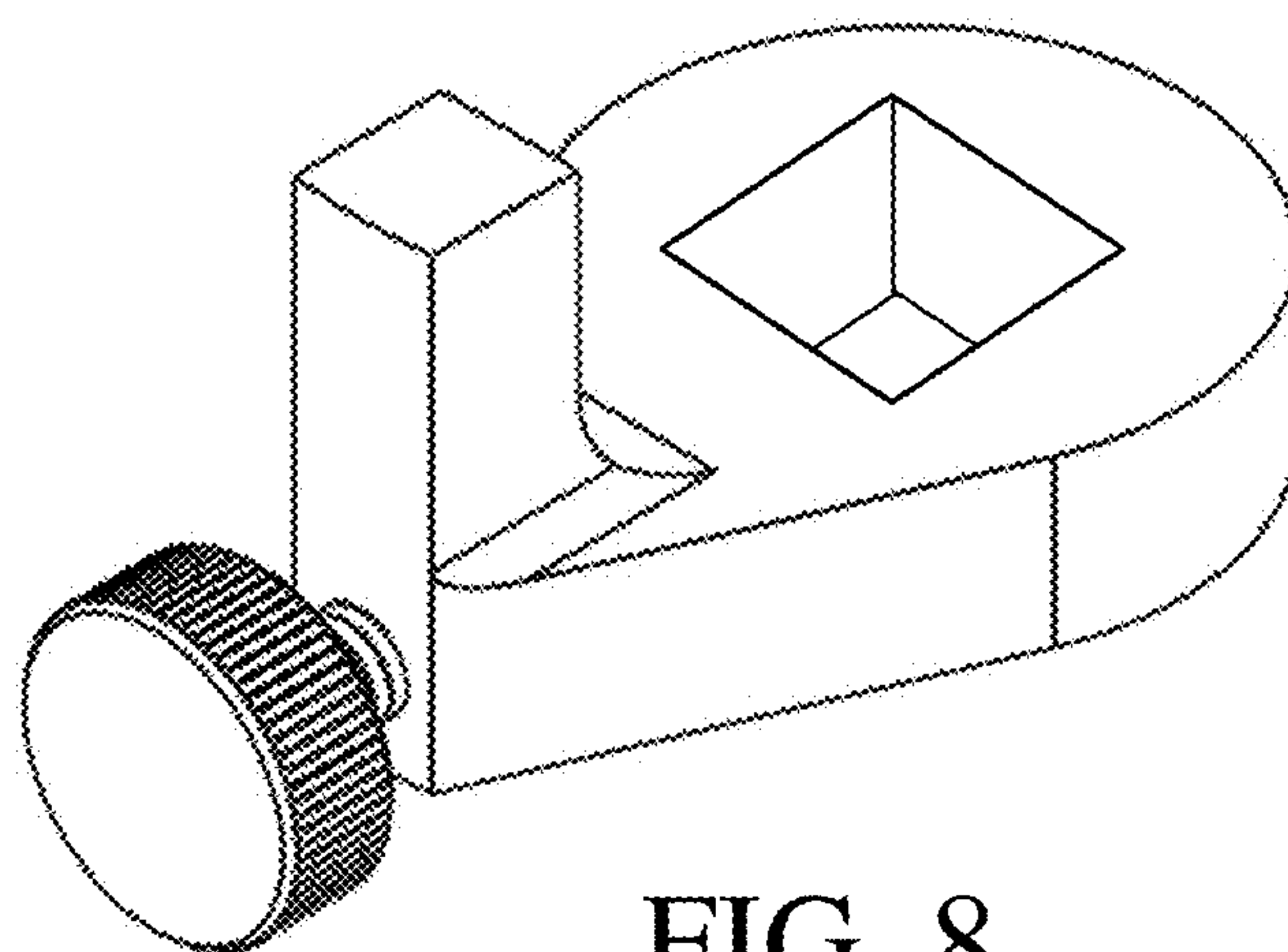


FIG. 8

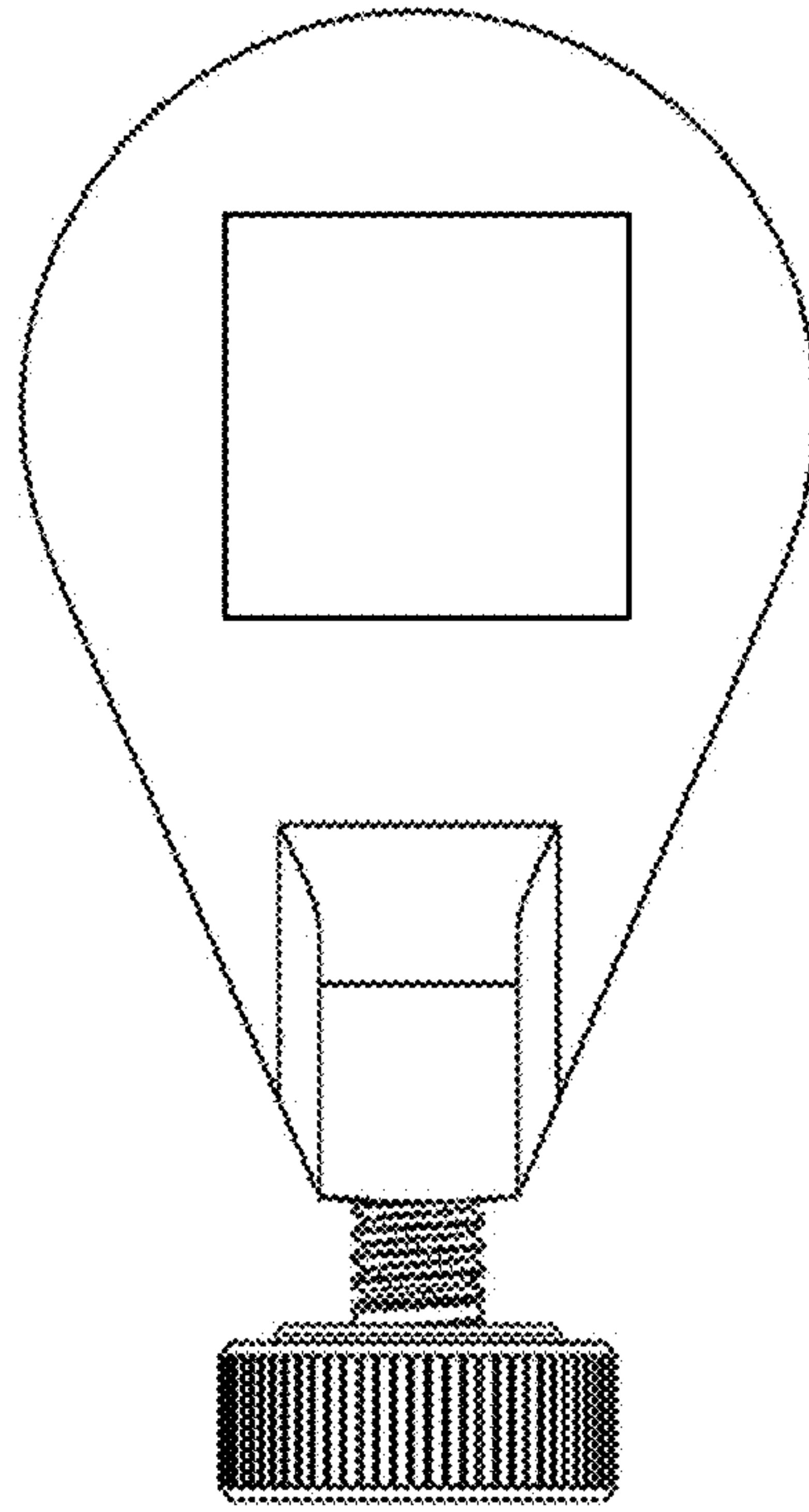


FIG. 9

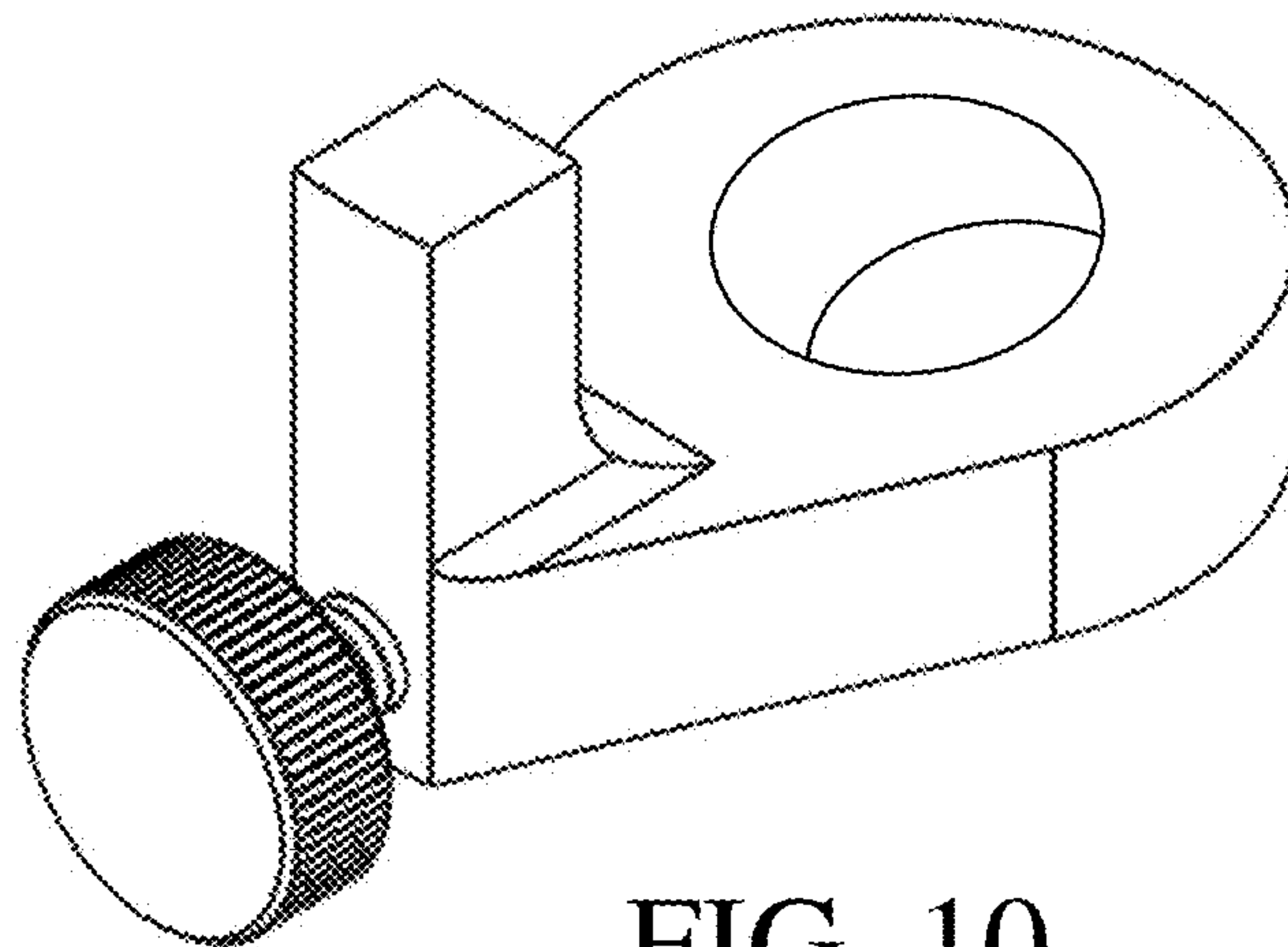


FIG. 10

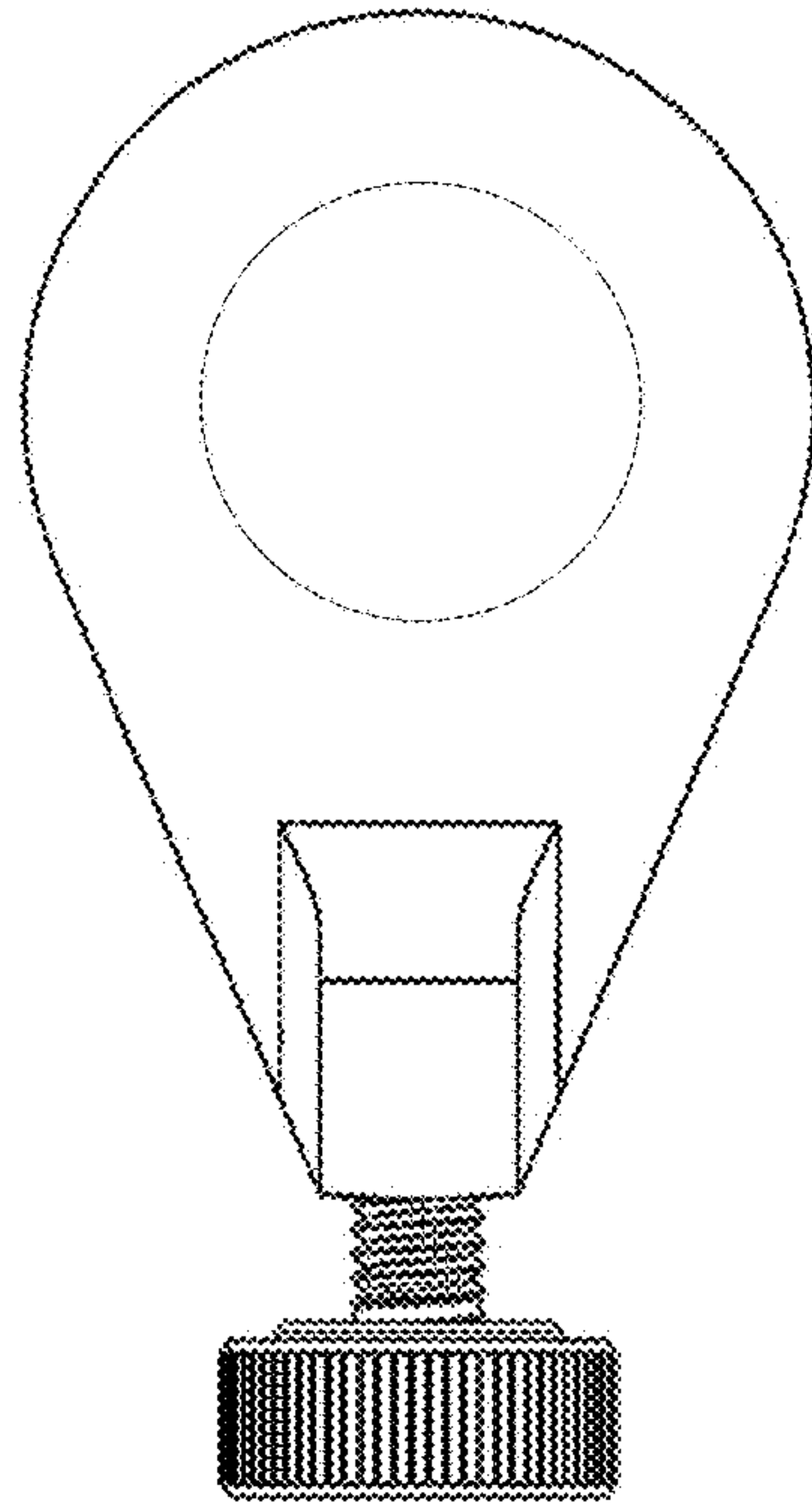


FIG. 11

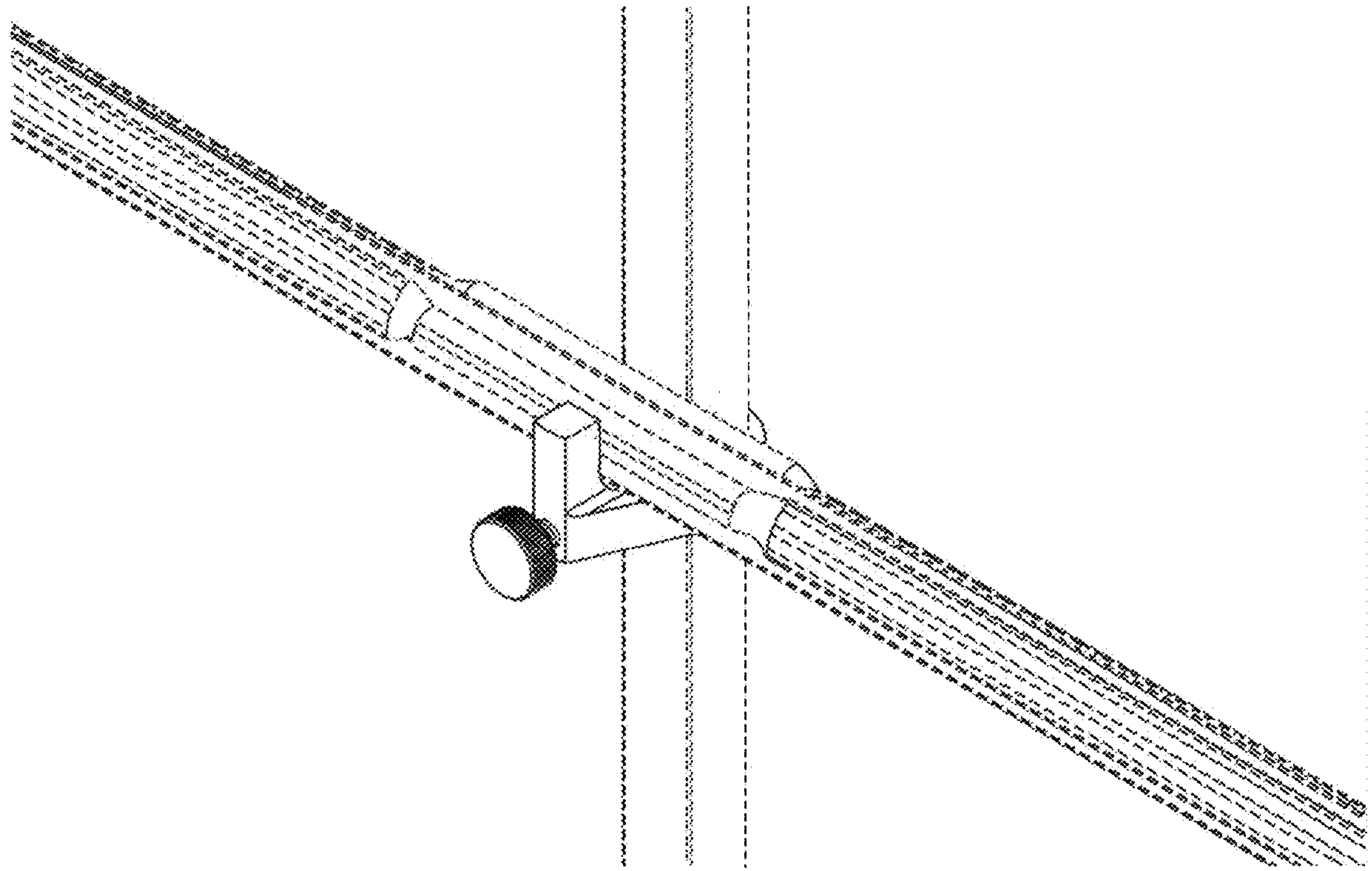


FIG. 12