



US00D901753S

(12) **United States Design Patent** (10) **Patent No.:** **US D901,753 S**  
**Christensen** (45) **Date of Patent:** **\*\* \*Nov. 10, 2020**

(54) **FLASHLIGHT GRIP**  
(71) Applicant: **Simple Products Corporation**, Draper, UT (US)  
(72) Inventor: **Brian Christensen**, Draper, UT (US)  
(73) Assignee: **Simple Products Corporation**, Draper, UT (US)  
(\* ) Notice: This patent is subject to a terminal disclaimer.  
(\*\* ) Term: **15 Years**  
(21) Appl. No.: **29/645,700**  
(22) Filed: **Apr. 27, 2018**  
(51) **LOC (12) Cl.** ..... **26-05**  
(52) **U.S. Cl.**  
USPC ..... **D26/138; D26/49**  
(58) **Field of Classification Search**  
USPC ..... D26/72, 74, 76, 78-83, 85, 86, 88, 90, D26/93, 111, 113, 118, 119, 120, 121, D26/122, 138, 139, 140, 141, 142, 152, D26/49  
CPC ..... F21S 2/00; F21S 4/00; F21S 4/003; F21S 4/005; F21S 4/006; F21S 4/007; F21S 4/008; F21S 6/00; F21S 8/00; F21S 8/024; F21S 8/026; F21S 8/031; F21S 8/033; F21S 8/035-037; F21S 8/04; F21S 8/043; F21S 8/063  
See application file for complete search history.

D483,892 S	12/2003	Poon	
D529,647 S	10/2006	Shiu	
D531,746 S	11/2006	Zhu	
D535,419 S	1/2007	Shiu	
D535,771 S	1/2007	Shiu	
D537,968 S	3/2007	Shiu	
D547,891 S	7/2007	Shiu	
D548,391 S	* 8/2007	Lecluze .....	D26/138
D548,865 S	8/2007	Meoli et al.	
D553,282 S	10/2007	Zhu	
D559,418 S	1/2008	Poon	
D568,515 S	5/2008	Liu	
D570,511 S	6/2008	Shiu	
D575,429 S	8/2008	Shiu	
D581,586 S	* 11/2008	Conroy .....	D26/138
D596,772 S	7/2009	Chang	
D625,448 S	10/2010	Brown et al.	
D629,940 S	12/2010	Osterhout	
D636,511 S	4/2011	Cen	
D641,901 S	7/2011	Opolka	

(Continued)

*Primary Examiner* — Natasha Vujcic  
(74) *Attorney, Agent, or Firm* — Thorpe North & Western, LLP

(57) **CLAIM**

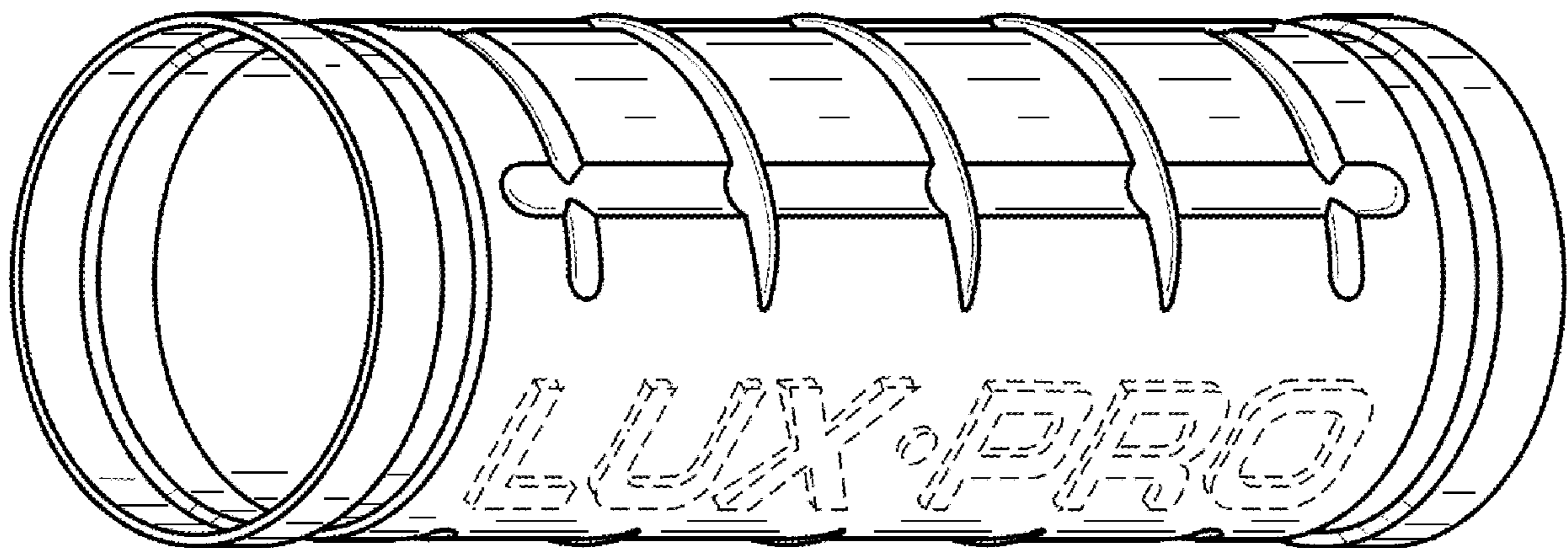
The ornamental design for a flashlight grip, as shown and described.

**DESCRIPTION**

FIG. 1 is a left front perspective view of a flashlight grip in accordance with my invention;  
FIG. 2 is a right front perspective view thereof;  
FIG. 3 is a front view thereof;  
FIG. 4 is a back view thereof;  
FIG. 5 is a top view thereof;  
FIG. 6 is a bottom view thereof;  
FIG. 7 is a left view thereof; and,  
FIG. 8 is a right view thereof.  
The broken lines in the drawings illustrate portions of the flashlight grip which form no part of the claimed design.

**1 Claim, 3 Drawing Sheets**

(56) **References Cited**  
U.S. PATENT DOCUMENTS  
D326,927 S \* 6/1992 Catalina ..... D26/138  
D333,012 S \* 2/1993 Fleming ..... D26/138  
D345,814 S \* 4/1994 Wright, III ..... D26/138  
D422,744 S \* 4/2000 Losole, III ..... D26/138  
D422,745 S \* 4/2000 Losole, III ..... D26/138



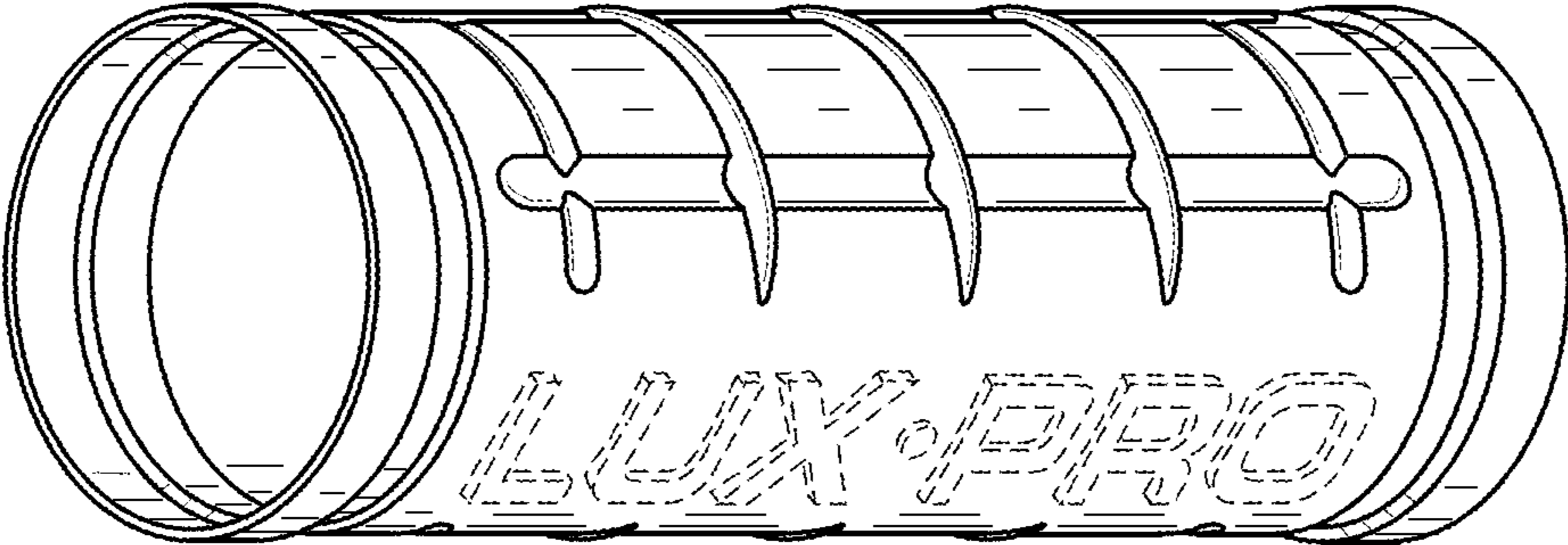
(56)

**References Cited**

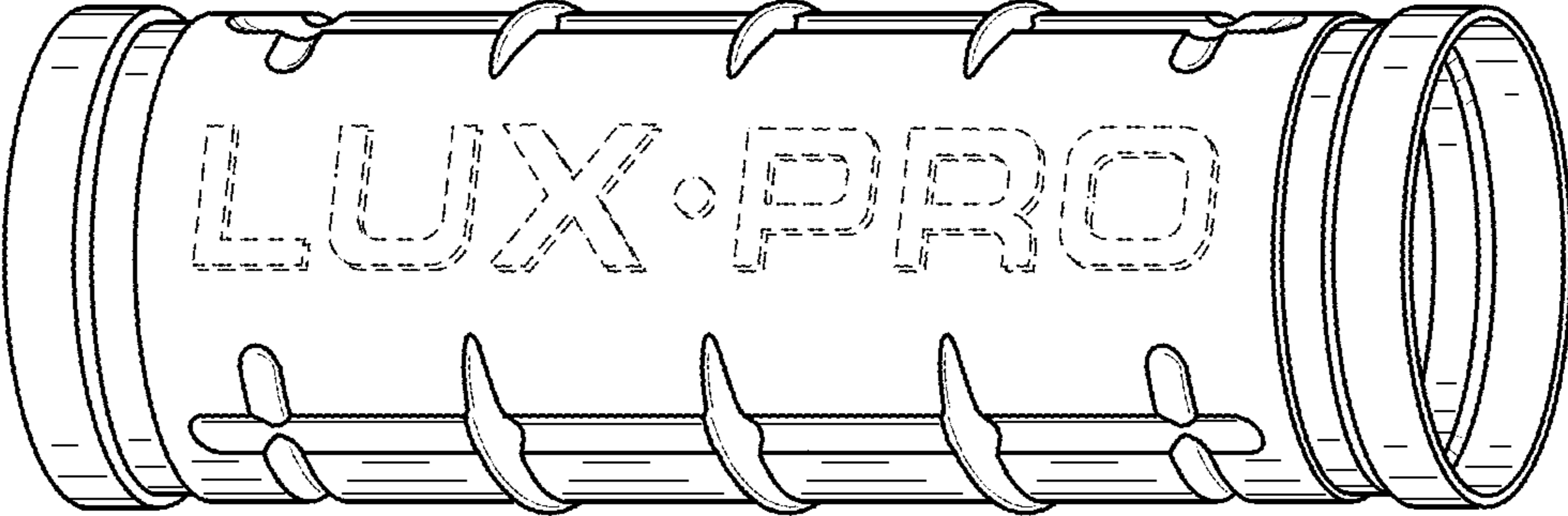
U.S. PATENT DOCUMENTS

D643,561	S	8/2011	Maglica	
D650,104	S	12/2011	Brands et al.	
D667,578	S	9/2012	Milz et al.	
D673,315	S	12/2012	Milz et al.	
D706,476	S *	6/2014	Lee .....	D26/49
D707,378	S	6/2014	Shiu	
D709,232	S	7/2014	Inskeep	
D709,643	S *	7/2014	Kohler .....	D26/138
D710,526	S	8/2014	Lee	
D717,481	S	11/2014	Yong	
D726,945	S	4/2015	Kunzendorf	
D743,601	S	11/2015	Maglica	
9,217,547	B2	12/2015	Sharrah	
D749,254	S *	2/2016	Robinson .....	D26/37
D752,273	S *	3/2016	Pratt .....	D10/104.1
D777,371	S *	1/2017	Yang .....	D26/142
D784,601	S *	4/2017	Yang .....	D26/138
D786,466	S	5/2017	Prieto	
D794,237	S	8/2017	Christensen	
D794,857	S	8/2017	Sharrah et al.	
D799,089	S *	10/2017	Green .....	D26/49
D805,668	S *	12/2017	Shirley .....	D26/49
D809,687	S	2/2018	Krantz et al.	
D809,688	S	2/2018	Christensen	
D810,337	S	2/2018	Eichelberger	
D818,185	S *	5/2018	Wilson .....	D26/138
D818,622	S	5/2018	Kunzendorf	
D823,506	S	7/2018	Shiu	
D827,894	S	9/2018	Huang	
D844,201	S	3/2019	Khubani	
D850,683	S	6/2019	Shelton	

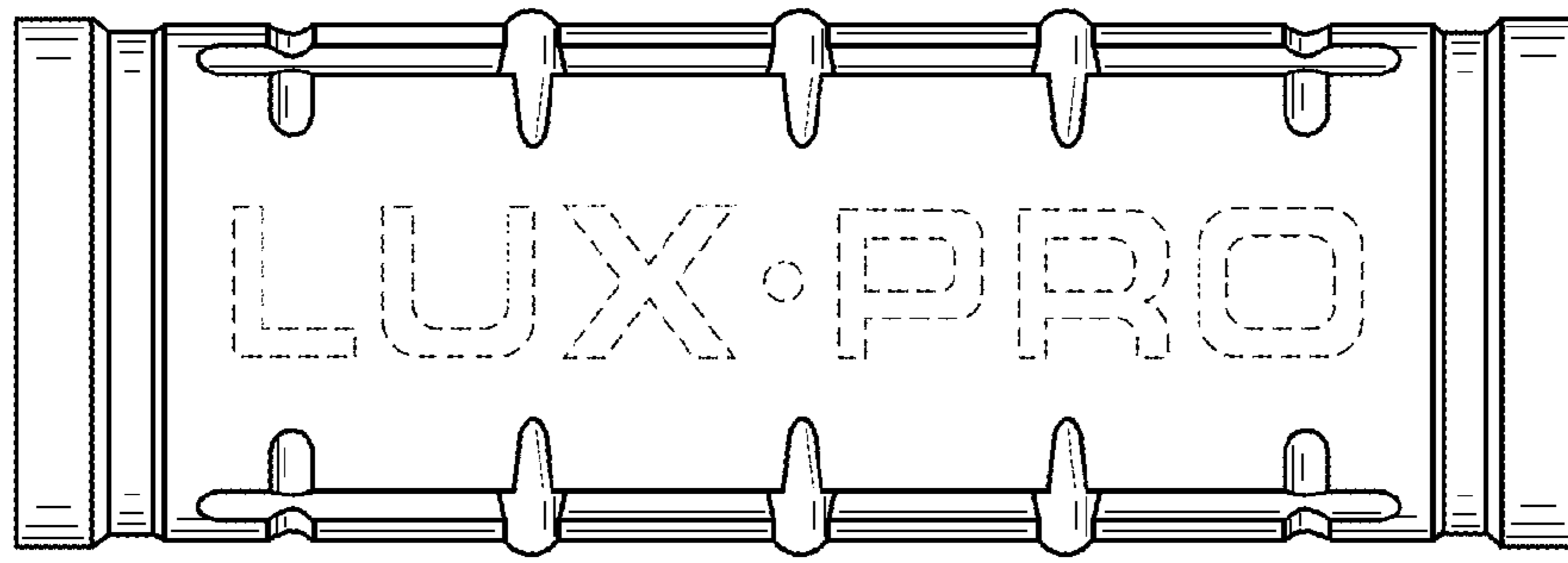
\* cited by examiner



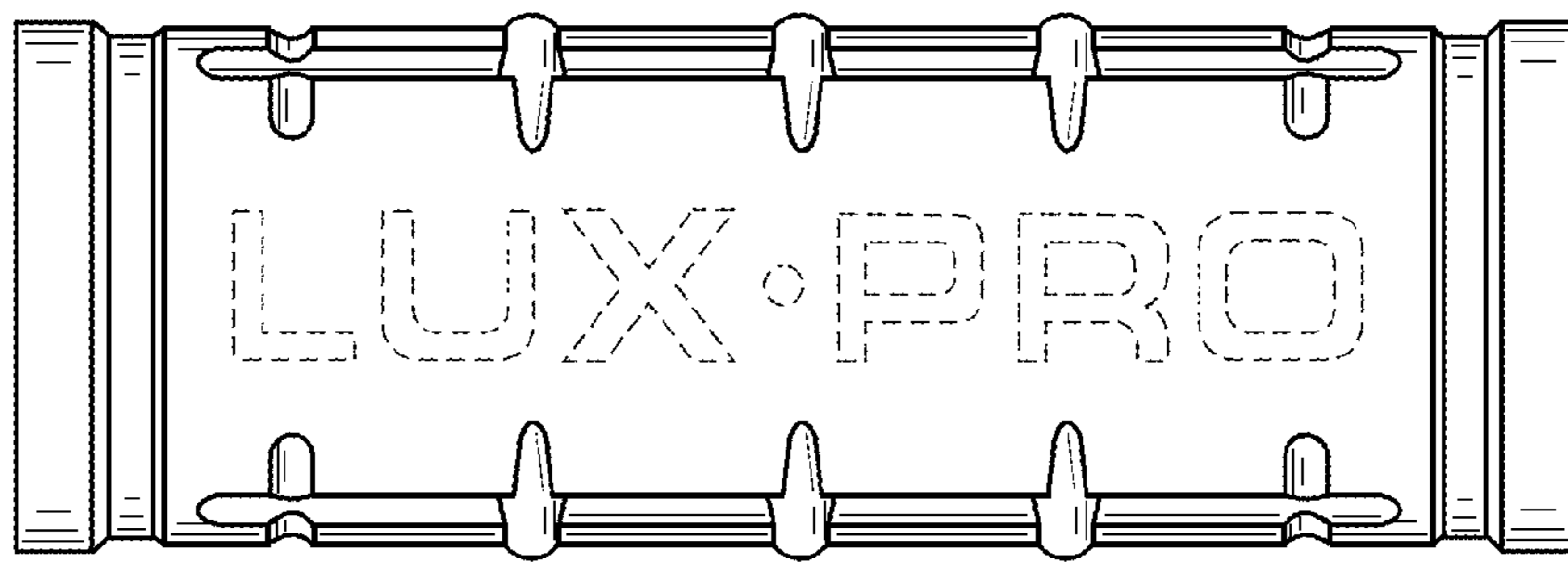
**FIG. 1**



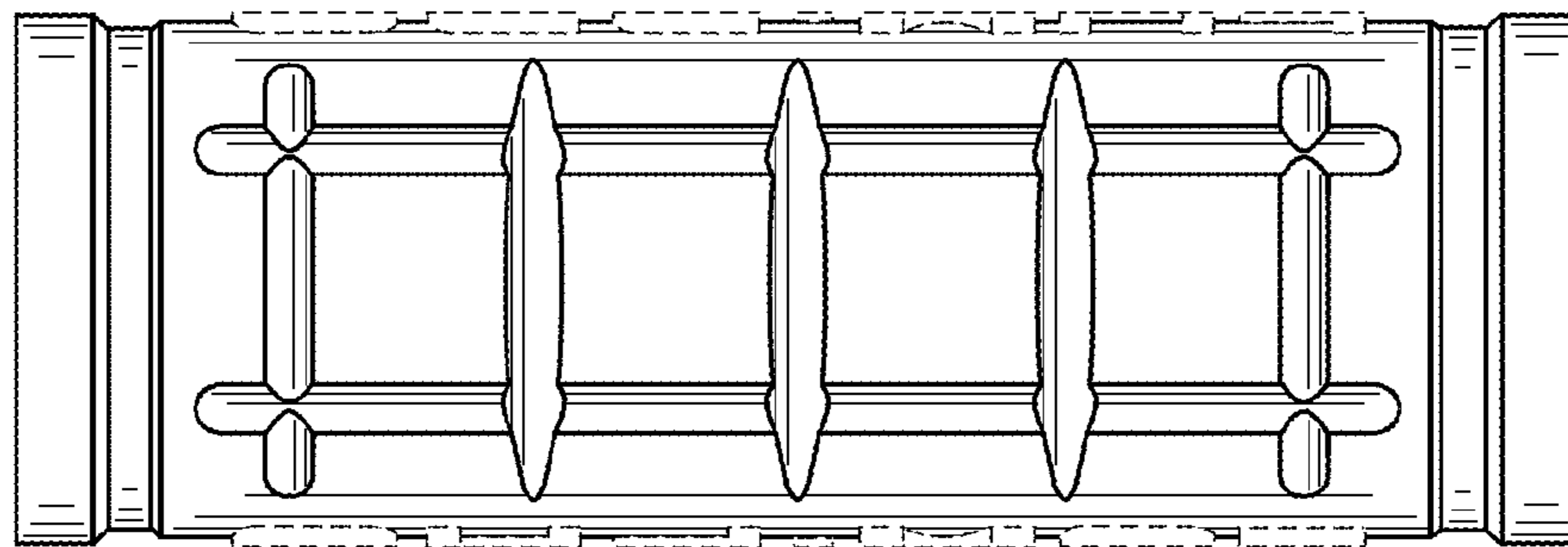
**FIG. 2**



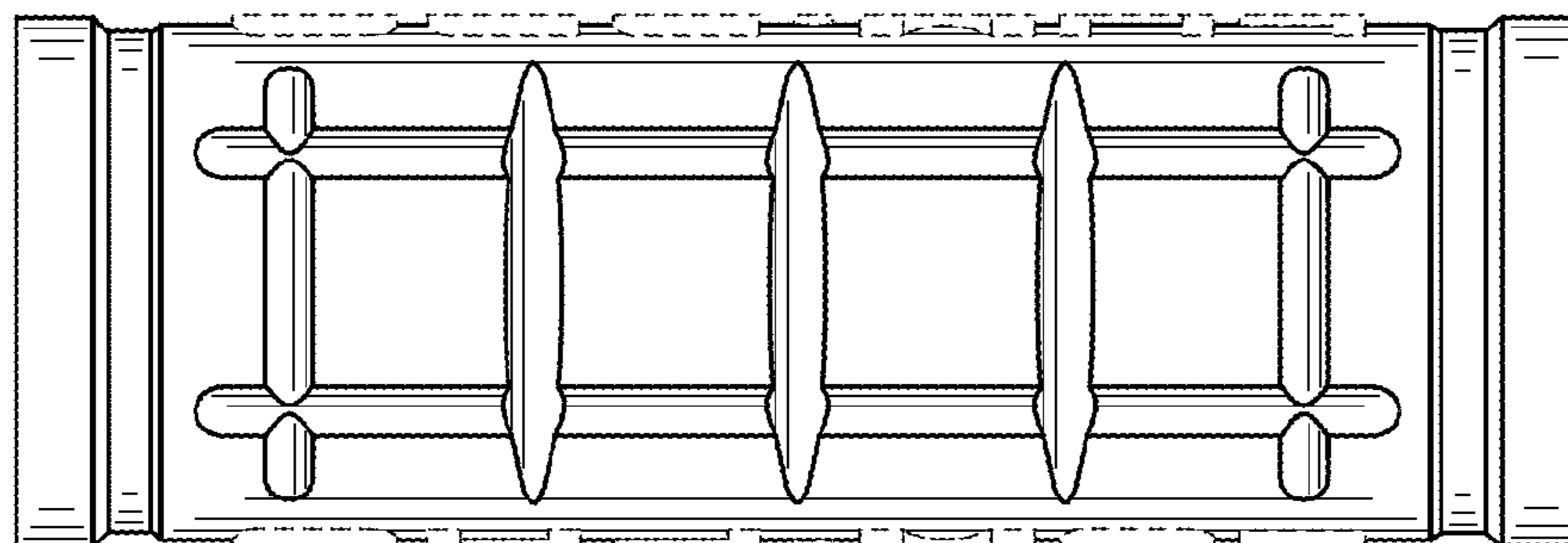
**FIG. 3**



**FIG. 4**

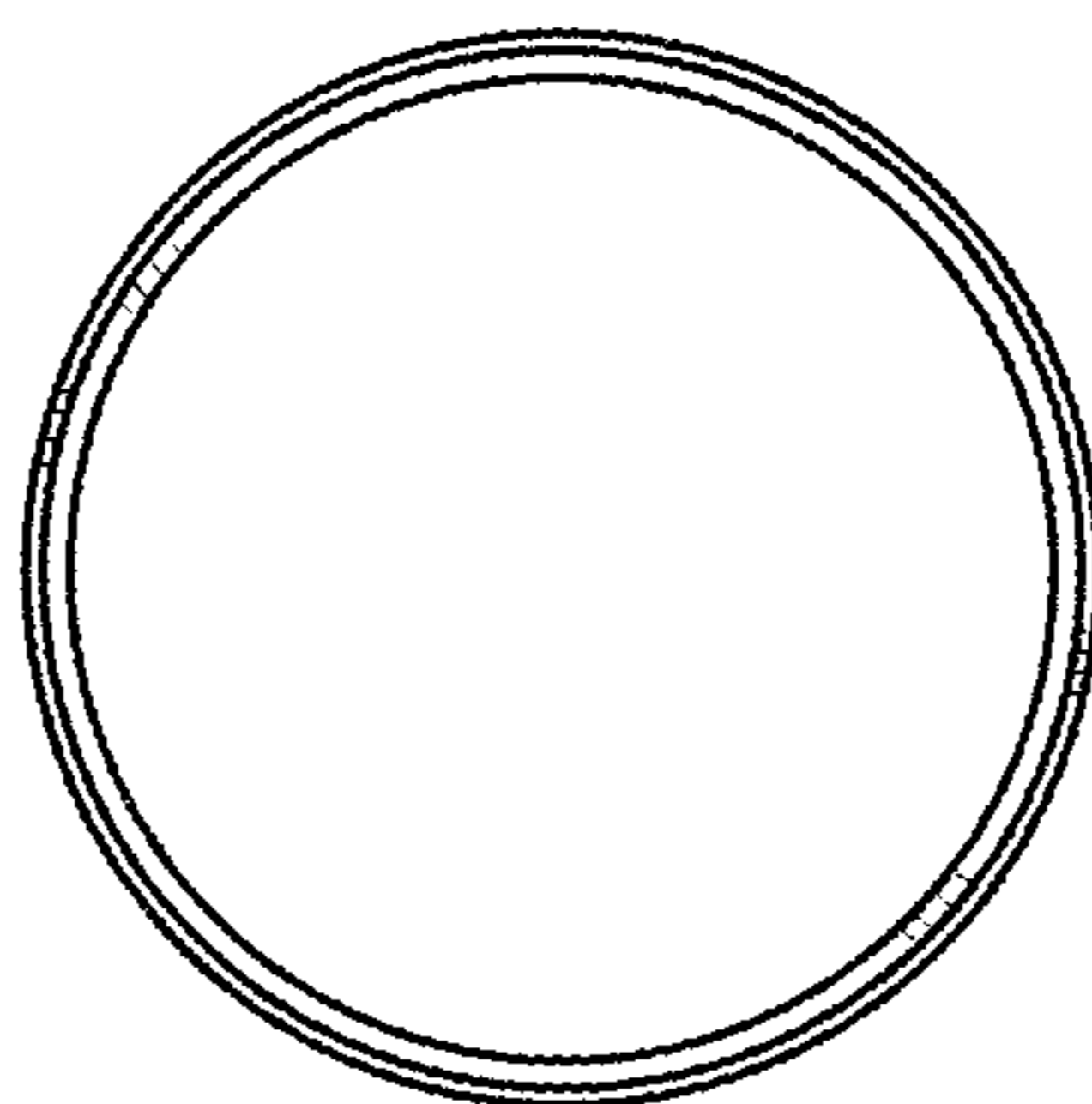


**FIG. 5**

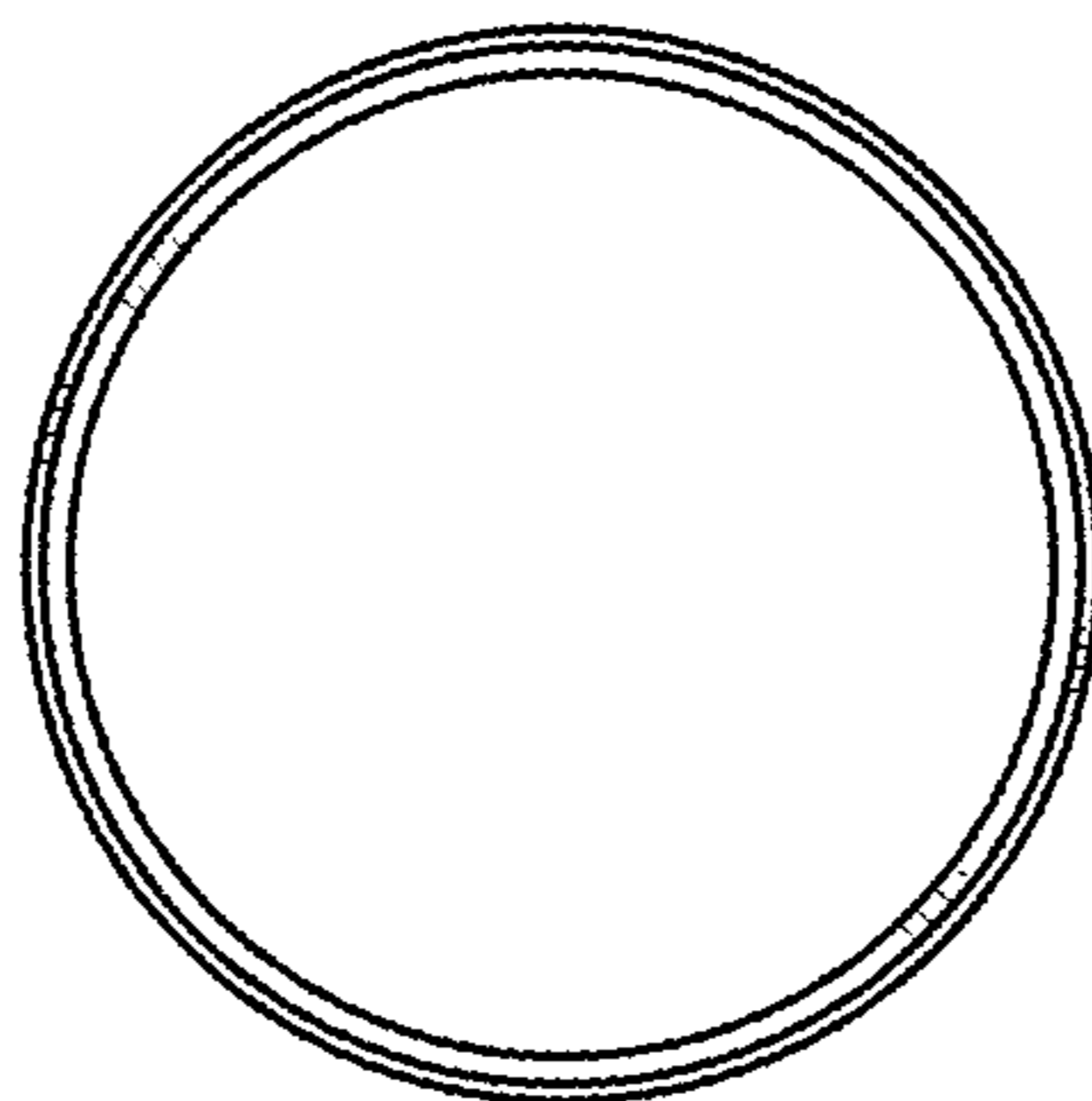


**FIG. 6**





**FIG. 7**



**FIG. 8**