



US00D901749S

(12) **United States Design Patent** (10) **Patent No.:** **US D901,749 S**
Chen (45) **Date of Patent:** **** Nov. 10, 2020**

(54) **COMBINED RING LIGHT WITH TRIPOD**

D887,052 S * 6/2020 Xu D26/39
D887,590 S * 6/2020 Ke D26/1
D888,814 S * 6/2020 Chen D16/244
D895,877 S * 9/2020 Kaiser D26/72
2016/0069548 A1* 3/2016 Wessel F21S 9/02
362/183

(71) Applicant: **Wenzhou Micro Research & Development Investing Co., Ltd.**, Zhejiang (CN)

(72) Inventor: **Zhuangxiaoyi Chen**, Guangdong (CN)

* cited by examiner

(**) Term: **15 Years**

Primary Examiner — Wan Laymon
Assistant Examiner — Clint A Samuel

(21) Appl. No.: **29/737,233**

(22) Filed: **Jun. 8, 2020**

(57) **CLAIM**

(51) **LOC (12) Cl.** **26-05**

The ornamental design for a combined ring light with tripod, as shown and described.

(52) **U.S. Cl.**

USPC **D26/106**; D16/237

(58) **Field of Classification Search**

DESCRIPTION

USPC ... D26/1, 24, 39, 60, 61, 63, 64, 65, 72, 79, D26/92, 106, 111, 113, 118, 120, 123, D26/124; D16/237, 239, 244, 245, 250
CPC F21V 21/14; F21V 21/30; F21V 21/096; F21V 15/01; F21V 12/02; F21V 1/06; F21V 1/12; F21S 8/003; F21S 8/043; G03B 2215/0539; G03B 2215/0575; G03B 17/56; G03B 17/565

See application file for complete search history.

FIG. 1 is a front and top perspective view of a combined ring light with tripod, showing my new design;
FIG. 2 is a rear and bottom perspective view thereof;
FIG. 3 is a front elevational view thereof;
FIG. 4 is a rear elevational view thereof;
FIG. 5 is a left side elevational view thereof;
FIG. 6 is a right side elevational view thereof;
FIG. 7 is a top plan view thereof;
FIG. 8 is a bottom plan view thereof;
FIG. 9 is an enlarged view of a portion indicated with numeric 9 in FIG. 1; and,
FIG. 10 is an enlarged view of a portion indicated with numeric 10 in FIG. 1.

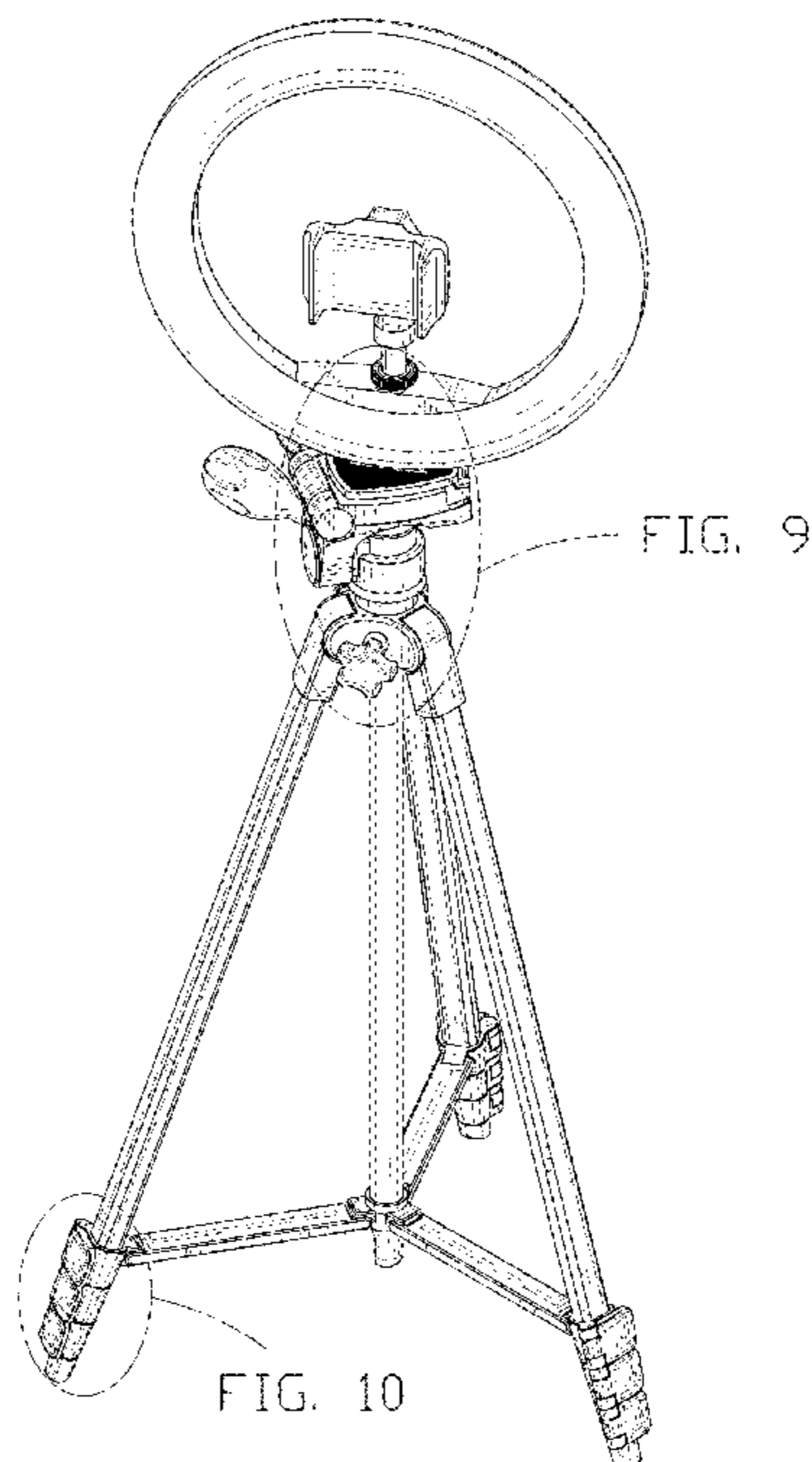
(56) **References Cited**

U.S. PATENT DOCUMENTS

D690,457 S * 9/2013 Lu D26/118
D718,365 S 11/2014 Kim et al.
D827,180 S * 8/2018 Mou D26/72
D855,242 S * 7/2019 Chen D26/106
D860,485 S * 9/2019 Yu D26/24
D873,328 S * 1/2020 Shen D16/239
D877,392 S * 3/2020 Yu D26/79
D882,843 S * 4/2020 Kaiser D26/60
D886,360 S * 6/2020 Xu D26/106

The broken lines in the figures illustrate portions of the combined ring light with tripod that form no part of the claimed design. The dash dot dash lines in FIGS. 1, 9 and 10 are for the purpose of depicting the cut line of the enlarged view and form no part of the claim.

1 Claim, 10 Drawing Sheets



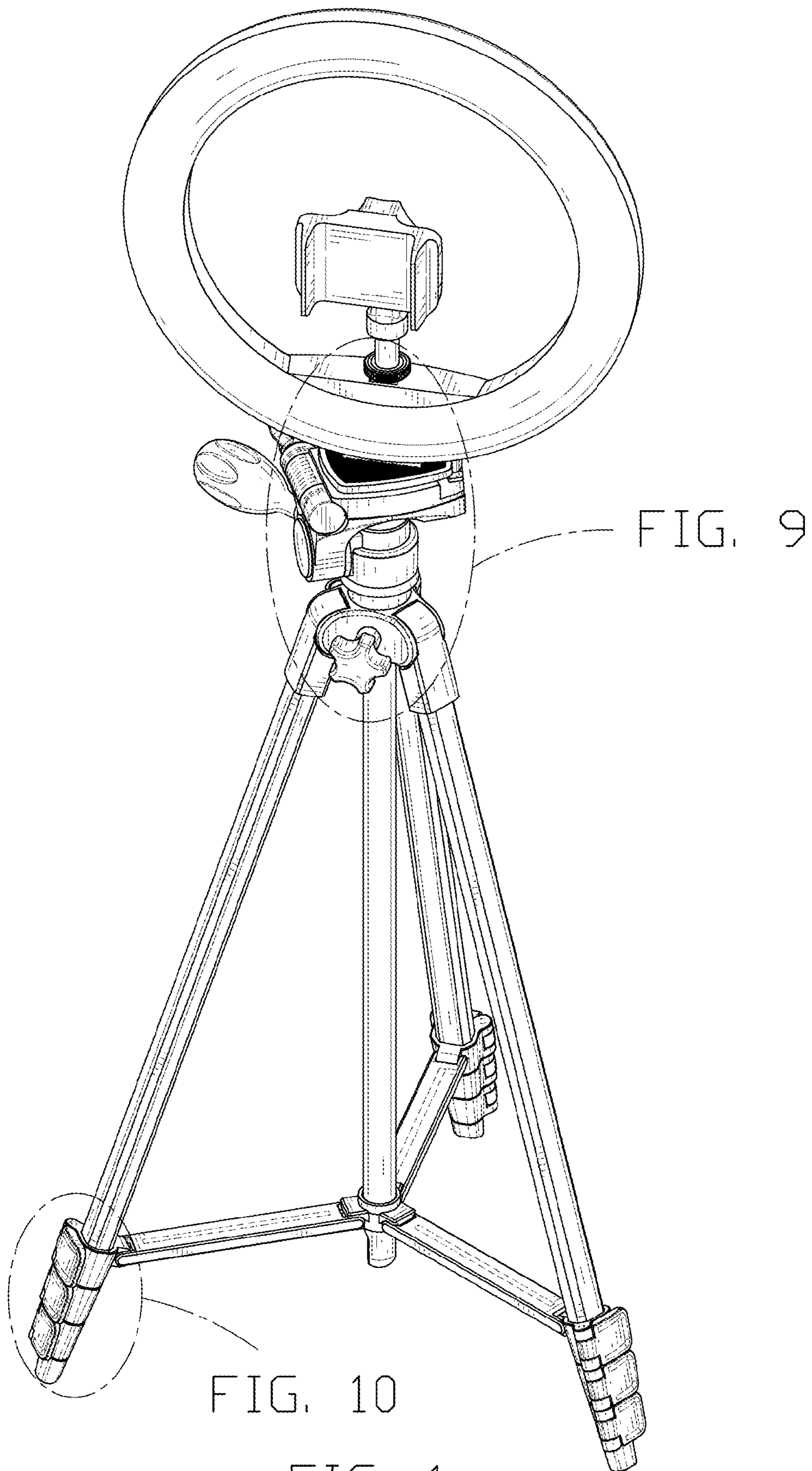


FIG. 10

FIG. 1

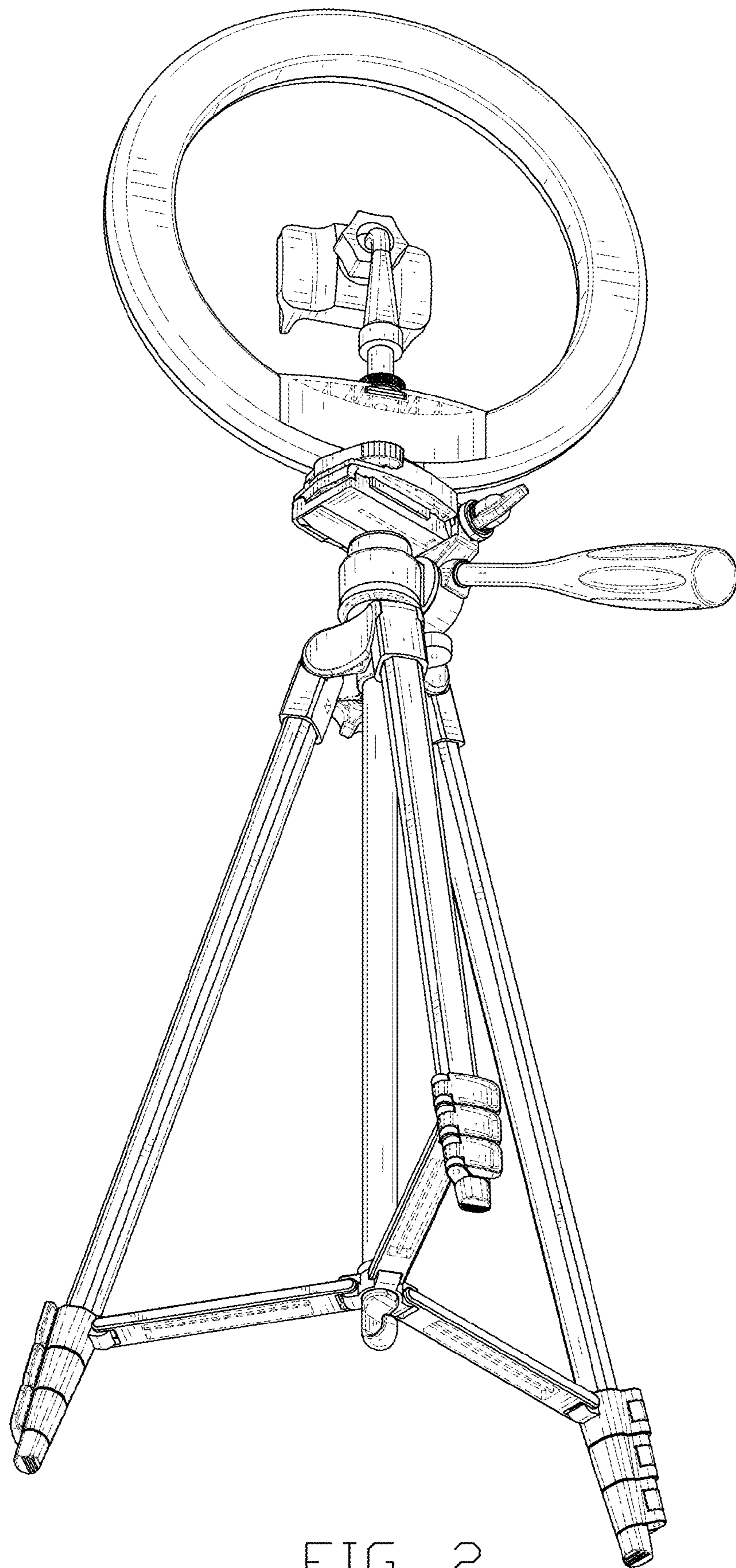


FIG. 2

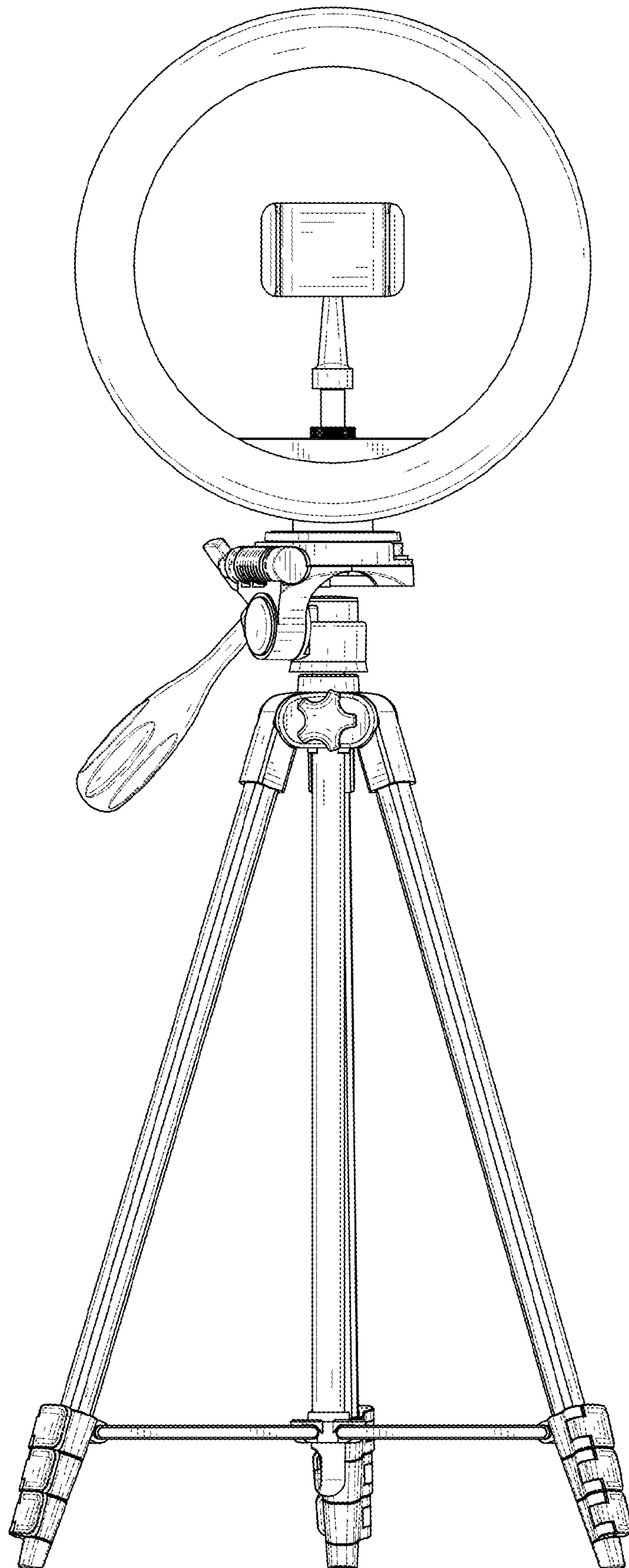


FIG. 3

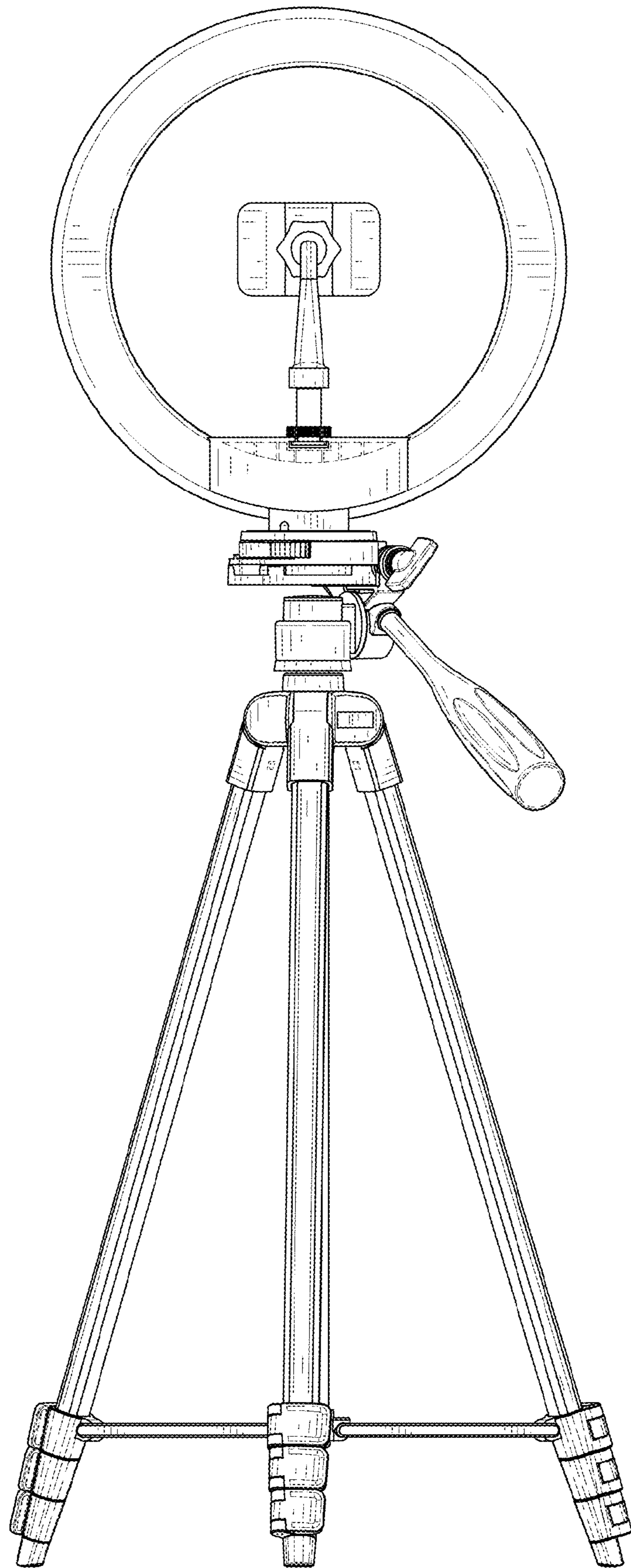


FIG. 4

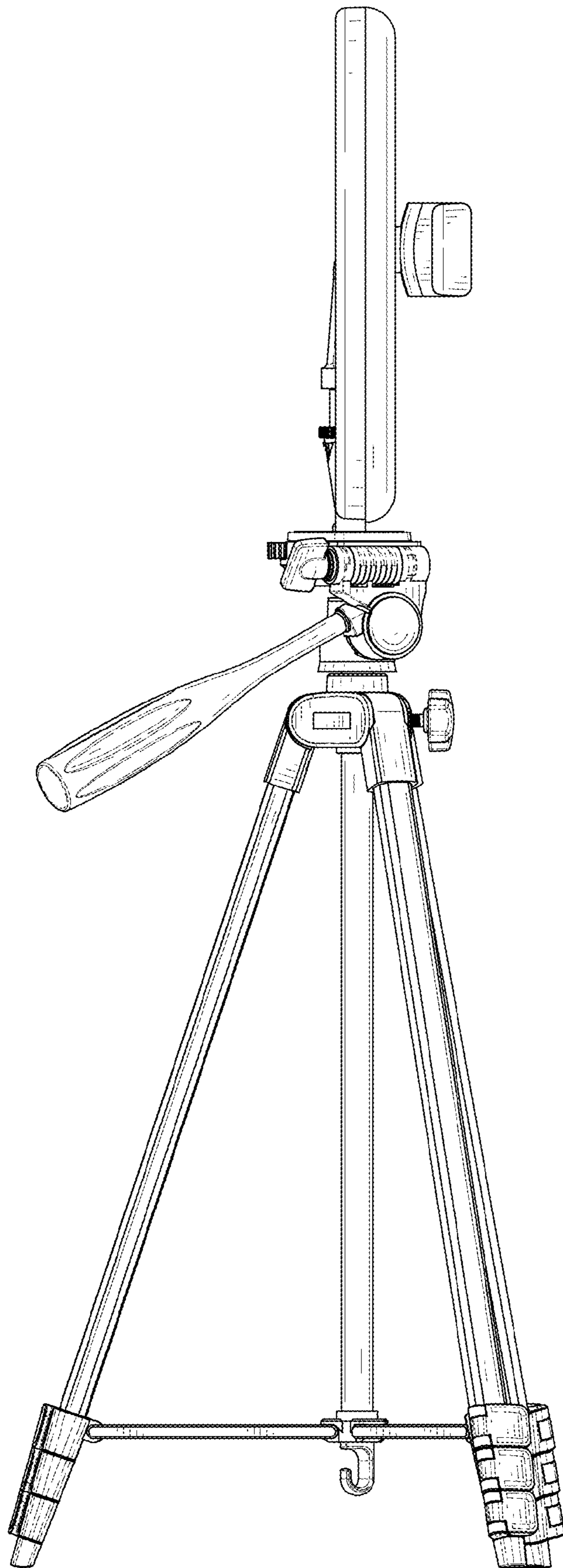


FIG. 5

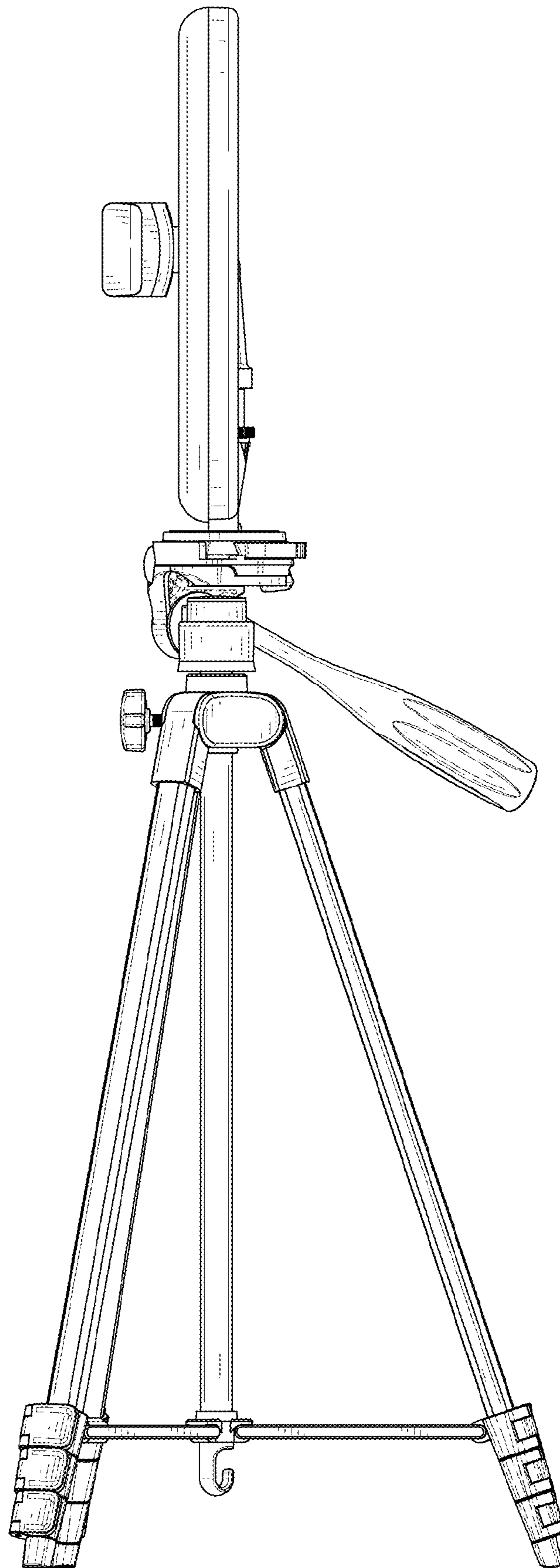


FIG. 6

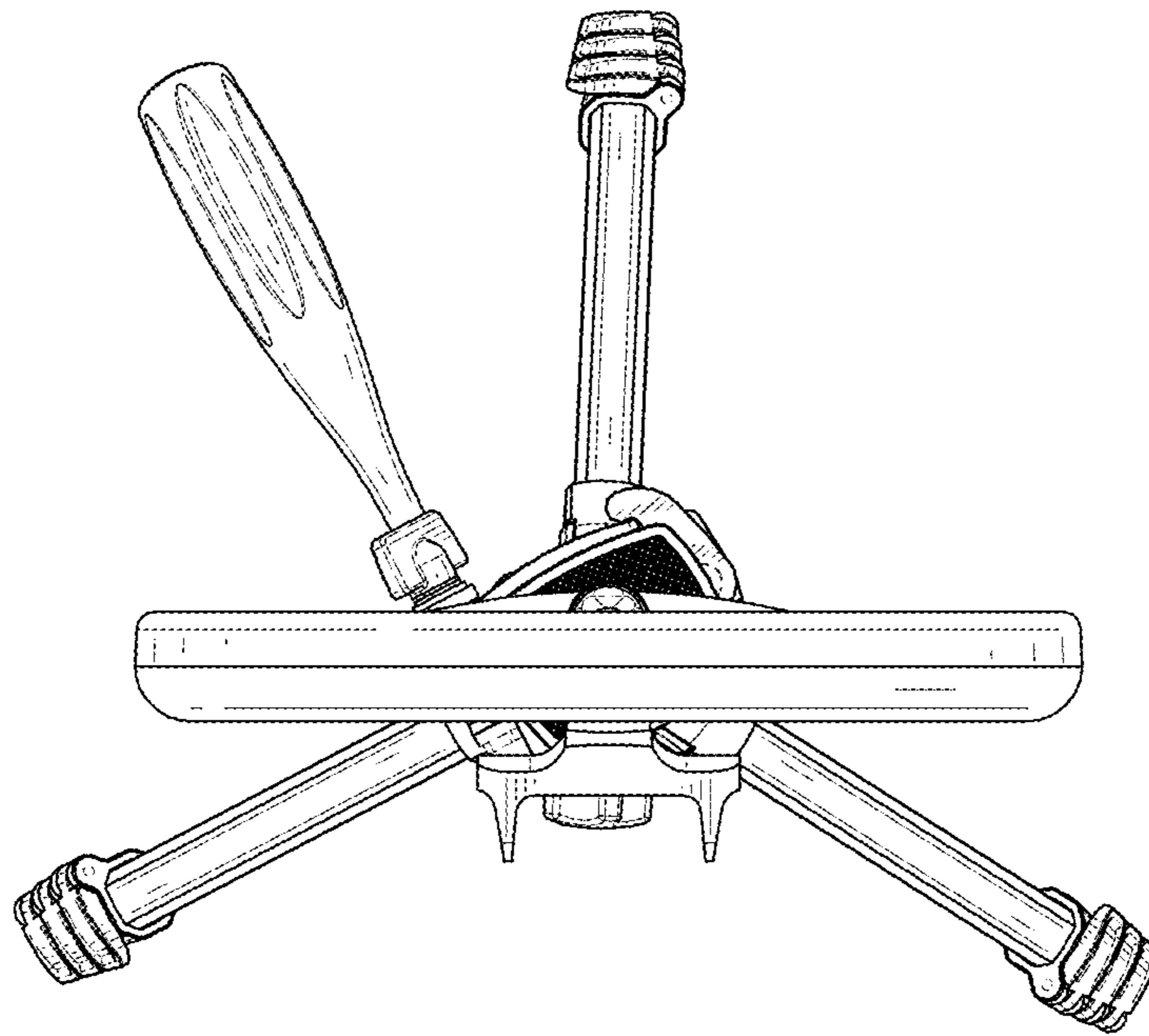


FIG. 7

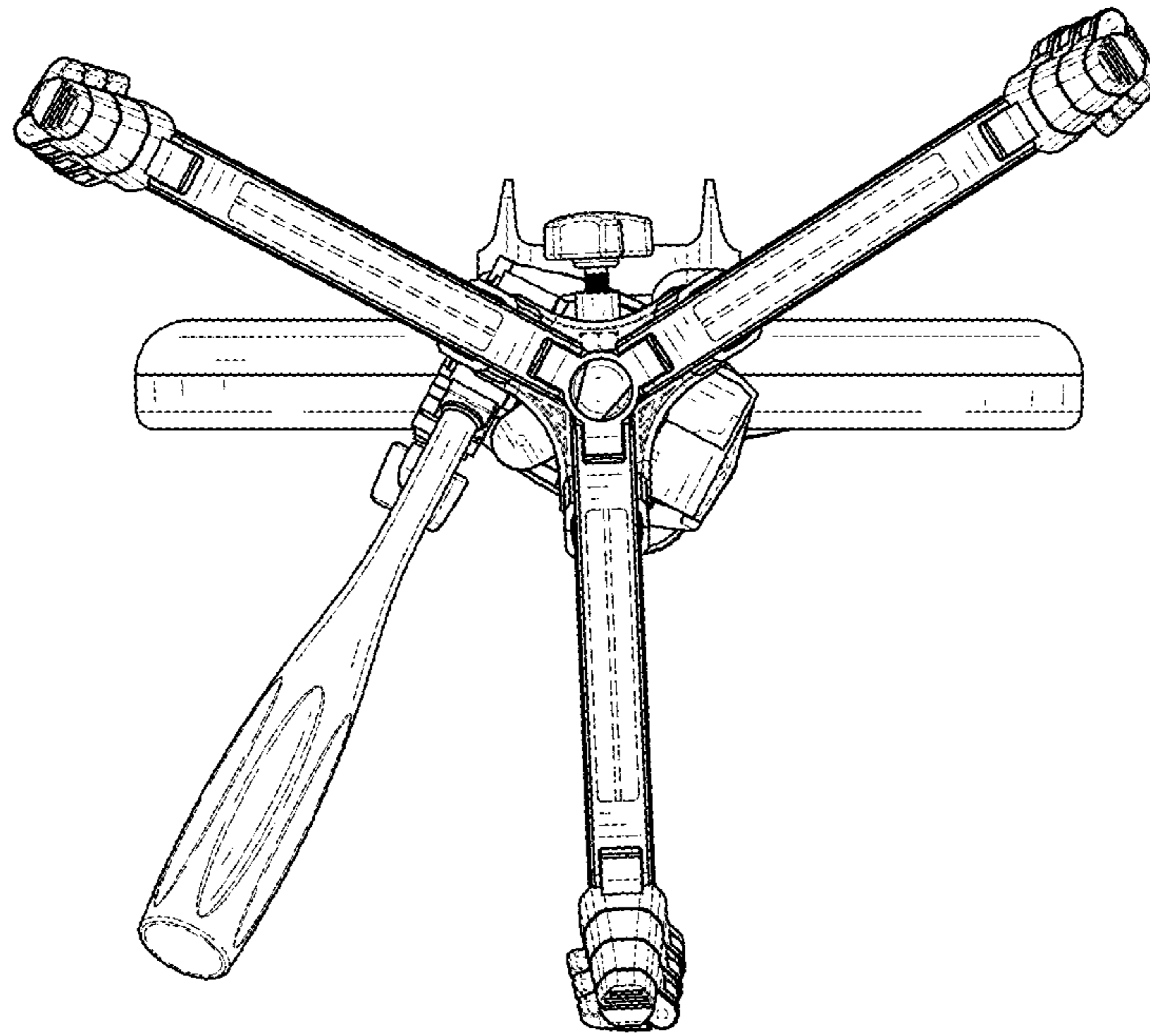


FIG. 8

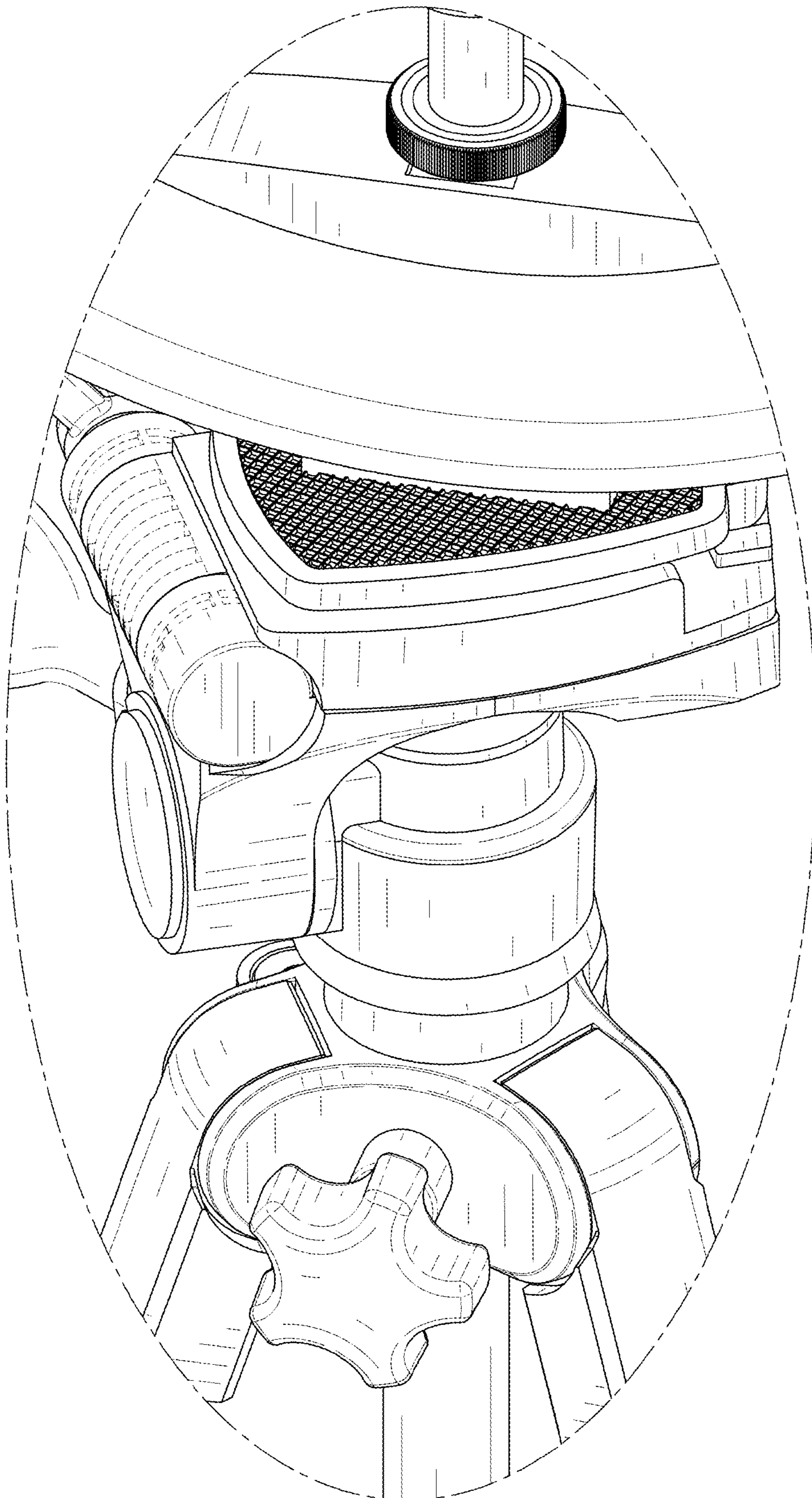


FIG. 9

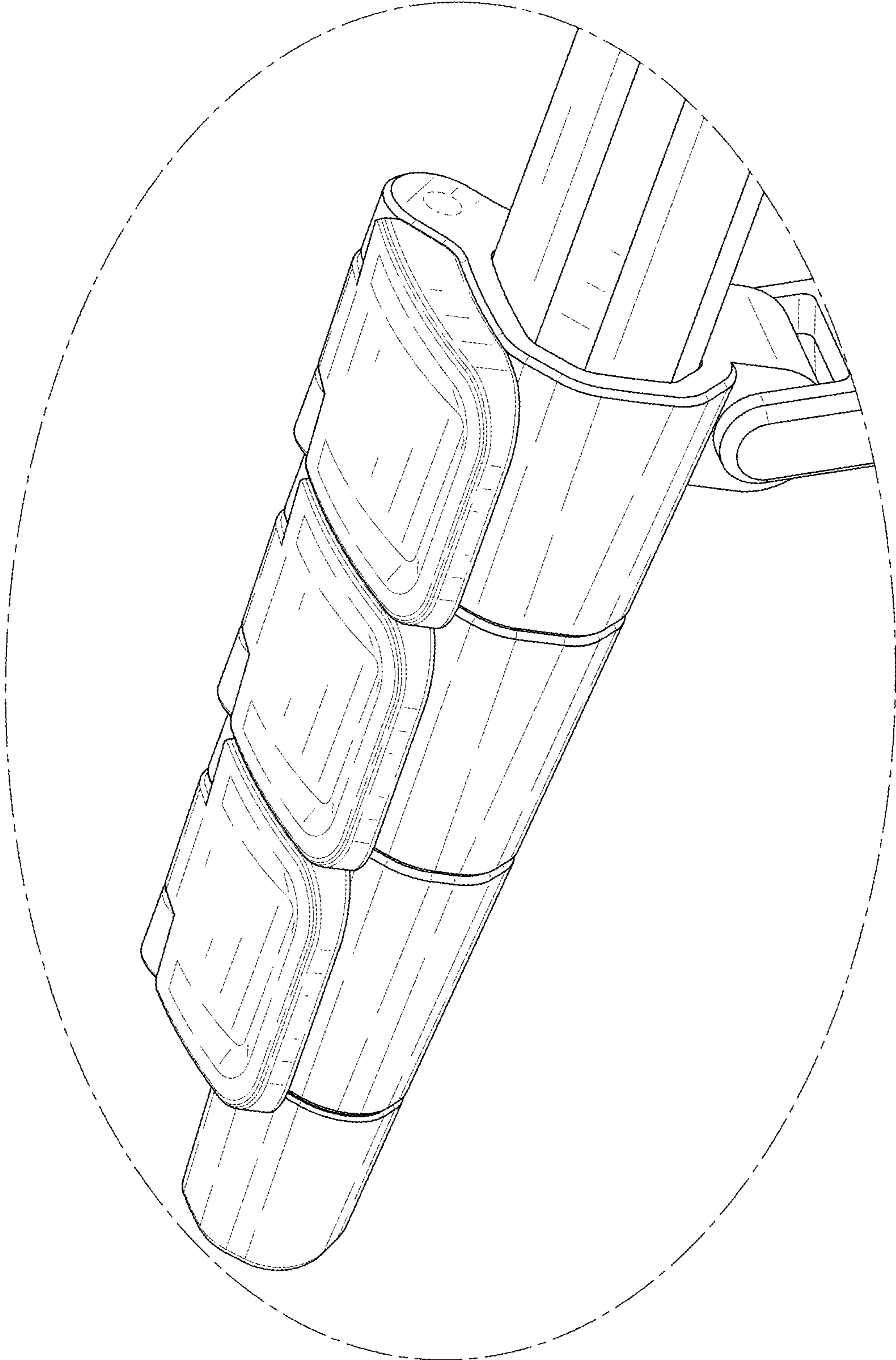


FIG. 10