



US00D901748S

(12) **United States Design Patent** (10) **Patent No.:** **US D901,748 S**
Wang (45) **Date of Patent:** **** Nov. 10, 2020**

(54) **CANDLE LAMP**
(71) Applicant: **Xinmin Wang**, Shenzhen (CN)
(72) Inventor: **Xinmin Wang**, Shenzhen (CN)
(73) Assignee: **SHENZHEN TECHLONG CO., LTD.**, Shenzhen (CN)
(**) Term: **15 Years**
(21) Appl. No.: **29/682,208**
(22) Filed: **Mar. 4, 2019**
(51) **LOC (12) Cl.** **26-03**
(52) **U.S. Cl.**
USPC **D26/96**
(58) **Field of Classification Search**
USPC D26/4, 5, 6, 7, 9, 94, 96
CPC F21S 6/00; F21S 6/001; F21S 10/04; F21S 10/10; F21S 10/043; F21S 8/08; F21S 48/115; F21V 21/00; F21V 35/00; F21V 21/10; F21W 2121/00; C11C 5/002; C11C 5/004
See application file for complete search history.

(56) **References Cited**
U.S. PATENT DOCUMENTS
D748,843 S * 2/2016 Thompson D26/96
D757,336 S * 5/2016 Li D26/96

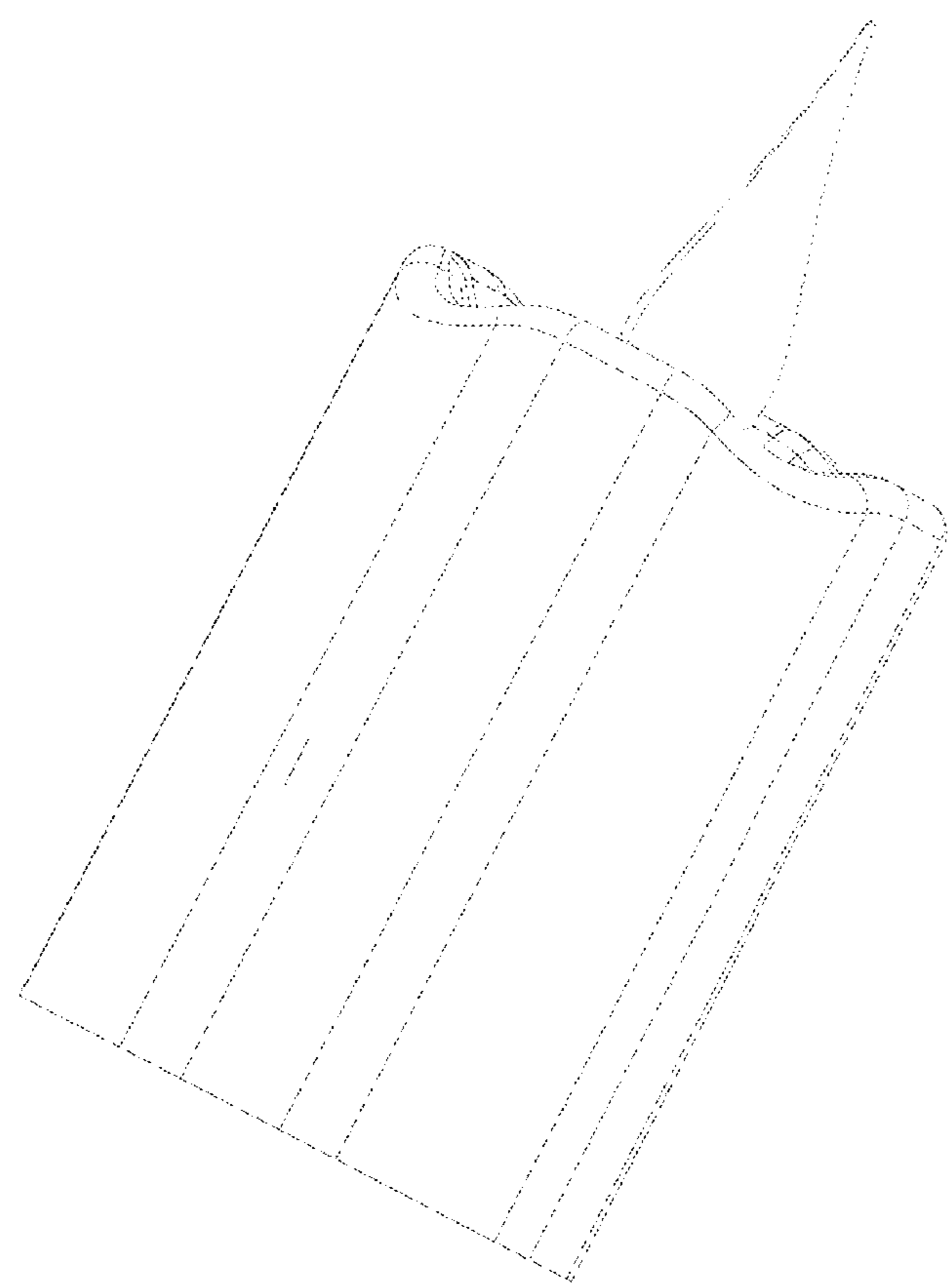
D759,879 S * 6/2016 Li D26/96
D760,424 S * 6/2016 Li D26/96
D763,479 S * 8/2016 Li D26/96
D788,352 S * 5/2017 Patton D26/96
D793,615 S * 8/2017 Patton D26/96
D812,286 S * 3/2018 Rodriguez D26/113
D830,613 S * 10/2018 Li D26/96
D835,831 S * 12/2018 Ding D26/96
D848,660 S * 5/2019 Li D26/96
D857,281 S * 8/2019 Zhong D26/96
D877,396 S * 3/2020 Li D26/96

* cited by examiner
Primary Examiner — Brian N. Vinson

(57) **CLAIM**
The ornamental design for a candle lamp, as shown and described.

DESCRIPTION
FIG. 1 is a perspective view generally taken from one side of a candle lamp showing the design;
FIG. 2 is a front elevational view thereof;
FIG. 3 is a left side elevational view thereof;
FIG. 4 is a right side elevational view thereof; and,
FIG. 5 is a top plan view thereof.

1 Claim, 5 Drawing Sheets



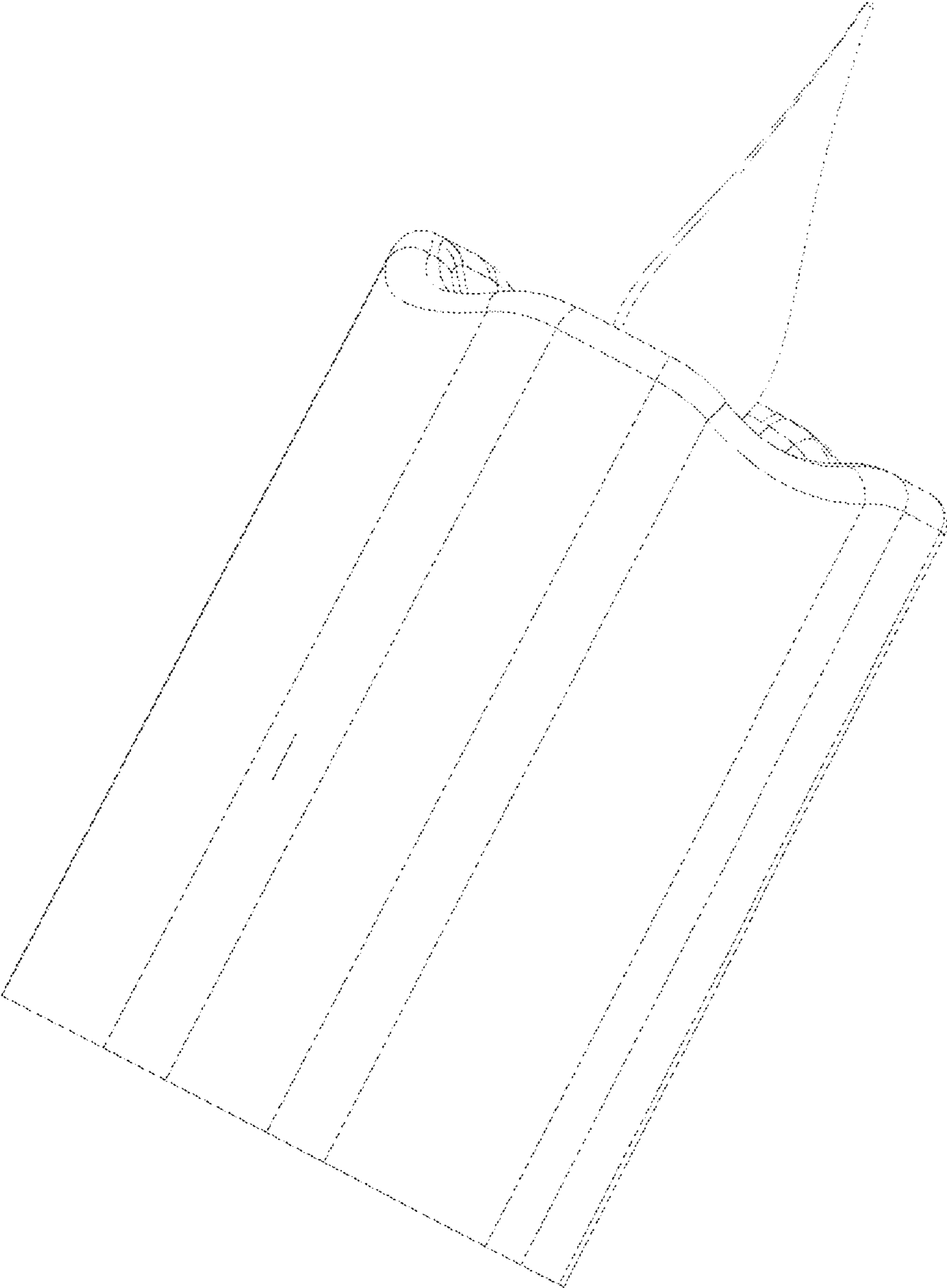


FIG.1

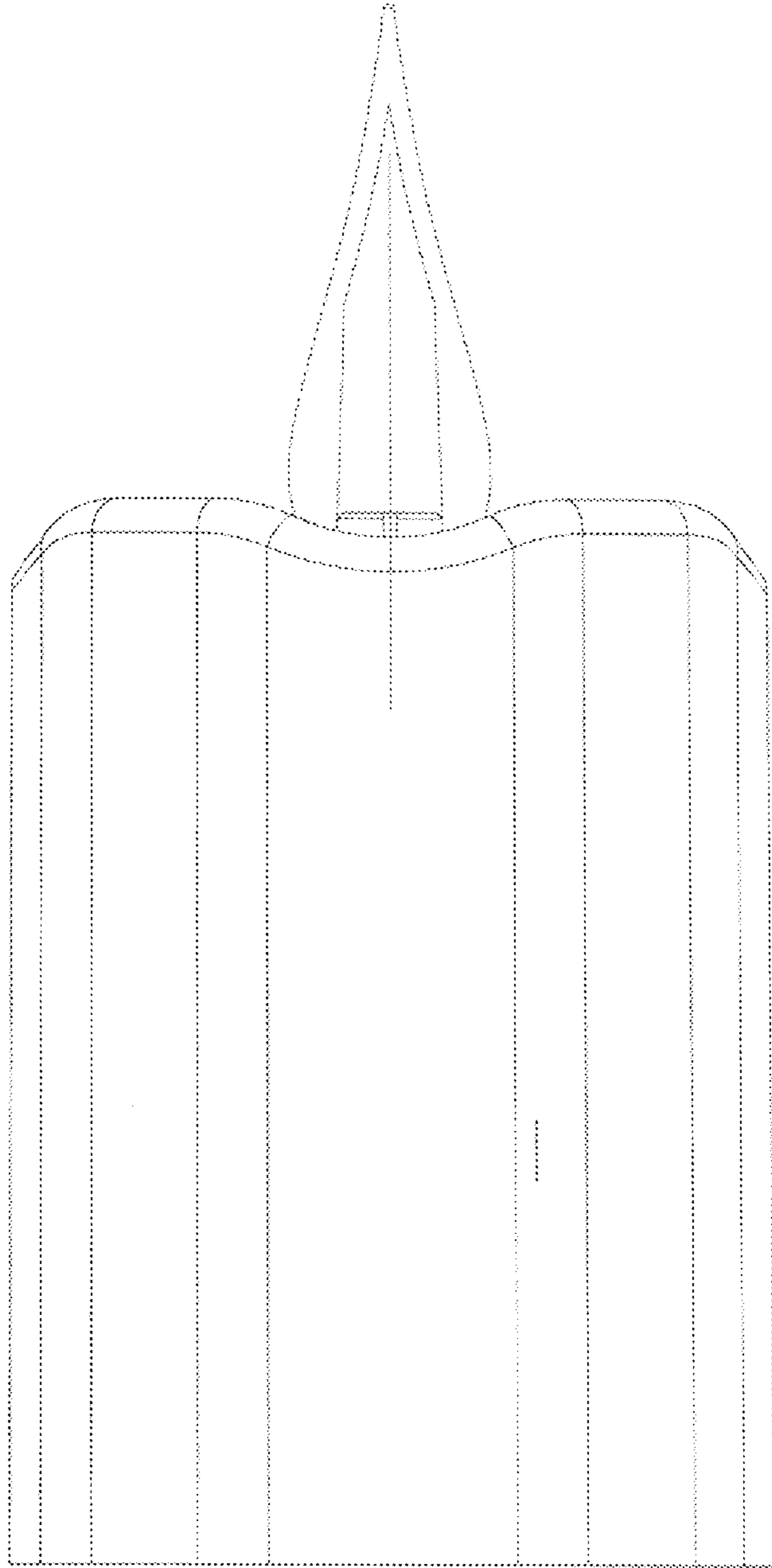


FIG.2

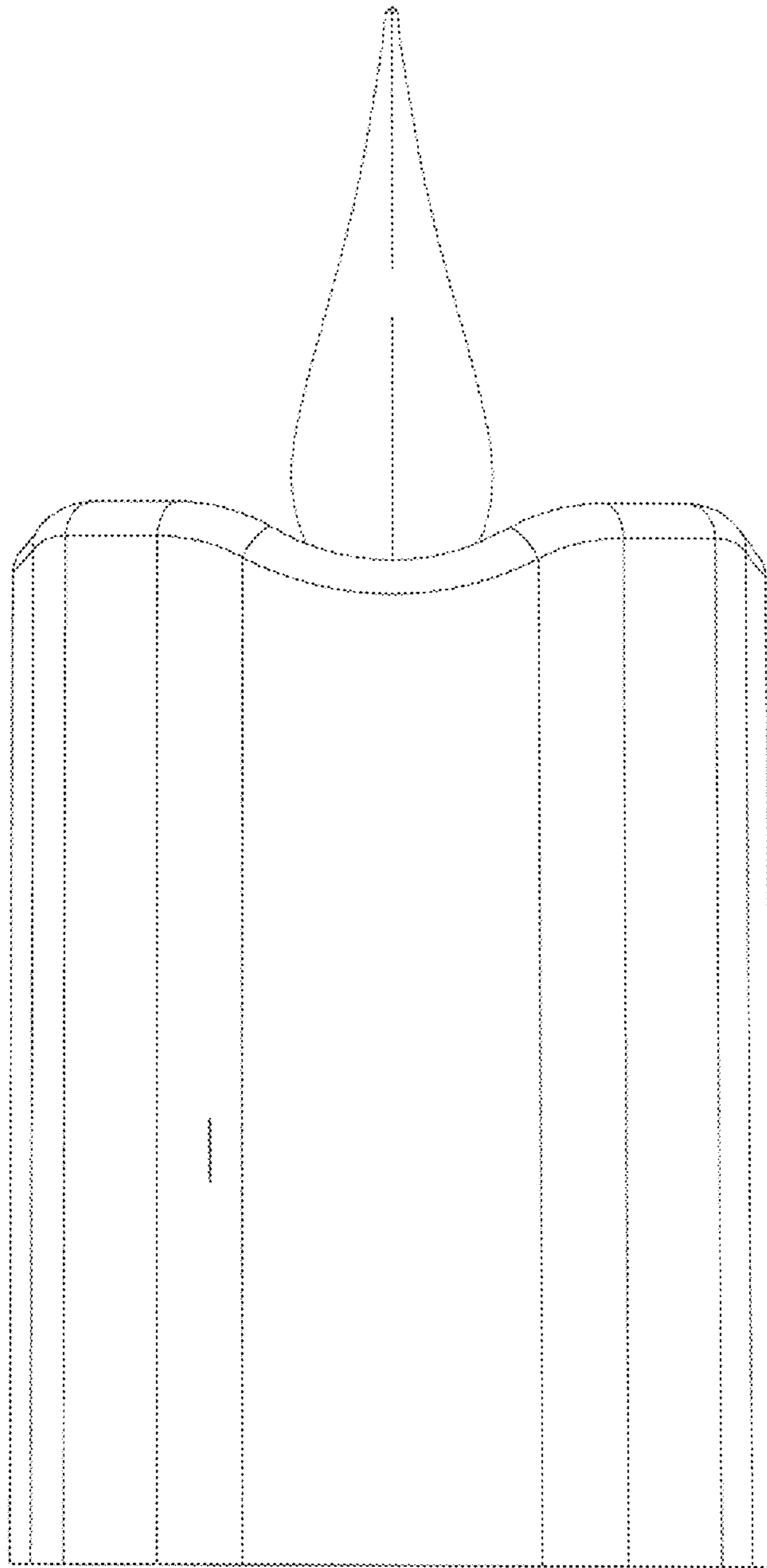


FIG.3

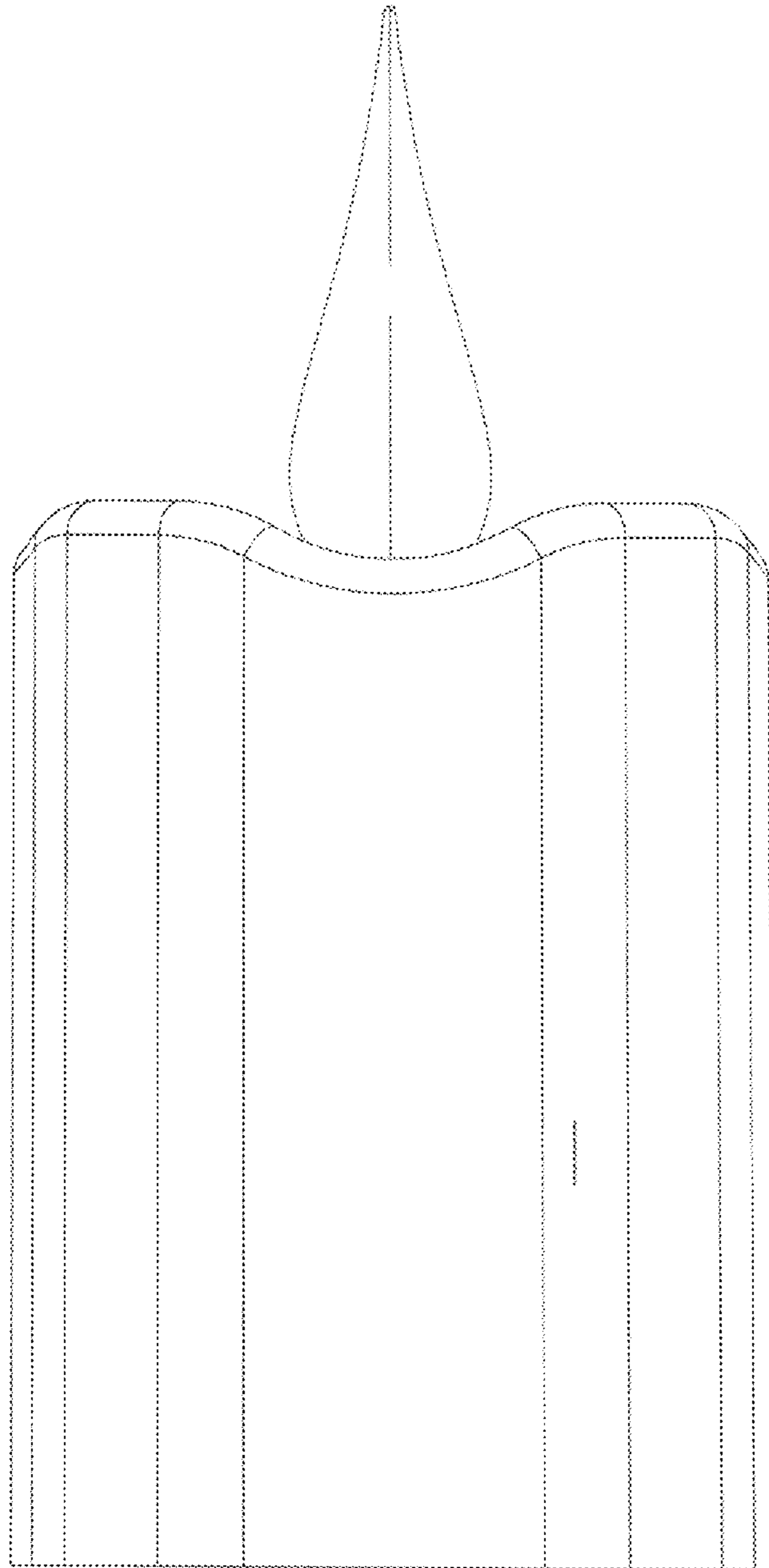


FIG.4

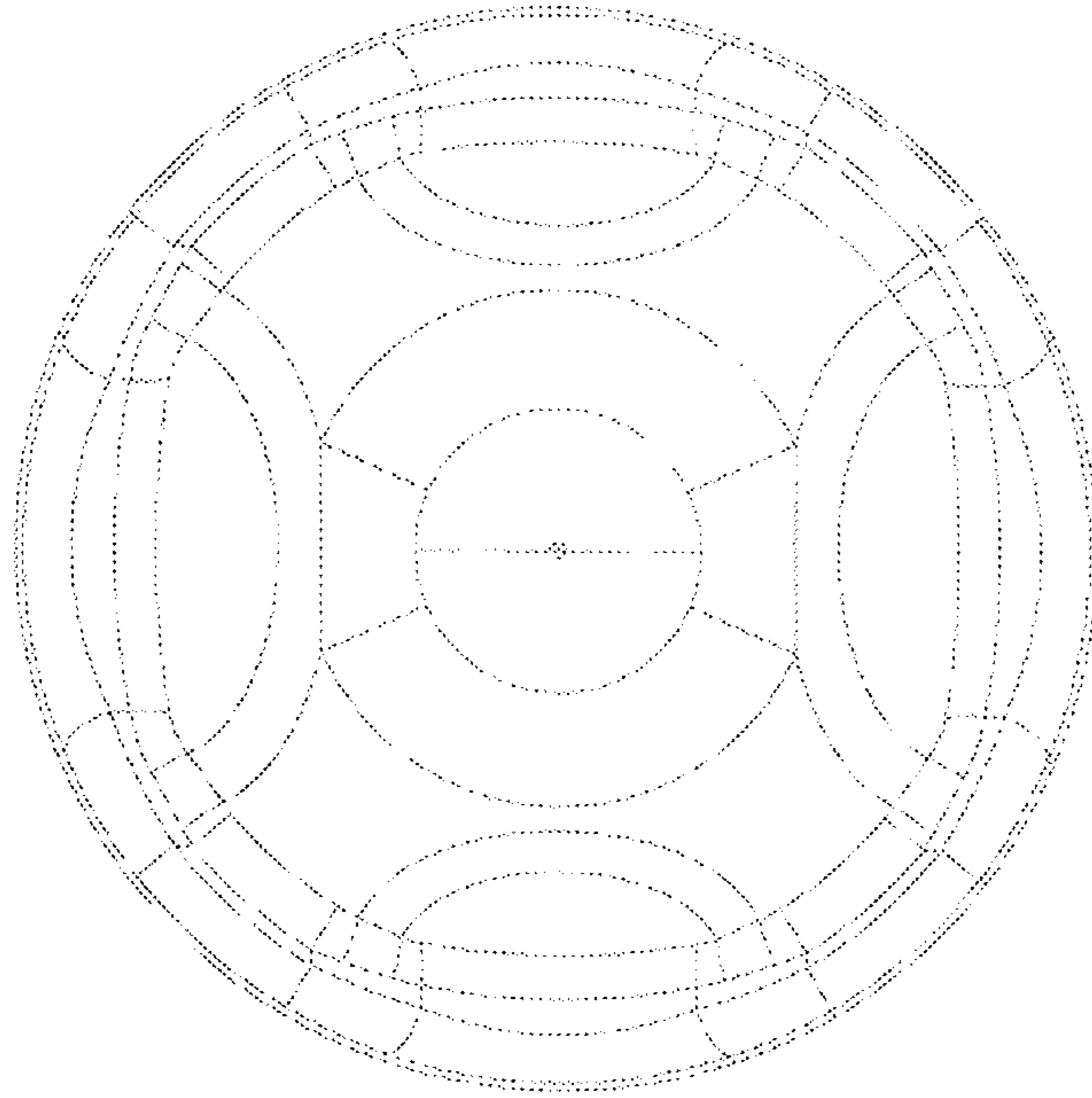


FIG.5