



US00D901747S

(12) **United States Design Patent** (10) **Patent No.:** **US D901,747 S**
Lin (45) **Date of Patent:** **** Nov. 10, 2020**

(54) **LAMP**
(71) Applicant: **Muchun Lin**, Shantou (CN)
(72) Inventor: **Muchun Lin**, Shantou (CN)
(**) Term: **15 Years**
(21) Appl. No.: **29/739,858**
(22) Filed: **Jun. 30, 2020**
(51) **LOC (12) Cl.** **26-05**
(52) **U.S. Cl.**
USPC **D26/94; D26/106**
(58) **Field of Classification Search**
USPC D26/24, 26, 36, 93, 94, 104, 106, 110,
D26/123, 124, 137; 362/362, 641;
D11/7, 11, 22; D10/104.1; D21/308,
D21/316, 319, 386, 708, 713, 782
CPC F21V 21/00; F21V 21/14; F21V 21/30;
F21V 23/04; F21V 15/01; F21V 7/00;
F21V 7/04; F21V 7/043; F21V 7/045;
F21V 7/046; F21V 37/0095; F21S 9/00;
F21S 9/022; F21S 10/00; F21S 10/06;
F21S 10/007
See application file for complete search history.

D714,485 S * 9/2014 Johnson D26/94
D757,334 S * 5/2016 Johnson D26/94
D762,913 S * 8/2016 Anderson D26/106
D775,398 S 12/2016 Warden et al.
D800,373 S 10/2017 Soni
D848,051 S * 5/2019 Huang D26/104
D852,405 S * 6/2019 Zeng D26/104
D854,226 S * 7/2019 Lin D26/104
D861,966 S * 10/2019 Wang D26/110
D861,967 S * 10/2019 Lin D26/110
D883,558 S * 5/2020 Zhao D26/106
D884,955 S * 5/2020 Yi D26/104
D887,073 S * 6/2020 Lin D26/110
D889,730 S * 7/2020 Lin D26/110
D890,406 S * 7/2020 Chen D26/104

* cited by examiner

Primary Examiner — Wan Laymon
Assistant Examiner — Clint A Samuel

(57) **CLAIM**

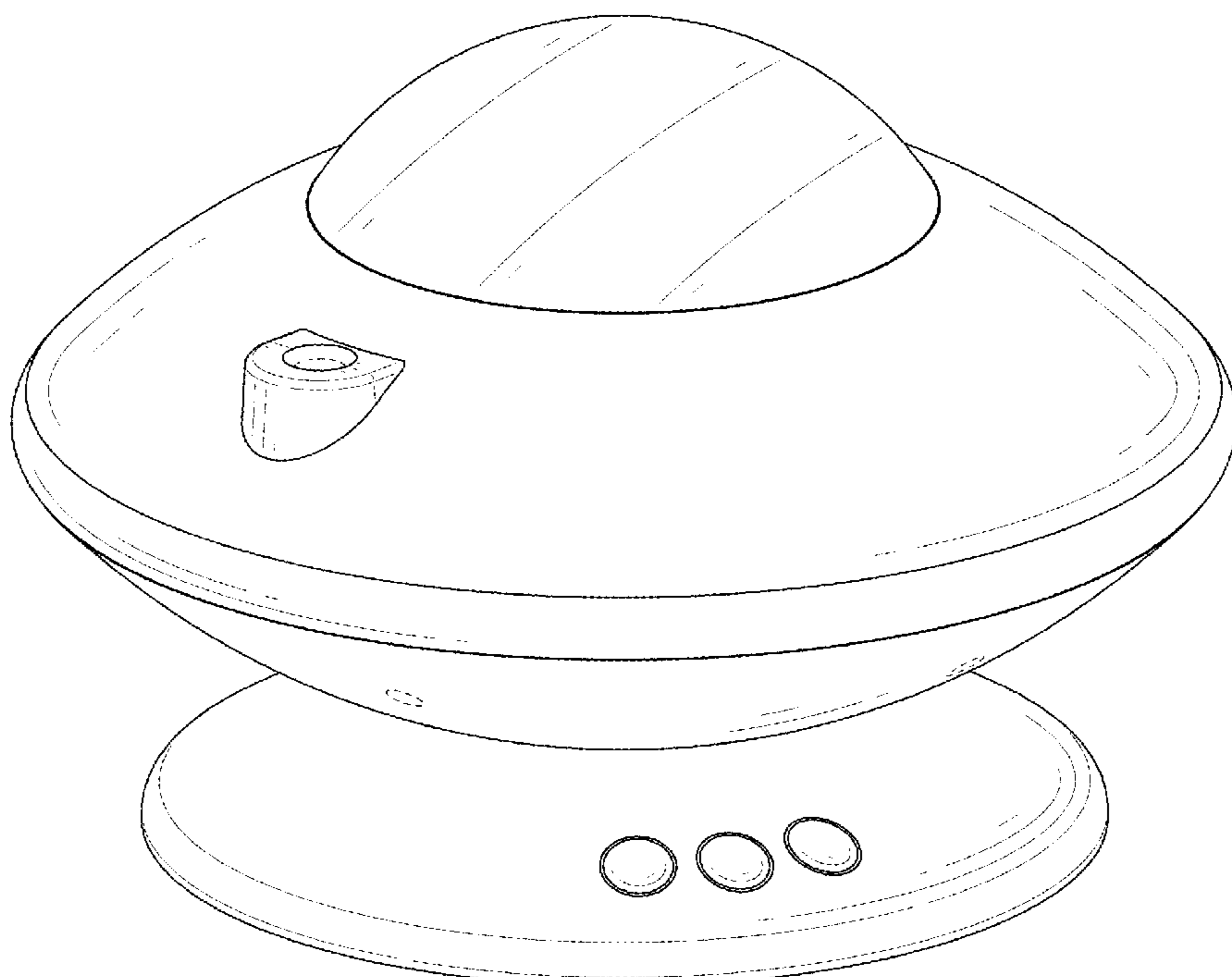
The ornamental design for a lamp, as shown and described.

DESCRIPTION

FIG. 1 is a perspective view of a lamp showing my new design;
FIG. 2 is another perspective view thereof;
FIG. 3 is another perspective view thereof;
FIG. 4 is a front elevational view thereof;
FIG. 5 is a rear elevational view thereof;
FIG. 6 is a left side elevational view thereof;
FIG. 7 is a right side elevational view thereof;
FIG. 8 is a top plan view thereof; and,
FIG. 9 is a bottom plan view thereof.
The broken lines in the drawings depict portions of the lamp that form no part of the claimed design.

1 Claim, 9 Drawing Sheets

(56) **References Cited**
U.S. PATENT DOCUMENTS
D397,488 S * 8/1998 Ball D11/163
D403,800 S * 1/1999 Chen D26/104
D411,327 S * 6/1999 Wang D26/106
D428,185 S * 7/2000 Lau D26/110
D496,126 S * 9/2004 Huang D26/104
D567,994 S * 4/2008 Chan D26/104
D586,937 S * 2/2009 Klein D26/104



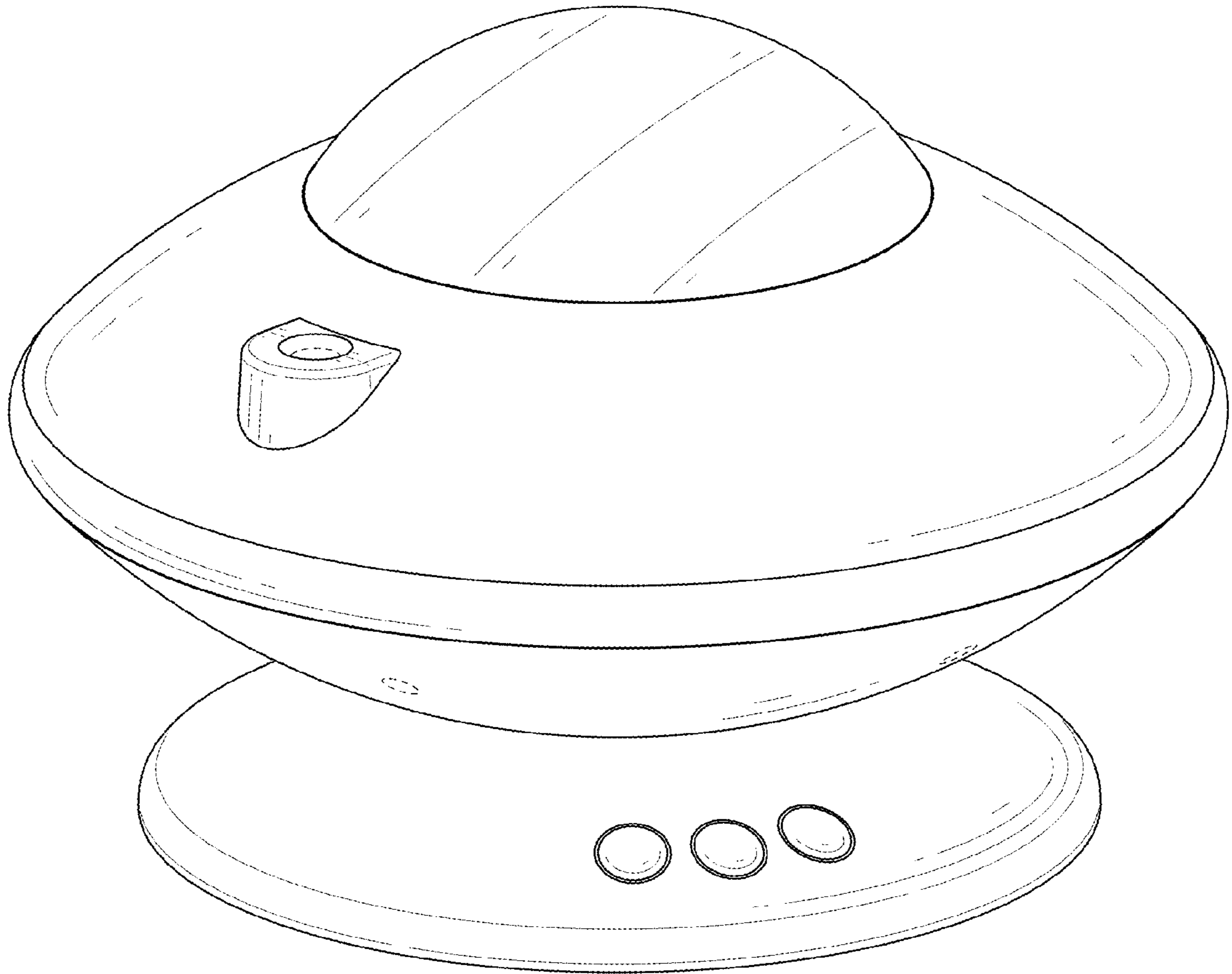


FIG. 1

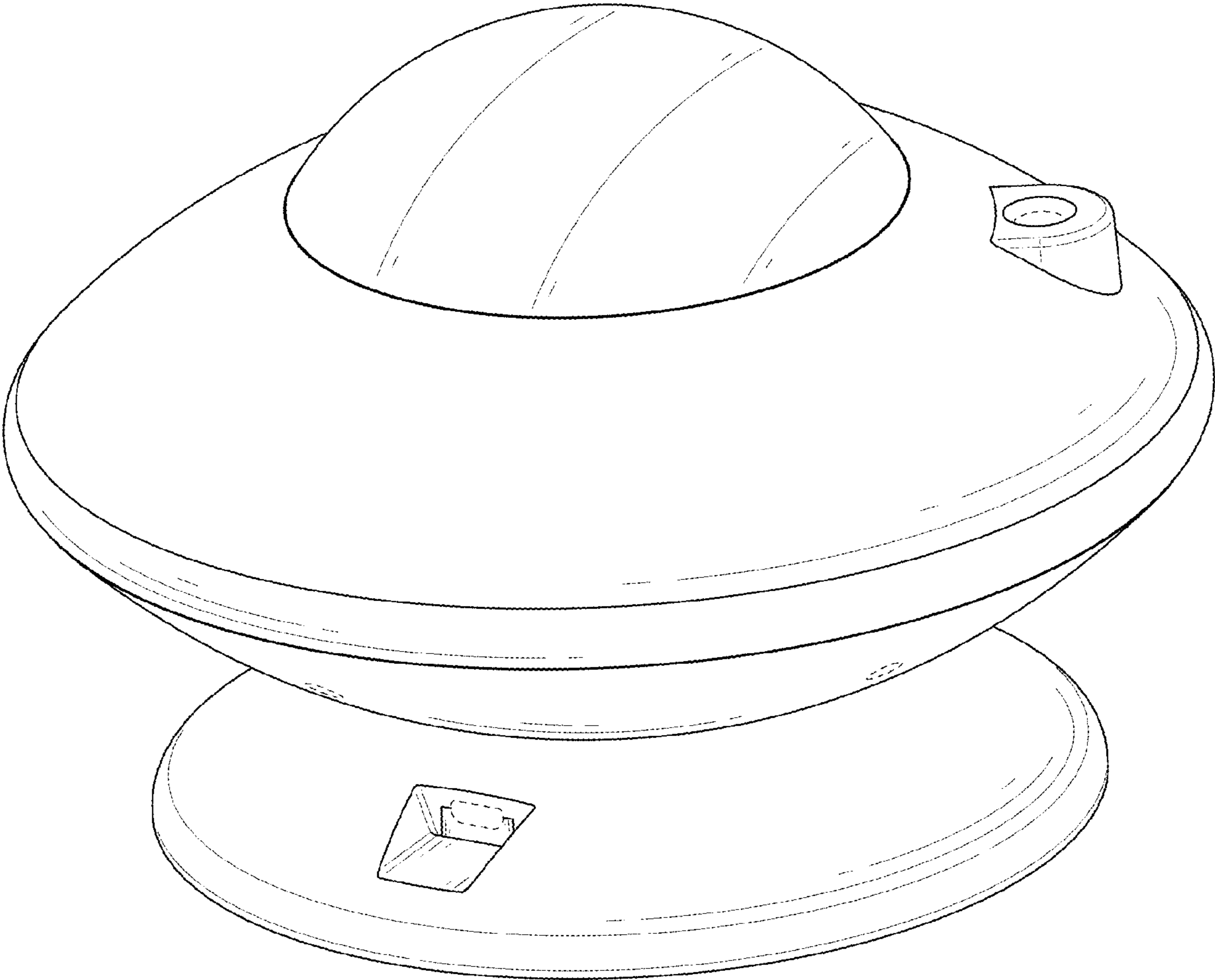


FIG. 2

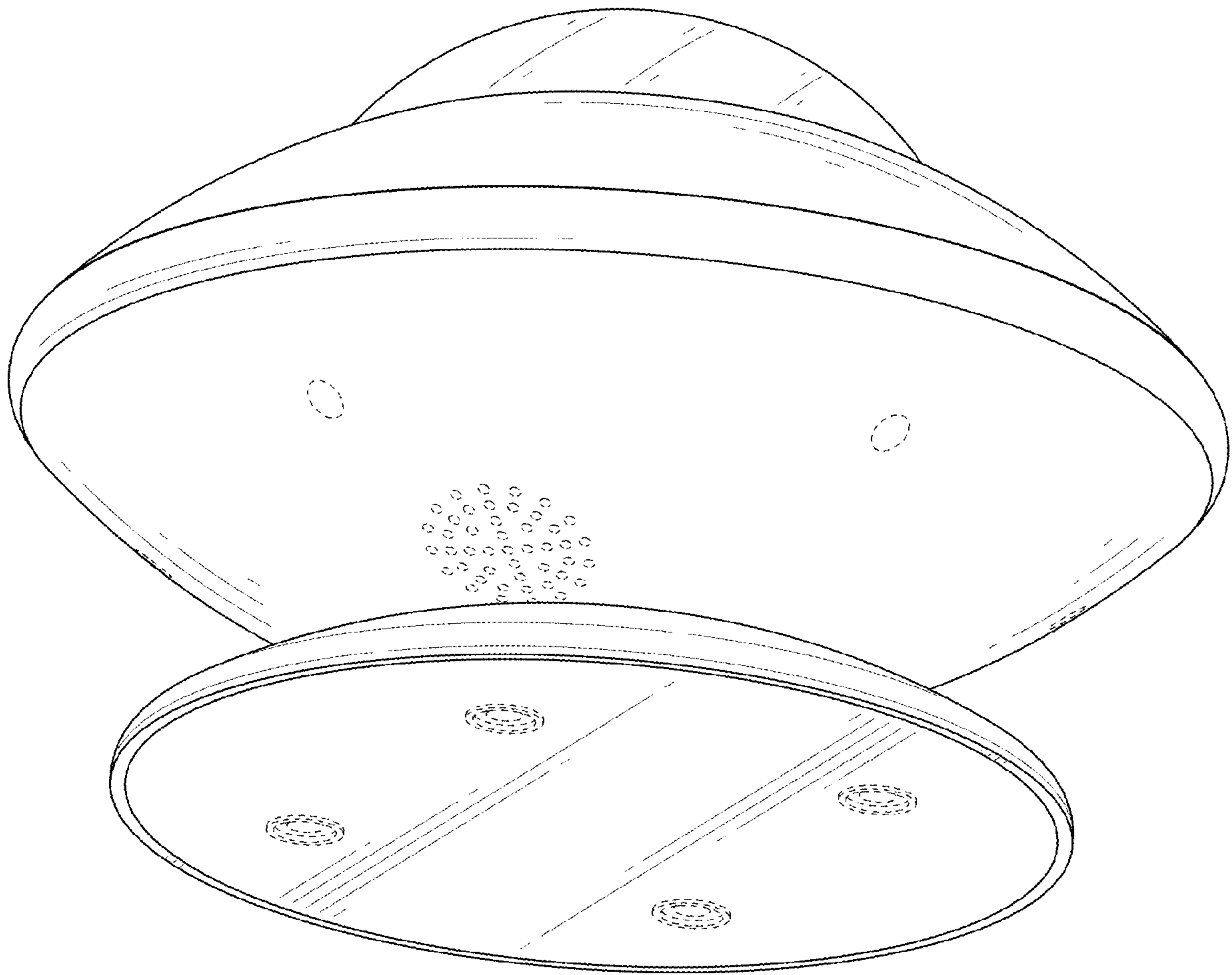


FIG. 3

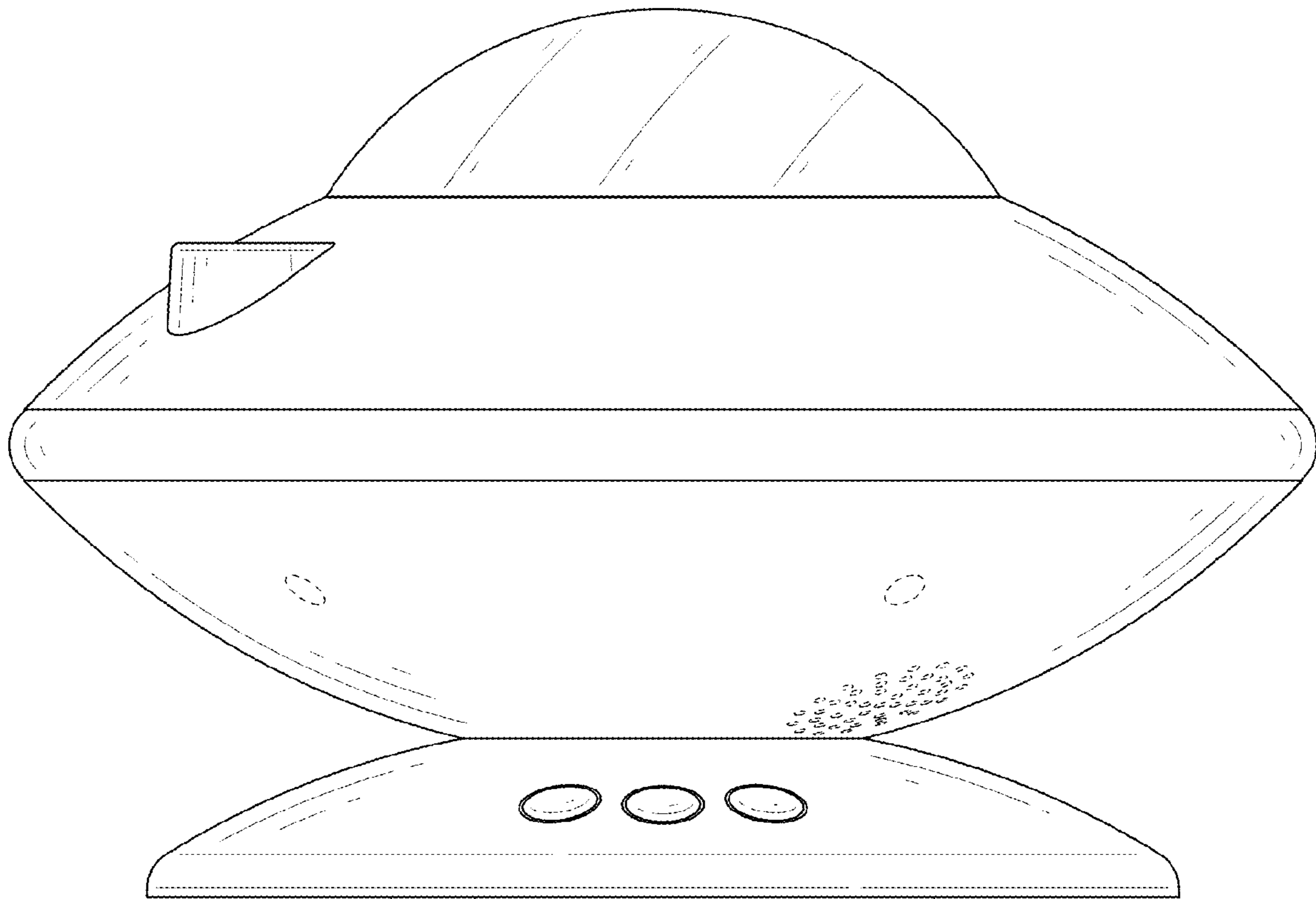


FIG. 4

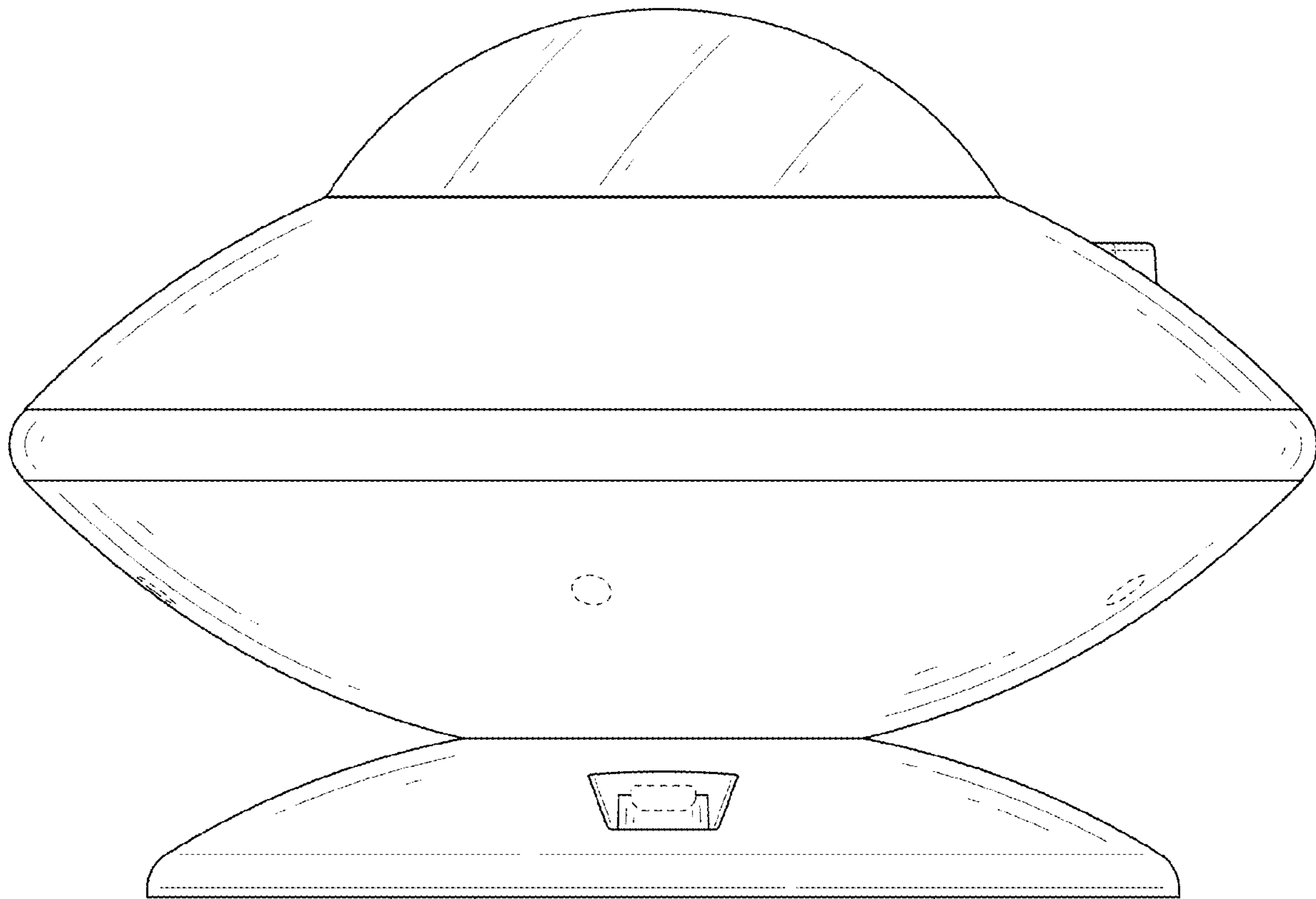


FIG. 5

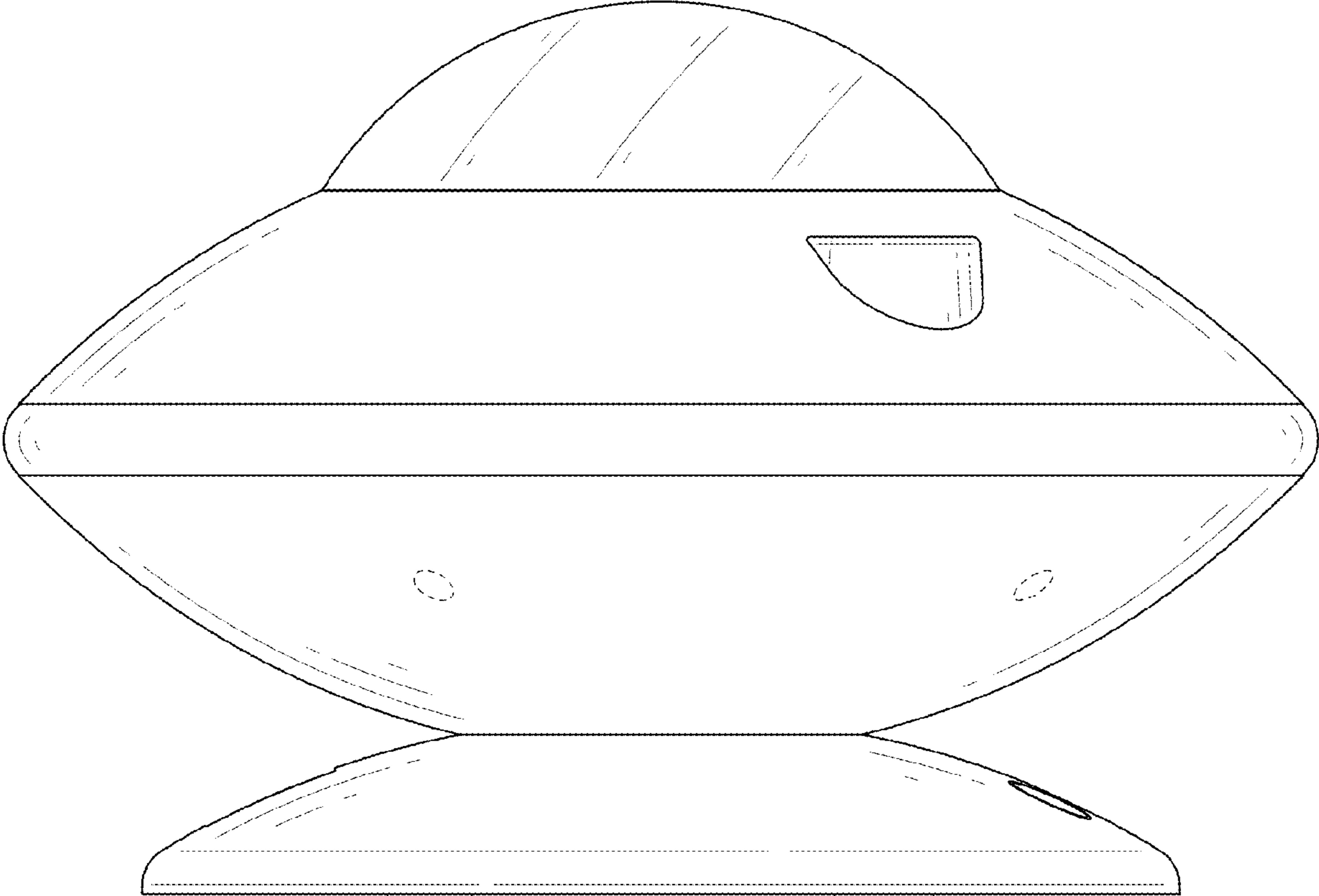


FIG. 6

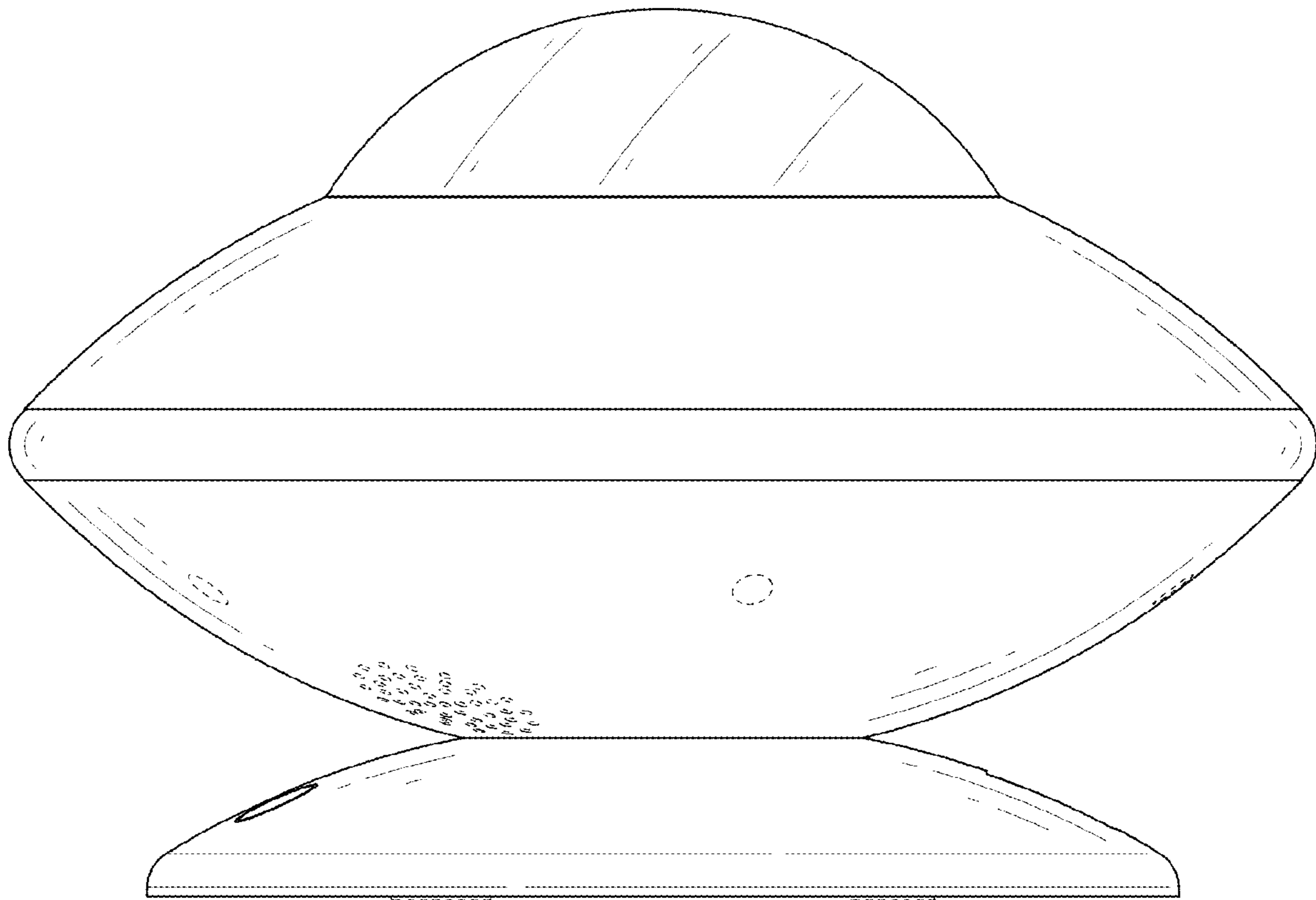


FIG. 7

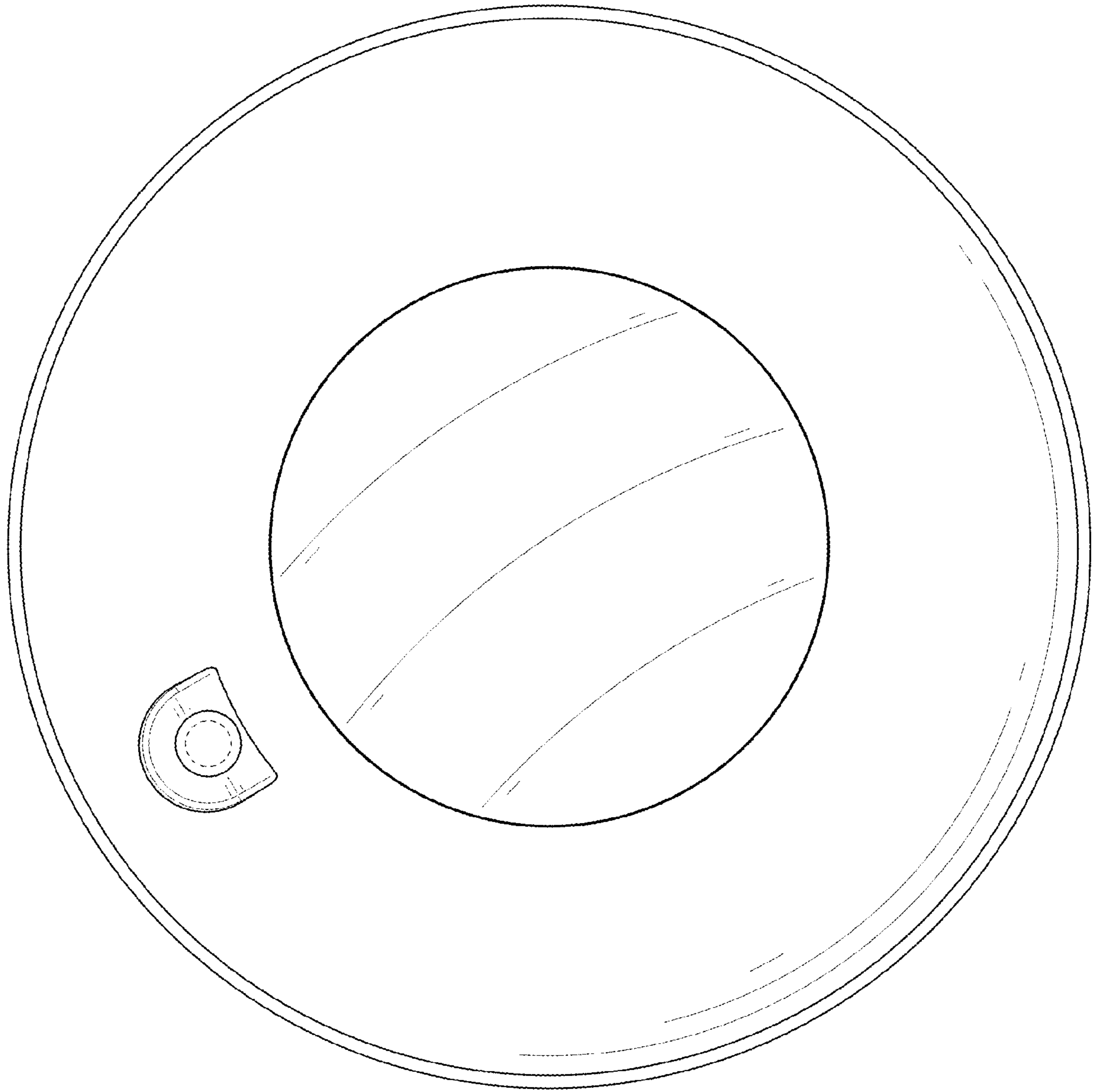


FIG. 8

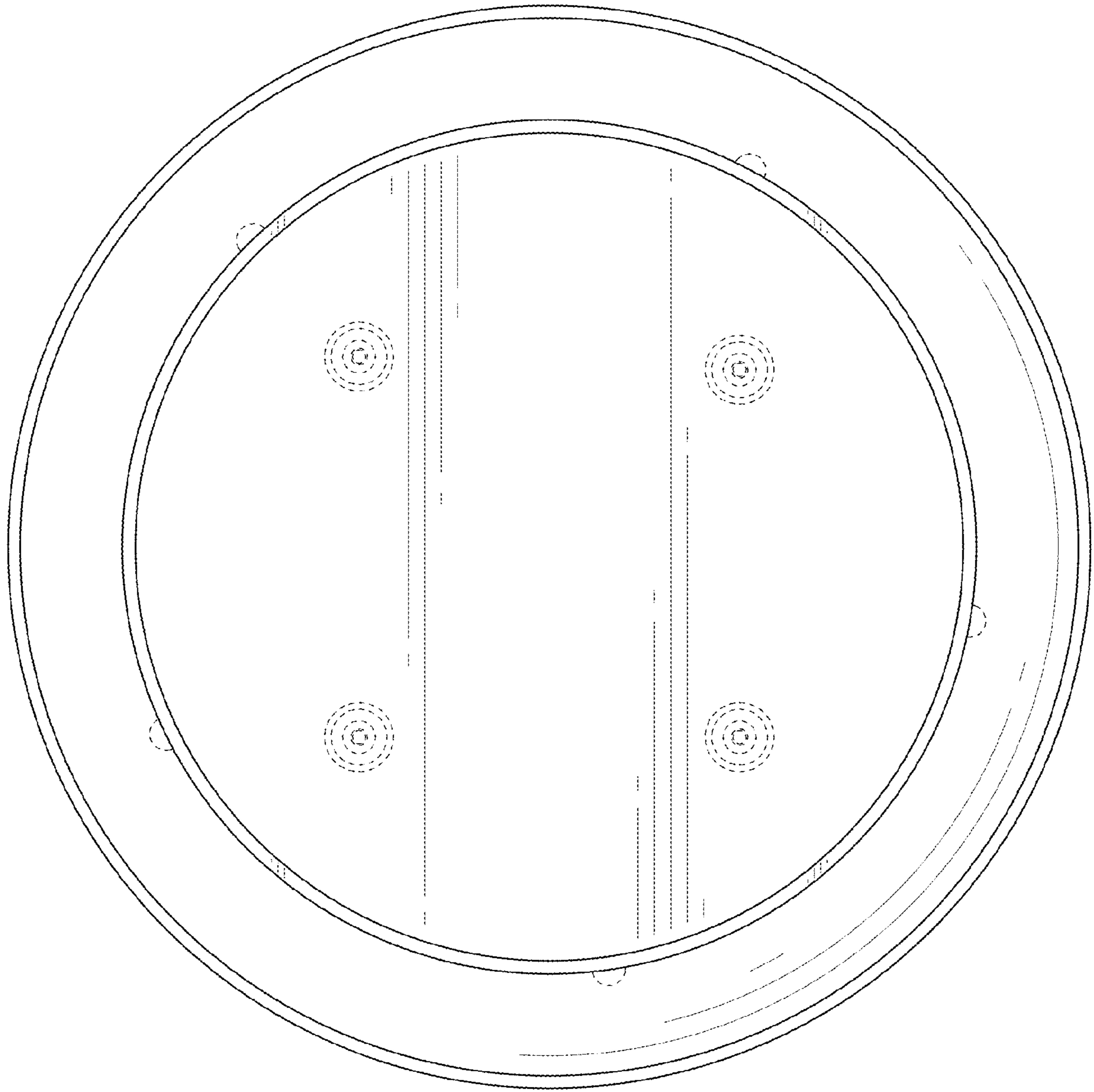


FIG. 9