



US00D901744S

(12) **United States Design Patent**
Xu

(10) **Patent No.:** **US D901,744 S**

(45) **Date of Patent:** **** Nov. 10, 2020**

(54) **LED LAMP**

(71) Applicant: **SHENZHEN SNC OPTO ELECTRONIC CO., LTD.**, Shenzhen (CN)

(72) Inventor: **Jianjun Xu**, Shenzhen (CN)

(73) Assignee: **SHENZHEN SNC OPTO ELECTRONIC CO., LTD.**, Shenzhen (CN)

(**) Term: **15 Years**

(21) Appl. No.: **29/677,425**

(22) Filed: **Jan. 21, 2019**

(51) **LOC (12) Cl.** **26-05**

(52) **U.S. Cl.**
USPC **D26/72; D26/63**

(58) **Field of Classification Search**
USPC D26/24, 63, 71, 72, 74, 75-78, 80-92, D26/118, 120, 122, 142, 149; D13/134; D10/111-115

CPC F21V 23/003; F21V 23/023; F21V 29/71; F21V 29/713; F21V 29/717; F21V 29/73; F21V 29/74; F21V 29/745; F21V 29/75; F21V 29/76; F21V 5/00; F21V 1/02; F21V 15/01; F21Y 2115/10; F21S 8/02; F21S 8/04; F21S 8/026; F21S 8/036; F21S 8/085; F21S 8/086; F21S 9/03; F21S 9/037

See application file for complete search history.

(56) **References Cited**

U.S. PATENT DOCUMENTS

D75,869 S *	7/1928	Pfeiffer	D26/152
D573,288 S *	7/2008	Xu	D26/67
D623,338 S *	9/2010	Mo	D26/72
D625,038 S *	10/2010	Yoo	D26/85
D627,911 S *	11/2010	Mo	D26/72
D627,912 S *	11/2010	Mo	D26/72

D653,795 S *	2/2012	Guercio	D26/89
D657,088 S *	4/2012	Miro	D26/89
D688,408 S *	8/2013	Wung	D26/88

(Continued)

OTHER PUBLICATIONS

Round LED explosion-proof light (available online) Retrieved from the internet Sep. 2, 2020 from URL: <https://www.365led.cn/product/products-6-85.html>.*

(Continued)

Primary Examiner — Kevin K Rudzinski

Assistant Examiner — Richard Kearney

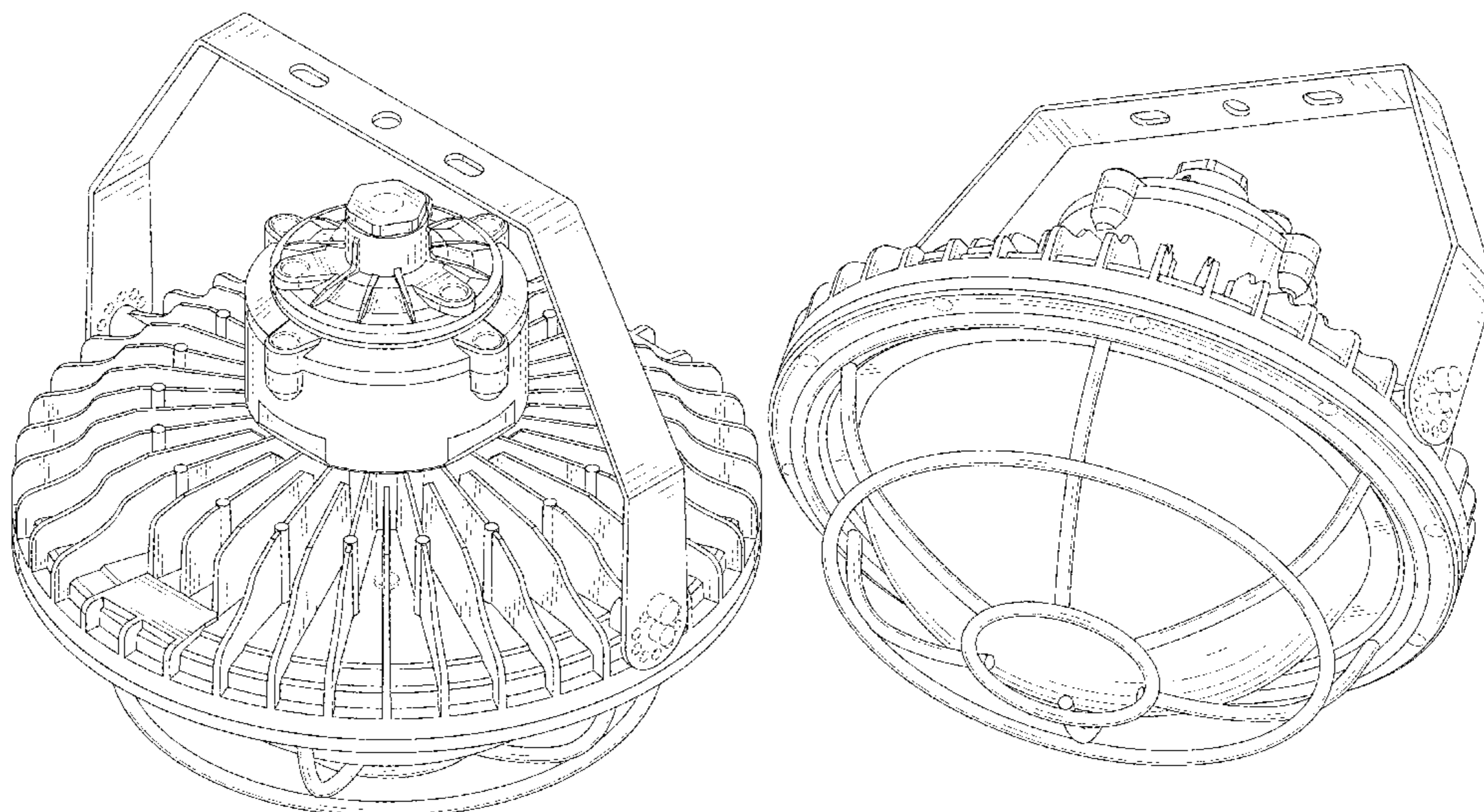
(57) **CLAIM**

The ornamental design for an LED lamp, as shown and described.

DESCRIPTION

FIG. 1 is a perspective view of an LED lamp in accordance with a first embodiment showing my new design; FIG. 2 is another perspective view thereof; FIG. 3 is a front elevational view thereof; FIG. 4 is a rear elevational view thereof; FIG. 5 is a left side elevational view thereof; FIG. 6 is a right side elevational view thereof; FIG. 7 is a top plan view thereof; FIG. 8 is a bottom plan view thereof; FIG. 9 is a perspective view of the LED lamp in accordance with a second embodiment; FIG. 10 is another perspective view thereof; FIG. 11 is a front elevational view thereof; FIG. 12 is a rear elevational view thereof; FIG. 13 is a left side elevational view thereof; FIG. 14 is a right side elevational view thereof; FIG. 15 is a top plan view thereof; and, FIG. 16 is a bottom plan view thereof. The broken lines in the drawings depict portions of the LED lamp that form no part of the claimed design.

1 Claim, 16 Drawing Sheets



(56)

References Cited

U.S. PATENT DOCUMENTS

D690,450 S * 9/2013 Guercio D26/72
D701,980 S * 4/2014 Ke D26/2
D702,395 S * 4/2014 Stolte D26/118
9,121,554 B2 * 9/2015 Shimizu F21V 5/007
D742,555 S * 11/2015 Shum D26/2
D821,009 S * 6/2018 Holmes D26/59
D845,532 S * 4/2019 Zhu D26/72
D858,839 S * 9/2019 Deng D26/63
D858,841 S * 9/2019 Deng D26/63
D880,040 S * 3/2020 Pan D26/72
2011/0002124 A1 * 1/2011 Chang F21V 29/89
362/294
2017/0153016 A1 * 6/2017 Lee F21V 19/02

OTHER PUBLICATIONS

LED Explosion-proof Light (available online) Retrieved from the internet Sep. 2, 2020 from URL: <https://www.snc-lighting.com/en/product/product-65-243.html>.*

* cited by examiner

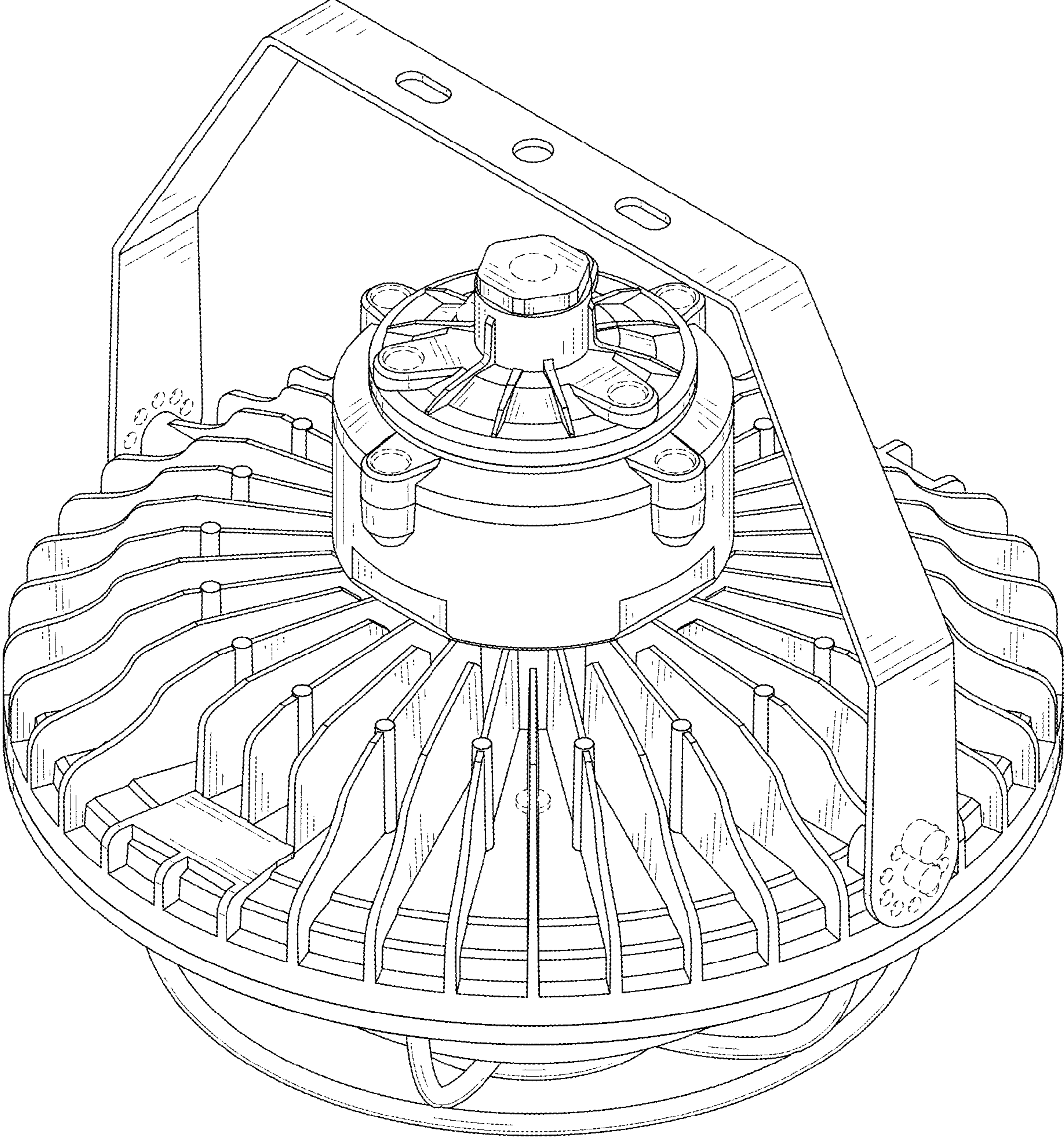


FIG. 1

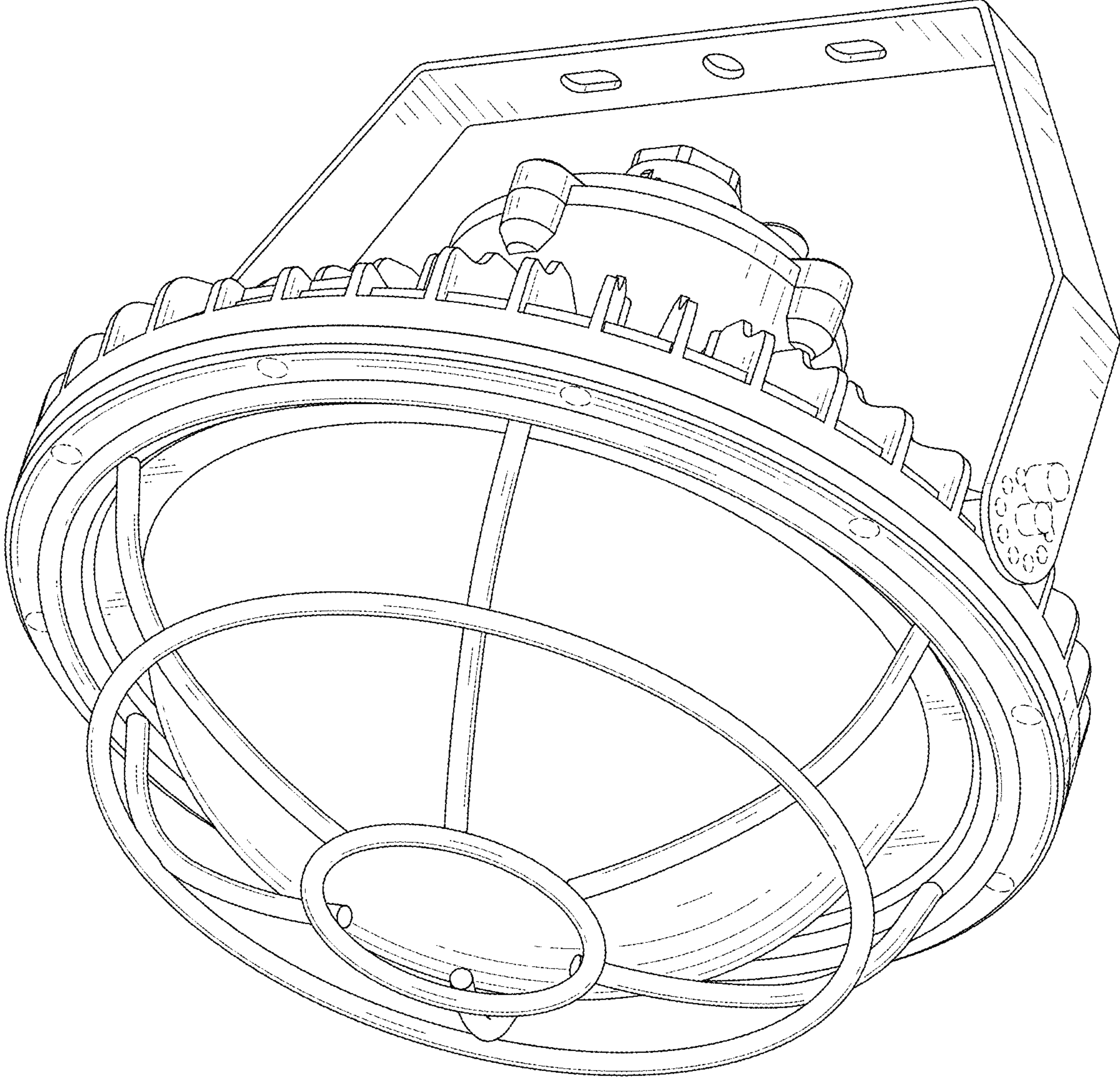


FIG. 2

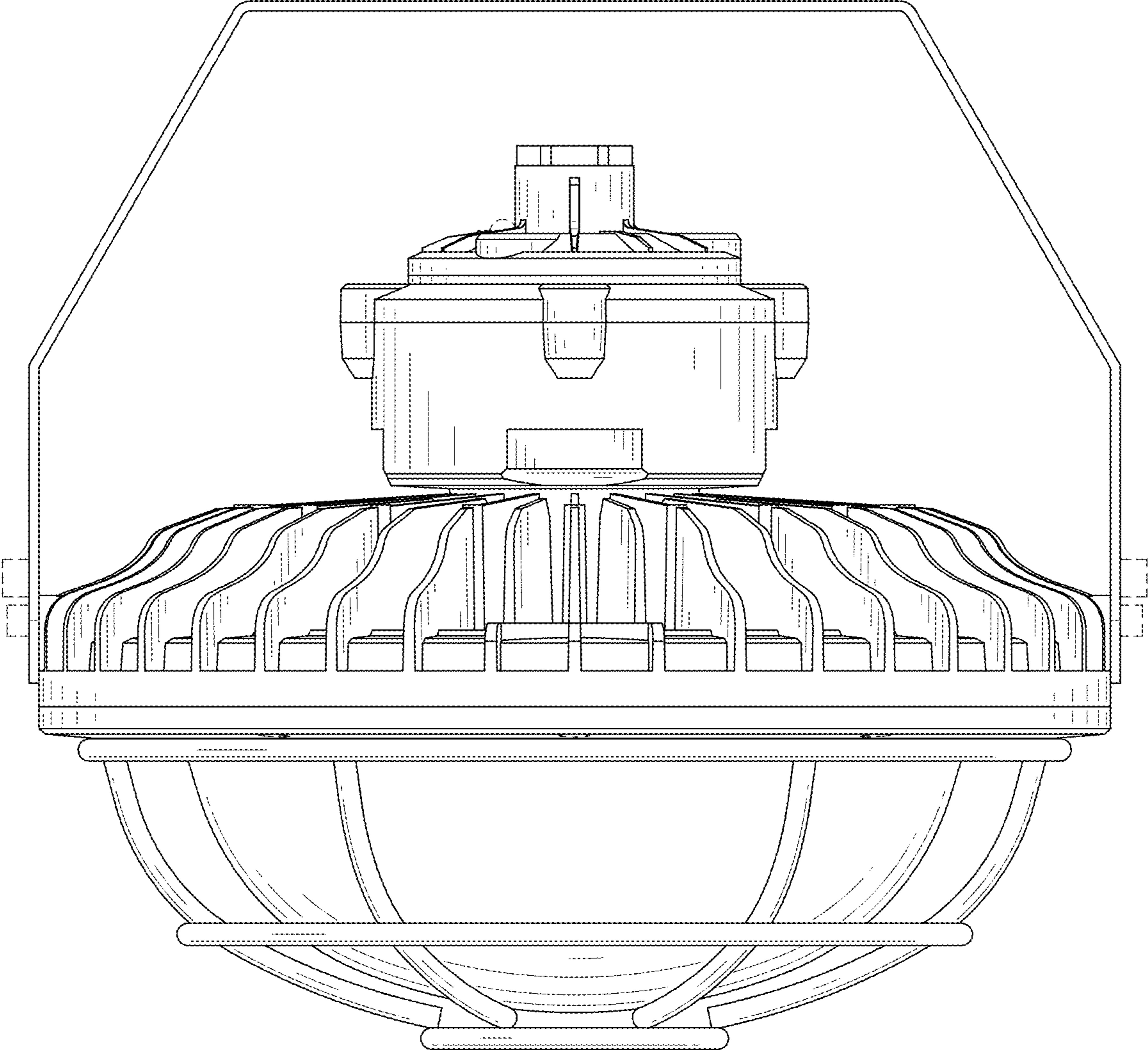


FIG. 3

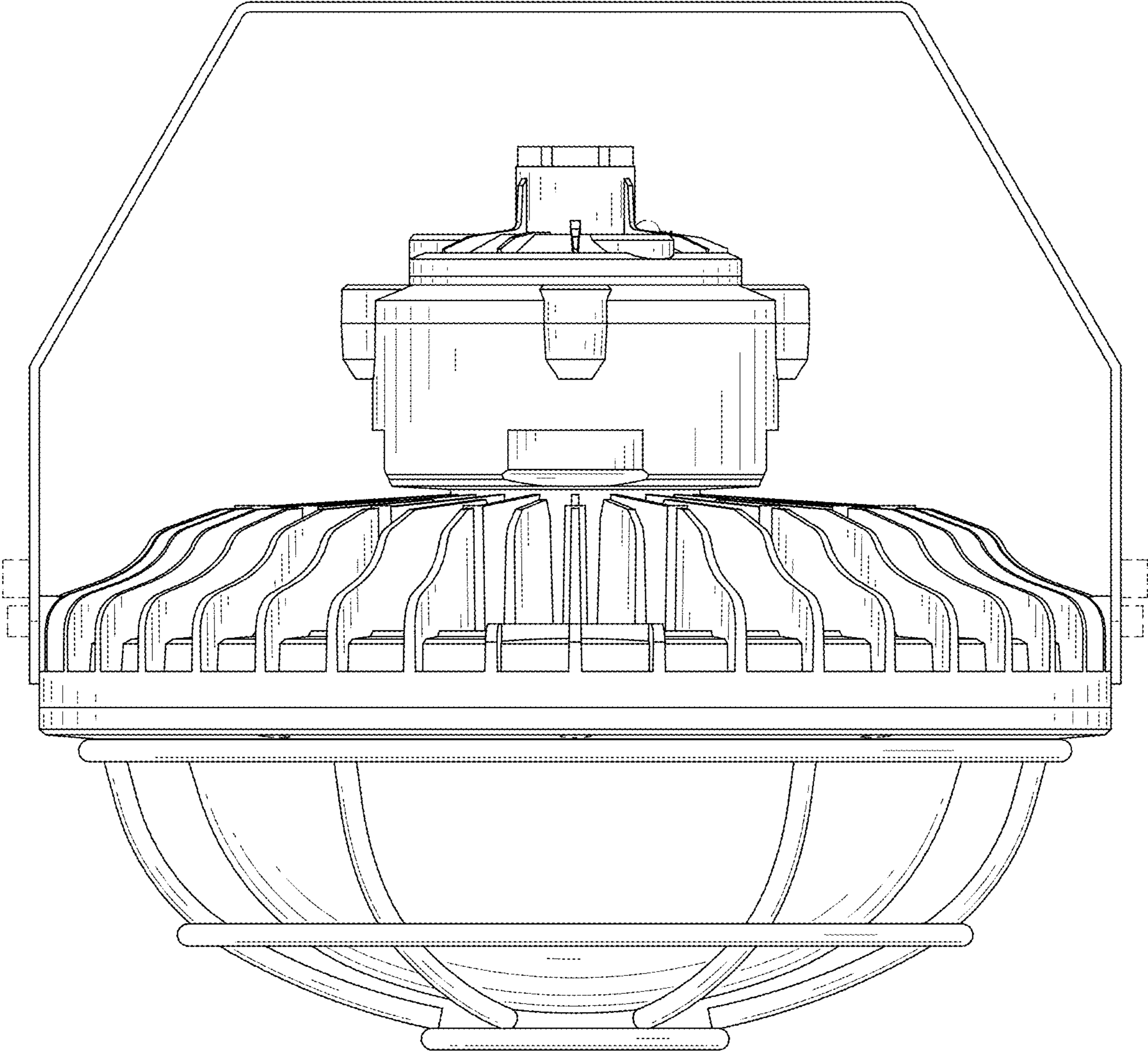


FIG. 4

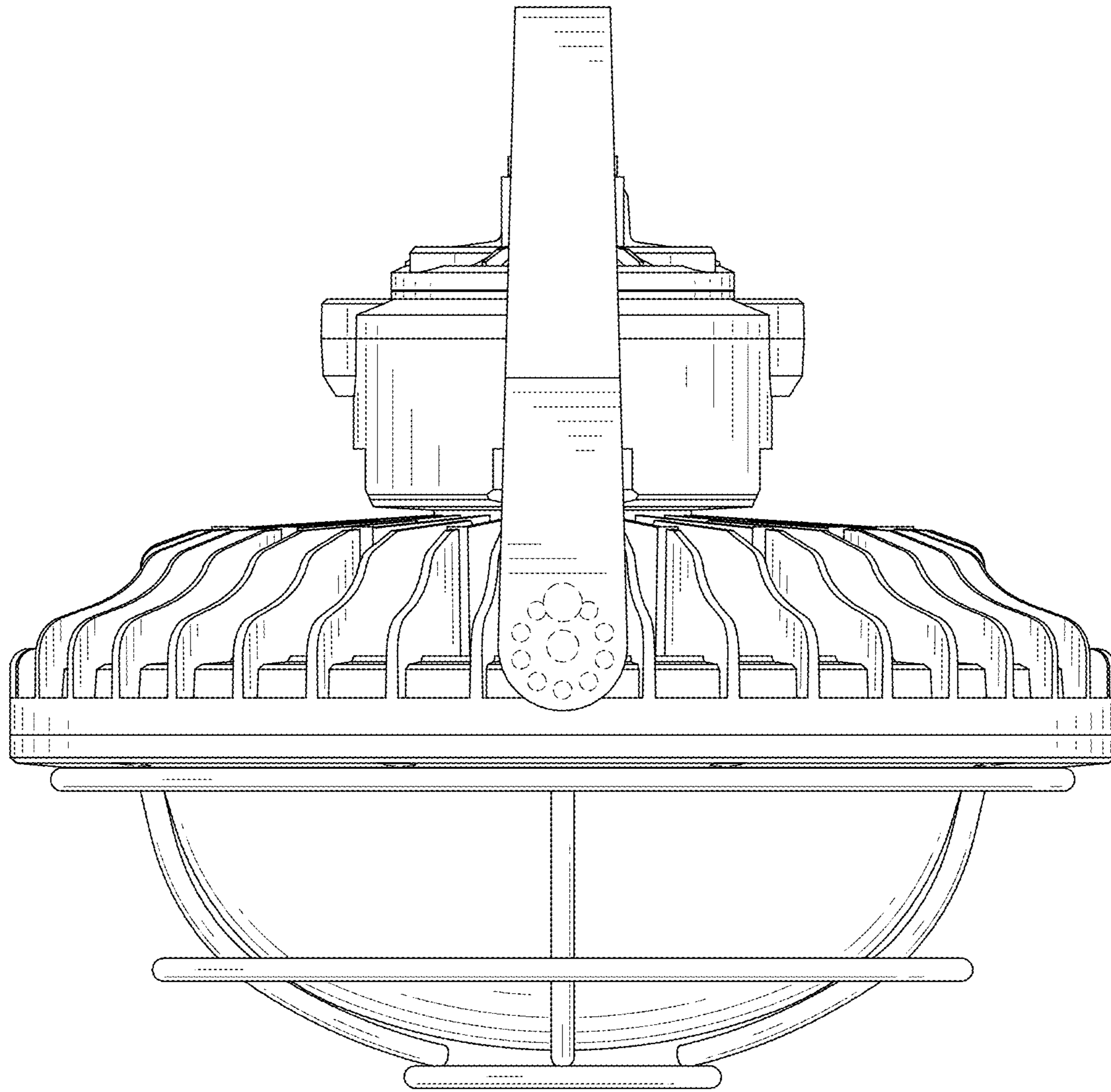


FIG. 5

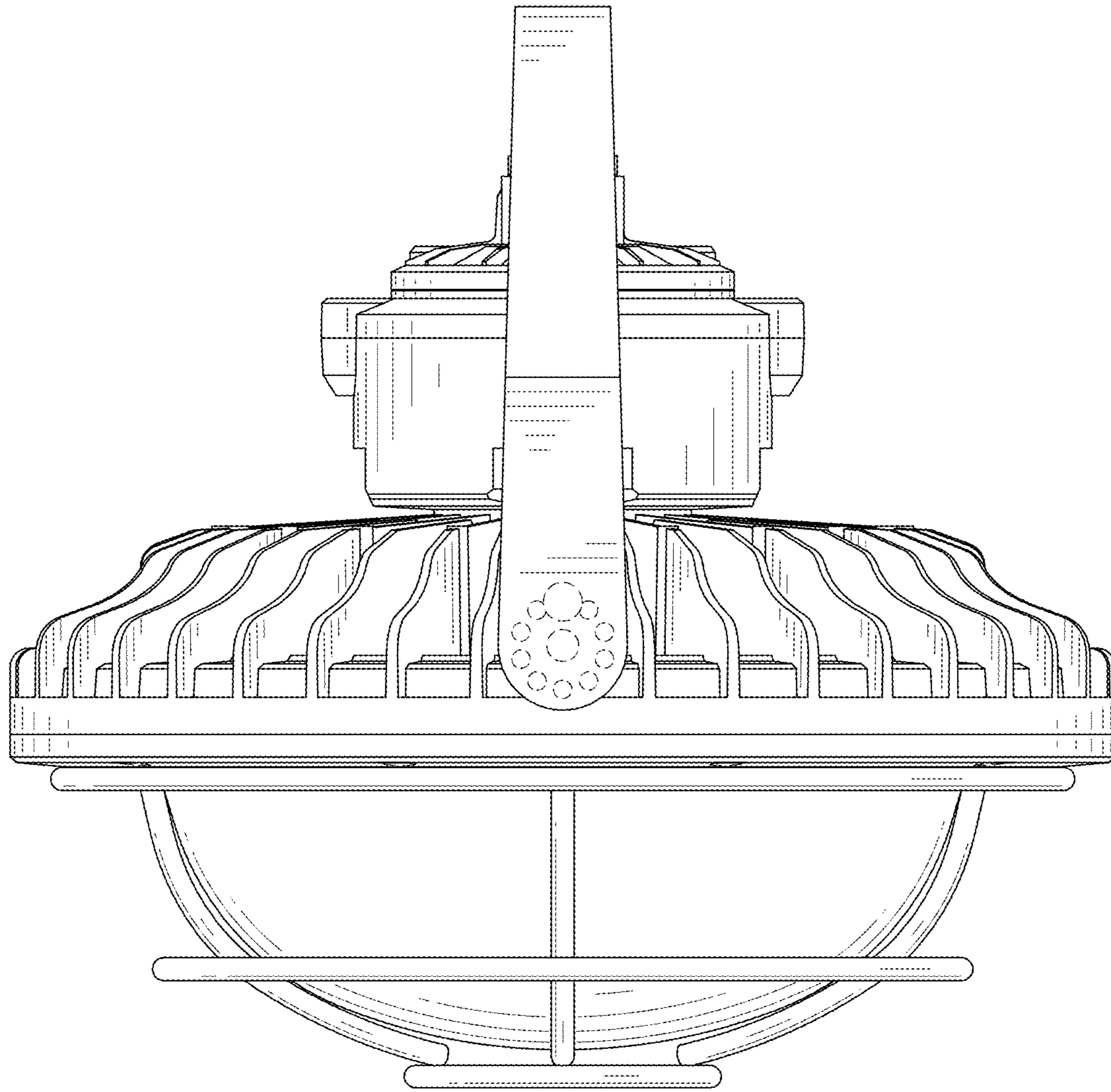


FIG. 6

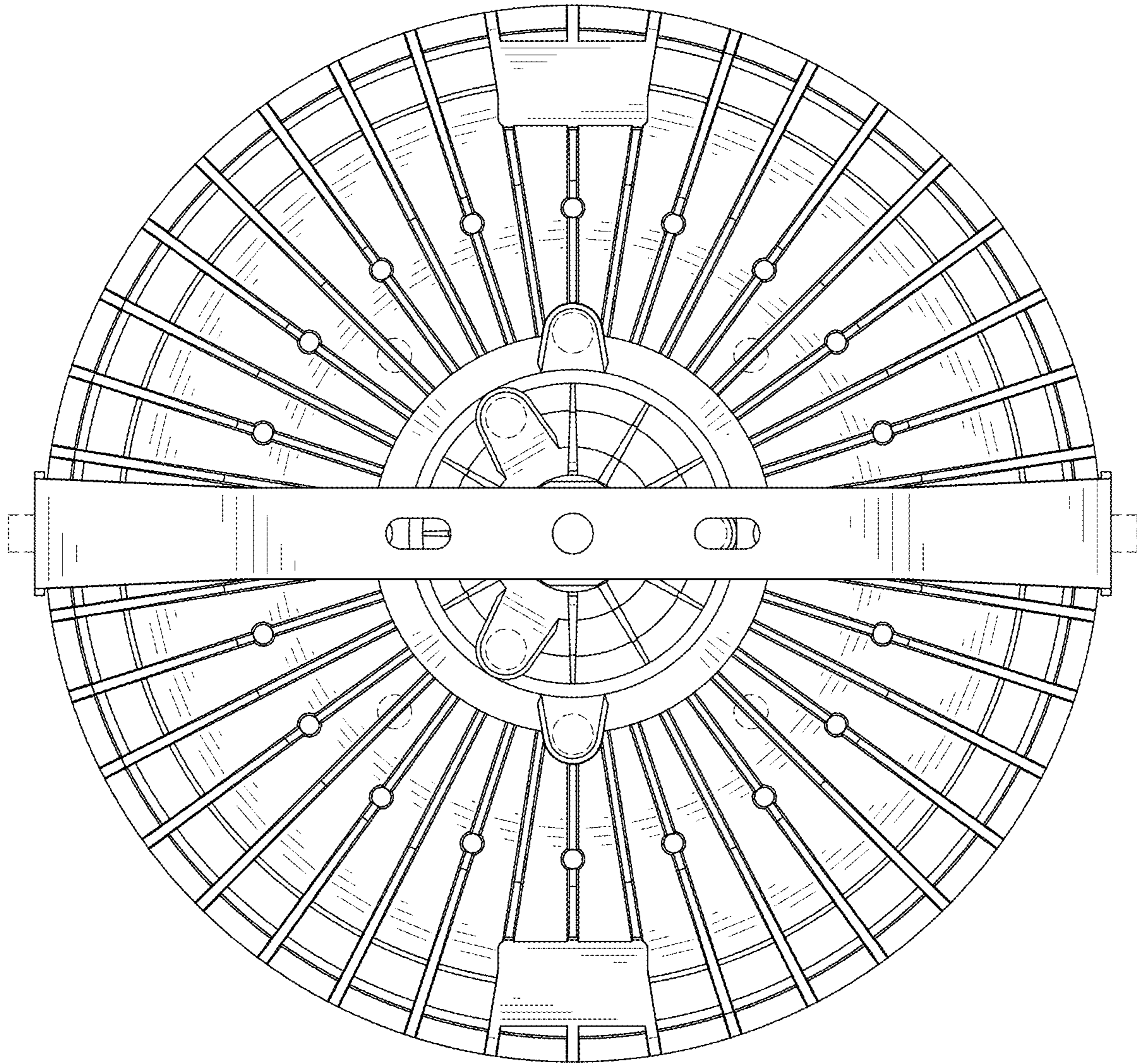


FIG. 7

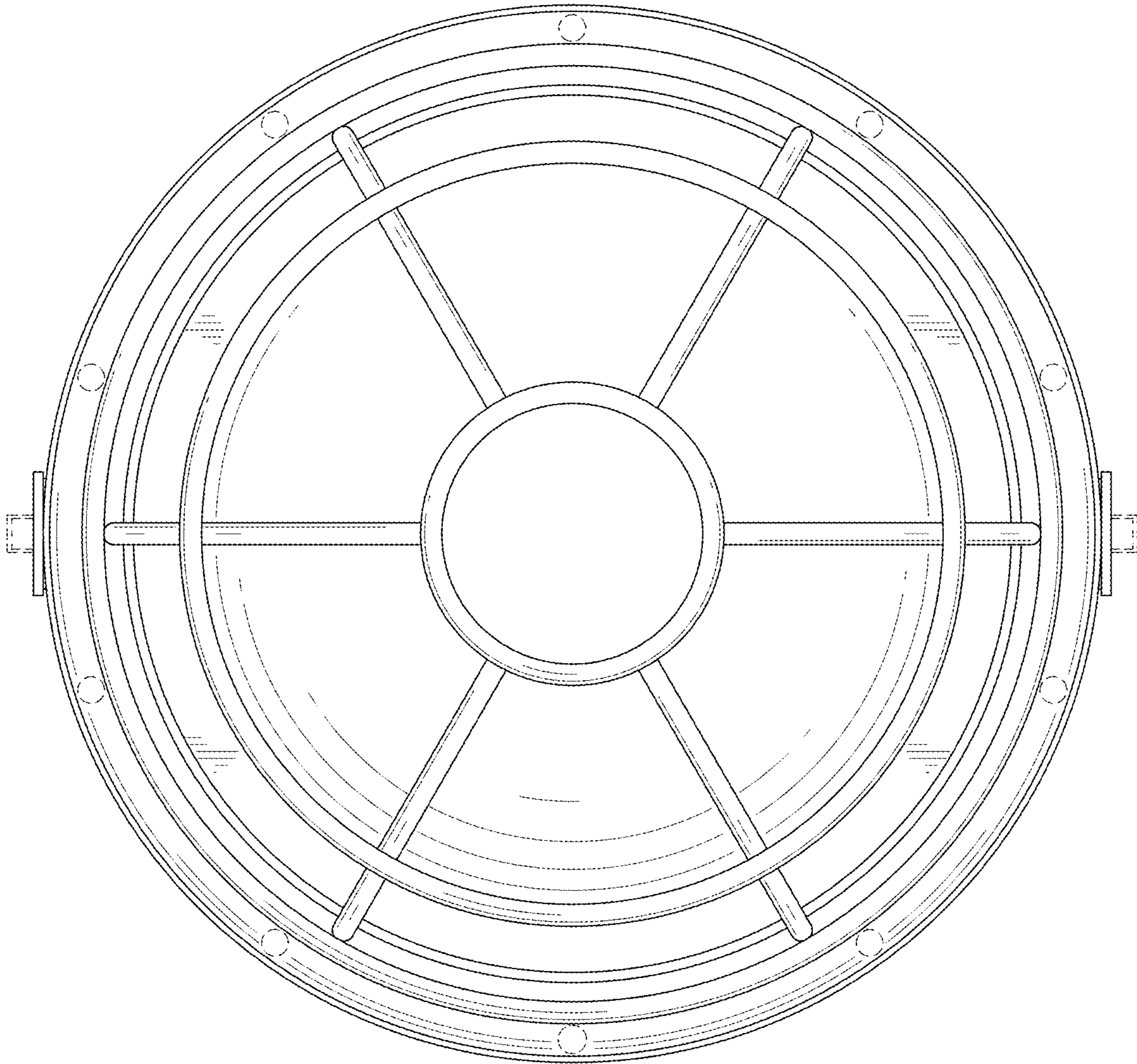


FIG. 8

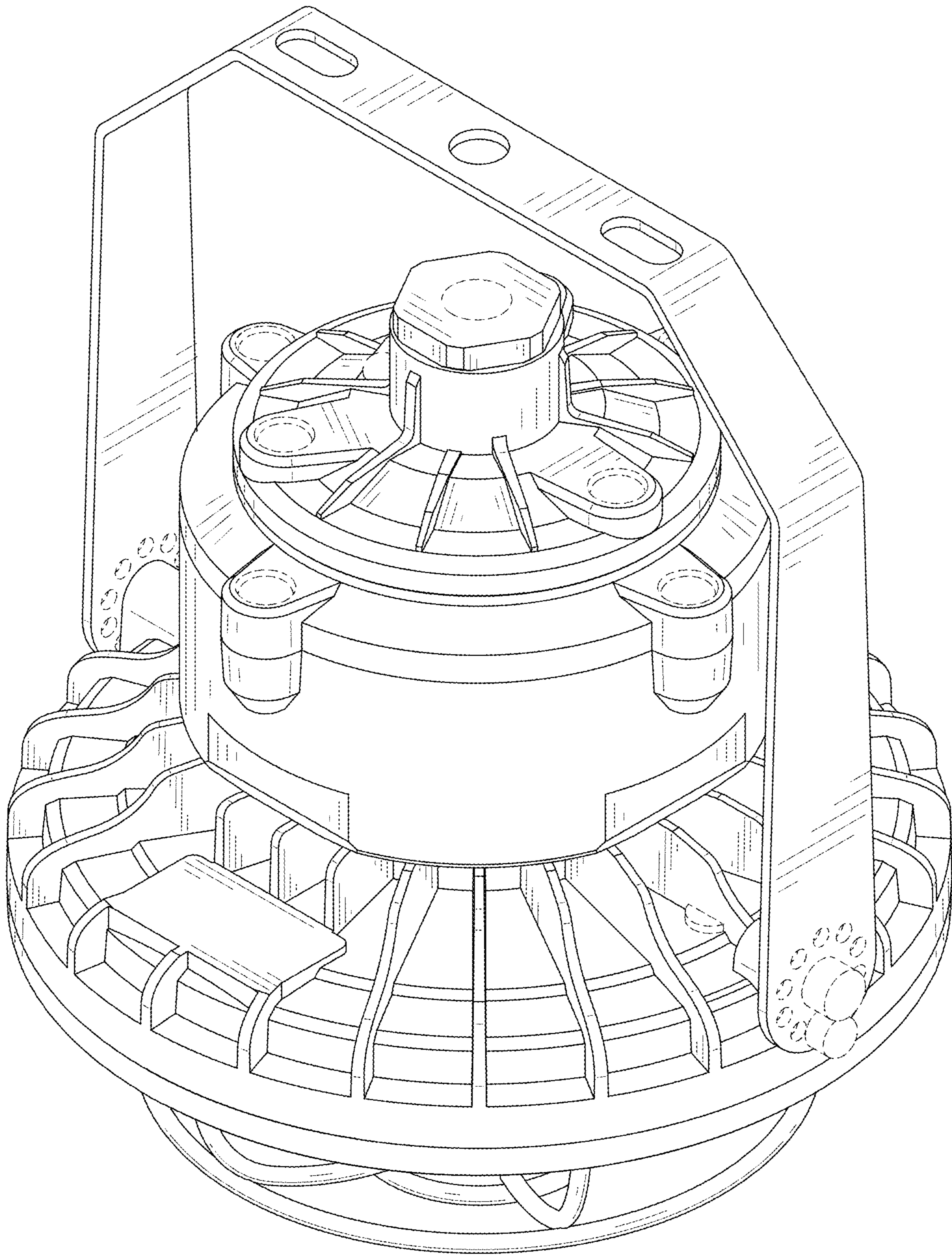


FIG. 9

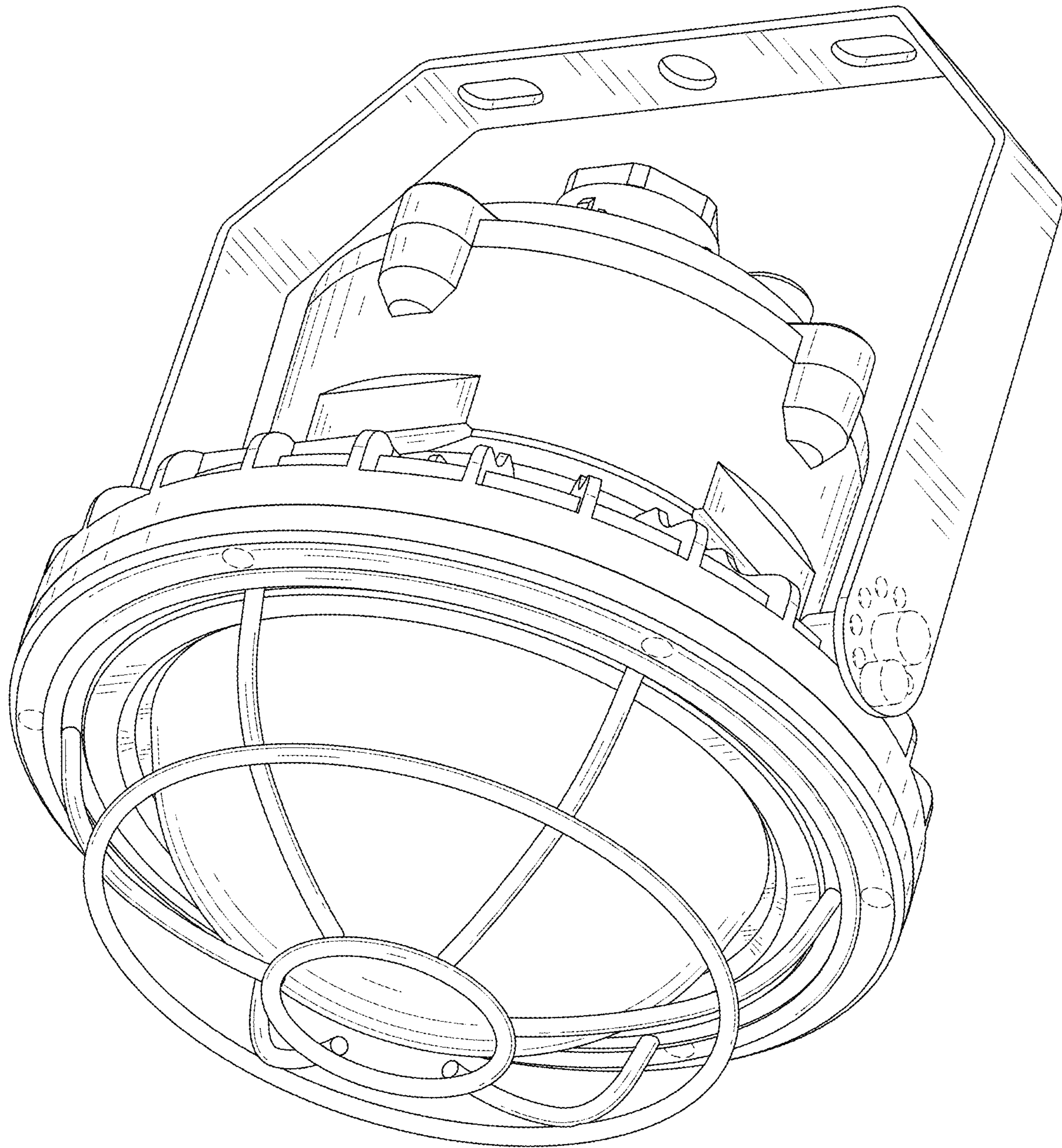


FIG. 10

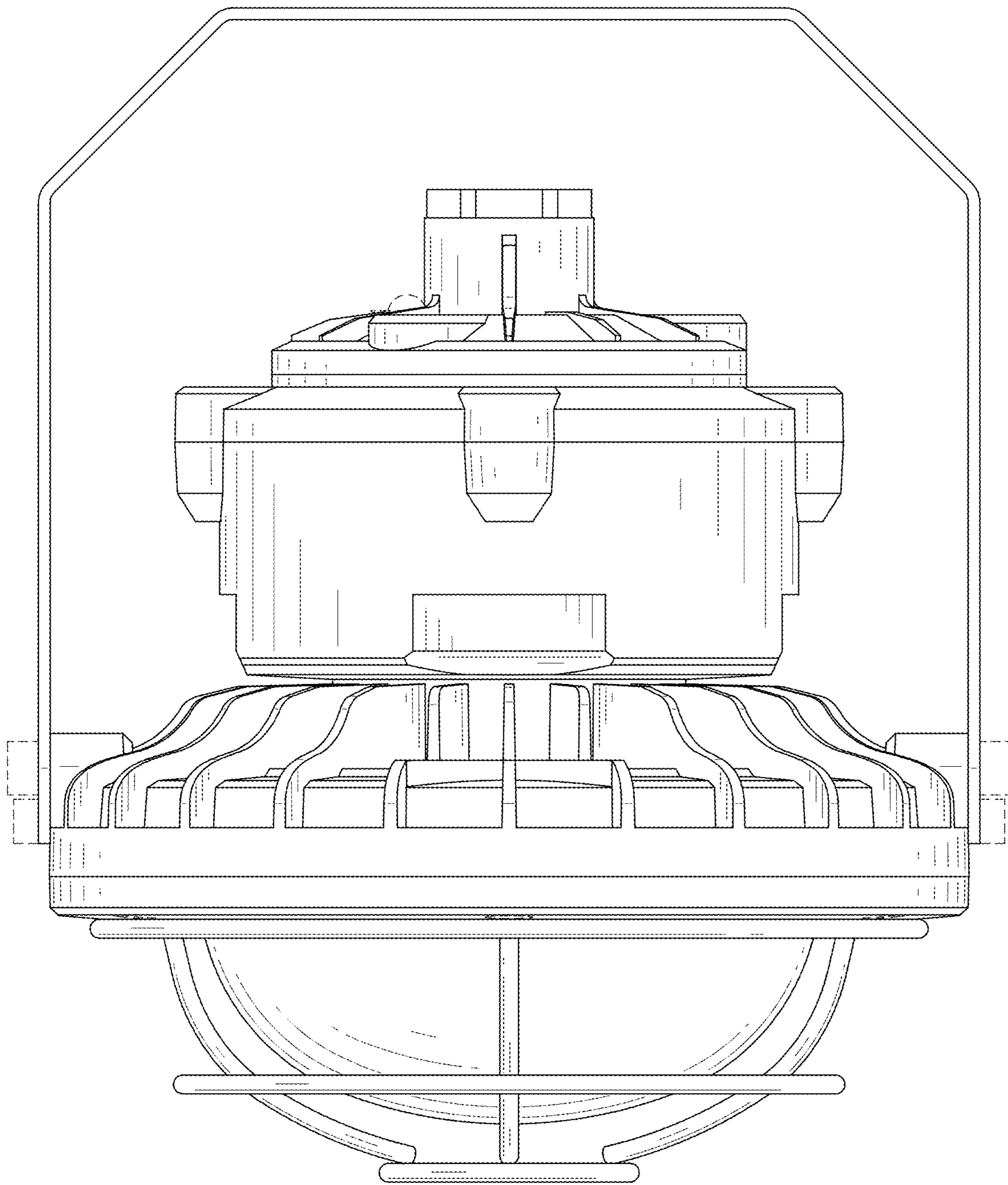


FIG. 11

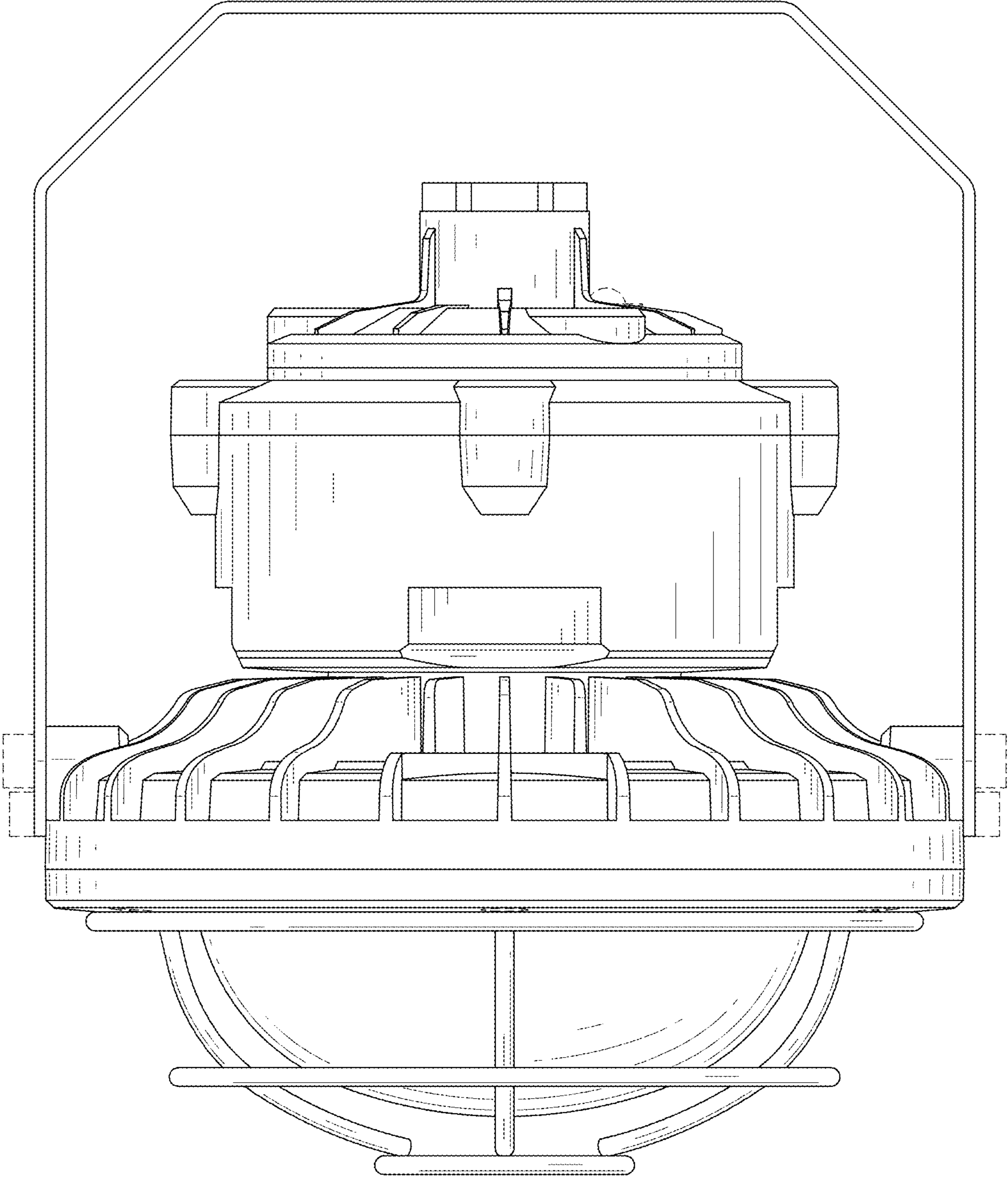


FIG. 12

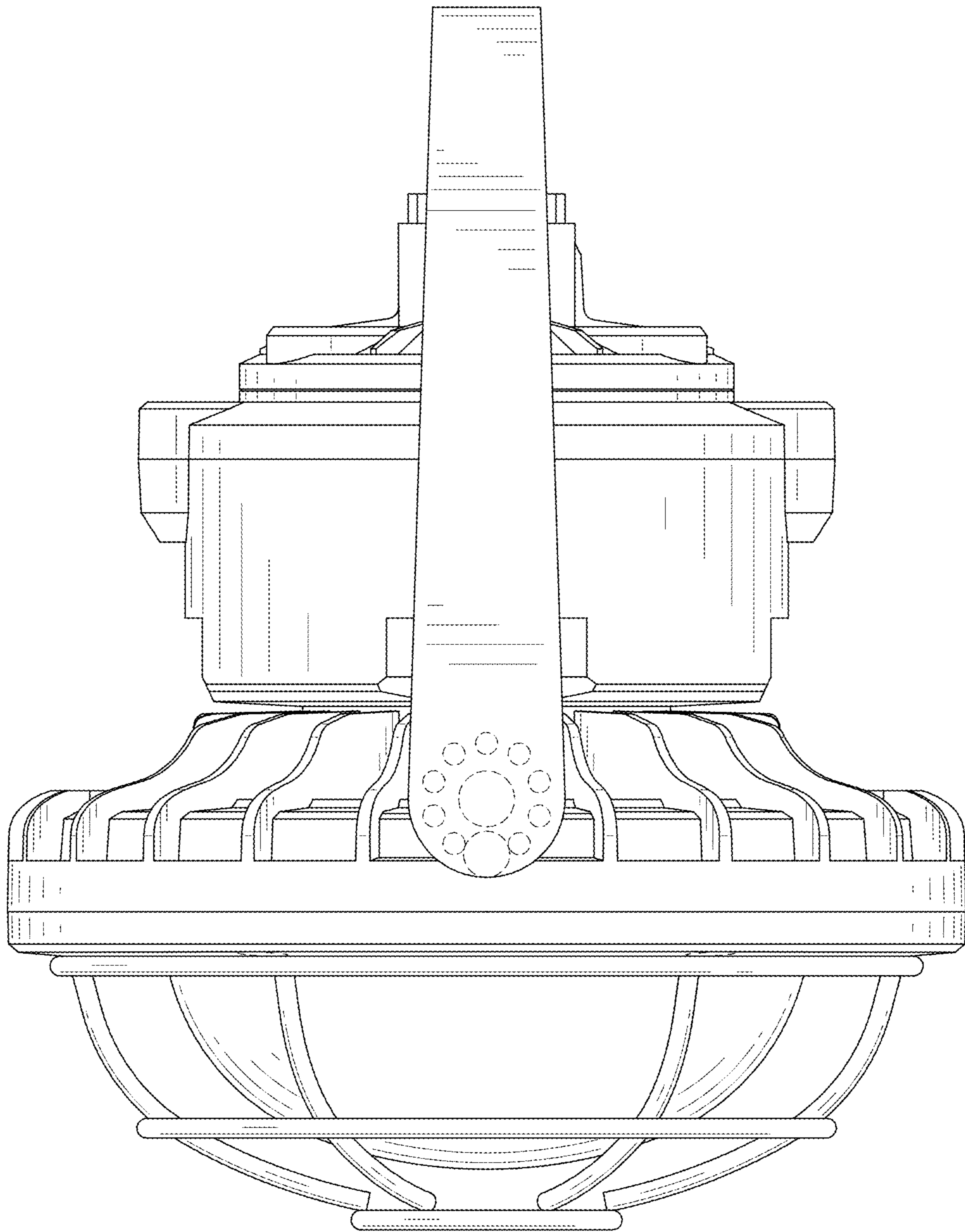


FIG. 13

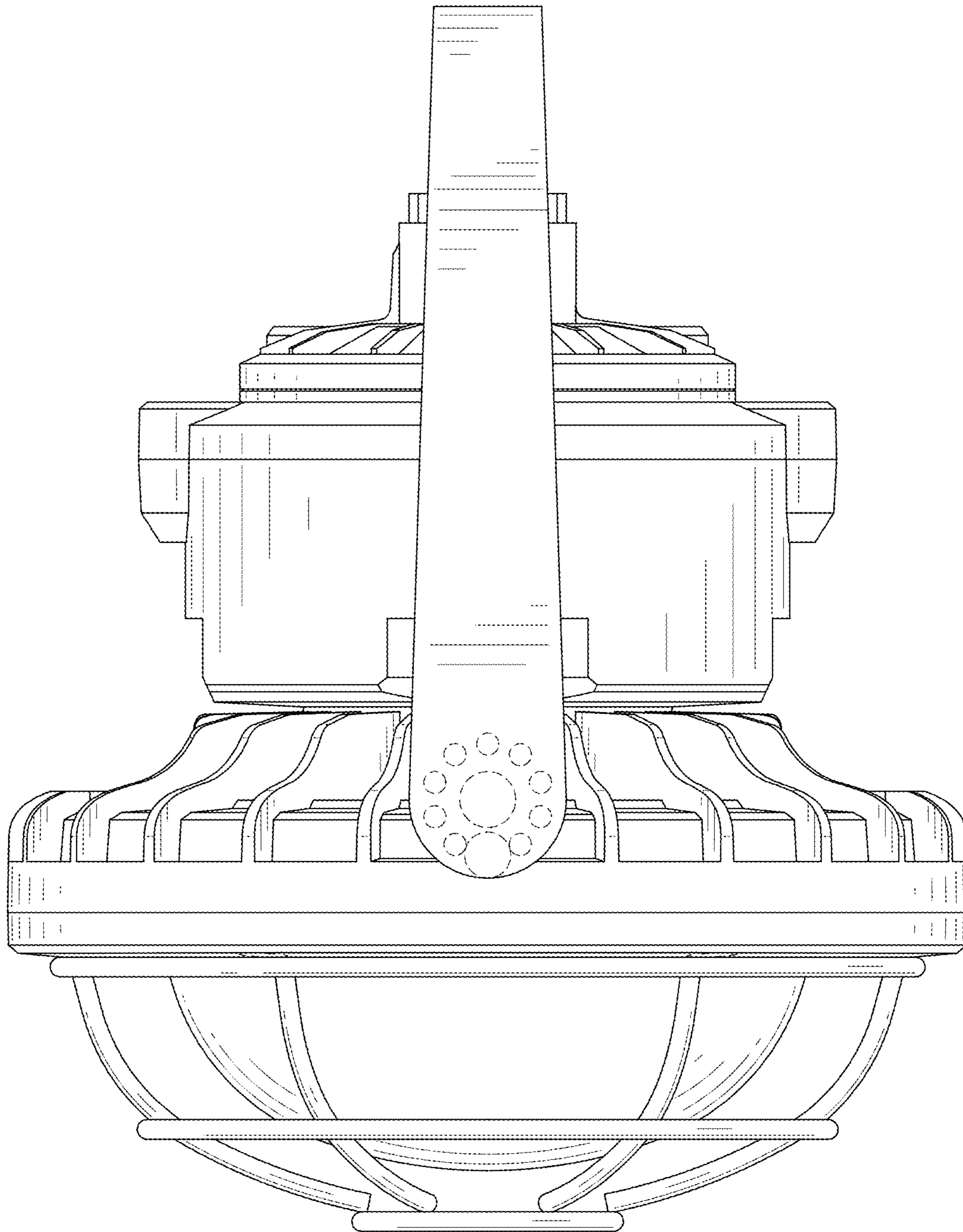


FIG. 14

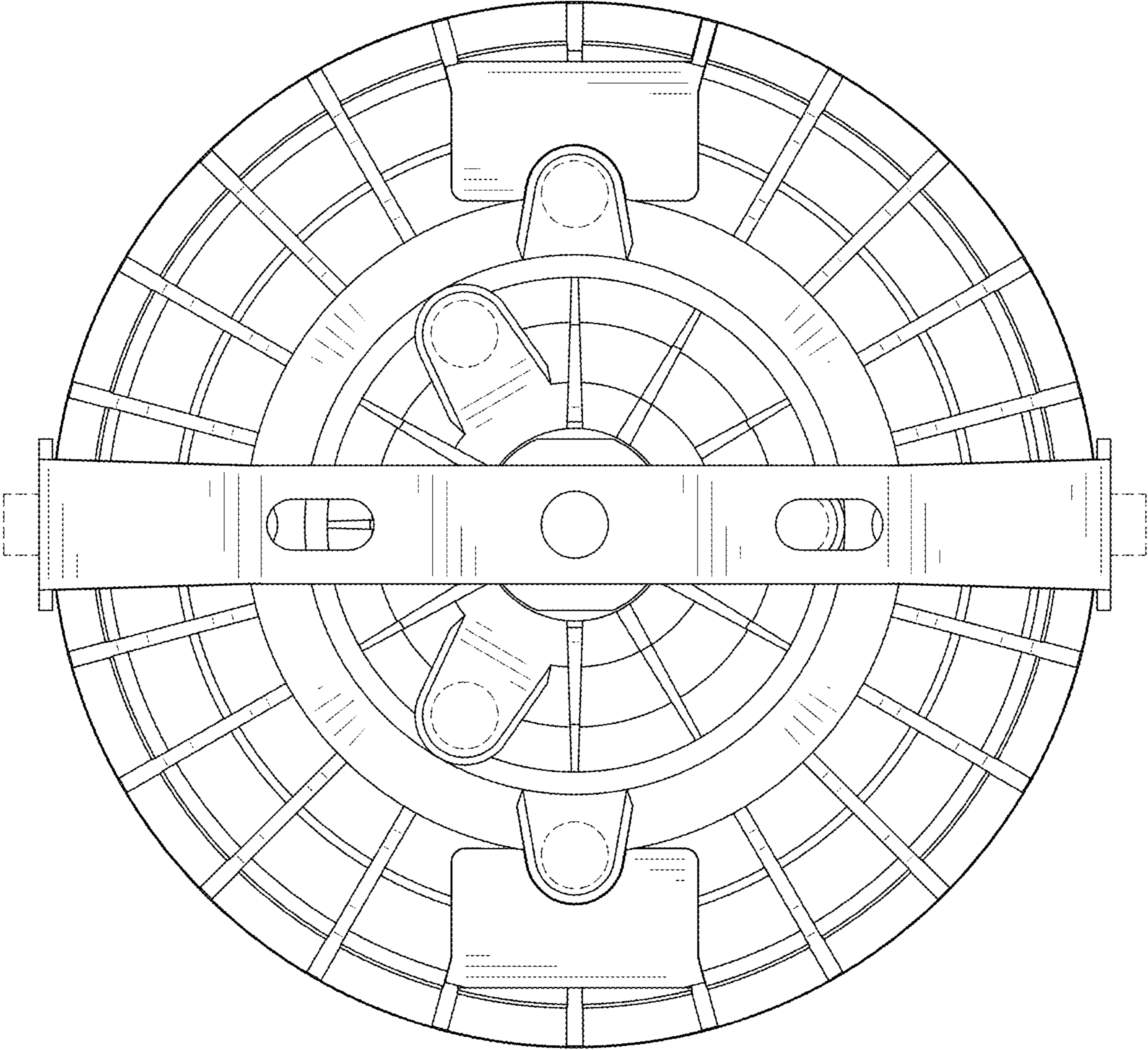


FIG. 15

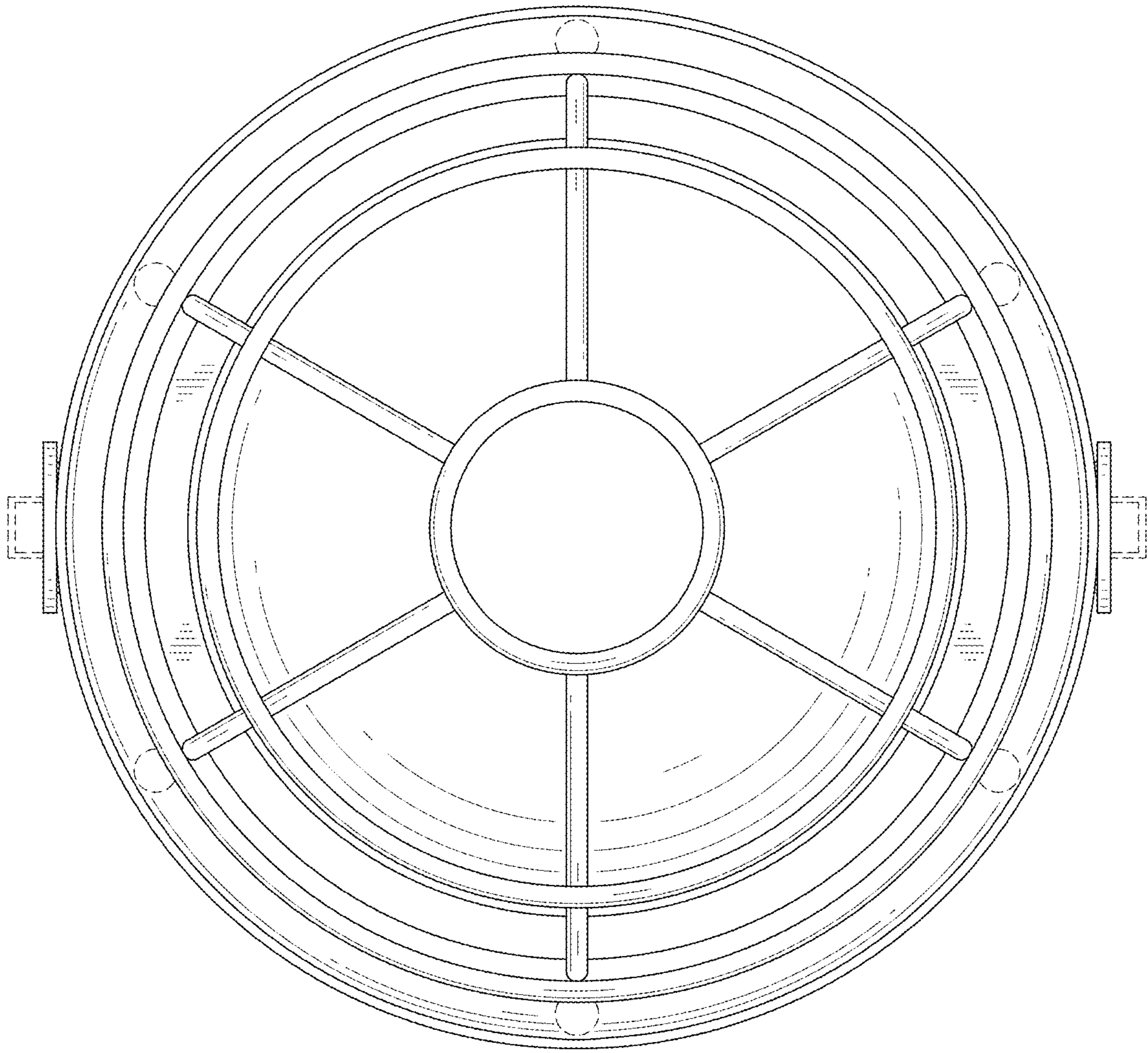


FIG. 16