



US00D901742S

(12) **United States Design Patent** (10) **Patent No.:** **US D901,742 S**  
**Fu** (45) **Date of Patent:** **\*\* Nov. 10, 2020**

(54) **HOUSE NUMBER LIGHT**

(71) Applicant: **Chuanqi Fu**, Fuzhou (CN)

(72) Inventor: **Chuanqi Fu**, Fuzhou (CN)

(\*\*) Term: **15 Years**

(21) Appl. No.: **29/735,826**

(22) Filed: **May 25, 2020**

(51) **LOC (12) Cl.** ..... **26-05**

(52) **U.S. Cl.**  
USPC ..... **D26/67**

(58) **Field of Classification Search**  
USPC ..... D26/63, 67-70, 85  
CPC .. F21S 8/081; F21S 8/083; F21S 8/088; F21S  
9/03; F21S 9/035; F21S 9/037; F21V  
21/0824; F21W 2111/02; F21W 2111/023;  
F21W 2131/109; G09F 13/0404; G09F  
2013/0431

See application file for complete search history.

(56) **References Cited**

**U.S. PATENT DOCUMENTS**

D91,222 S *	12/1933	Tuck	.....	D26/68
D211,749 S *	7/1968	Smith	.....	D26/67
D214,461 S *	6/1969	Gardner	.....	D26/67
6,341,441 B1 *	1/2002	Morales	.....	G09F 13/04 362/253
D496,485 S	9/2004	Stekelenburg		
D517,233 S *	3/2006	Doppelt	.....	D26/67
D529,217 S *	9/2006	Wood	.....	G09F 13/04 D26/67
D574,539 S *	8/2008	Sanoner	.....	D26/67
D597,698 S *	8/2009	Lee	.....	D26/68

D663,460 S *	7/2012	Wauters	.....	D26/68
D732,222 S *	6/2015	Recker	.....	D26/68
D777,969 S	1/2017	Fair		
D887,062 S *	6/2020	Kowalenko	.....	D26/67
2014/0362564 A1 *	12/2014	Giblett	.....	F21S 9/035 362/183
2016/0260363 A1 *	9/2016	Hall	.....	G09F 13/0404

**OTHER PUBLICATIONS**

Sungath Lighted House Address Numbers Sign, available at amazon.com Aug. 6, 2019. (Year: 2019).\*  
Solar Backlit Address Sign Post from shop 'HomeSignStuff' at etsy.com, visited Sep. 17, 2020. (Year: 2020).\*

\* cited by examiner

*Primary Examiner* — Clare E Heflin  
(74) *Attorney, Agent, or Firm* — ScienBiziP, P.C.

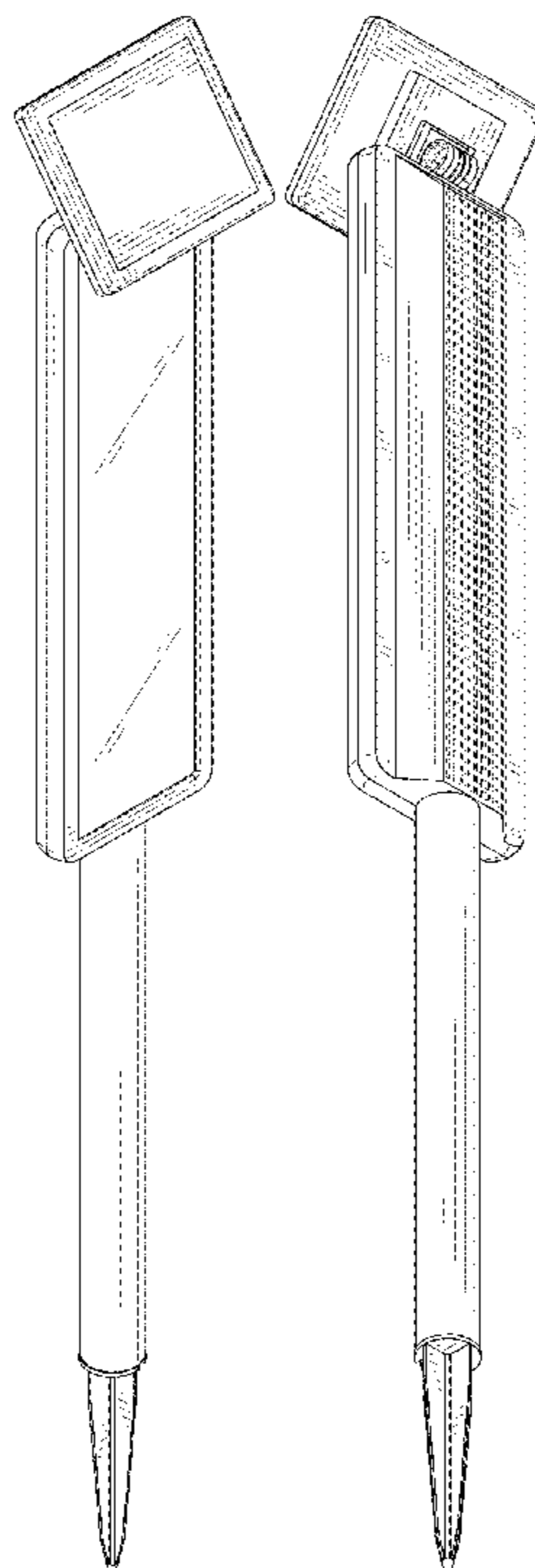
(57) **CLAIM**

The ornamental design for a house number light, as shown and described.

**DESCRIPTION**

FIG. 1 is a front and left perspective view of a house number light, showing my design;  
FIG. 2 is back and right perspective view thereof;  
FIG. 3 is a front elevation view thereof;  
FIG. 4 is a rear elevation view thereof;  
FIG. 5 is a left side elevation view thereof;  
FIG. 6 is a right side elevation view thereof;  
FIG. 7 is a top plan view thereof; and,  
FIG. 8 is a bottom plan view thereof.  
The broken lines shown on the drawings depict portions of the house number light that form no part of the claimed design.

**1 Claim, 8 Drawing Sheets**



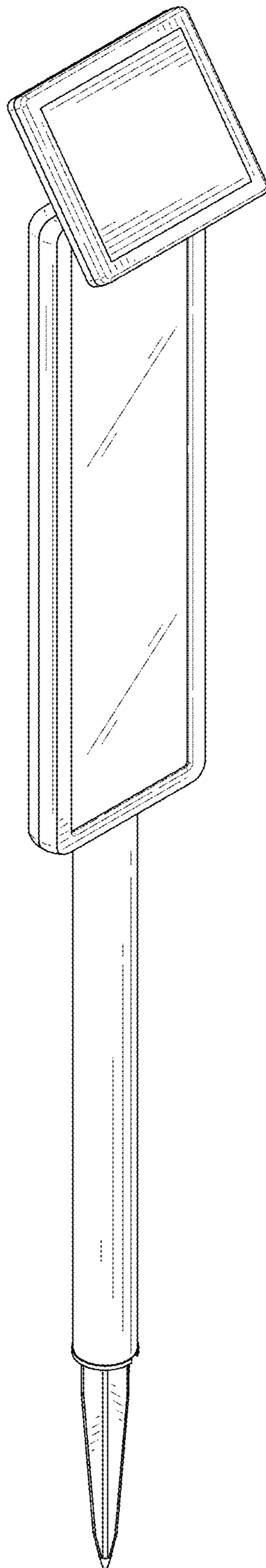


FIG. 1

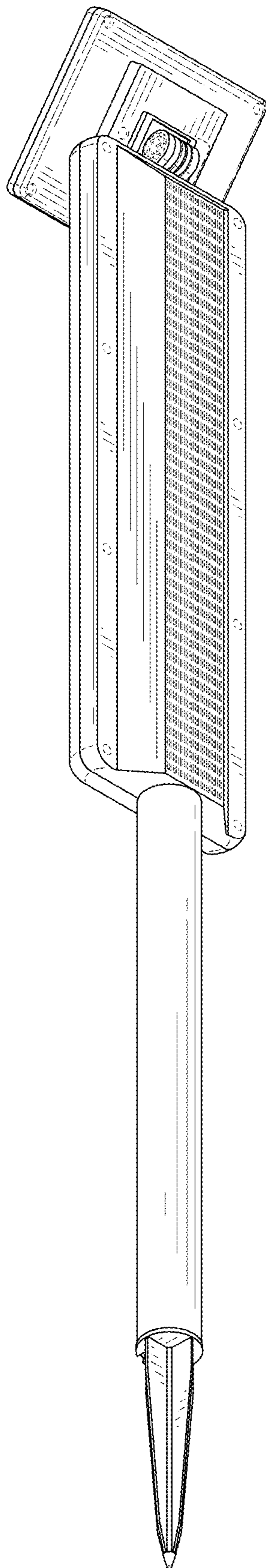


FIG. 2

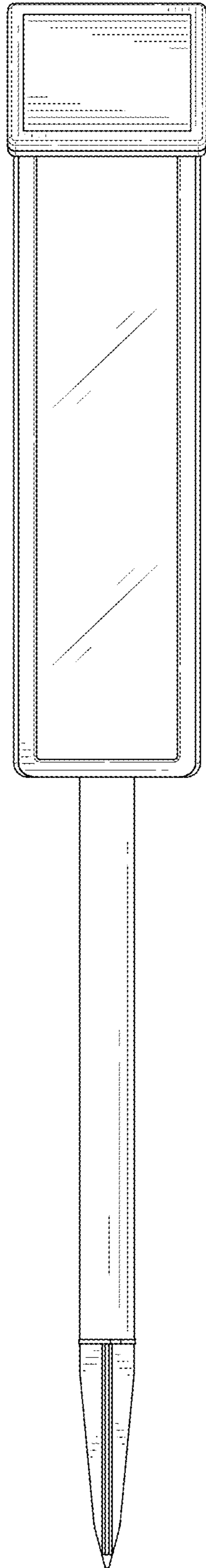


FIG. 3

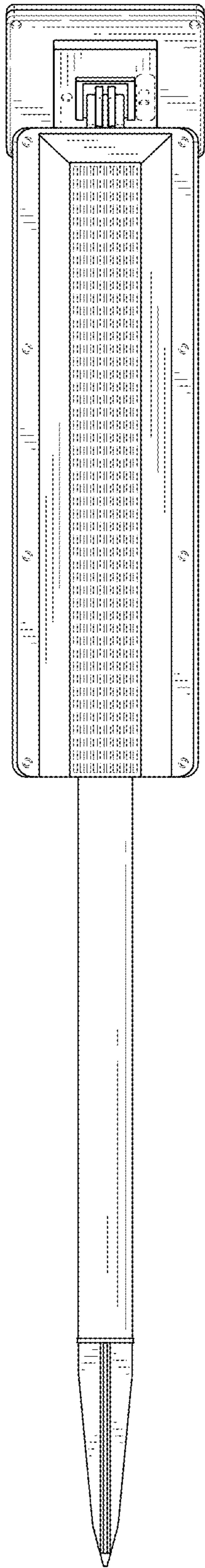


FIG. 4

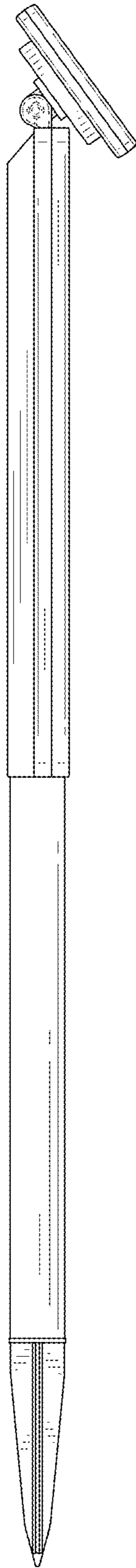


FIG. 5

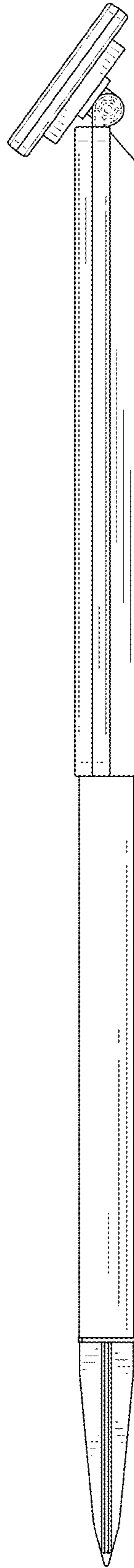


FIG. 6

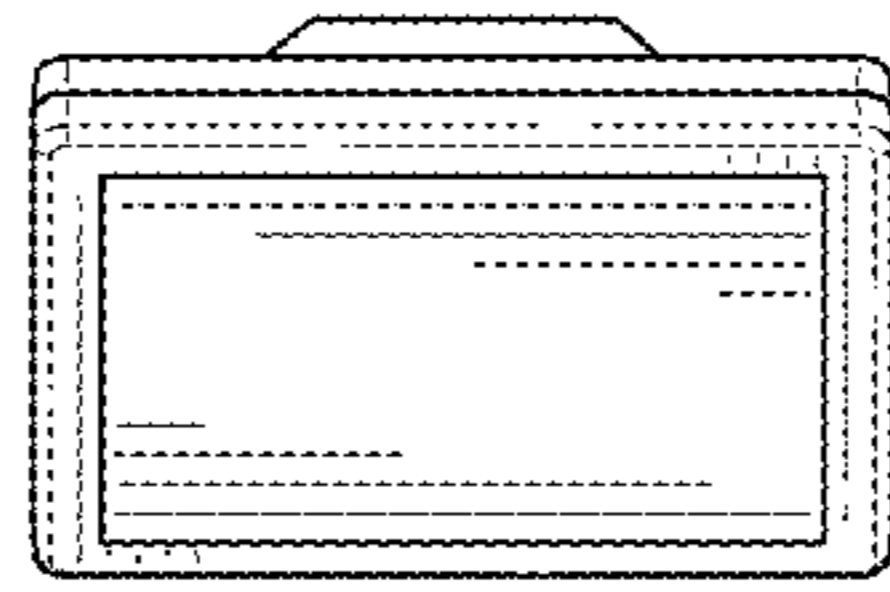


FIG. 7



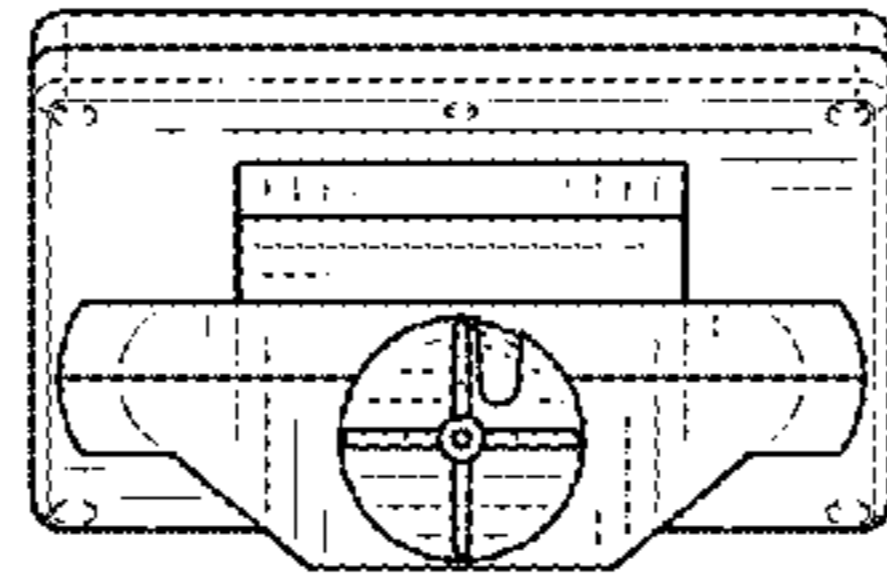


FIG. 8



US00D901742C1

(12) **EX PARTE REEXAMINATION CERTIFICATE** (12055th)  
**United States Patent**  
**Fu**

(10) **Number:** **US D901,742 C1**  
(45) **Certificate Issued:** **May 16, 2022**

(54) **HOUSE NUMBER LIGHT**

(71) Applicant: **Chuanqi Fu**, Fuzhou (CN)

(72) Inventor: **Chuanqi Fu**, Fuzhou (CN)

**Reexamination Request:**

No. 90/014,781, Jun. 23, 2021

**Reexamination Certificate for:**

Patent No.: **Des. 901,742**  
Issued: **Nov. 10, 2020**  
Appl. No.: **29/735,826**  
Filed: **May 25, 2020**

(51) **LOC (13) Cl.** ..... **26-05**

(52) **U.S. Cl.**  
USPC ..... **D26/67**

(58) **Field of Classification Search**

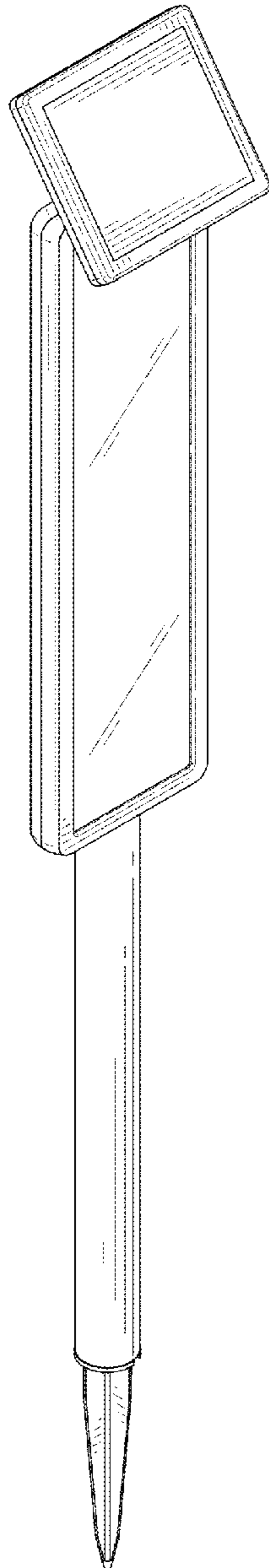
USPC ..... D26/63, 67-70, 85, 130-136  
CPC .. F21S 8/081; F21S 8/083; F21S 8/088; F21S  
9/03; F21S 9/032; F21S 9/035; F21V  
21/0824; F21W 2111/02; F21W 2111/023;  
F21W 2131/109

See application file for complete search history.

(56) **References Cited**

To view the complete listing of prior art documents cited during the proceeding for Reexamination Control Number 90/014,781, please refer to the USPTO's public Patent Application Information Retrieval (PAIR) system under the Display References tab.

*Primary Examiner* — Darlington Ly



**1**  
**EX PARTE**  
**REEXAMINATION CERTIFICATE**

NO AMENDMENTS HAVE BEEN MADE TO 5  
THE PATENT

AS A RESULT OF REEXAMINATION, IT HAS BEEN  
DETERMINED THAT:

The patentability of claim 1 is confirmed. 10

\* \* \* \* \*