



US00D901740S

(12) **United States Design Patent**  
**Bao**

(10) **Patent No.:** **US D901,740 S**

(45) **Date of Patent:** **\*\* Nov. 10, 2020**

(54) **HANDHELD FLOODLIGHT**

(71) Applicant: **YUYAO YUCHANG ELECTRICAL APPLIANCE CO., LTD.**, Zhejiang (CN)

(72) Inventor: **Yong Bao**, Zhejiang (CN)

(73) Assignee: **YUYAO YUCHANG ELECTRICAL APPLIANCE CO., LTD.**, Zhejiang (CN)

(\*\*) Term: **15 Years**

(21) Appl. No.: **29/682,814**

(22) Filed: **Mar. 8, 2019**

(30) **Foreign Application Priority Data**

Sep. 28, 2018 (CN) ..... 2018 3 0547750

(51) **LOC (12) Cl.** ..... **26-05**

(52) **U.S. Cl.**  
USPC ..... **D26/63; D26/44**

(58) **Field of Classification Search**  
USPC .... D26/1, 24, 37, 40-41, 44, 46, 49-50, 61, D26/63, 65, 85, 92  
CPC ..... F21L 14/02; F21L 14/003; F21L 14/043; F21V 21/14; F21V 21/30; F21V 21/00; F21V 15/01; F21V 14/02; F21V 14/00; F21S 8/00  
See application file for complete search history.

(56) **References Cited**

**U.S. PATENT DOCUMENTS**

D354,558 S \* 1/1995 Marvin ..... D23/332  
5,720,543 A \* 2/1998 Sheps ..... F21L 15/02  
362/196  
D417,024 S \* 11/1999 Stuyfzand ..... D26/63  
D518,218 S \* 3/2006 Roberge ..... D26/63  
D548,868 S \* 8/2007 Roberge ..... D26/63

D613,440 S \* 4/2010 Lindholm ..... D26/63  
D629,547 S \* 12/2010 Salm ..... D26/63  
D654,387 S \* 2/2012 Wilson ..... D10/114.2  
D693,500 S \* 11/2013 Souvay ..... D26/51  
D732,220 S \* 6/2015 Bao ..... D26/63  
D732,613 S \* 6/2015 Davies, III ..... D21/680  
D779,096 S \* 2/2017 Xu ..... D26/63  
D789,581 S \* 6/2017 Peard ..... D26/61  
D797,338 S \* 9/2017 Wang ..... D26/63  
D797,339 S \* 9/2017 Wang ..... D26/63  
D803,449 S \* 11/2017 Xu ..... D26/63  
D806,299 S \* 12/2017 Gebhard ..... D26/63  
D817,531 S \* 5/2018 Bao ..... D26/63  
D835,319 S \* 12/2018 Luke ..... D26/63  
D844,207 S \* 3/2019 Zhang ..... D26/63  
D872,390 S \* 1/2020 Crane ..... D30/160  
D875,284 S \* 2/2020 Cacciabeve ..... D26/37  
D880,036 S \* 3/2020 Qiu ..... D26/63

(Continued)

*Primary Examiner* — Sheryl Lane

*Assistant Examiner* — Stacey L Hopkins

(74) *Attorney, Agent, or Firm* — JCIPRNET

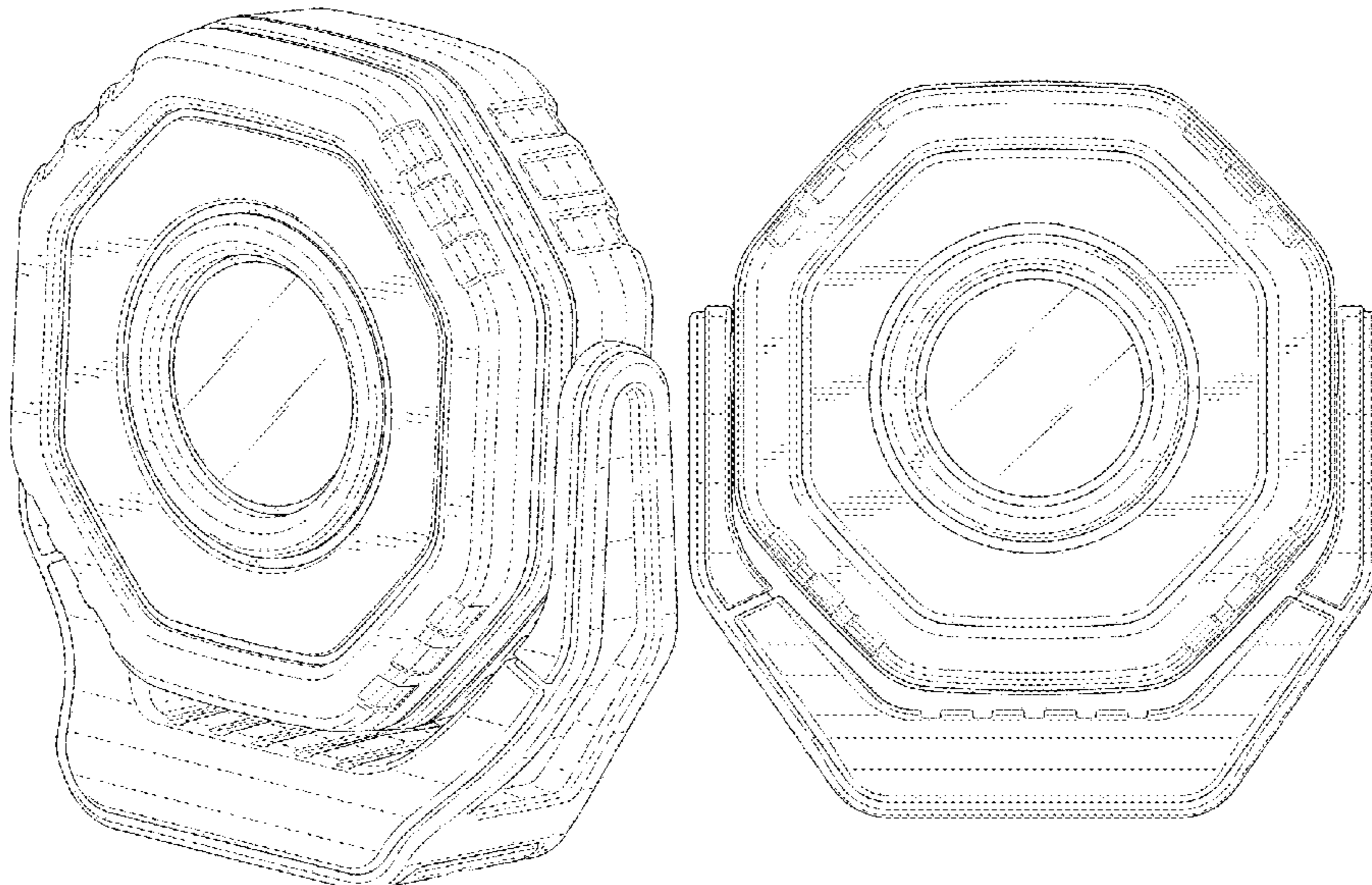
(57) **CLAIM**

The ornamental design for a handheld floodlight, as shown and described.

**DESCRIPTION**

FIG. 1 is a perspective view of a handheld floodlight showing my new design;  
FIG. 2 is a front view thereof;  
FIG. 3 is a rear view thereof;  
FIG. 4 is a left side view thereof;  
FIG. 5 is a right side view thereof;  
FIG. 6 is an enlarged top view thereof;  
FIG. 7 is an enlarged bottom view thereof; and,  
FIG. 8 is a perspective view thereof with the light emitting portion rotated.  
The broken lines show unclaimed portions of the article and form no part of the claimed design.

**1 Claim, 6 Drawing Sheets**



(56)

**References Cited**

U.S. PATENT DOCUMENTS

10,578,285 B2 \* 3/2020 Li ..... F21V 21/0824  
D886,352 S \* 6/2020 Hu ..... D26/63  
2018/0224078 A1 \* 8/2018 Bian ..... F21V 23/0414

\* cited by examiner

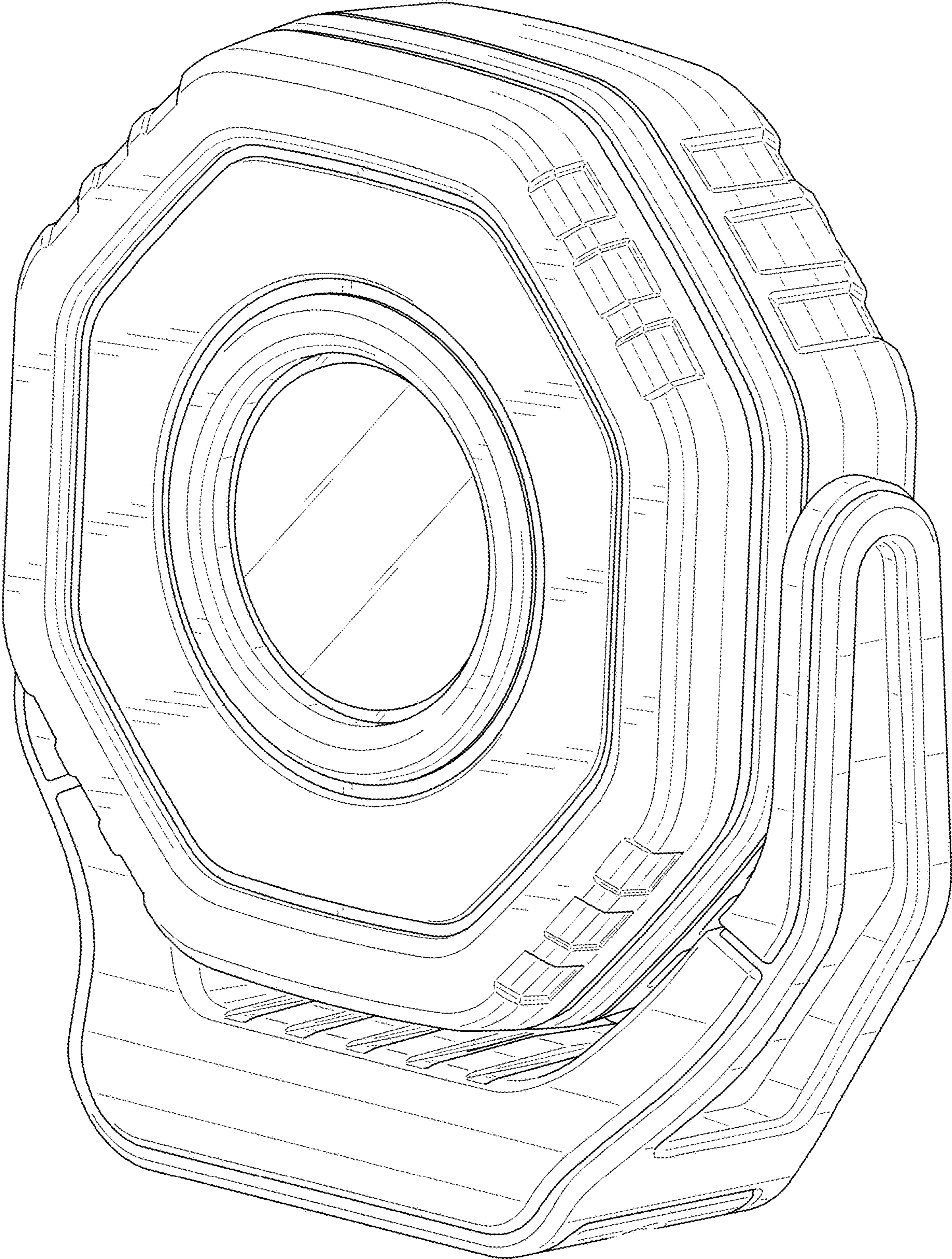


FIG. 1

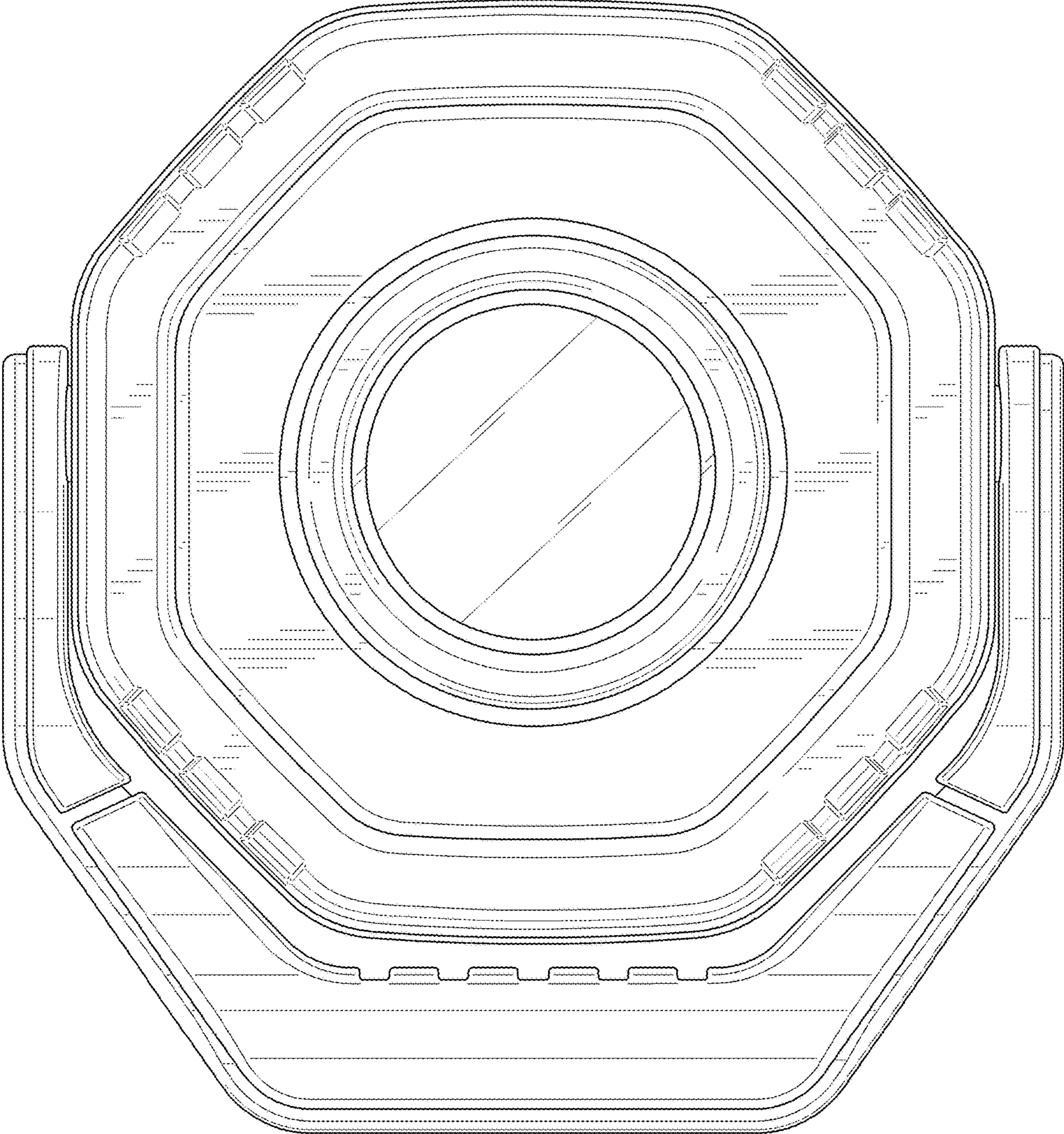


FIG. 2

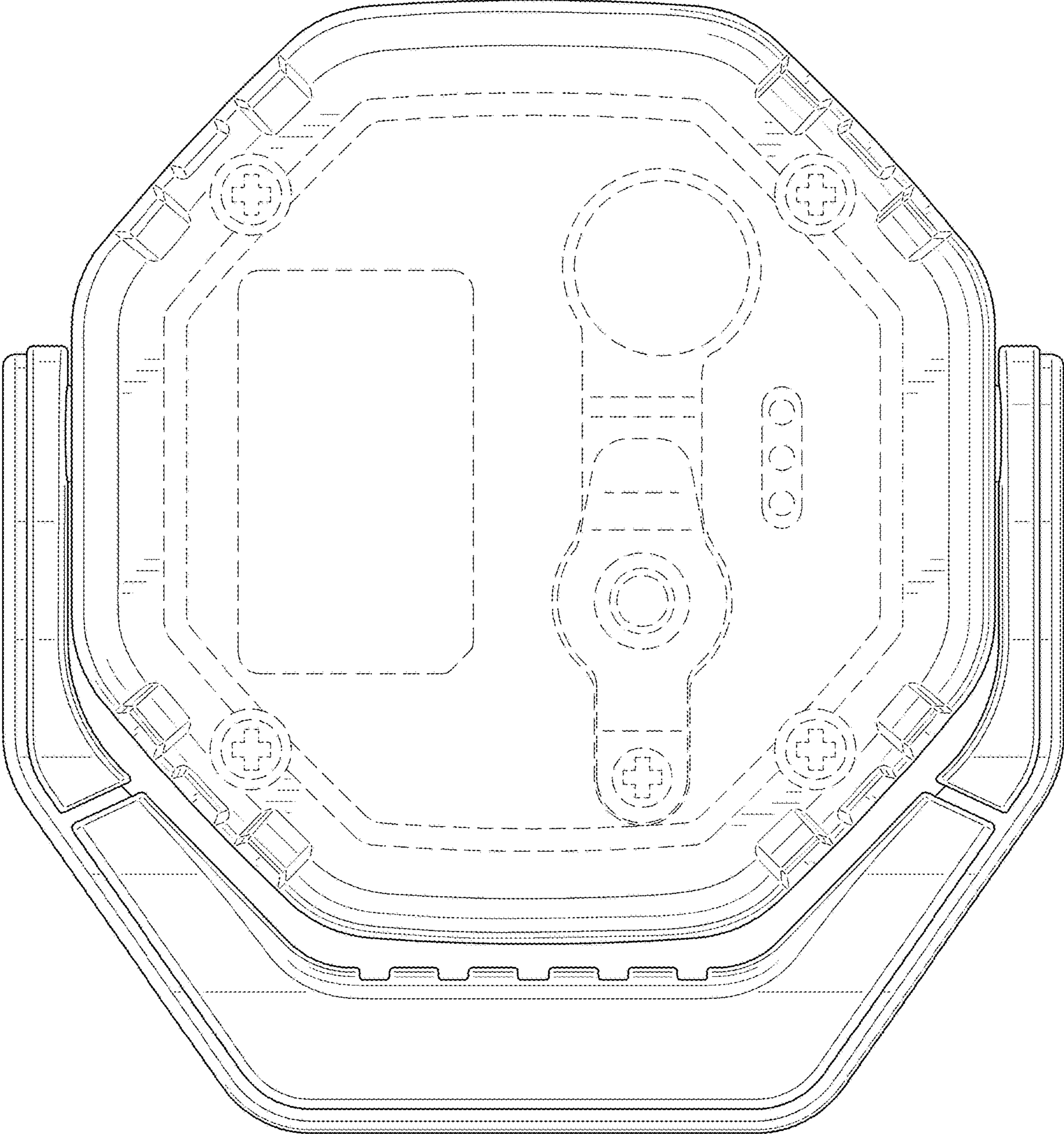


FIG. 3

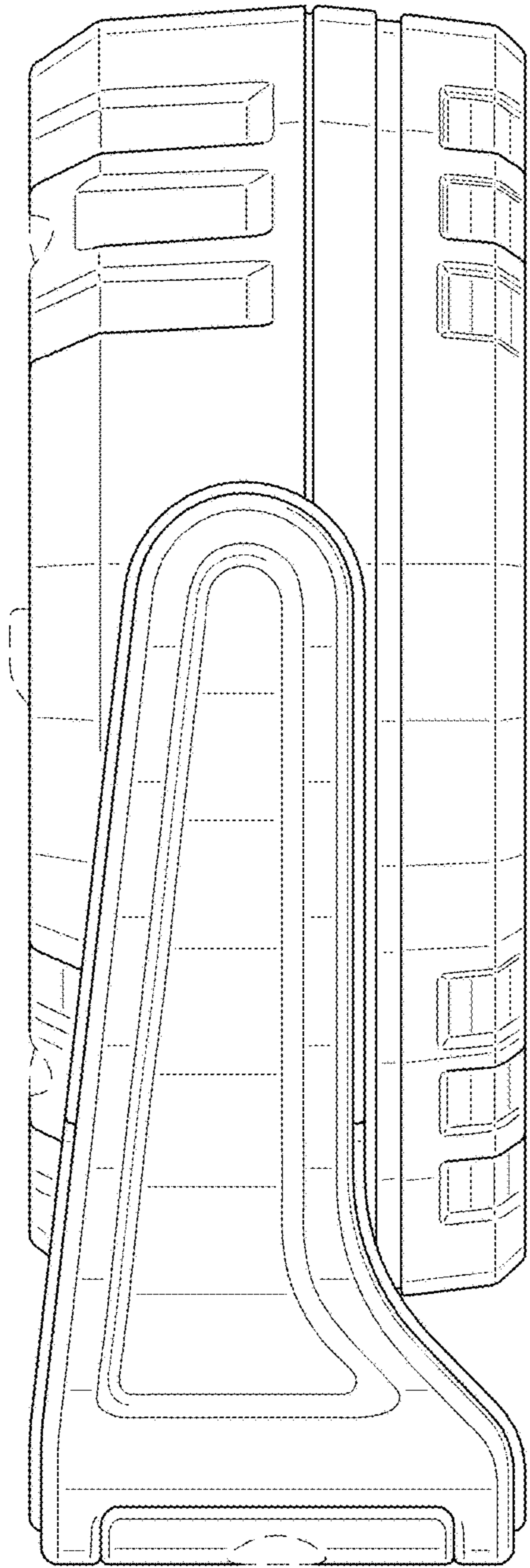


FIG. 4

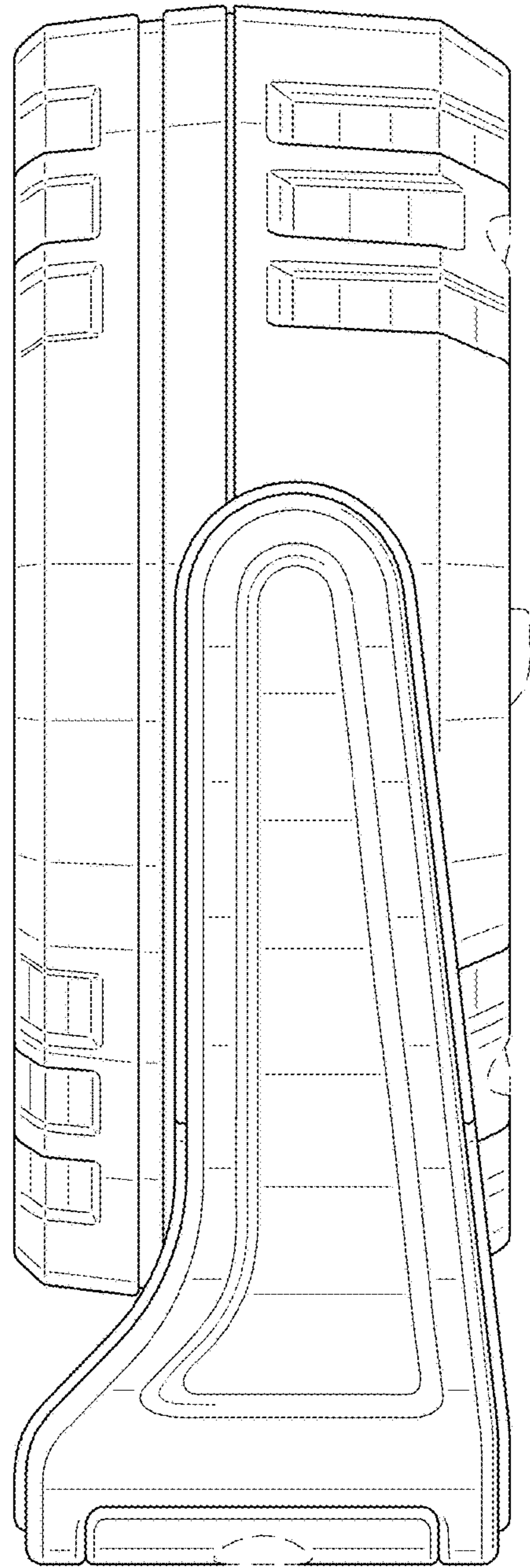


FIG. 5

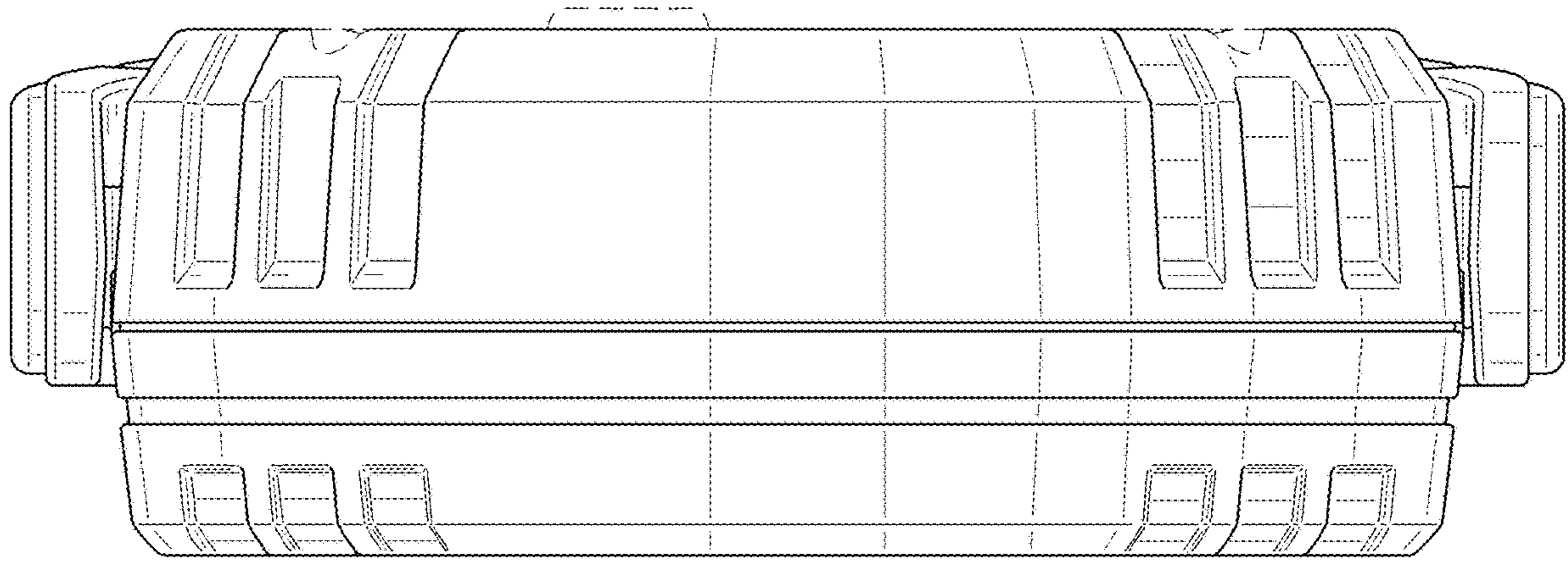


FIG. 6

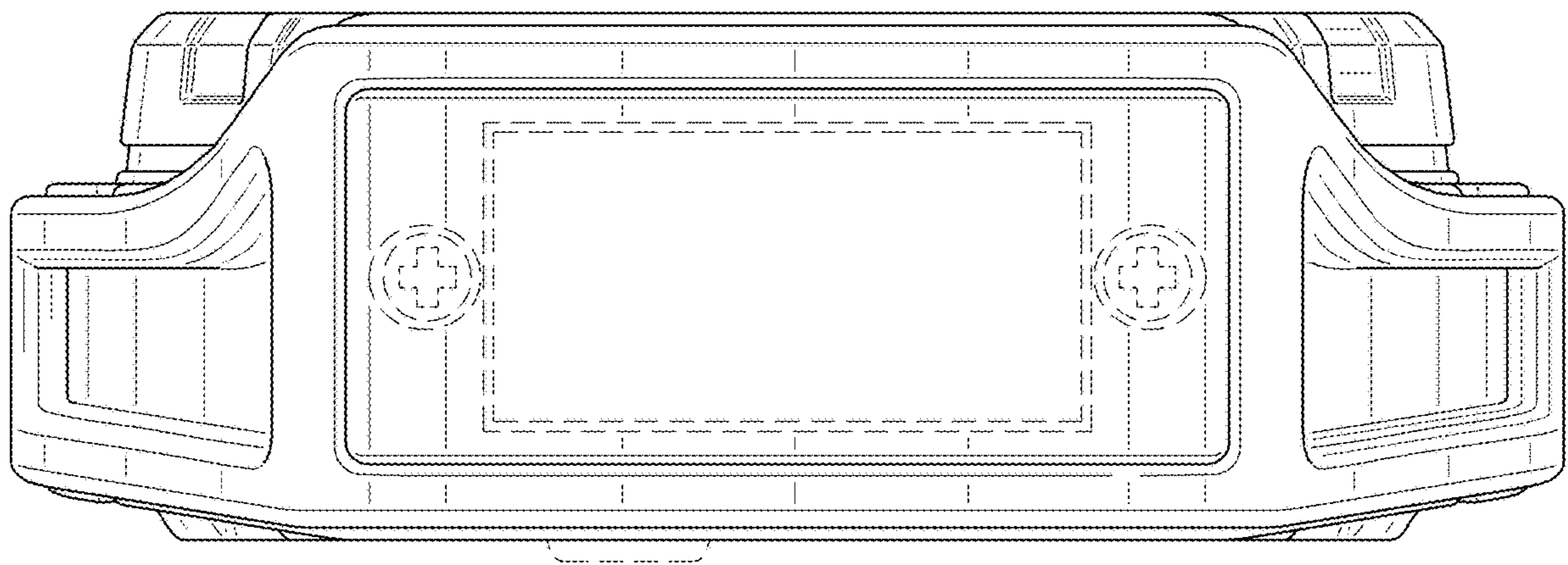


FIG. 7

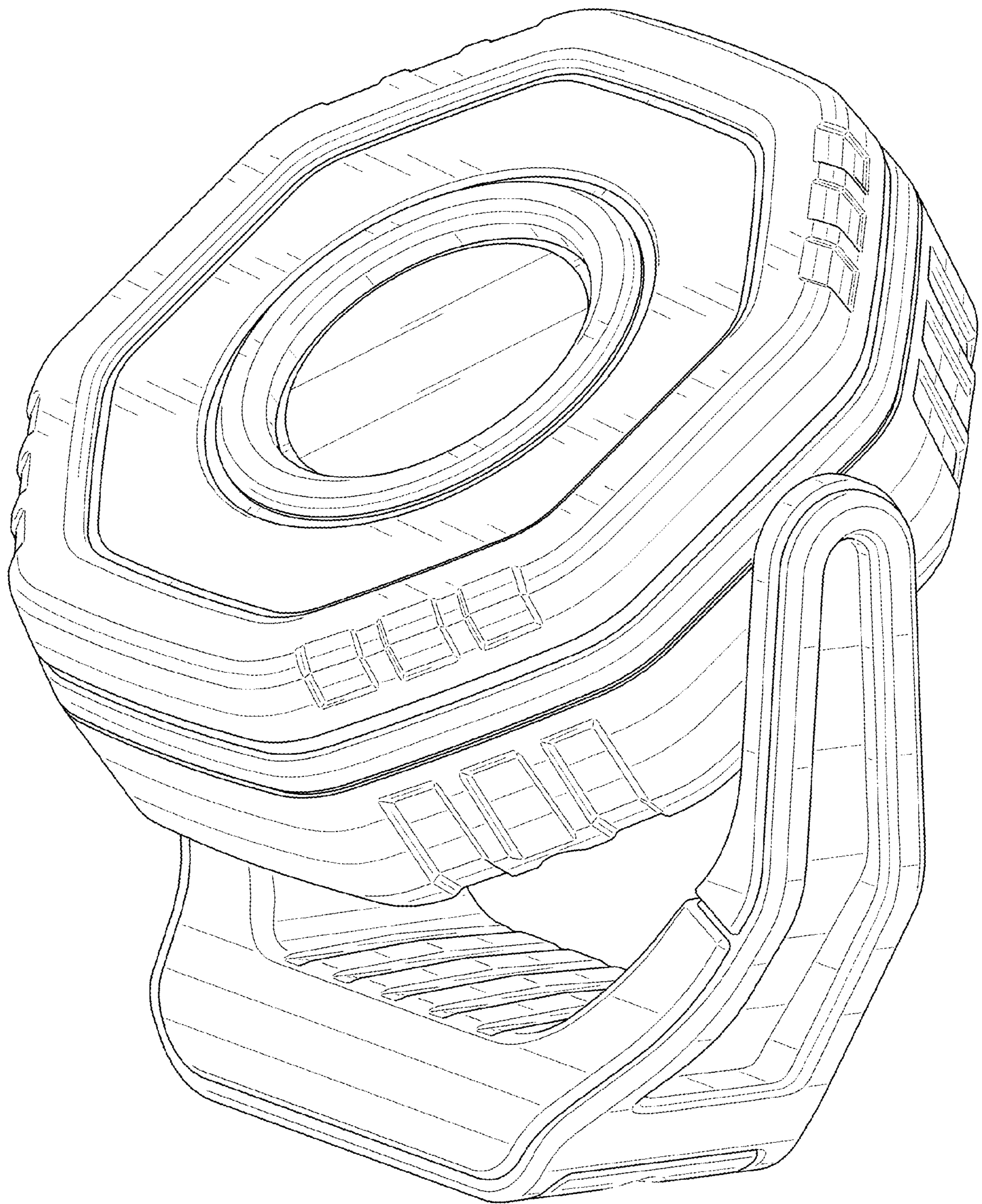


FIG. 8