

US00D901738S

(12) **United States Design Patent** (10) **Patent No.:** **US D901,738 S**  
**Muyschondt** (45) **Date of Patent:** **\*\* Nov. 10, 2020**

(54) **FLASHLIGHT**  
(71) Applicant: **Muyschondt Enterprises, Inc.**, Leander, TX (US)  
(72) Inventor: **Jorge Enrique Muyschondt**, Austin, TX (US)  
(73) Assignee: **Muyschondt Enterprises, Inc.**, Leander, TX (US)  
(\*\*) Term: **15 Years**

D593,239 S \* 5/2009 Caniparoli ..... D26/49  
D593,240 S \* 5/2009 Caniparoli ..... D26/49  
D659,870 S 5/2012 Cooper  
D675,357 S 1/2013 Shi  
D675,358 S 1/2013 Brands  
D709,231 S 7/2014 Nguyen  
D713,576 S \* 9/2014 Popper ..... D26/113  
D713,982 S 9/2014 Tompkin  
D716,983 S 11/2014 Ma  
D719,286 S \* 12/2014 Inskeep ..... D26/49  
D725,302 S 3/2015 Popper  
D734,519 S 7/2015 Shen  
D734,885 S 7/2015 Brown

(Continued)

(21) Appl. No.: **29/612,699**  
(22) Filed: **Aug. 3, 2017**  
(51) **LOC (12) Cl.** ..... **26-02**  
(52) **U.S. Cl.**  
USPC ..... **D26/49**  
(58) **Field of Classification Search**  
USPC ..... D26/37-51  
CPC ..... F21L 2003/00; F21L 4/00; F21L 4/005;  
F21L 4/02; F21L 4/025; F21L 4/027;  
F21L 4/04; F21L 4/08; F21L 2005/00;  
F21L 7/00; F21L 13/00; F21L 13/04;  
F21L 13/08; F21L 14/02; F21L 17/00;  
F21L 19/00; F21L 25/00  
See application file for complete search history.

**OTHER PUBLICATIONS**

Office Action dated Jan. 28, 2019 for U.S. Appl. No. 29/606,183 (pp. 1-5).

(Continued)

*Primary Examiner* — Lakiya G Rogers  
*Assistant Examiner* — Carissa C Fitts  
(74) *Attorney, Agent, or Firm* — Koffsky Schwalb LLC; Mark I. Koffsky

(57) **CLAIM**

The ornamental design for a flashlight, as shown and described.

(56) **References Cited**

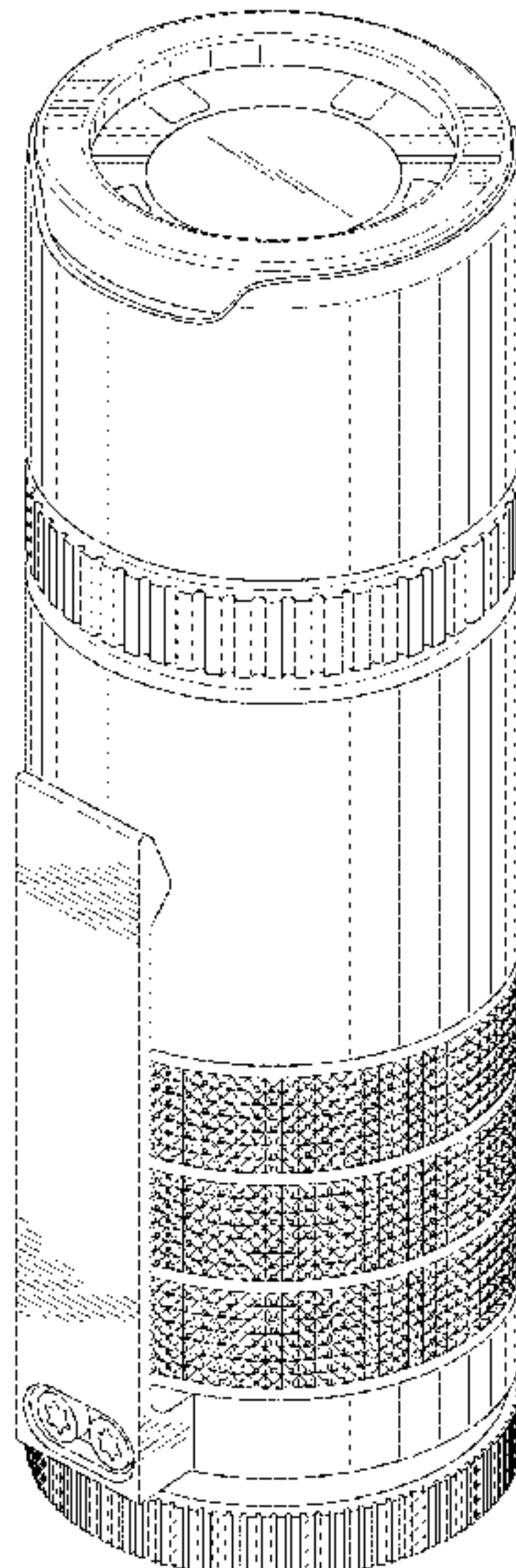
**U.S. PATENT DOCUMENTS**

D419,704 S \* 1/2000 Ting ..... D26/37  
D515,719 S \* 2/2006 Shiu ..... D26/37  
D521,166 S \* 5/2006 Yamamoto ..... D26/37  
D521,666 S \* 5/2006 Chean ..... D26/37  
D532,543 S \* 11/2006 Julius ..... D26/49  
D551,369 S \* 9/2007 Mah ..... D26/37  
D557,839 S \* 12/2007 Shiu ..... D26/37  
D563,007 S \* 2/2008 Opolka ..... D26/49  
D577,449 S \* 9/2008 Shiu ..... D26/49  
D578,687 S \* 10/2008 Hong ..... D26/37  
D583,492 S \* 12/2008 Jen ..... D26/40

**DESCRIPTION**

FIG. 1 is an upper perspective view of a flashlight in accordance with the present invention.  
FIG. 2 is an lower perspective view thereof.  
FIG. 3 is a front view thereof.  
FIG. 4 is a rear view thereof.  
FIG. 5 is a left view thereof.  
FIG. 6 is a right view thereof.  
FIG. 7 is a top view thereof; and,  
FIG. 8 is a bottom view thereof.

**1 Claim, 7 Drawing Sheets**



(56)

**References Cited**

U.S. PATENT DOCUMENTS

D743,594	S	*	11/2015	Scazziga .....	D26/37
D743,599	S	*	11/2015	Robinson .....	D26/49
D744,136	S	*	11/2015	Osiecki .....	D26/49
D745,987	S	*	12/2015	Nawaz .....	D22/117
D746,500	S	*	12/2015	Brown .....	D26/49
D748,309	S	*	1/2016	Cheng .....	D22/117
D767,188	S	*	9/2016	Jigamian .....	D26/113
D767,805	S		9/2016	Son	
D783,193	S		4/2017	Kao	
D802,192	S	*	11/2017	Windom .....	D26/49
D809,171	S	*	1/2018	Ma .....	D26/49
D814,088	S	*	3/2018	Cao .....	D26/49
D818,621	S	*	5/2018	Kunzendorf .....	D26/49
D823,509	S	*	7/2018	Kunzendorf .....	D26/49
D826,439	S	*	8/2018	Ma .....	D26/49
D827,893	S	*	9/2018	Kunzendorf .....	D26/49
D832,481	S		10/2018	Tang	
D833,050	S		11/2018	Prieto	
D833,051	S		11/2018	Qiu	
D849,976	S	*	5/2019	Koch .....	D26/37
D849,979	S	*	5/2019	Lehovetzki .....	D26/49
D861,215	S	*	9/2019	Sharrah .....	D26/49

OTHER PUBLICATIONS

Office Action dated Apr. 8, 2019 for U.S. Appl. No. 29/606,183 (pp. 1-5).

\* cited by examiner

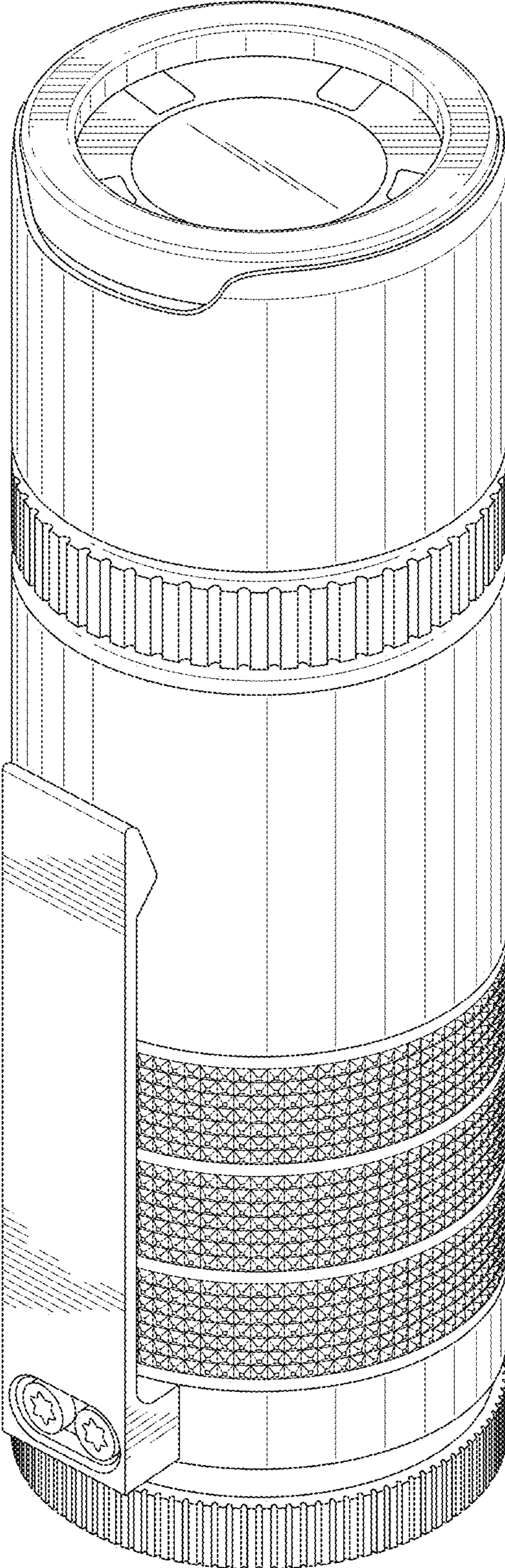


FIG. 1



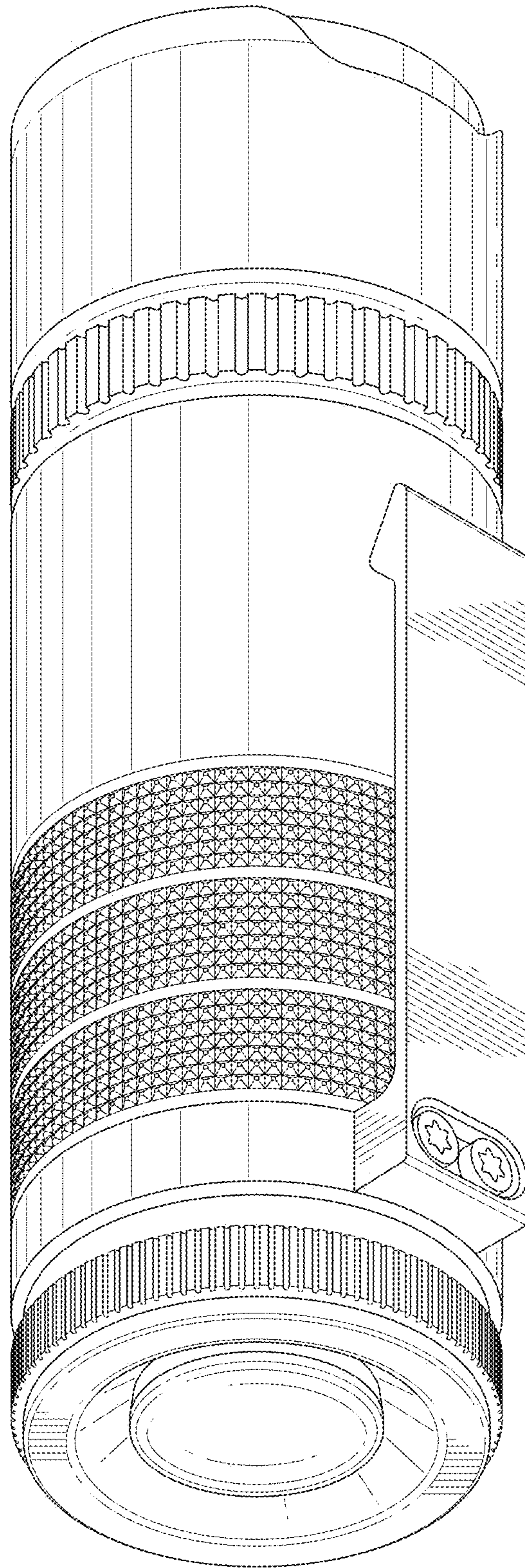


FIG. 2

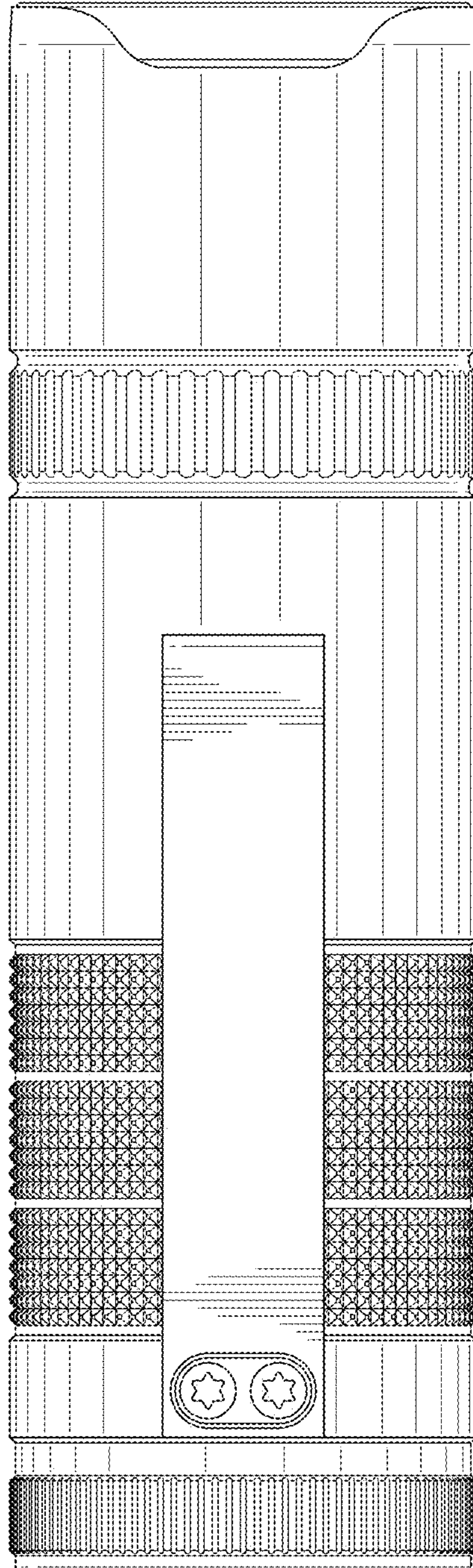


FIG. 3



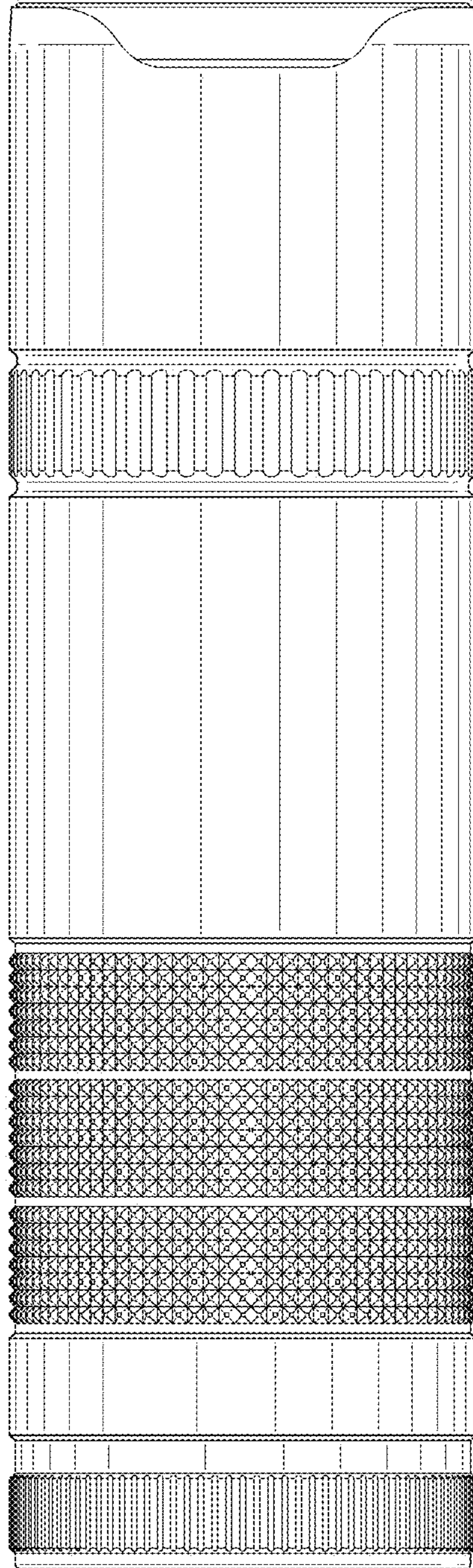


FIG. 4

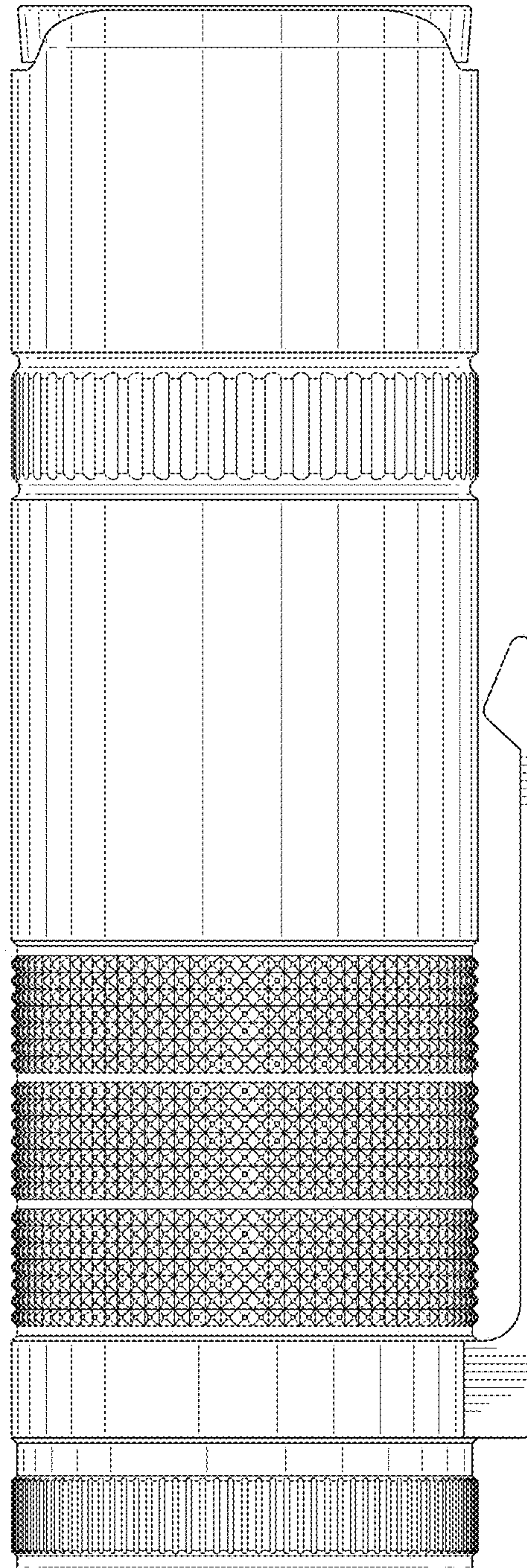


FIG. 5



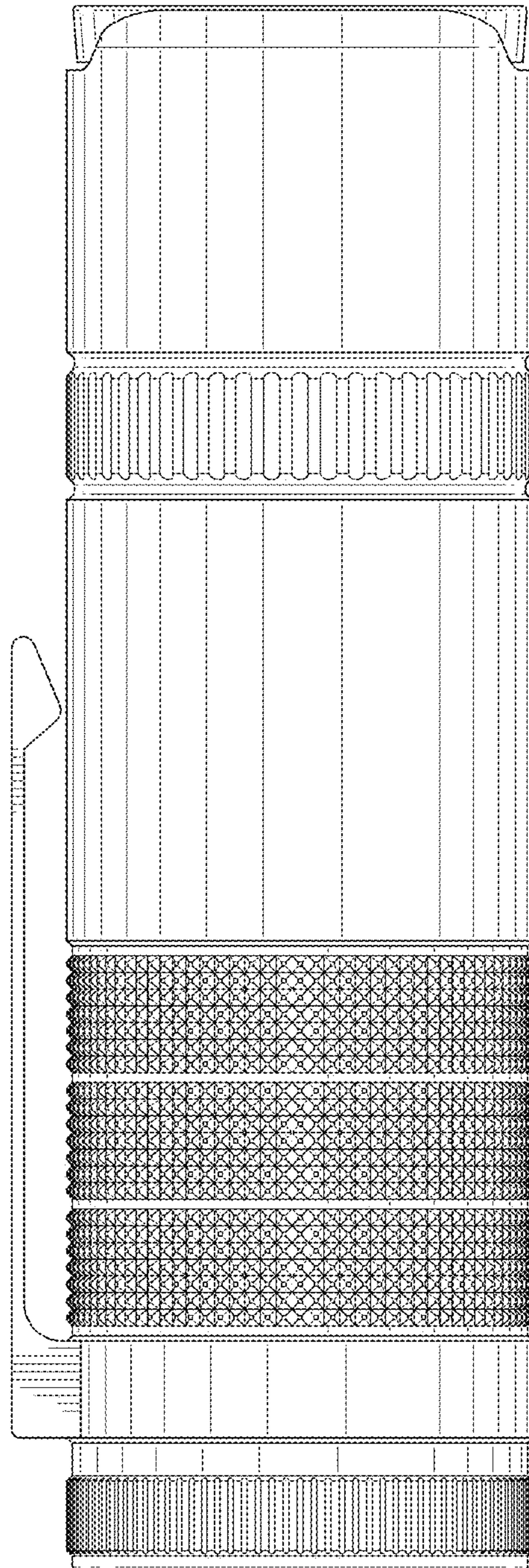


FIG. 6



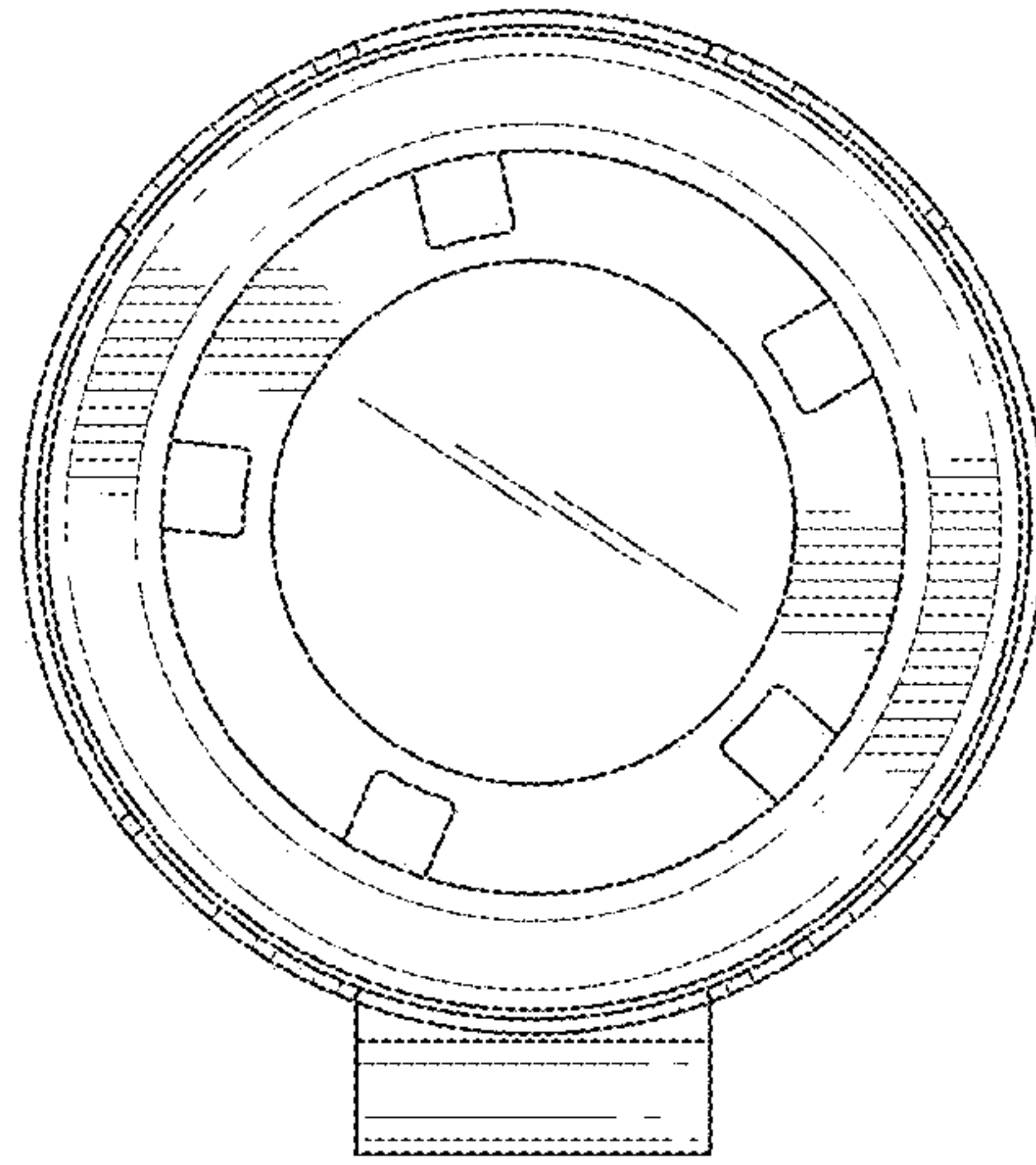


FIG. 7

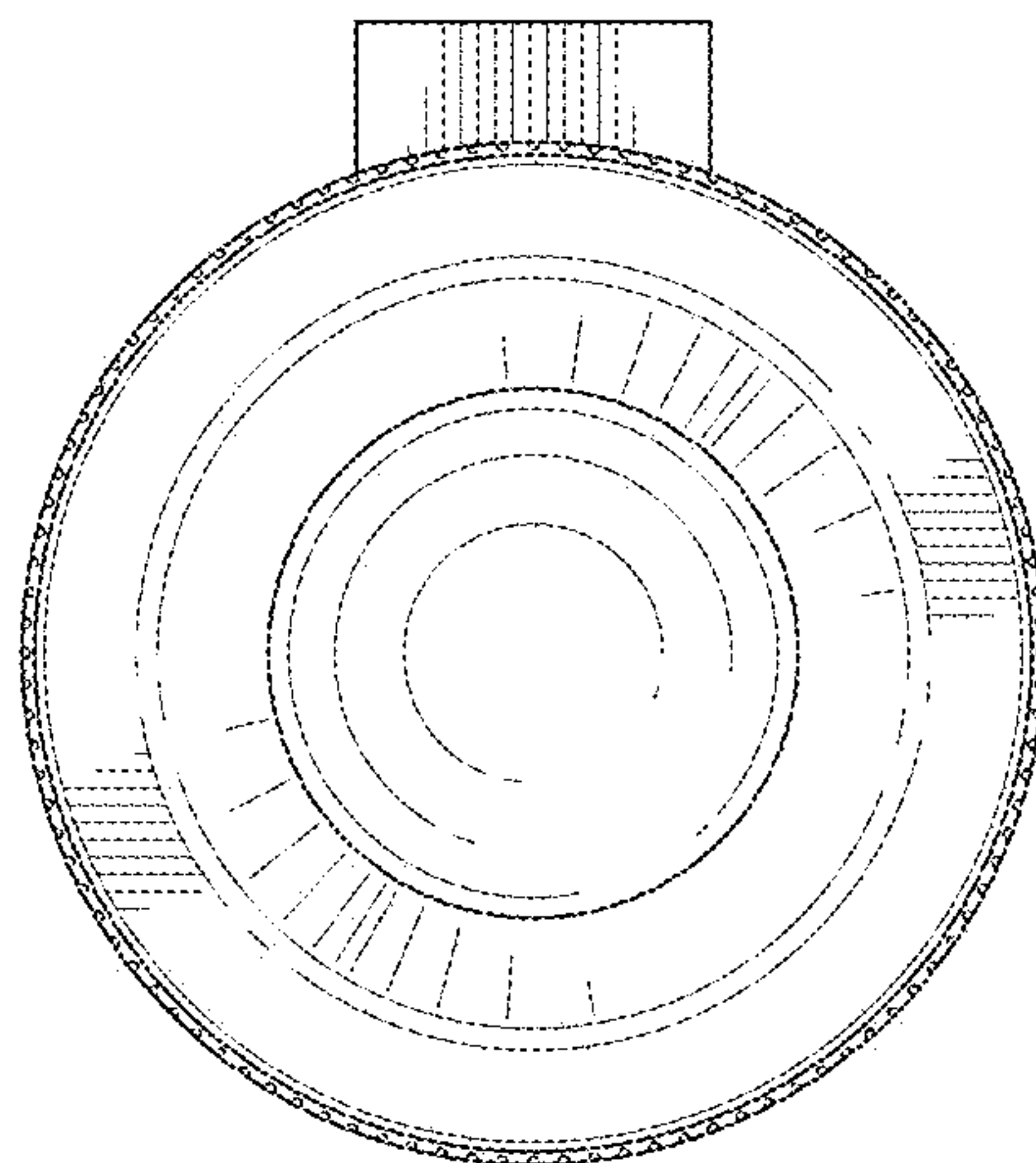


FIG. 8