



US00D901736S

(12) **United States Design Patent**  
**Kunzendorf**

(10) **Patent No.:** **US D901,736 S**

(45) **Date of Patent:** **\*\* Nov. 10, 2020**

(54) **FOREHEAD LAMP**

(71) Applicant: **LEDLENSER GMBH & CO. KG,**  
Solingen (DE)

(72) Inventor: **Andre Kunzendorf,** Wuppertal (DE)

(73) Assignee: **LEDLENSER GMBH & CO. KG,**  
Solingen (DE)

(\*\*) Term: **15 Years**

(21) Appl. No.: **29/637,550**

(22) Filed: **Feb. 20, 2018**

(30) **Foreign Application Priority Data**

Nov. 13, 2017 (WO) ..... 5369001

(51) **LOC (12) Cl.** ..... **26-02**

(52) **U.S. Cl.**  
USPC ..... **D26/39**

(58) **Field of Classification Search**

USPC ..... D26/37-51

CPC ..... F21L 2003/00; F21L 4/00; F21L 4/005;

F21L 4/02; F21L 4/025; F21L 4/027;

F21L 4/04; F21L 4/08; F21L 2005/00;

F21L 7/00; F21L 11/00; F21L 13/00;

F21L 13/04; F21L 13/08; F21L 14/02;

F21L 17/00; F21L 19/00; F21L 25/00

See application file for complete search history.

(56) **References Cited**

**U.S. PATENT DOCUMENTS**

D383,229 S \* 9/1997 Kiichiro ..... D26/39

D499,199 S \* 11/2004 Cooper ..... D26/39

D533,954 S \* 12/2006 Opolka ..... D26/39

D539,952 S \* 4/2007 Iranyi ..... D26/39

D620,160 S \* 7/2010 Kang ..... D26/39

D625,863 S \* 10/2010 Kingston ..... D26/39

D651,732 S \* 1/2012 Hopkins ..... D26/39

D680,250 S \* 4/2013 Opolka ..... D26/39

D715,982 S \* 10/2014 Windom ..... D26/39

D721,842 S \* 1/2015 Opolka ..... D26/39

D724,248 S \* 3/2015 Brands ..... D26/39

D744,135 S \* 11/2015 Menjor ..... D26/39

D747,021 S \* 1/2016 Hunnewell ..... D26/39

D752,259 S \* 3/2016 Hine ..... D26/39

D758,630 S \* 6/2016 Li ..... D26/39

D788,339 S \* 5/2017 Koshiba ..... D26/39

D803,442 S \* 11/2017 Green ..... D26/39

D813,432 S \* 3/2018 Koshiba ..... D26/39

D843,037 S \* 3/2019 Li ..... D26/39

\* cited by examiner

*Primary Examiner* — Lakiya G Rogers

*Assistant Examiner* — Carissa C Fitts

(74) *Attorney, Agent, or Firm* — Alston & Bird LLP

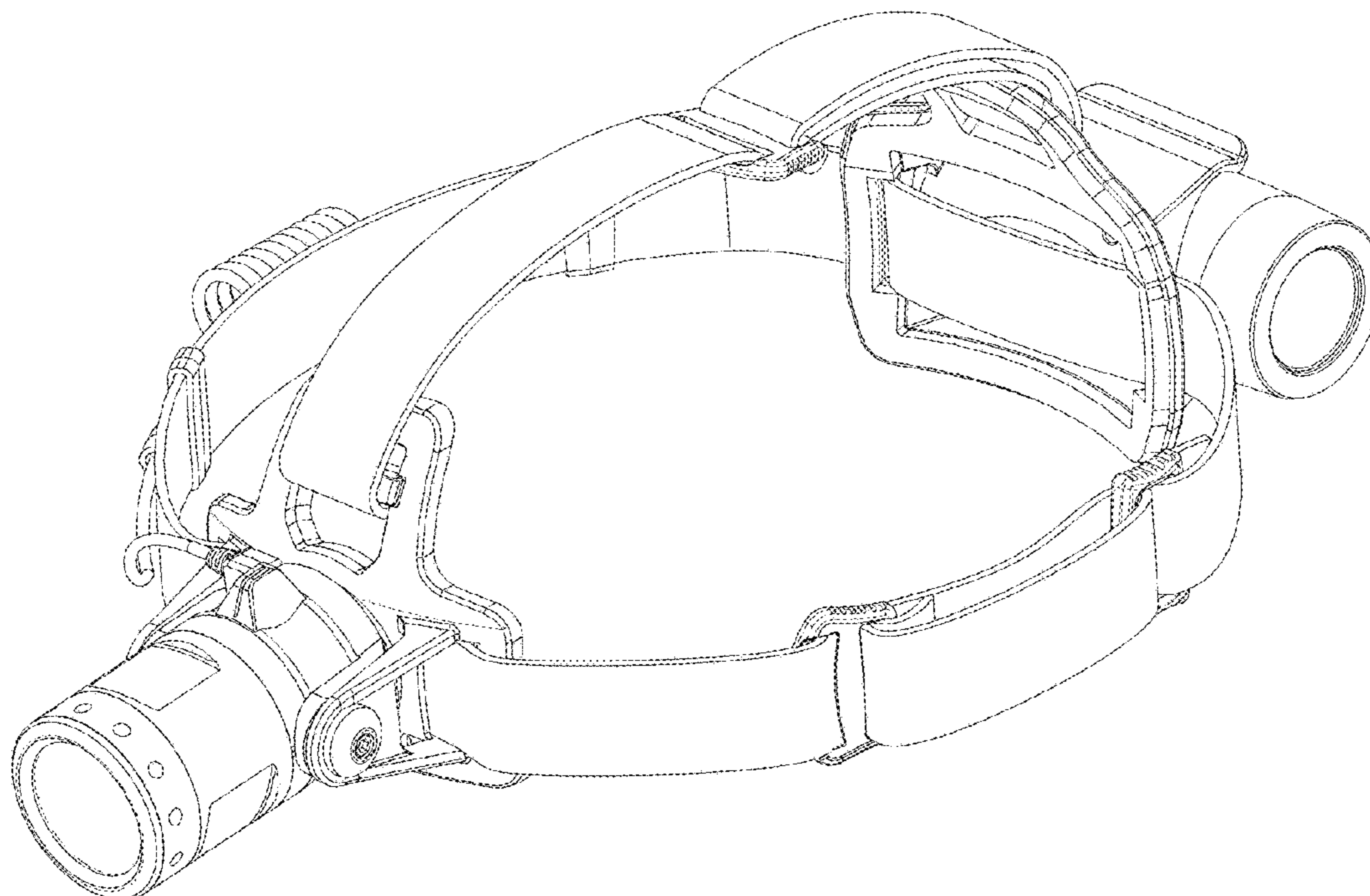
(57) **CLAIM**

The ornamental design for a forehead lamp, as shown and described.

**DESCRIPTION**

FIG. 1 is a perspective view of my design;  
FIG. 2 is a front view of the design of FIG. 1;  
FIG. 3 is a rear view of the design of FIG. 1;  
FIG. 4 is a right side view of the design of FIG. 1;  
FIG. 5 is a left side view of the design of FIG. 1;  
FIG. 6 is a top view of the design of FIG. 1; and,  
FIG. 7 is a bottom view of the design of FIG. 1.

**1 Claim, 7 Drawing Sheets**



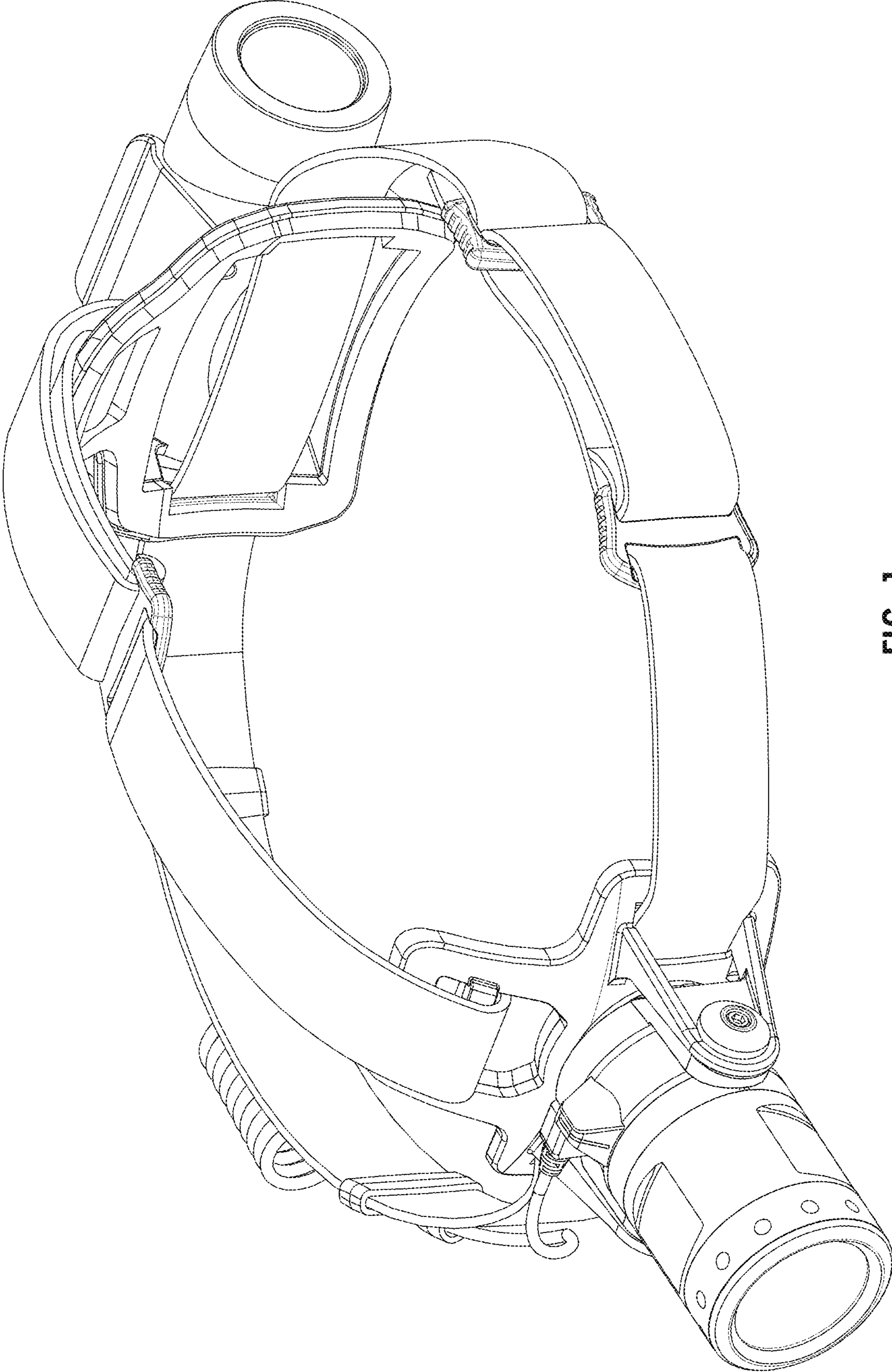


FIG. 1

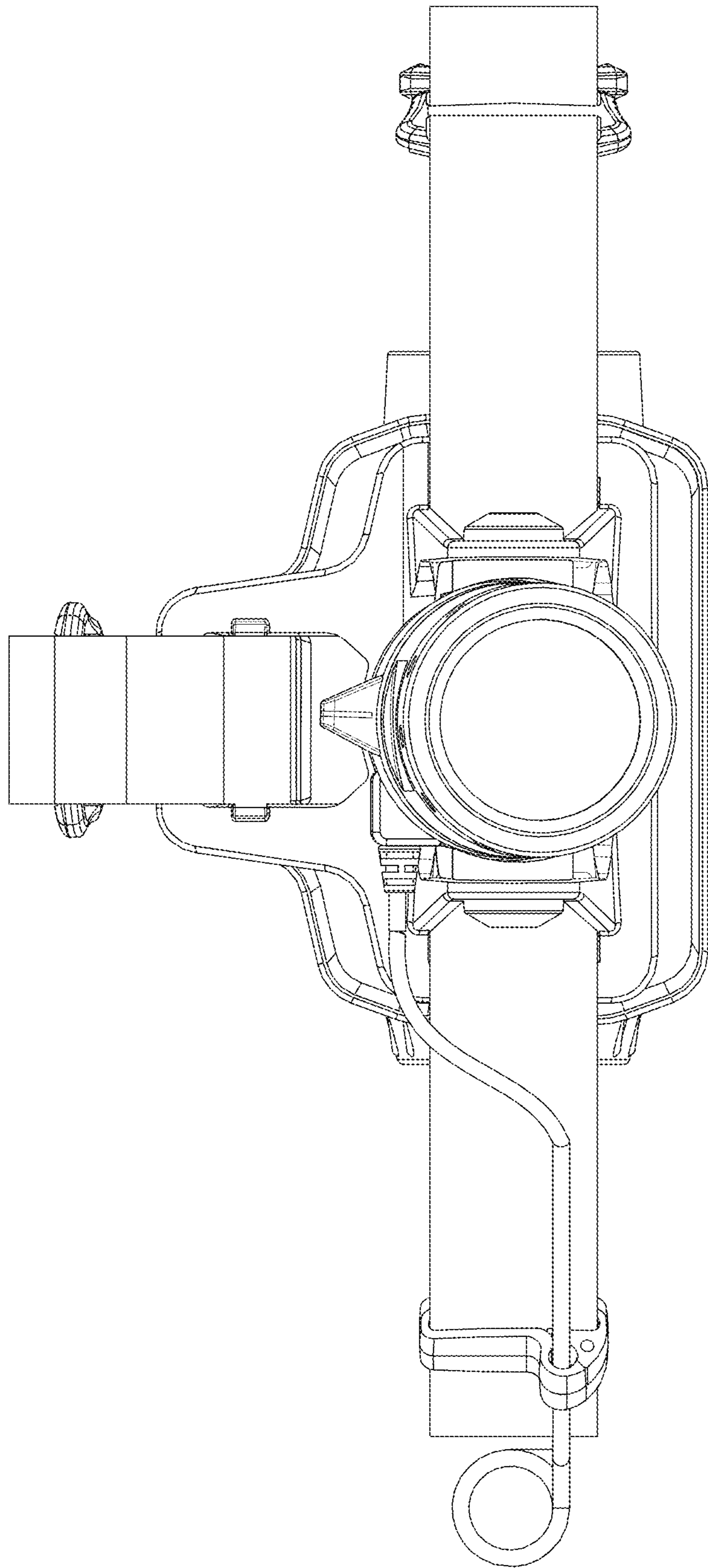


FIG. 2

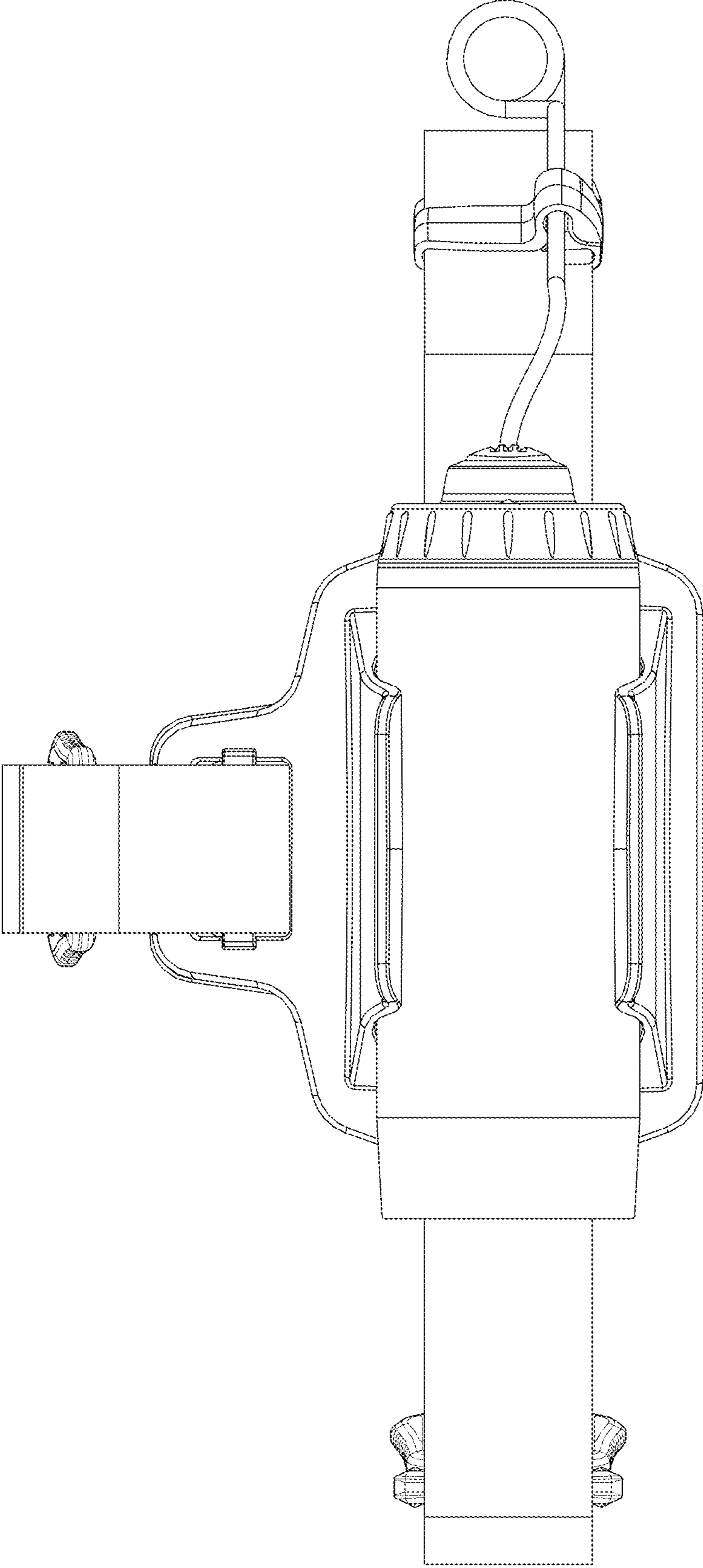


FIG. 3

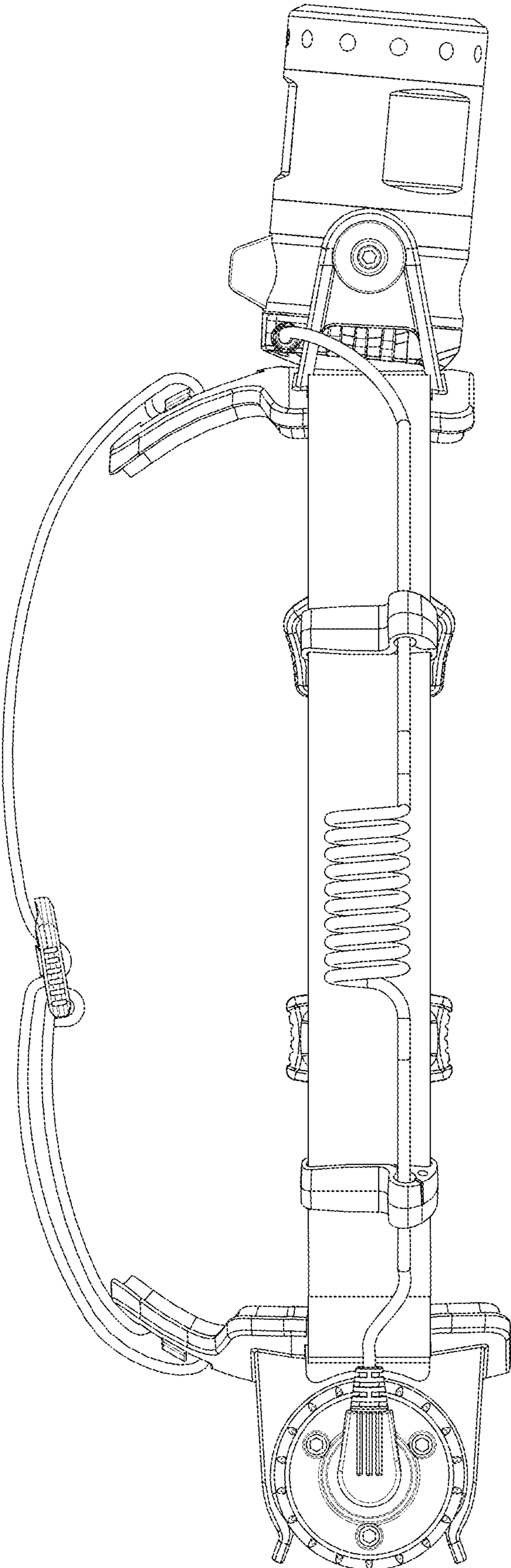


FIG. 4

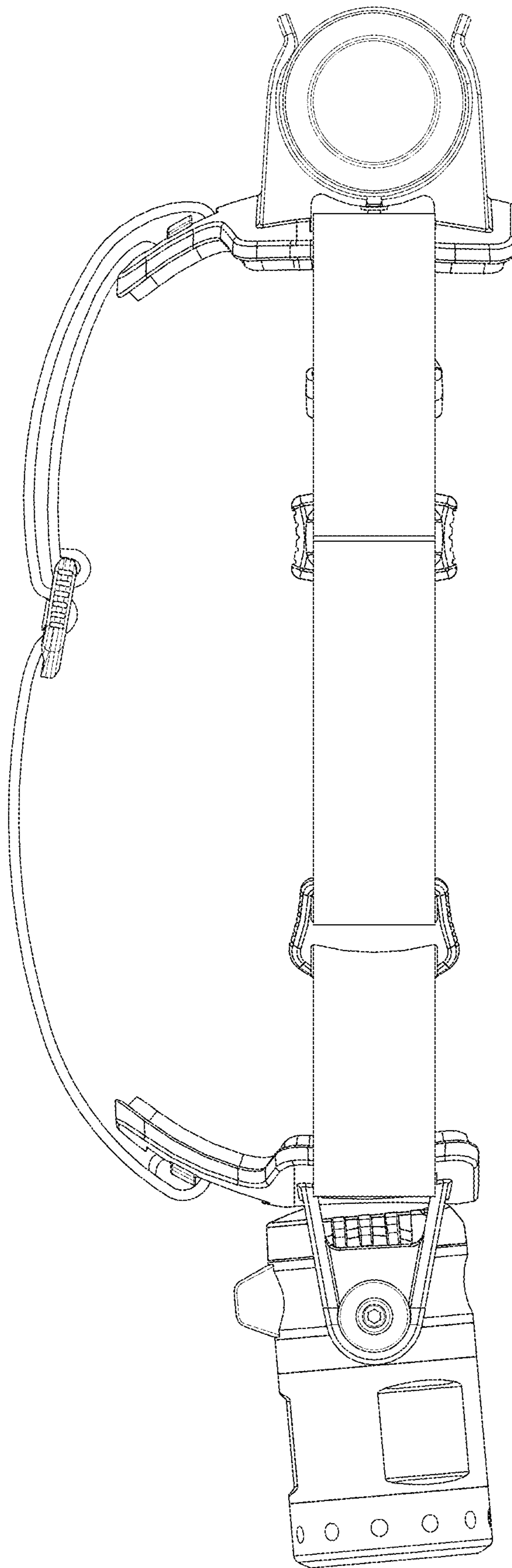


FIG. 5

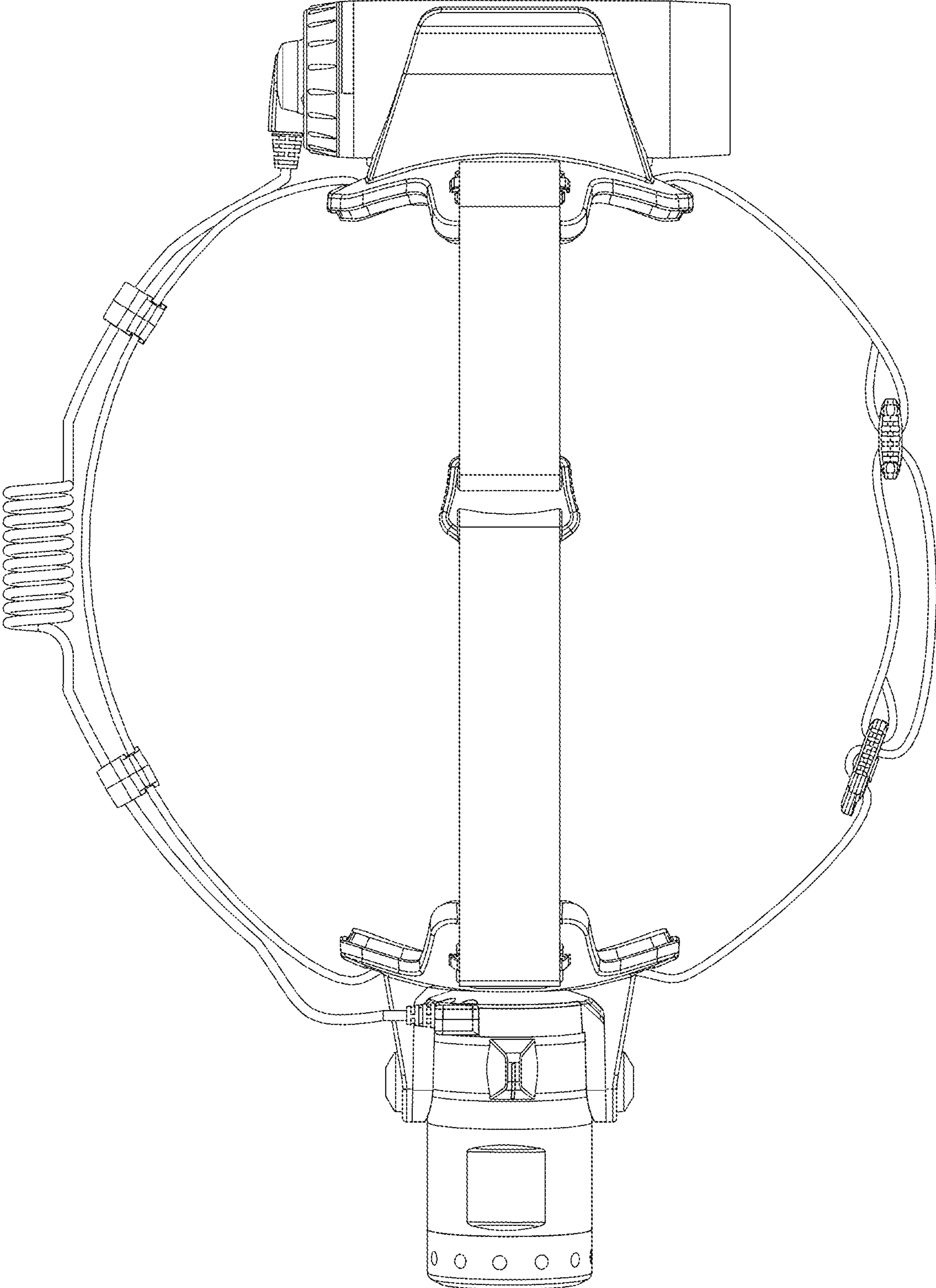


FIG. 6

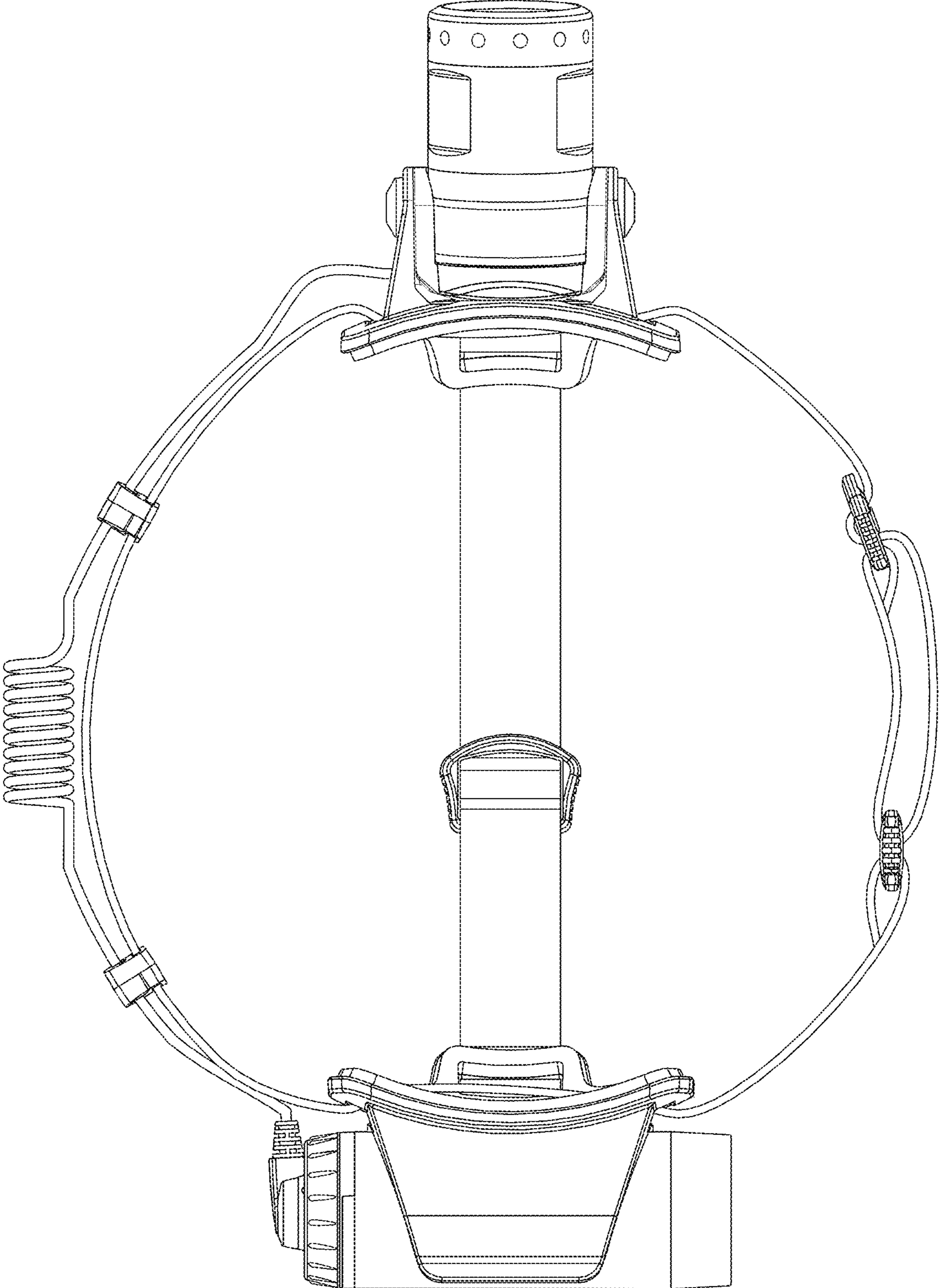


FIG. 7