



US00D901735S

(12) **United States Design Patent** (10) **Patent No.:** **US D901,735 S**
Kim et al. (45) **Date of Patent:** **** Nov. 10, 2020**

(54) **REAR COMBINATION LAMP FOR VEHICLES**

(56) **References Cited**

(71) Applicants: **HYUNDAI MOTOR COMPANY**,
Seoul (KR); **KIA MOTORS CORPORATION**, Seoul (KR)
(72) Inventors: **Gyu-Bong Kim**, Suwon-si (KR);
Chan-Hee Lee, Hwaseong-si (KR);
Duck-Hyun Hwang, Seoul (KR)
(73) Assignees: **Hyundai Motor Company**, Seoul
(KR); **Kia Motors Corporation**, Seoul
(KR)
(**) Term: **15 Years**

U.S. PATENT DOCUMENTS

D635,699 S *	4/2011	Shin	D26/28
D656,637 S *	3/2012	Choo	D26/28
D703,350 S *	4/2014	Kim	D26/28
D721,839 S *	1/2015	Ha	D26/28
D749,247 S *	2/2016	Han	D26/28
D749,764 S *	2/2016	Sa	D26/28
D794,843 S *	8/2017	Han	D26/28
D827,928 S *	9/2018	Kang	D28/35
D842,509 S *	3/2019	Yoon	D26/28
D842,511 S *	3/2019	Kang	D26/28
D857,265 S *	8/2019	Han	D26/28
D857,956 S *	8/2019	Han	D26/28
D870,335 S *	12/2019	Choi	D26/28
D871,633 S *	12/2019	Kim	D26/28

* cited by examiner

(21) Appl. No.: **35/507,591**

Primary Examiner — Natasha Vujcic

(22) Filed: **Feb. 20, 2019**

(74) *Attorney, Agent, or Firm* — Mintz Levin Cohn Ferris
Glovsky and Popeo, P.C.; Peter F. Corless; Carolina E.
Säve

(80) **Hague Agreement Data**

Int. Filing Date: **Feb. 20, 2019**
Int. Reg. No.: **DM/203593**
Int. Reg. Date: **Feb. 20, 2019**
Int. Reg. Pub. Date: **Nov. 1, 2019**

(57) **CLAIM**

The ornamental design for a rear combination lamp for vehicles, as shown and described.

(51) **LOC (12) Cl.** **26-06**

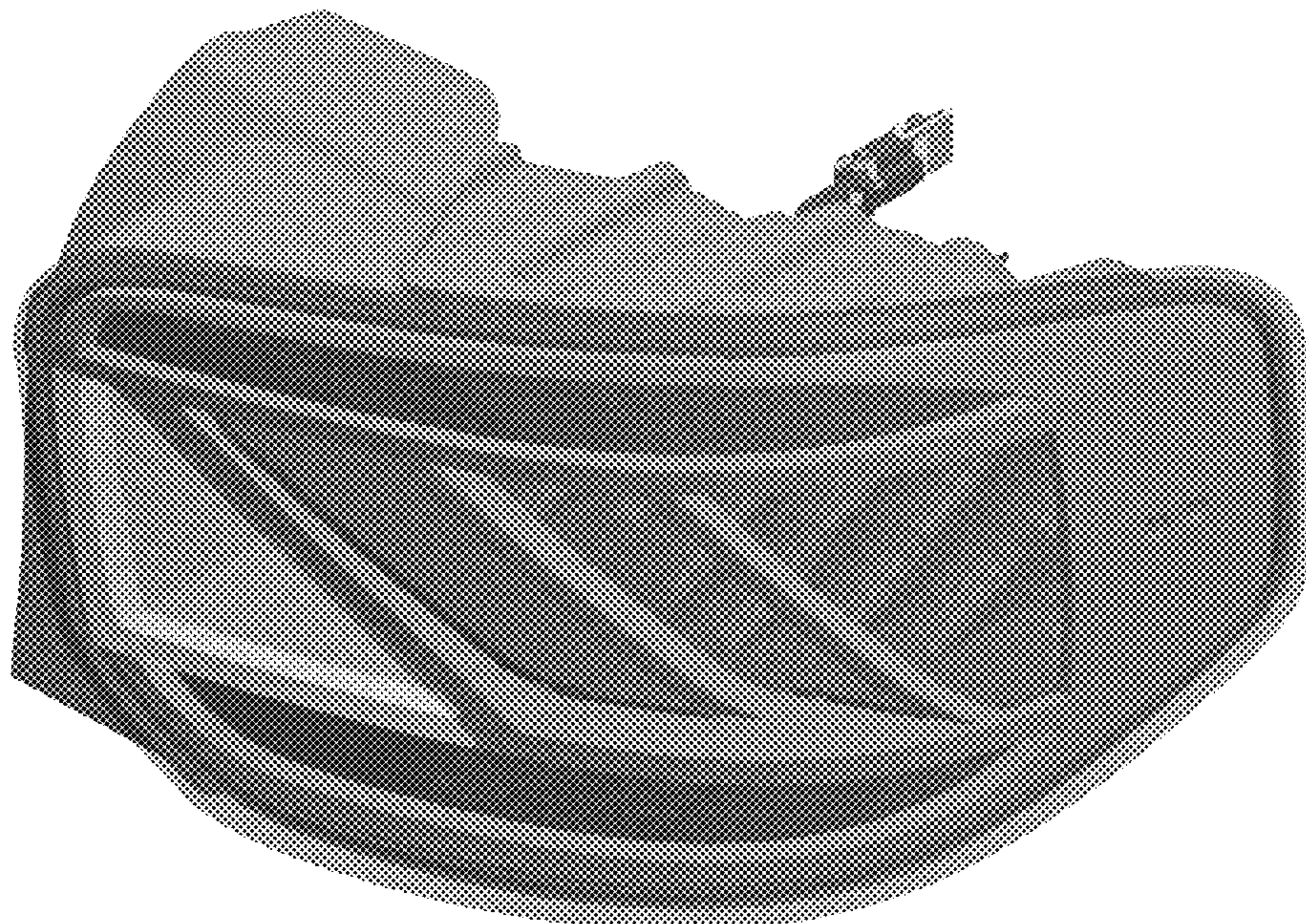
(52) **U.S. Cl.**
USPC **D26/28**

(58) **Field of Classification Search**
USPC D26/28
CPC F21S 48/00; F21S 48/10; F21S 48/115;
F21S 48/225; F21S 48/1233; F21S
48/1266; F21S 48/1388; F21S 48/2266;
F21V 21/04; B60Q 1/30; B60Q 1/2607;
B60Q 1/2696; B62J 6/00; B62J 6/04
See application file for complete search history.

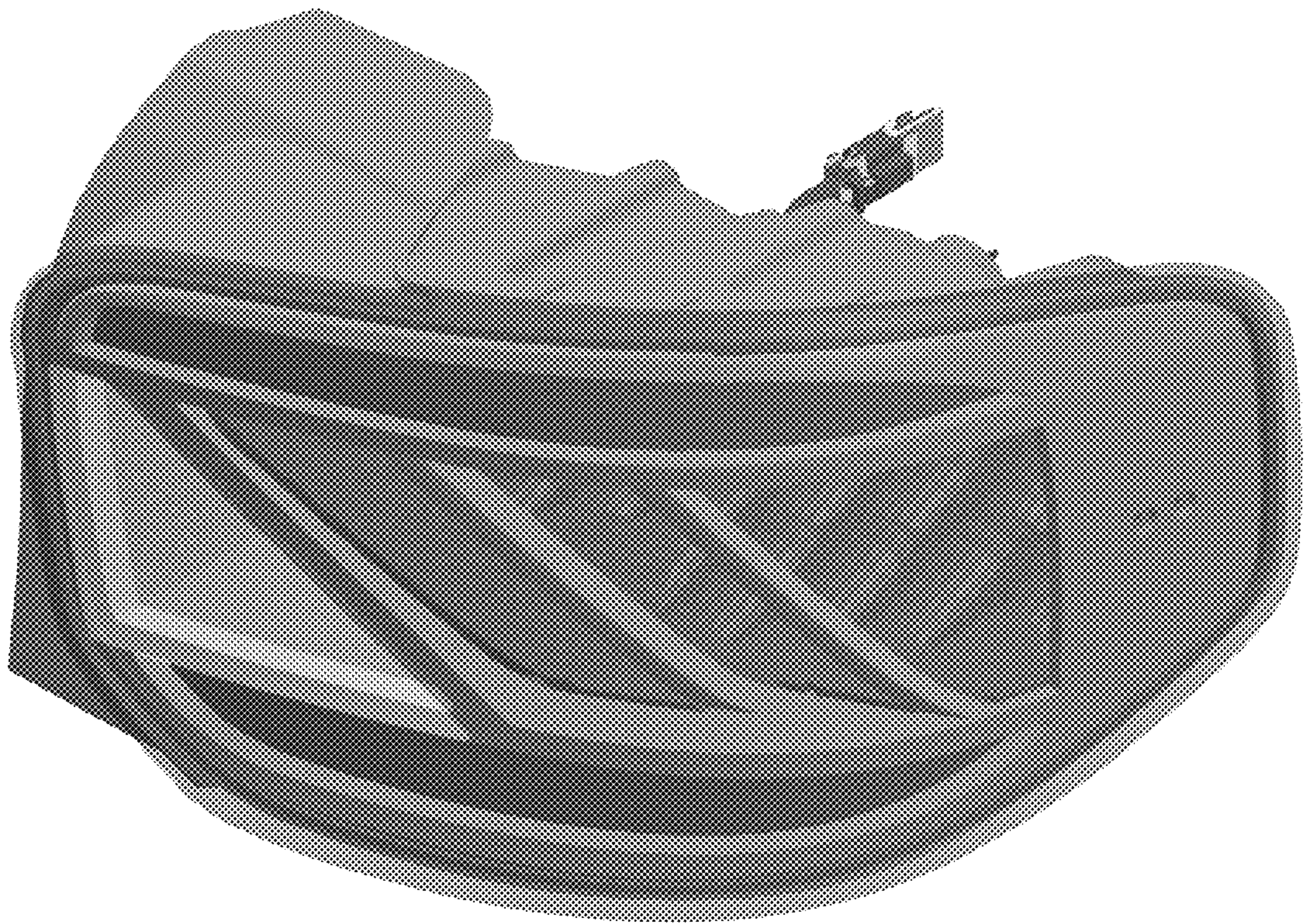
DESCRIPTION

- 1. Rear combination lamp for vehicles
- 1.1 : Perspective
- 1.2 : Front
- 1.3 : Back
- 1.4 : Left
- 1.5 : Right
- 1.6 : Top
- 1.7 : Bottom

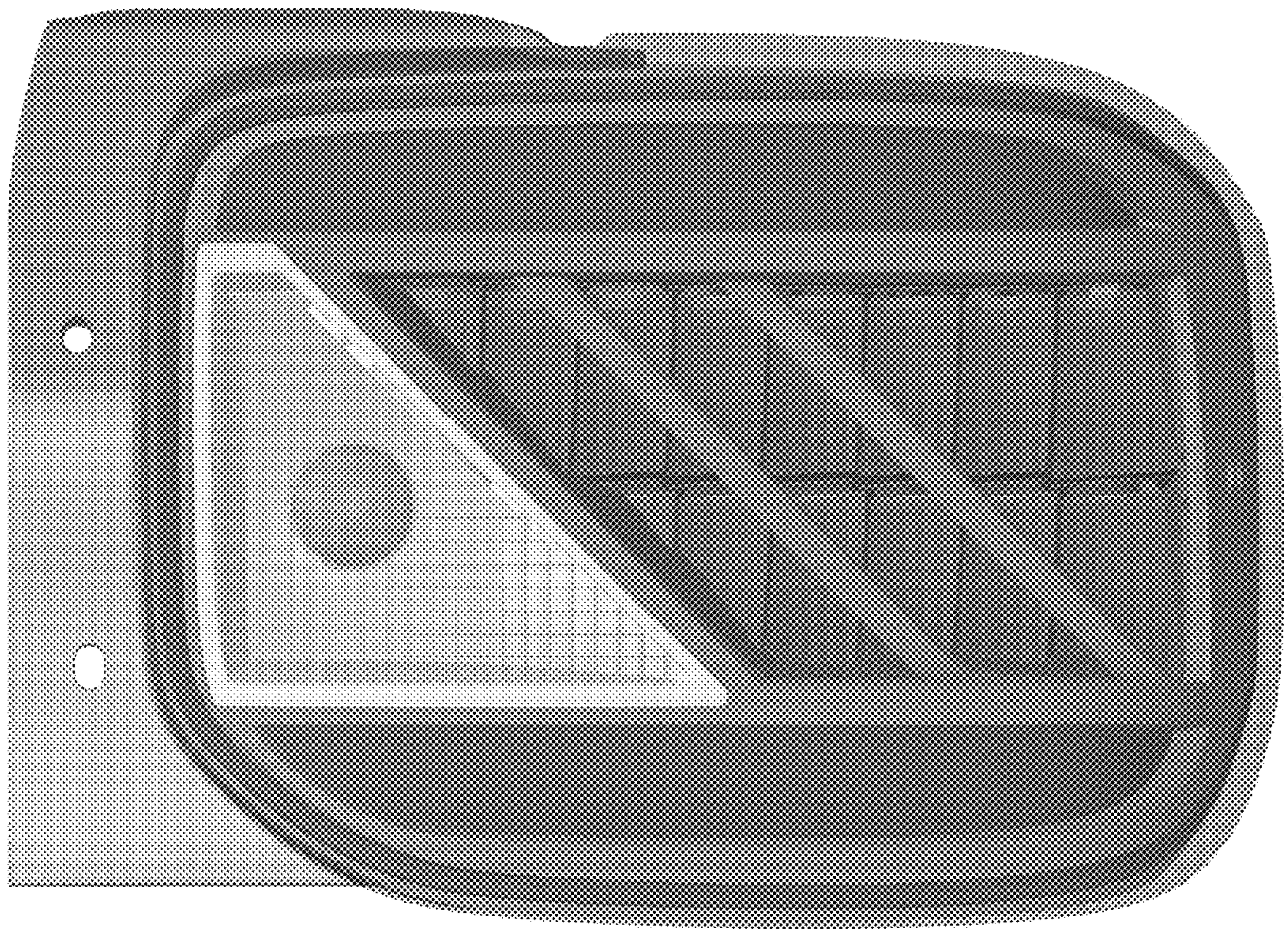
1 Claim, 7 Drawing Sheets



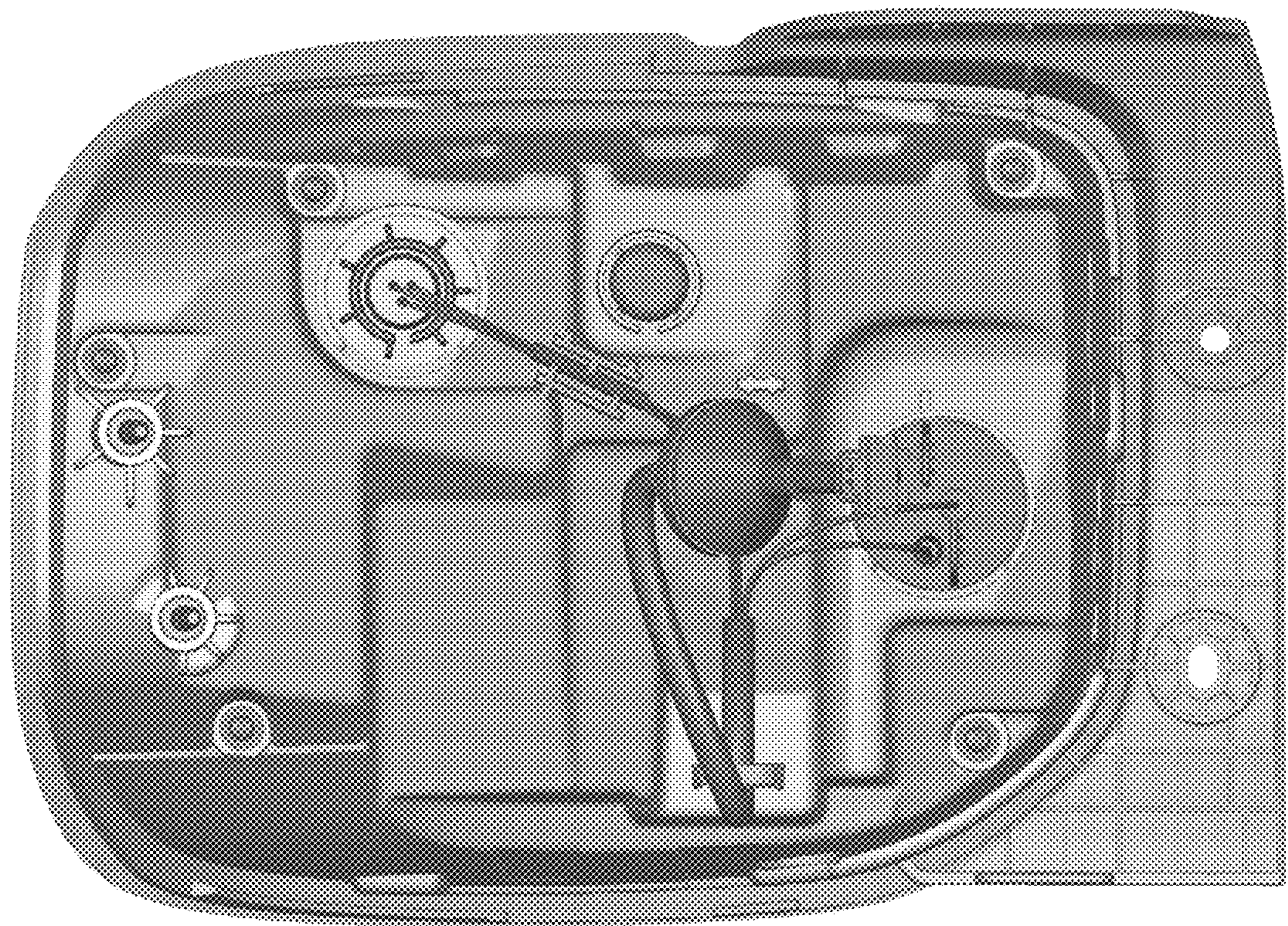
1.1



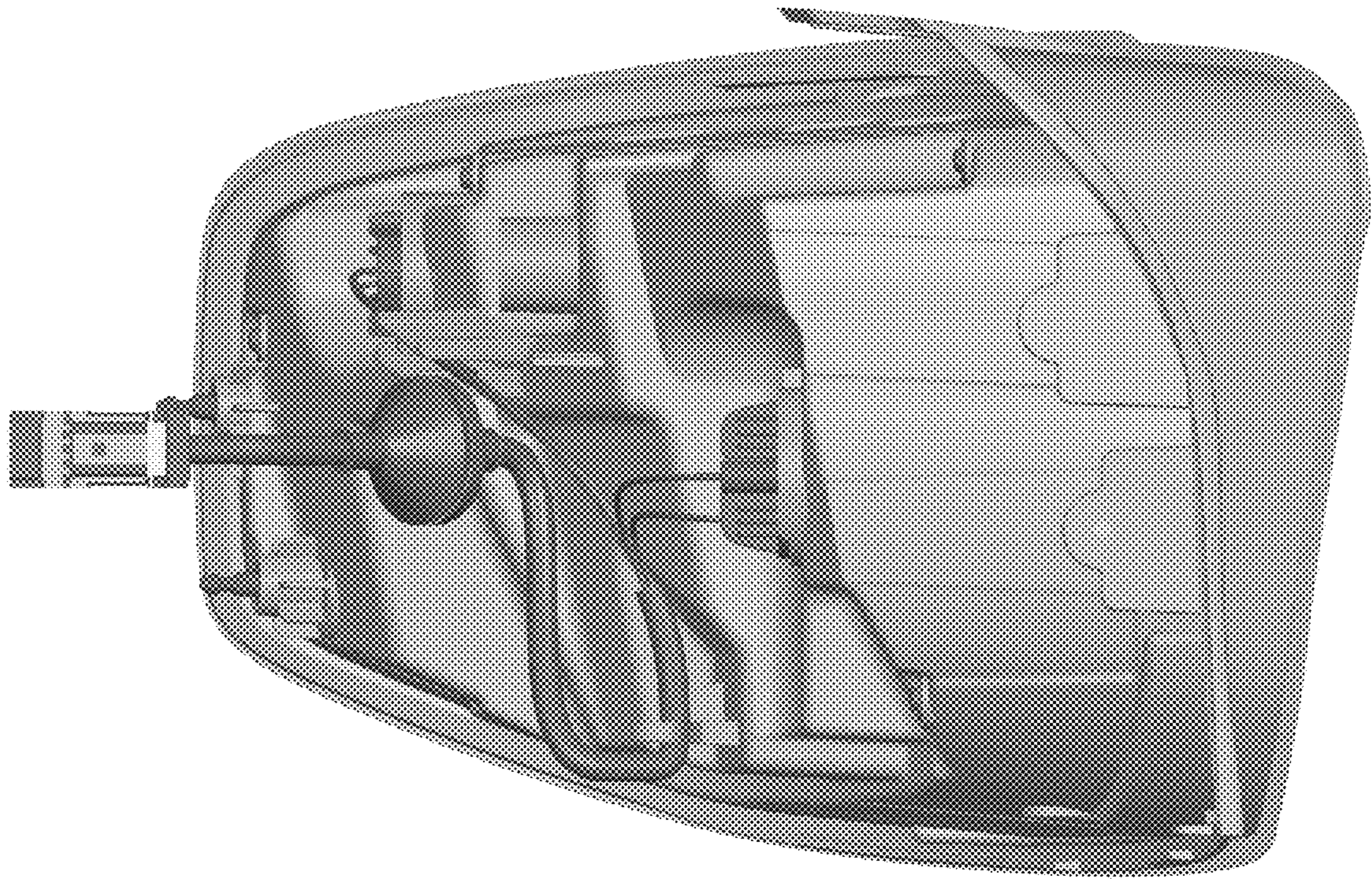
1.2



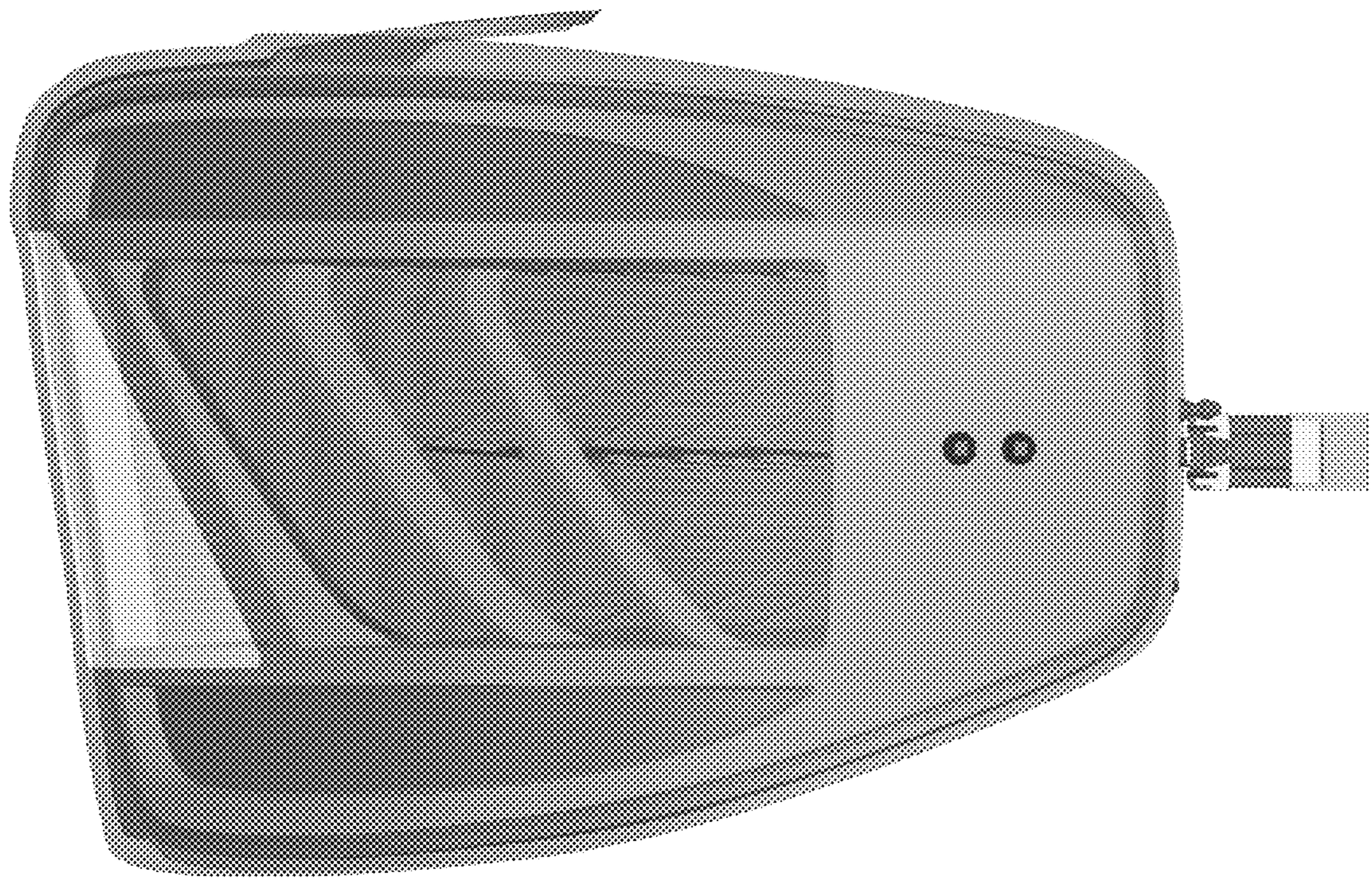
1.3



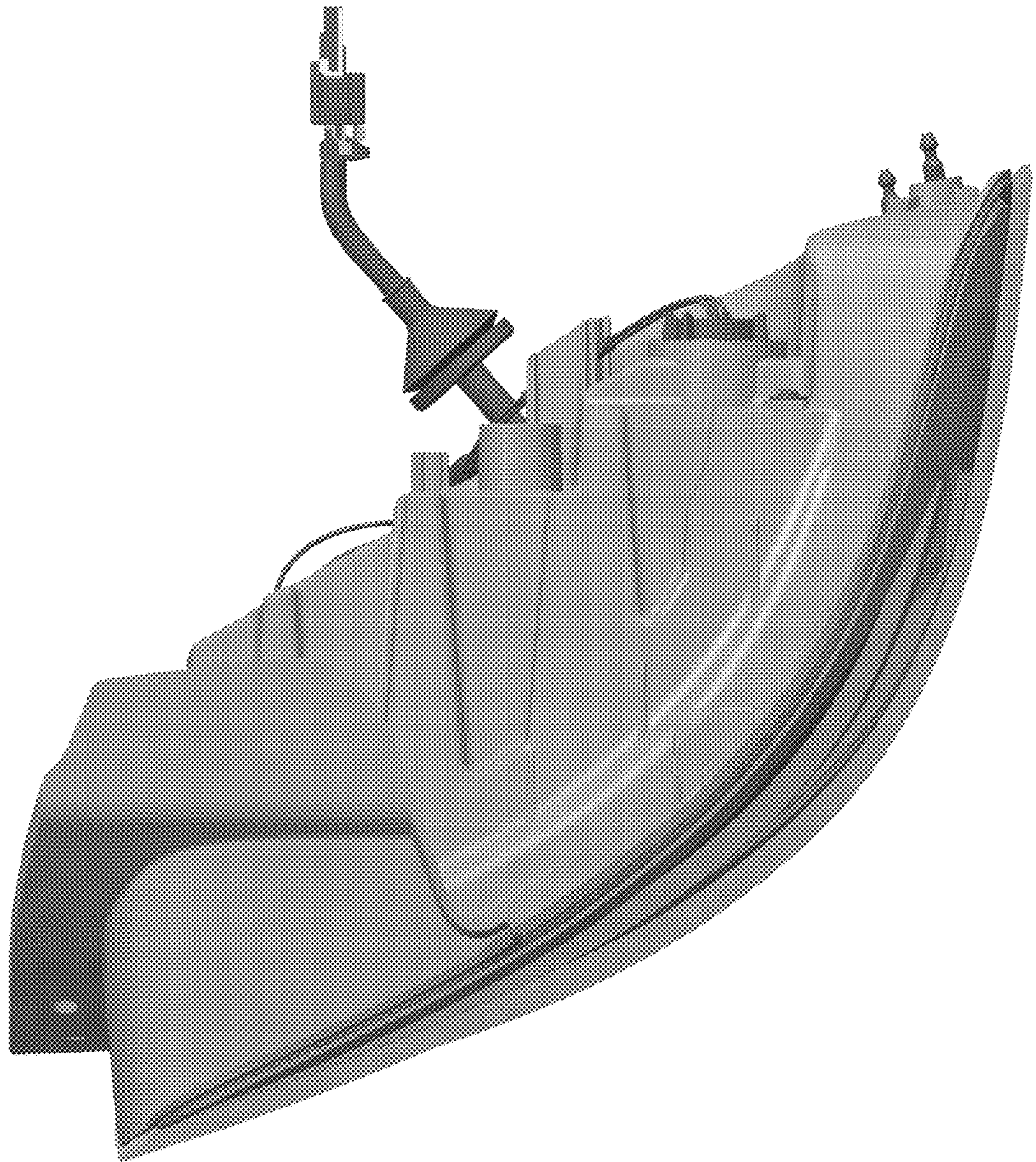
1.4



1.5



1.6



1.7

