



US00D901734S

(12) **United States Design Patent** (10) **Patent No.:** **US D901,734 S**  
**Kim et al.** (45) **Date of Patent:** **\*\* Nov. 10, 2020**

(54) **REAR COMBINATION LAMP FOR VEHICLES**

(71) Applicants: **HYUNDAI MOTOR COMPANY**, Seoul (KR); **KIA MOTORS CORPORATION**, Seoul (KR)  
(72) Inventors: **Gyu-Bong Kim**, Suwon-si (KR); **Duck-Hyun Hwang**, Seoul (KR); **Chan-Hee Lee**, Hwaseong-si (KR)  
(73) Assignees: **Hyundai Motor Company**, Seoul (KR); **Kia Motors Corporation**, Seoul (KR)

(\*\*) Term: **15 Years**

(21) Appl. No.: **35/507,590**

(22) Filed: **Feb. 20, 2019**

(80) **Hague Agreement Data**

Int. Filing Date: **Feb. 20, 2019**  
Int. Reg. No.: **DM/203592**  
Int. Reg. Date: **Feb. 20, 2019**  
Int. Reg. Pub. Date: **Nov. 1, 2019**

(30) **Foreign Application Priority Data**

Aug. 20, 2018 (KR) ..... 30-2018-0038562

(51) **LOC (12) Cl.** ..... **26-06**

(52) **U.S. Cl.**  
USPC ..... **D26/28**

(58) **Field of Classification Search**  
USPC ..... D26/28  
CPC ..... F21S 48/00; F21S 48/10; F21S 48/115; F21S 48/225; F21S 48/1233; F21S 48/1266; F21S 48/1388; F21S 48/2266; F21V 21/04; B60Q 1/30; B60Q 1/2607; B60Q 1/2696; B62J 6/00; B62J 6/04  
See application file for complete search history.

(56) **References Cited**

U.S. PATENT DOCUMENTS

|          |   |   |         |      |       |        |
|----------|---|---|---------|------|-------|--------|
| D635,699 | S | * | 4/2011  | Shin | ..... | D26/28 |
| D656,637 | S | * | 3/2012  | Choo | ..... | D26/28 |
| D703,350 | S | * | 4/2014  | Kim  | ..... | D26/28 |
| D721,839 | S | * | 1/2015  | Ha   | ..... | D26/28 |
| D749,247 | S | * | 2/2016  | Han  | ..... | D26/28 |
| D749,764 | S | * | 2/2016  | Sa   | ..... | D26/28 |
| D794,843 | S | * | 8/2017  | Han  | ..... | D26/28 |
| D827,928 | S | * | 9/2018  | Kang | ..... | D28/35 |
| D842,509 | S | * | 3/2019  | Yoon | ..... | D26/28 |
| D842,511 | S | * | 3/2019  | Kang | ..... | D26/28 |
| D857,265 | S | * | 8/2019  | Han  | ..... | D26/28 |
| D857,956 | S | * | 8/2019  | Han  | ..... | D26/28 |
| D870,335 | S | * | 12/2019 | Choi | ..... | D26/28 |
| D871,633 | S | * | 12/2019 | Kim  | ..... | D26/28 |

\* cited by examiner

*Primary Examiner* — Natasha Vujcic

(74) *Attorney, Agent, or Firm* — Mintz Levin Cohn Ferris Glovsky and Popeo, P.C.; Peter F. Corless; Carolina E. Säve

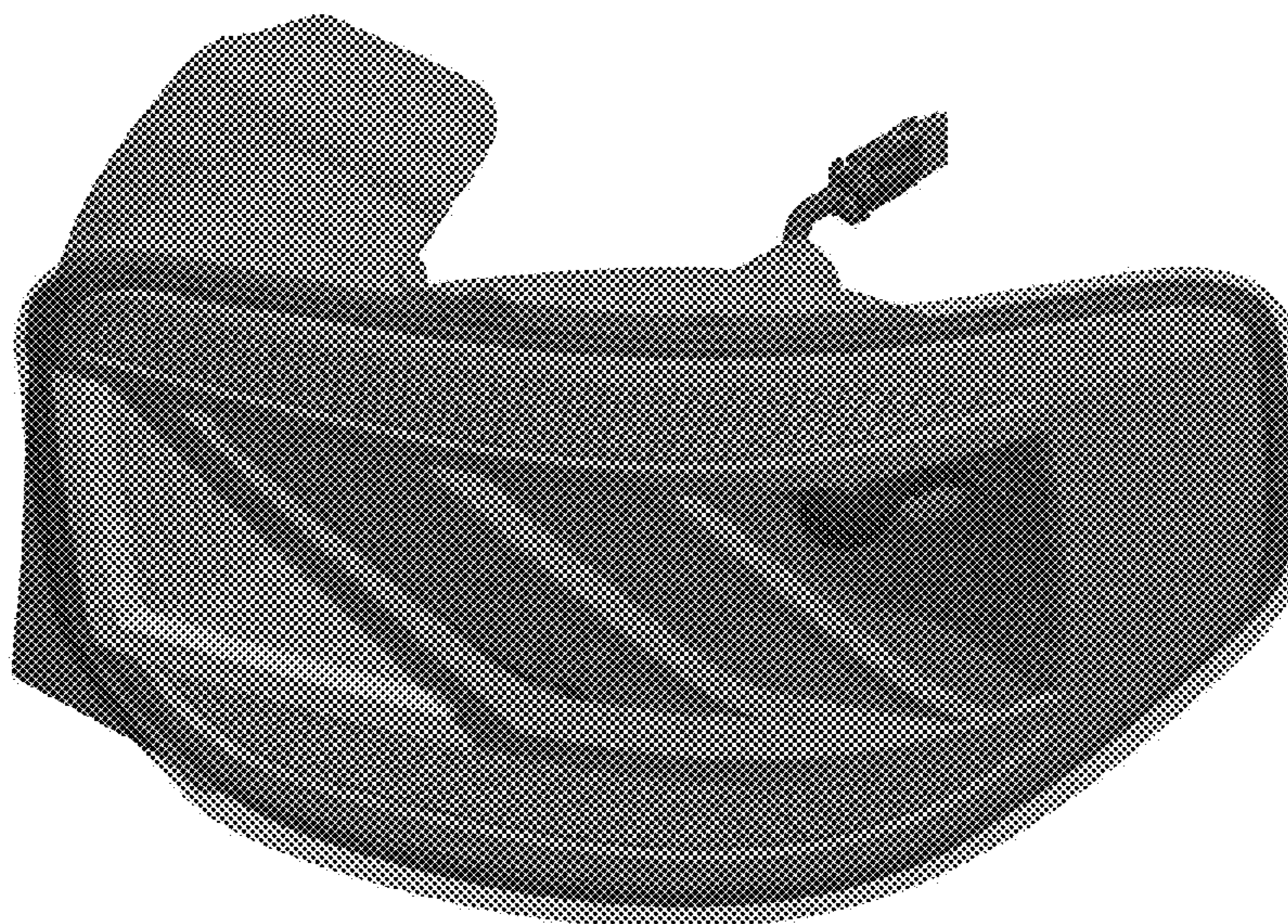
(57) **CLAIM**

The ornamental design for a rear combination lamp for vehicles, as shown and described.

**DESCRIPTION**

- 1. Rear combination lamp for vehicles
- 1.1 : Perspective
- 1.2 : Front
- 1.3 : Back
- 1.4 : Left
- 1.5 : Right
- 1.6 : Top
- 1.7 : Bottom

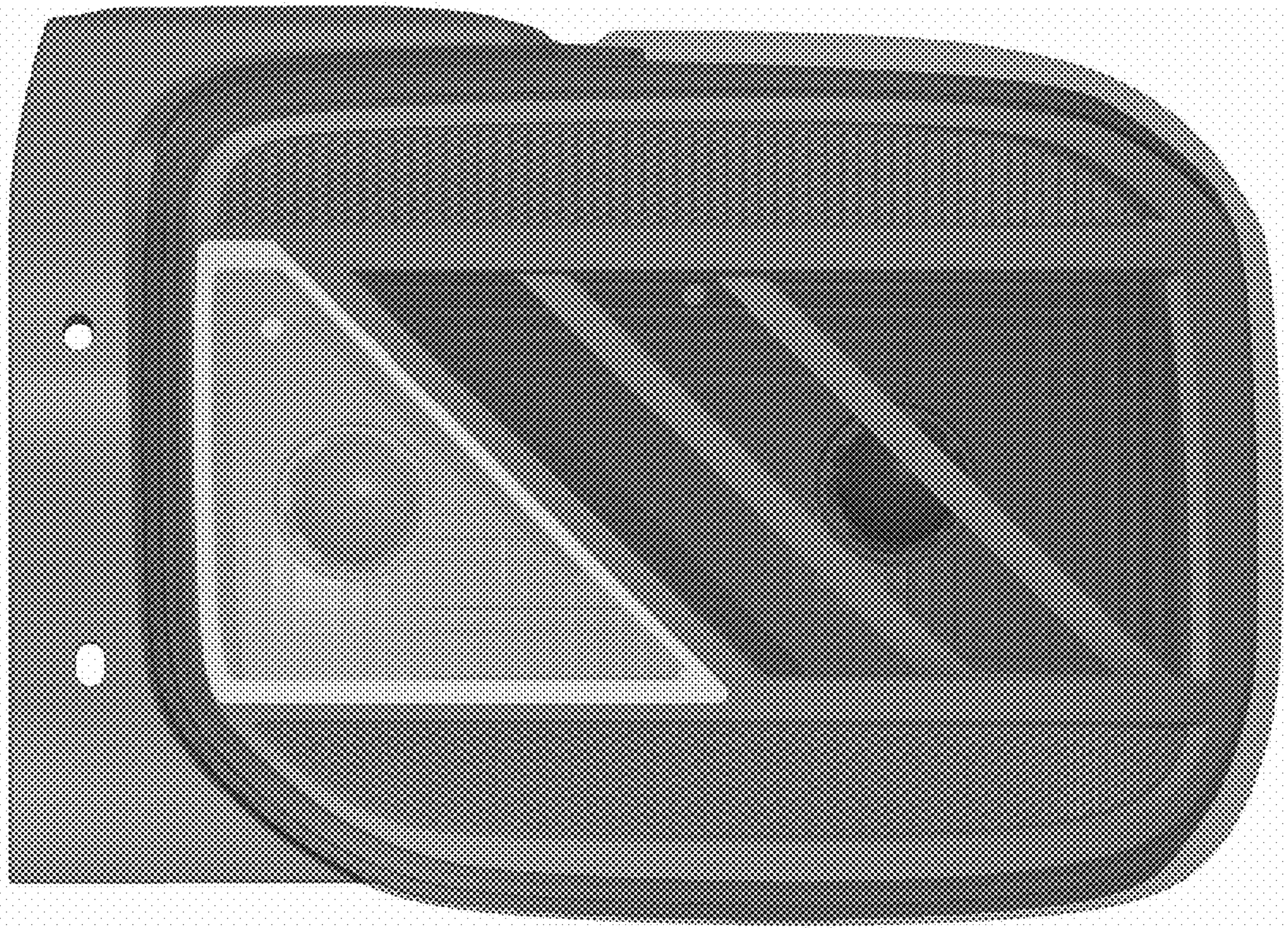
**1 Claim, 7 Drawing Sheets**



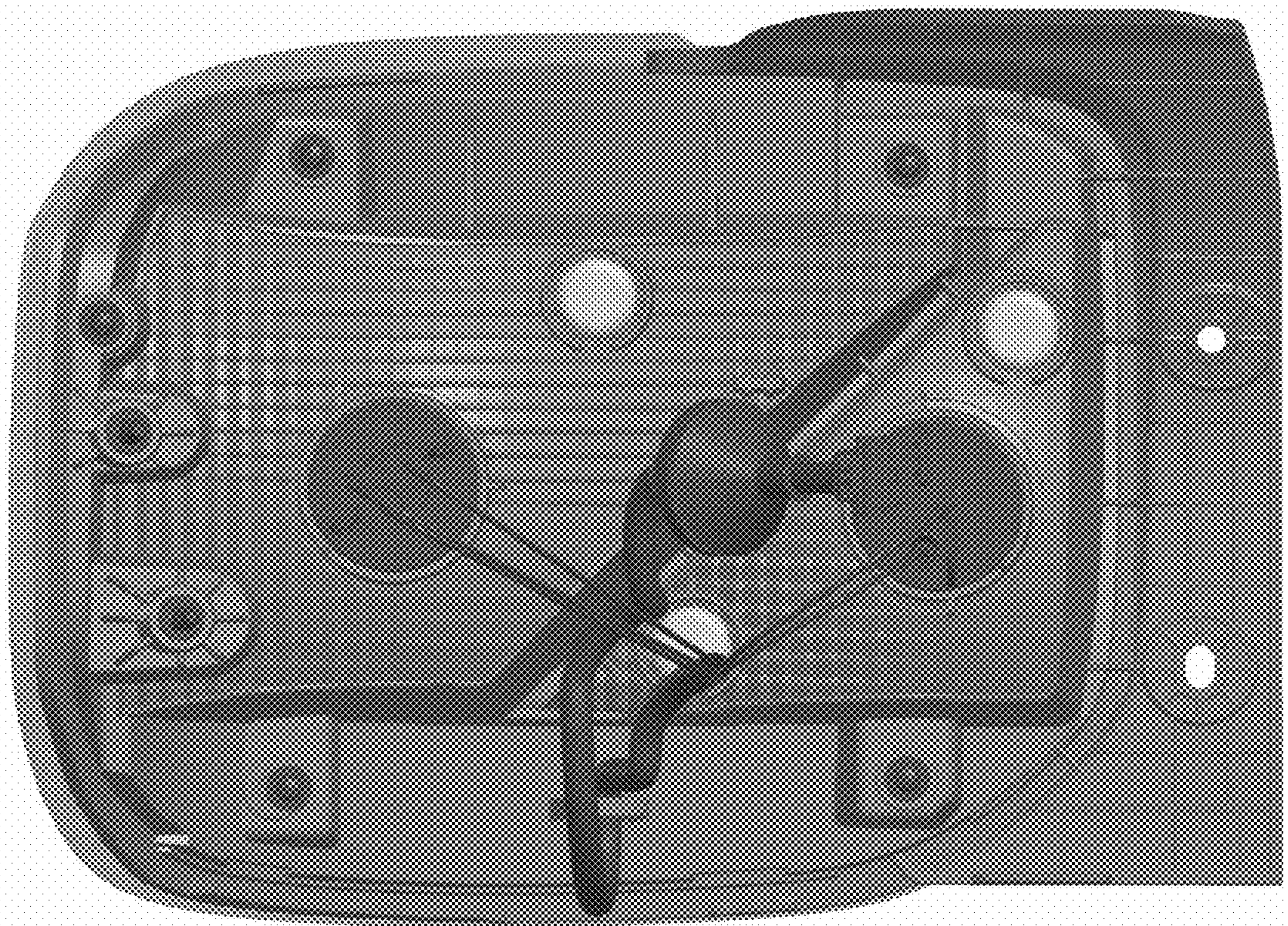
1.1



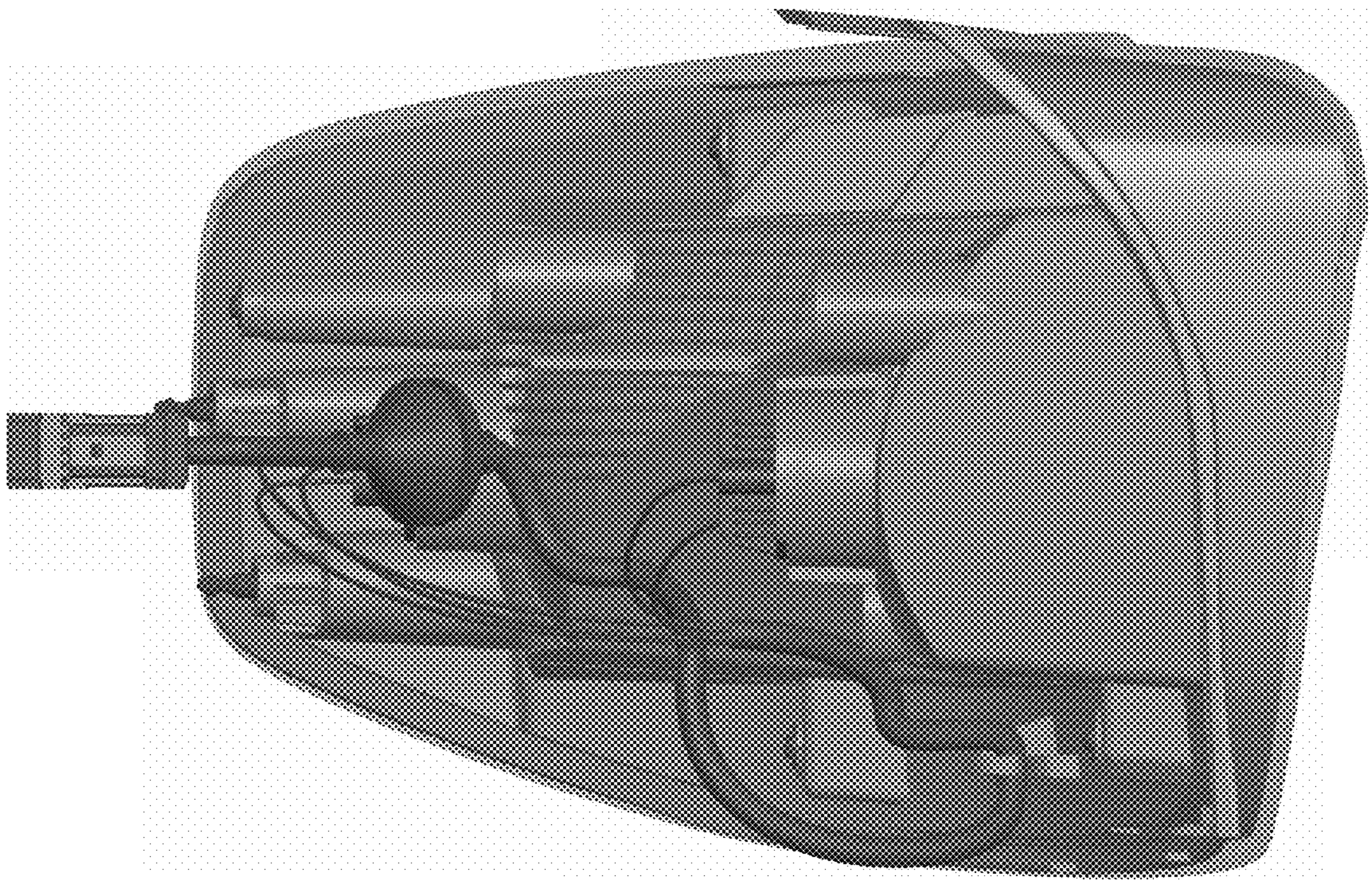
1.2



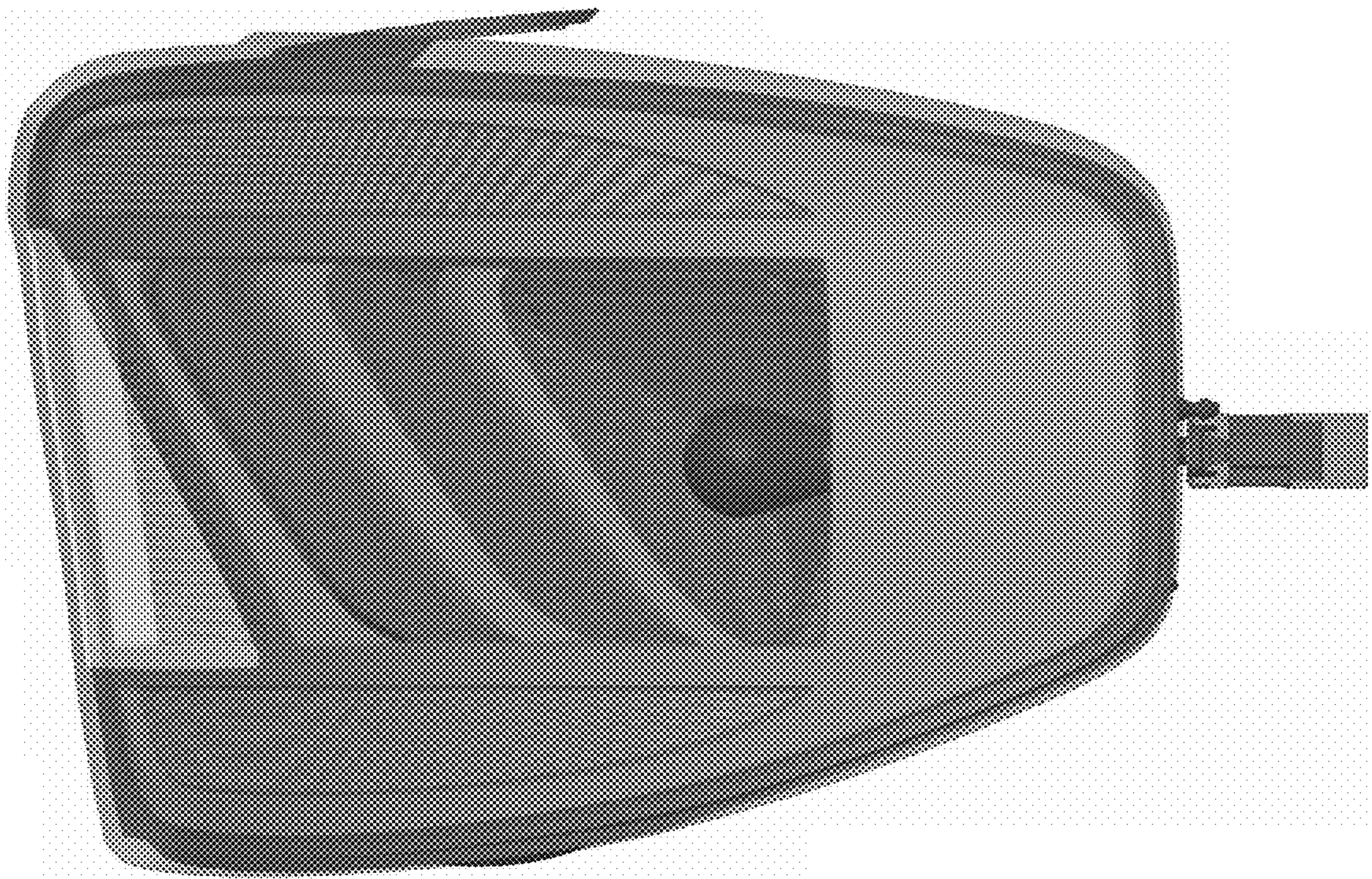
1.3



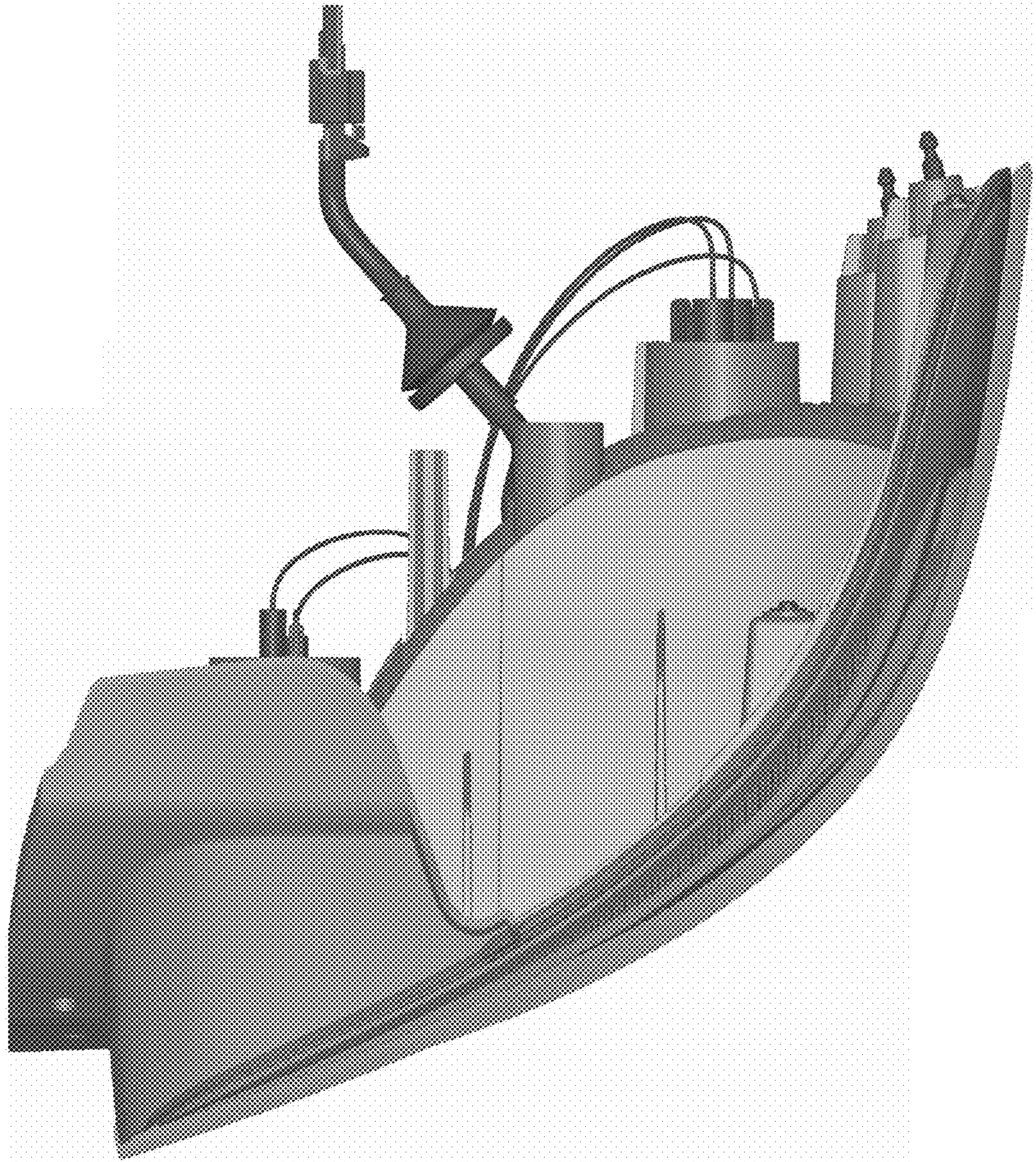
1.4



1.5



1.6



1.7

