



US00D901730S

(12) **United States Design Patent** (10) **Patent No.:** **US D901,730 S**  
**Chen** (45) **Date of Patent:** **\*\* Nov. 10, 2020**

(54) **VEHICLE TAILLIGHT**

(56) **References Cited**

(71) Applicant: **Yi Kai Chen**, Tainan (TW)

U.S. PATENT DOCUMENTS

(72) Inventor: **Yi Kai Chen**, Tainan (TW)

D512,790 S \* 12/2005 Handsaker ..... D26/28  
D549,367 S \* 8/2007 Hovind ..... D26/28  
D583,490 S \* 12/2008 Rogers ..... D26/28  
D745,720 S \* 12/2015 Chang ..... D26/28

(73) Assignee: **SHIN CHIN INDUSTRIAL CO., LTD.**, Tainan (TW)

\* cited by examiner

(\*\*) Term: **15 Years**

*Primary Examiner* — Marcus A Jackson

(21) Appl. No.: **29/701,669**

(74) *Attorney, Agent, or Firm* — Che-Yang Chen; Law Office of Michael Chen

(22) Filed: **Aug. 13, 2019**

(57) **CLAIM**

The ornamental design for a vehicle taillight, as shown and described.

(51) **LOC (12) Cl.** ..... **26-06**

**DESCRIPTION**

(52) **U.S. Cl.**  
USPC ..... **D26/28**

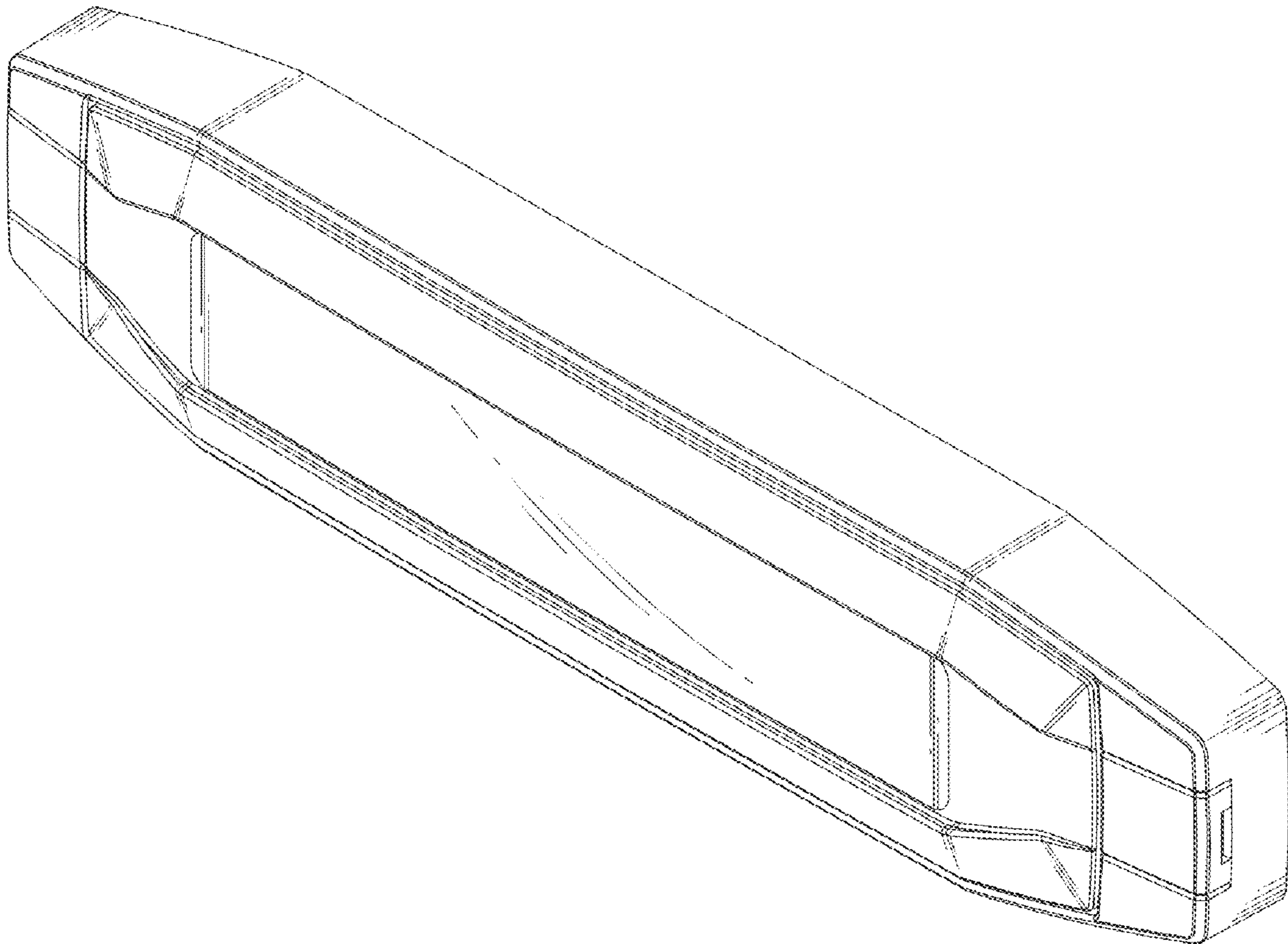
(58) **Field of Classification Search**

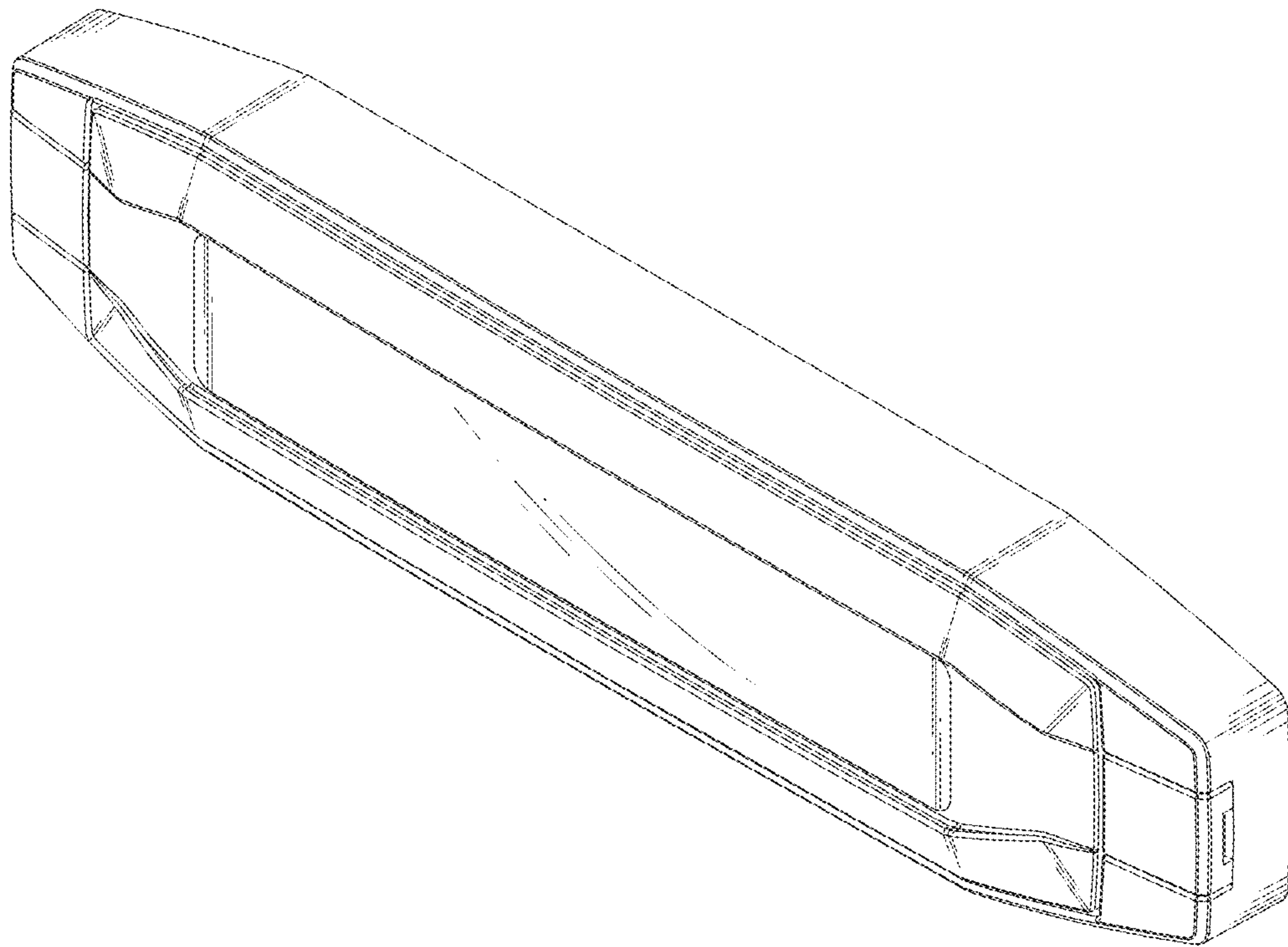
USPC ..... D26/28-36, 139  
CPC ..... F21S 48/00; F21S 48/10; F21S 48/115;  
F21S 48/225; F21S 48/1233; F21S  
48/1266; F21S 48/1388; F21S 48/2268;  
F21V 21/04; F21V 29/004; B60Q 9/13;  
B60Q 9/135; B60Q 9/1375

FIG. 1 is a perspective view of a vehicle taillight showing my new design;  
FIG. 2 is a front elevational view thereof;  
FIG. 3 is a rear elevational view thereof;  
FIG. 4 is a left side elevational view thereof;  
FIG. 5 is a right side elevational view thereof;  
FIG. 6 is a top plan view thereof; and,  
FIG. 7 is a bottom plan view thereof.

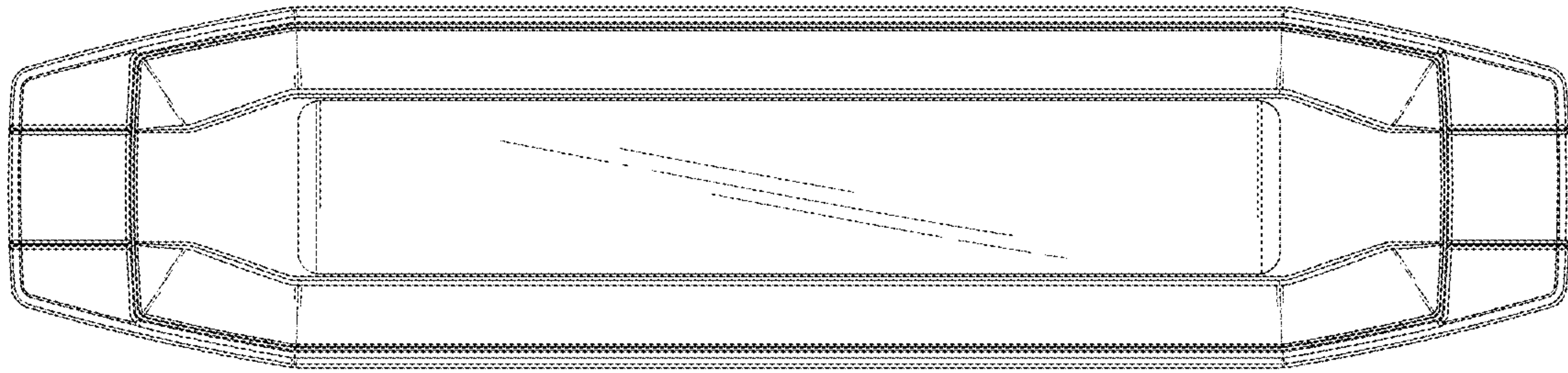
See application file for complete search history.

**1 Claim, 4 Drawing Sheets**

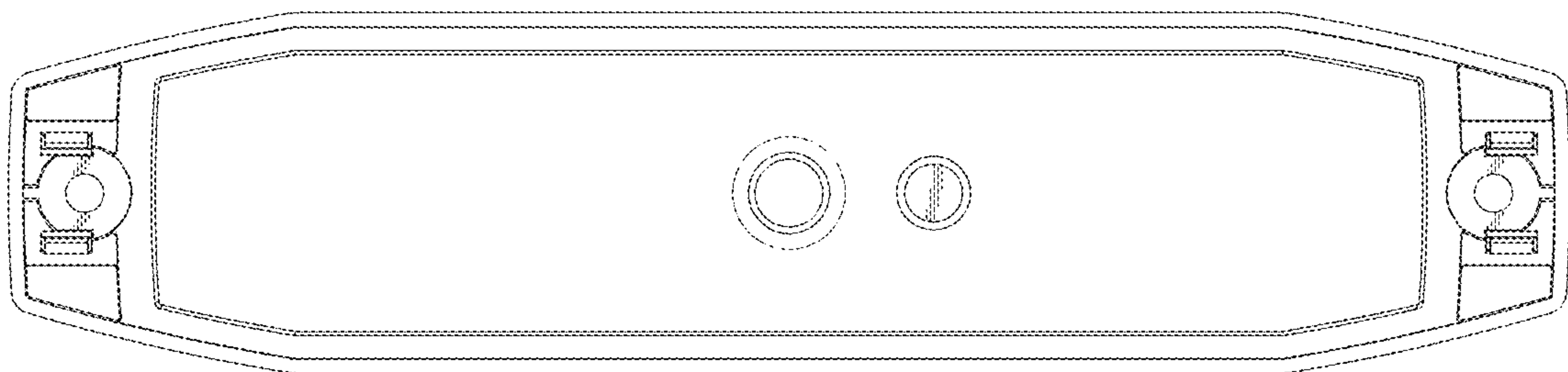




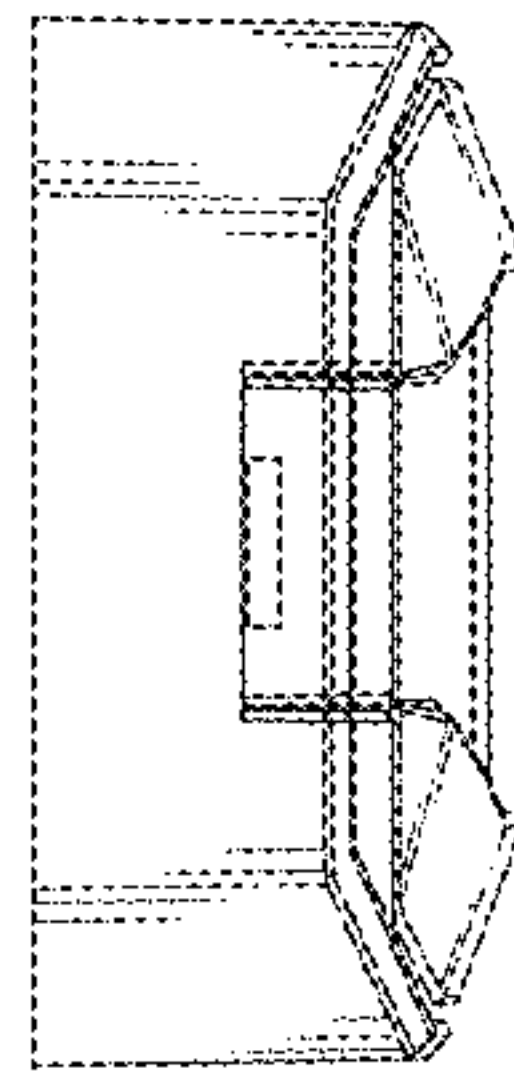
**FIG. 1**



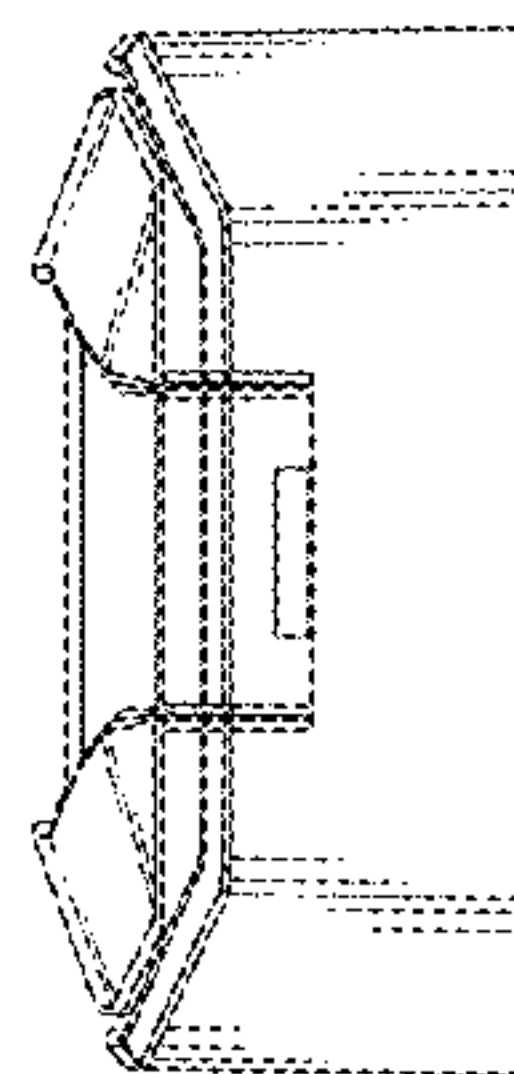
**FIG. 2**



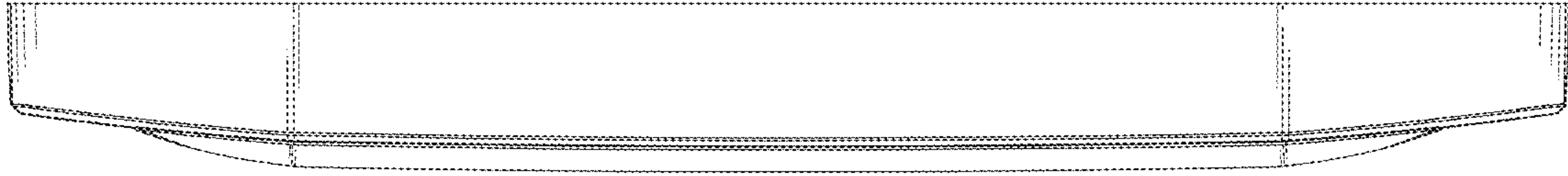
**FIG. 3**



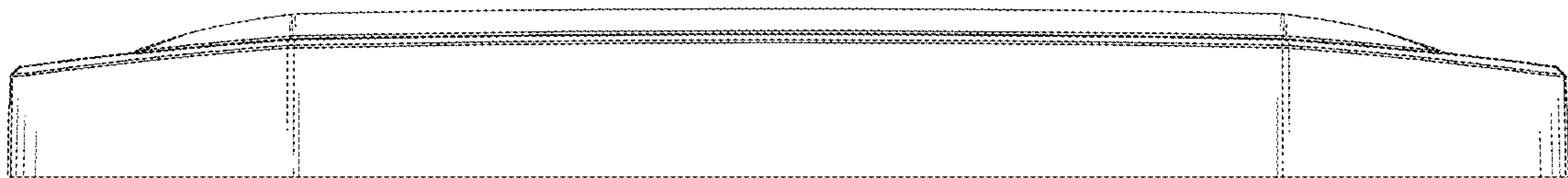
**FIG. 4**



**FIG. 5**



**FIG. 6**



**FIG. 7**