



US00D901729S

(12) **United States Design Patent**
Zou et al.

(10) **Patent No.:** **US D901,729 S**

(45) **Date of Patent:** **** Nov. 10, 2020**

(54) **HEADLIGHT**

(71) Applicants: **Xutao Zou**, Hunan Province (CN);
Lanyan Jiang, Hunan Province (CN)

(72) Inventors: **Xutao Zou**, Hunan Province (CN);
Lanyan Jiang, Hunan Province (CN)

(73) Assignee: **Guangzhou Chengguang Electronic
Technology Co., Ltd.**, Guangzhou (CN)

(**) Term: **15 Years**

(21) Appl. No.: **29/700,439**

(22) Filed: **Aug. 2, 2019**

(51) **LOC (12) Cl.** **26-06**

(52) **U.S. Cl.**
USPC **D26/28**

(58) **Field of Classification Search**
USPC D26/28-36, 139
CPC F21S 48/00; F21S 48/10; F21S 48/115;
F21S 48/225; F21S 48/1233; F21S
48/1266; F21S 48/1388; F21S 48/2268;
F21V 21/04; F21V 29/004; B60Q 9/13;
B60Q 9/135; B60Q 9/1375

See application file for complete search history.

(56) **References Cited**

U.S. PATENT DOCUMENTS

D528,231 S *	9/2006	Ikeda	D26/28
D535,409 S *	1/2007	Yamaguchi	D26/28
D544,114 S *	6/2007	Ohta	D26/28
D561,358 S *	2/2008	Tachibana	D26/28
D767,179 S *	9/2016	Lai	D26/28

* cited by examiner

Primary Examiner — Marcus A Jackson

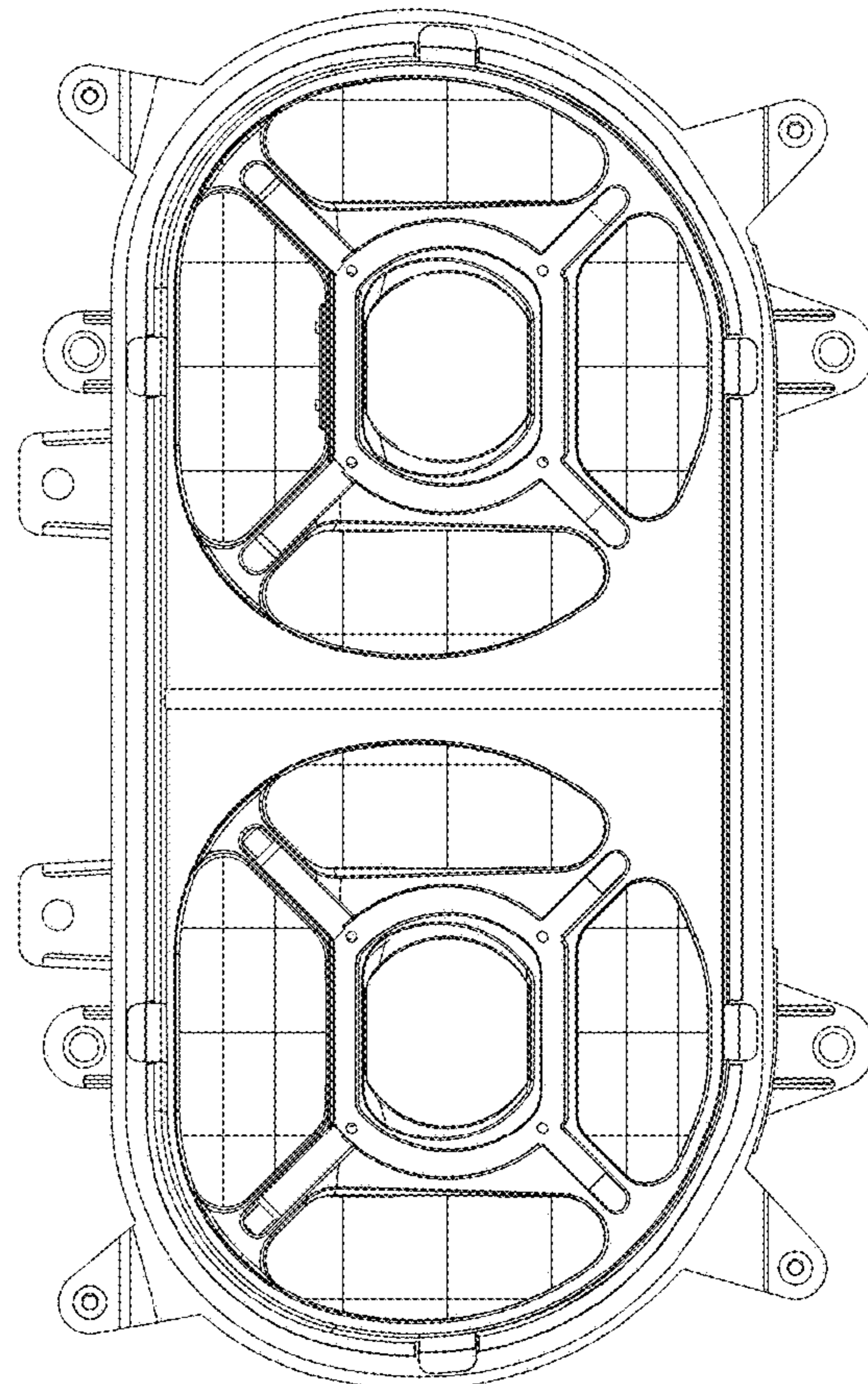
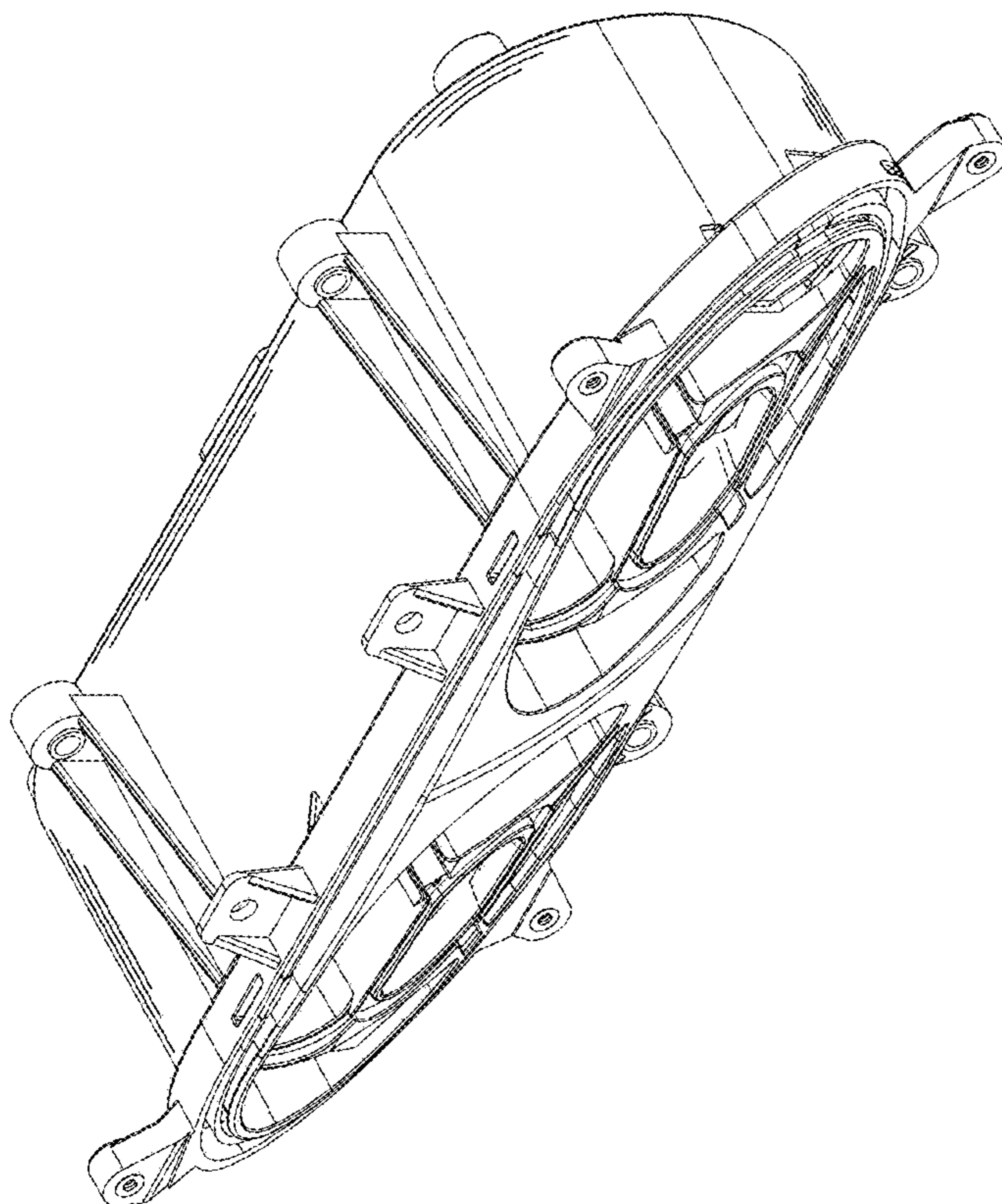
(57) **CLAIM**

The ornamental design for a headlight, as shown and described.

DESCRIPTION

FIG. 1 is a perspective view of a headlight showing my new design;
FIG. 2 is a front elevational view thereof;
FIG. 3 is a top plan view thereof;
FIG. 4 is a left side elevational view thereof;
FIG. 5 is a rear elevational view thereof;
FIG. 6 is a right side view thereof; and,
FIG. 7 is a bottom plan view thereof.

1 Claim, 7 Drawing Sheets



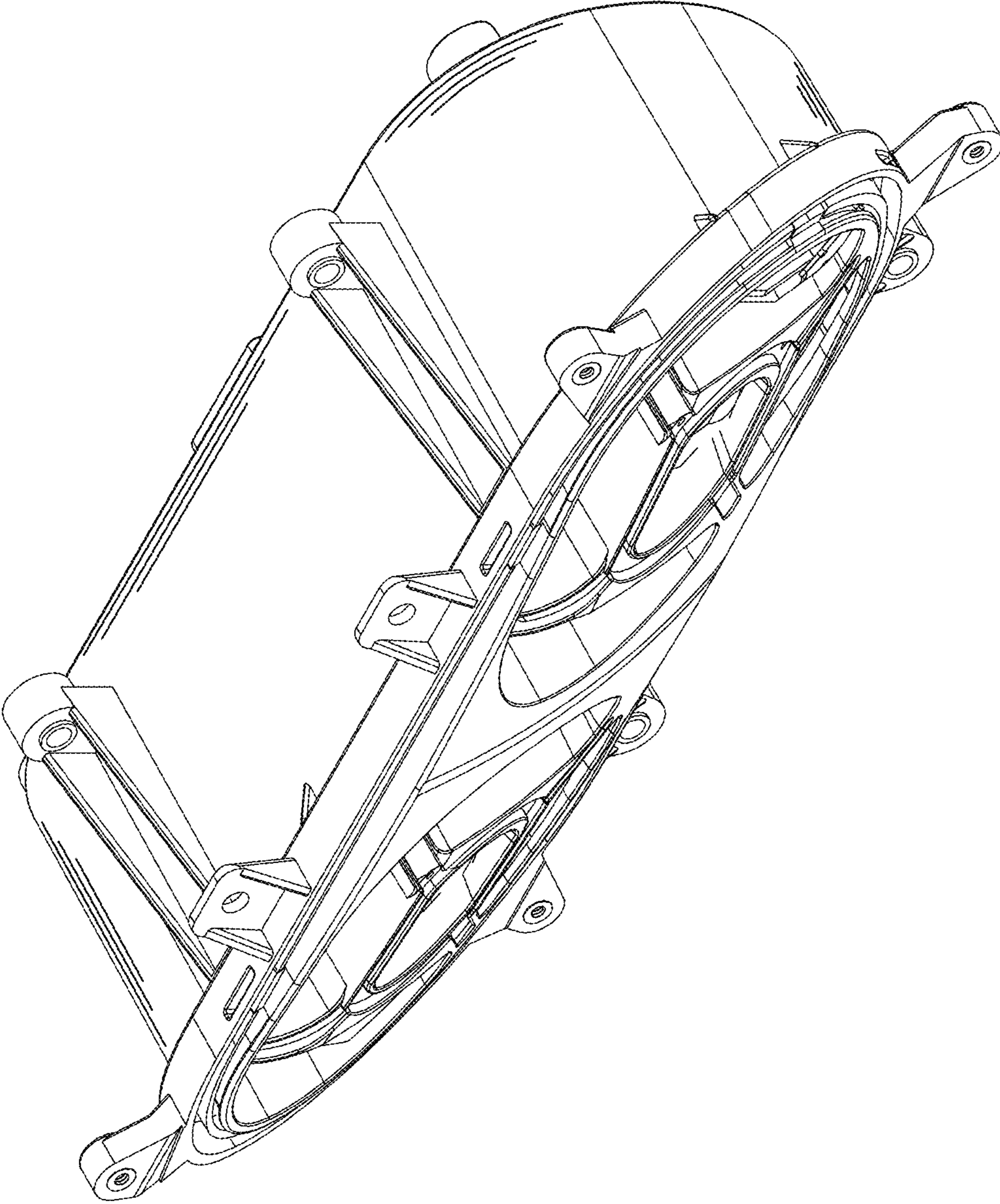


FIG. 1

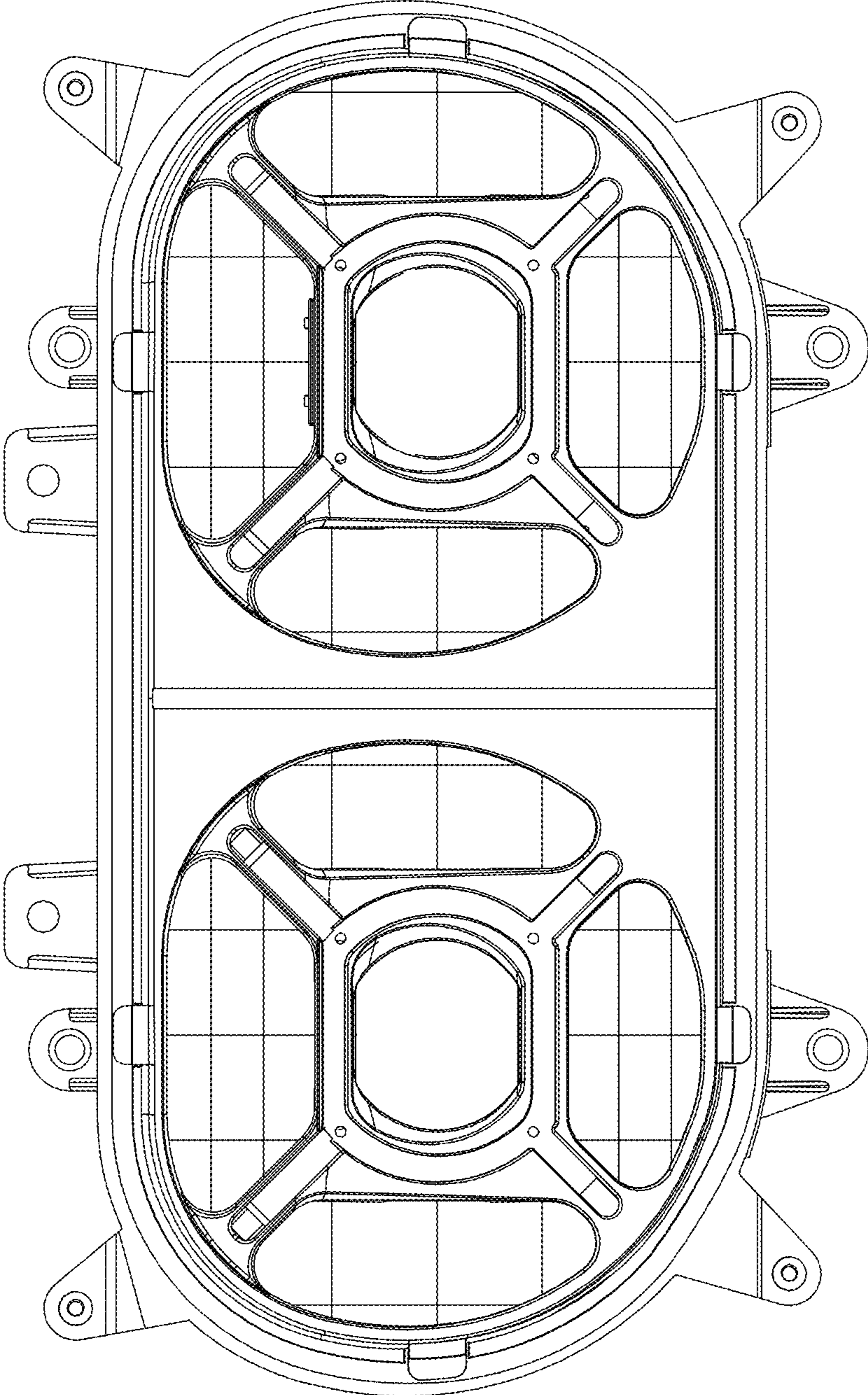


FIG. 2

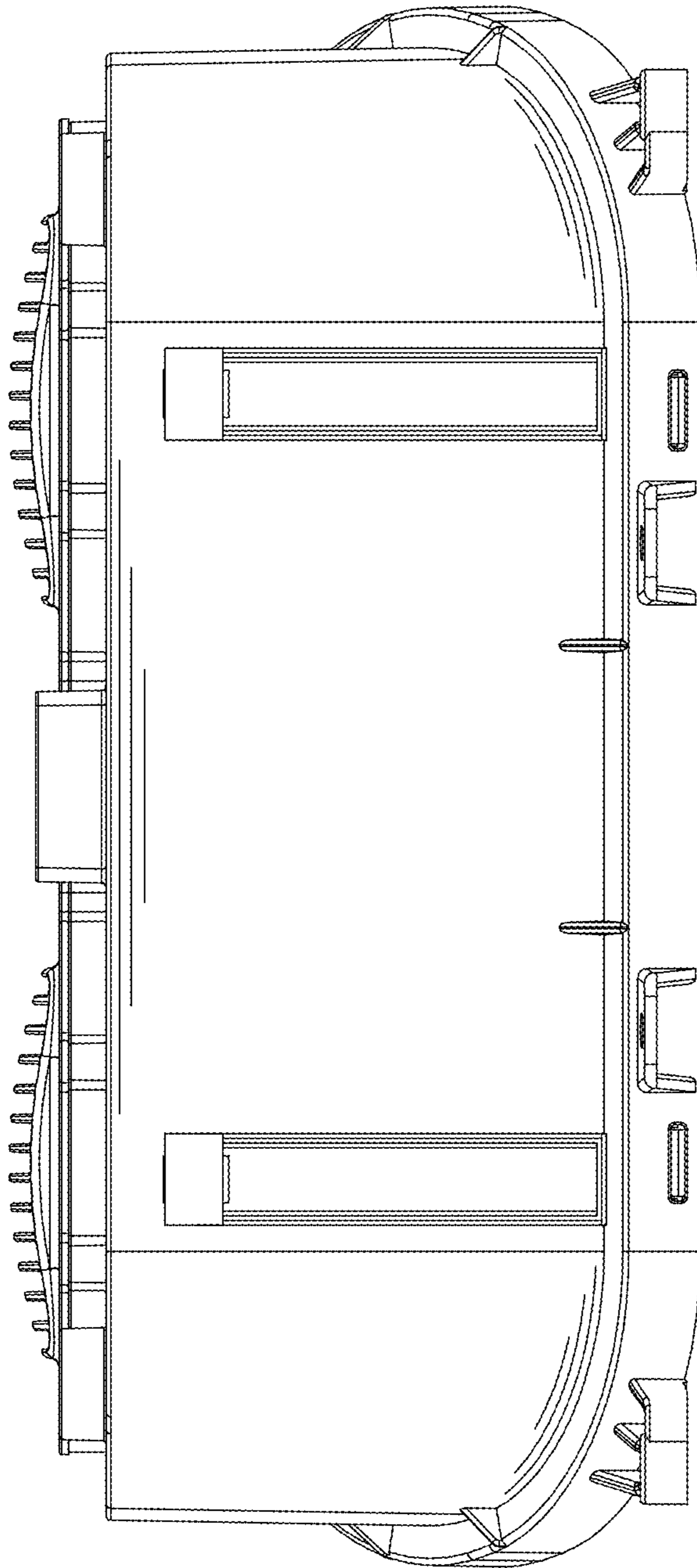


FIG. 3

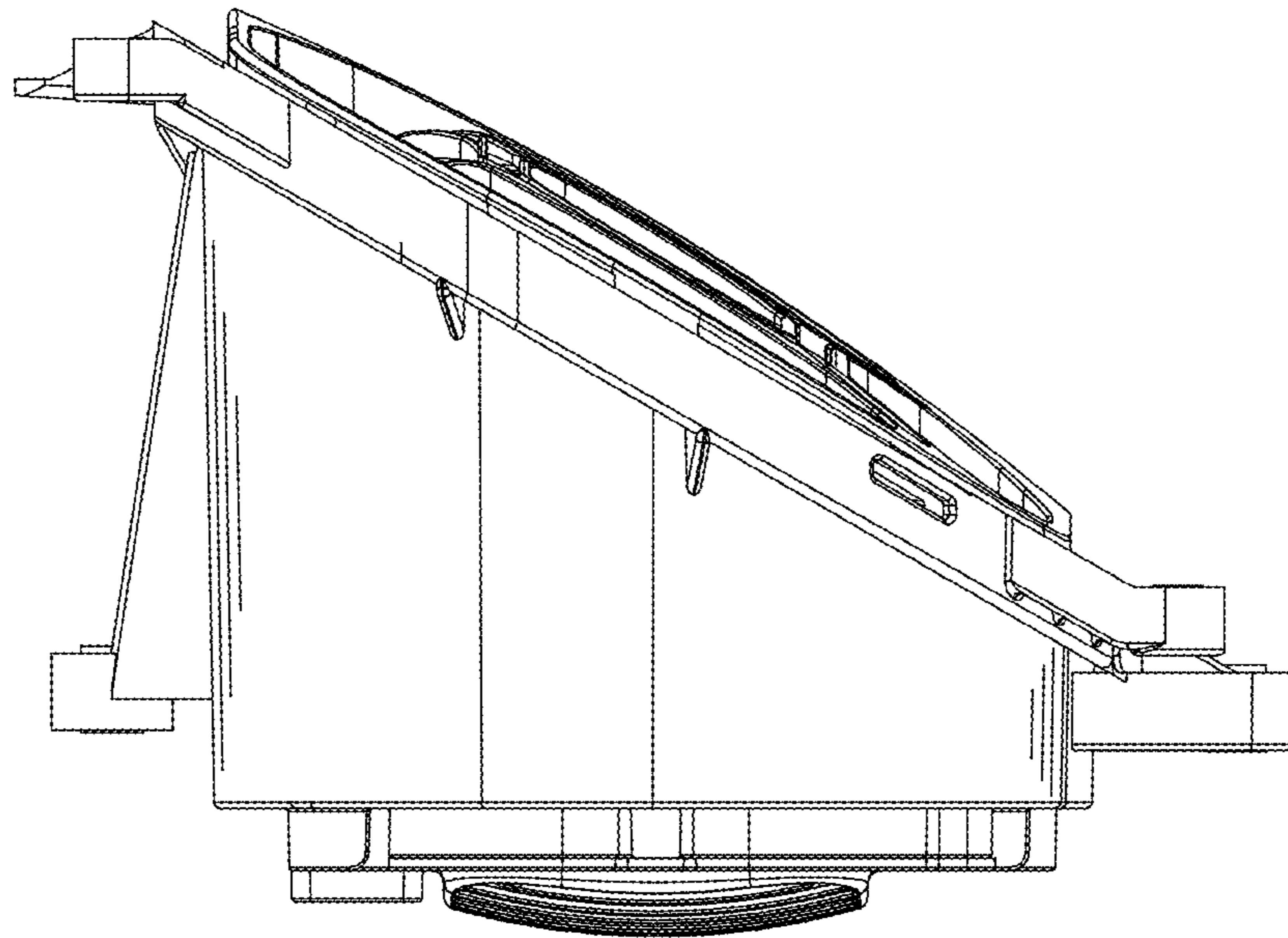


FIG. 4

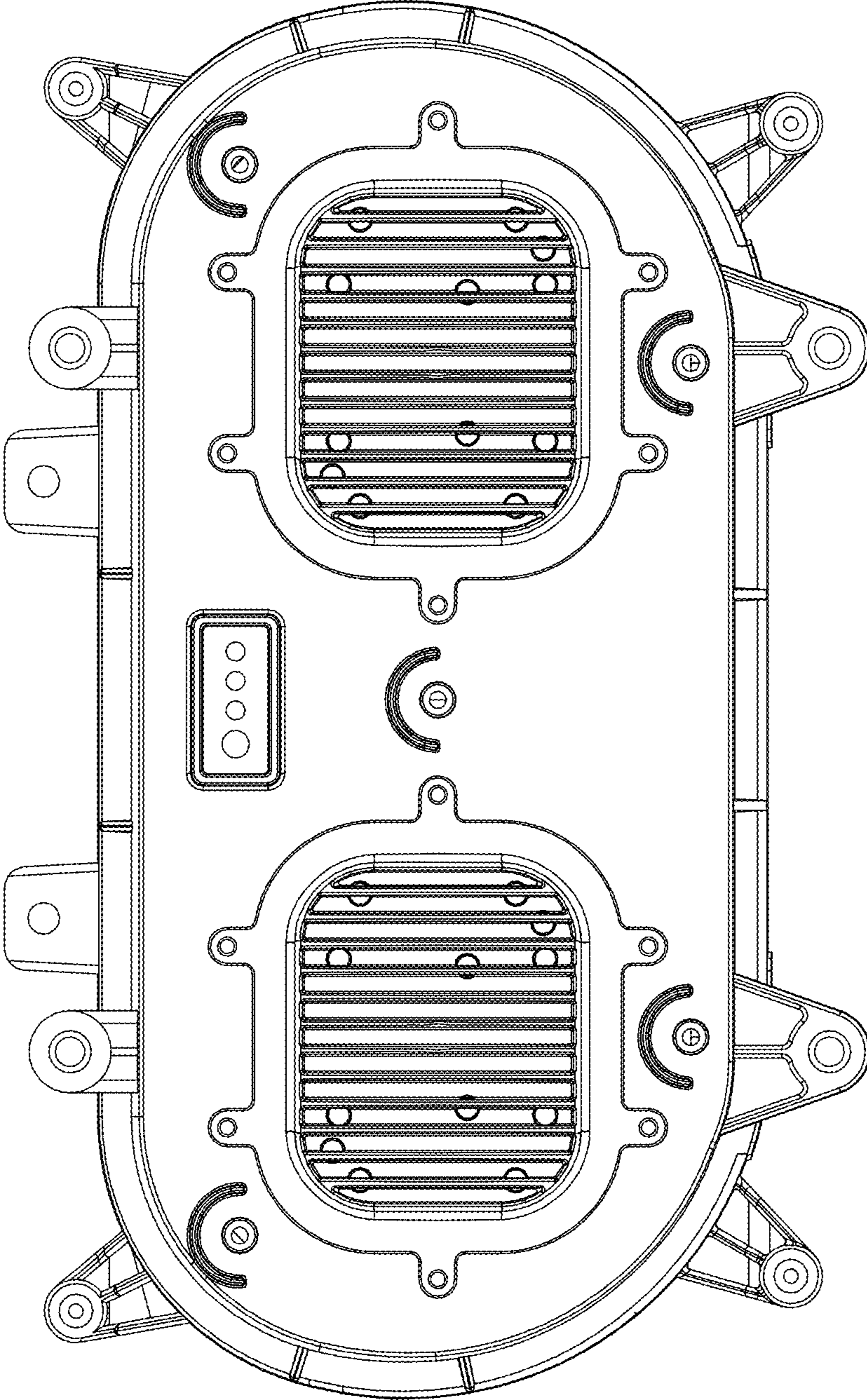


FIG. 5

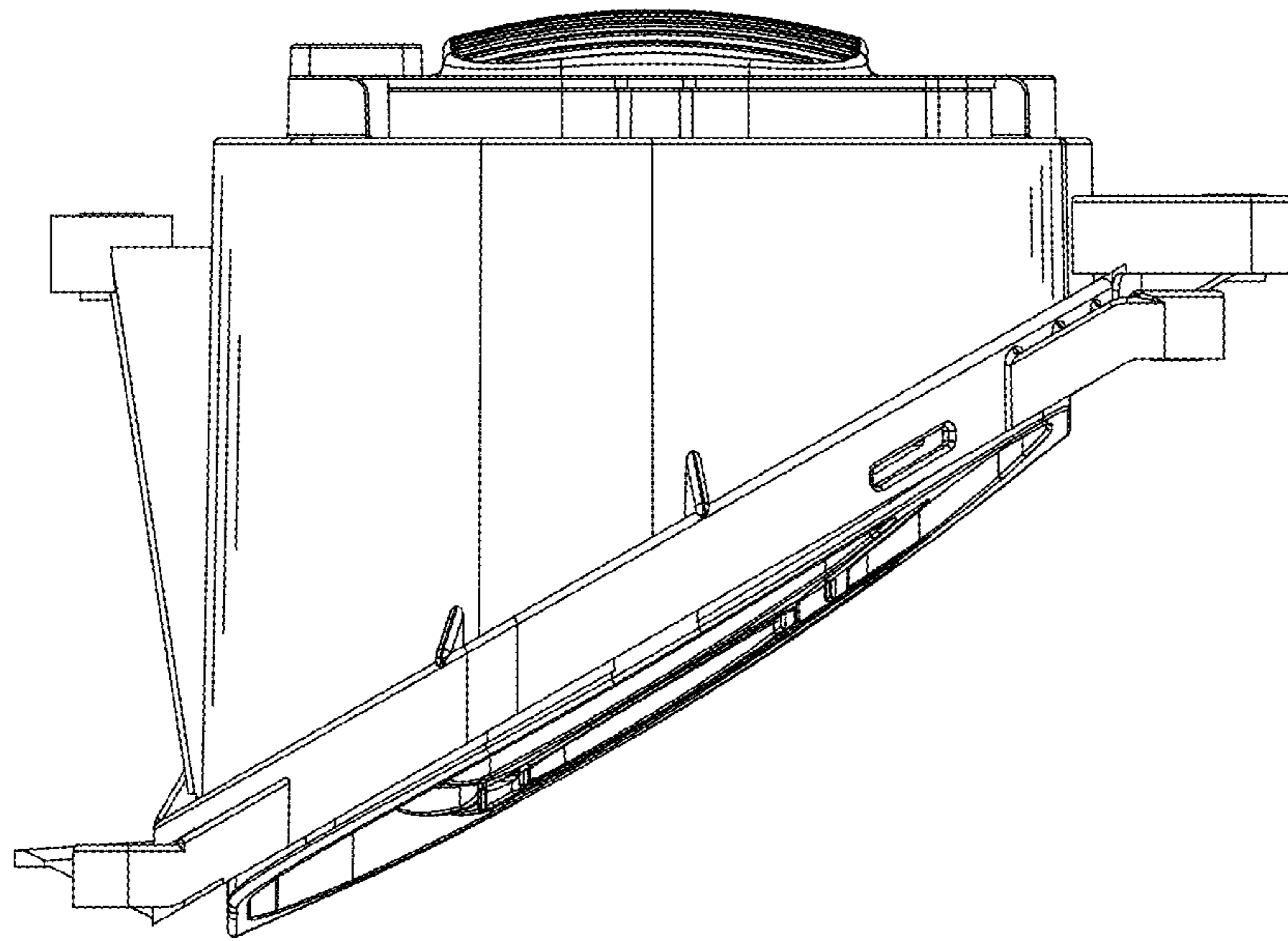


FIG. 6

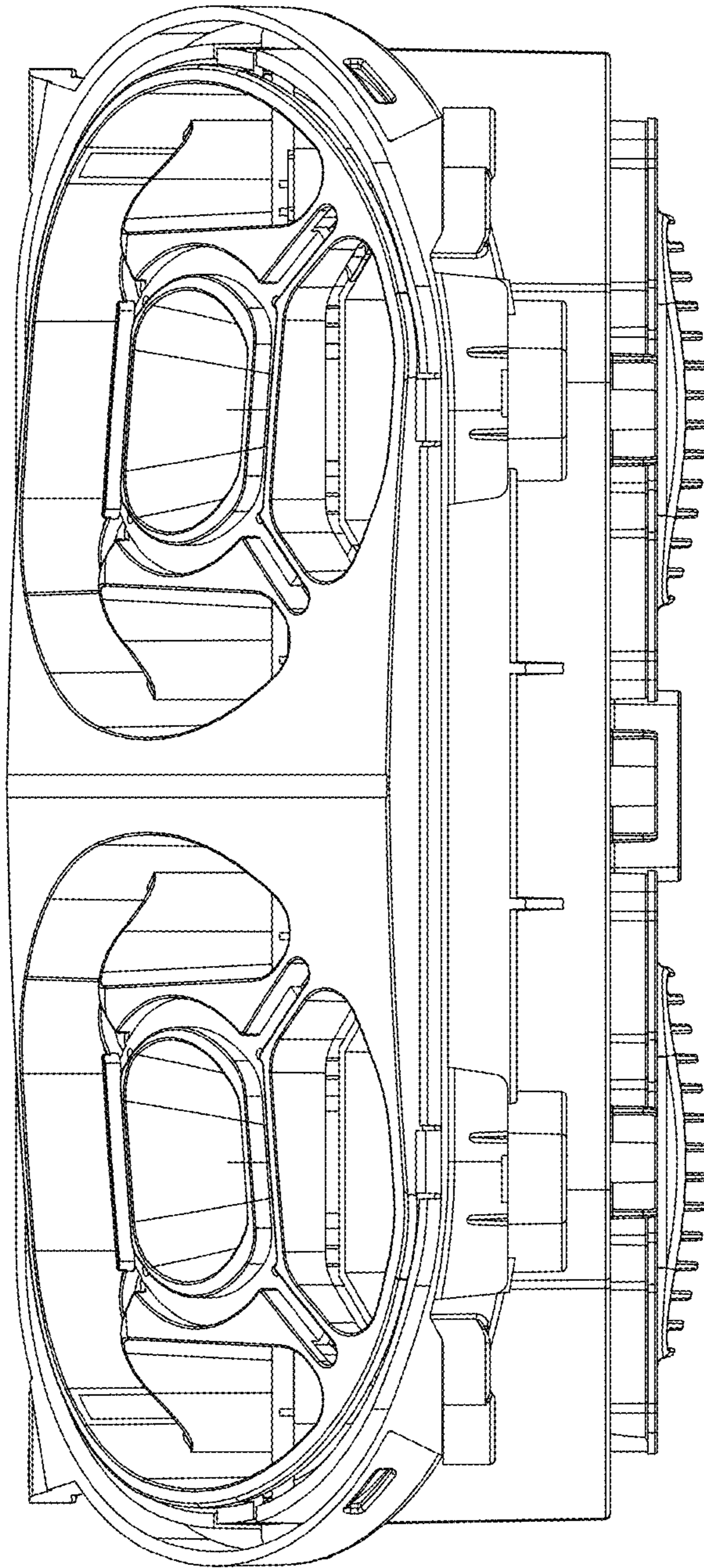


FIG. 7