



US00D901724S

(12) **United States Design Patent**
Archie

(10) **Patent No.:** **US D901,724 S**

(45) **Date of Patent:** **** Nov. 10, 2020**

- (54) **FOAM PANEL**
- (71) Applicant: **Abundant Freedom LLC**, Charlotte, NC (US)
- (72) Inventor: **Matthew Archie**, Charlotte, NC (US)
- (73) Assignee: **Abundant Freedom LLC**, Santa Fe, NM (US)
- (**) Term: **15 Years**
- (21) Appl. No.: **29/703,014**
- (22) Filed: **Aug. 23, 2019**
- (51) **LOC (12) Cl.** **25-01**
- (52) **U.S. Cl.**
USPC **D25/159**
- (58) **Field of Classification Search**
USPC D25/159
CPC ... E04C 2/528; E04C 2/00; E04C 2/04; E04C 2/041; E04F 13/0869; E04F 13/0871; E04F 13/0864; E04B 1/12; E04B 2/7409
See application file for complete search history.

- 8,833,021 B2 * 9/2014 Yen E04F 13/0889 52/302.3
- 9,097,024 B2 * 8/2015 Culpepper E04F 13/0878
- 9,476,202 B2 * 10/2016 Clancy E04B 1/80
- 9,702,152 B2 * 7/2017 Sievers E04F 13/0869
- 10,167,629 B2 * 1/2019 Ciuperca E04B 2/706
- 10,167,630 B2 * 1/2019 Giles E04B 2/562
- D842,500 S * 3/2019 Darrow D25/159
- 10,392,802 B2 * 8/2019 Kreizinger G01N 3/32

* cited by examiner

Primary Examiner — Doris Clark

(74) *Attorney, Agent, or Firm* — Goldstein Law Offices P.C.

(57) **CLAIM**

What is claimed is the ornamental design for a foam panel, substantially as shown and described.

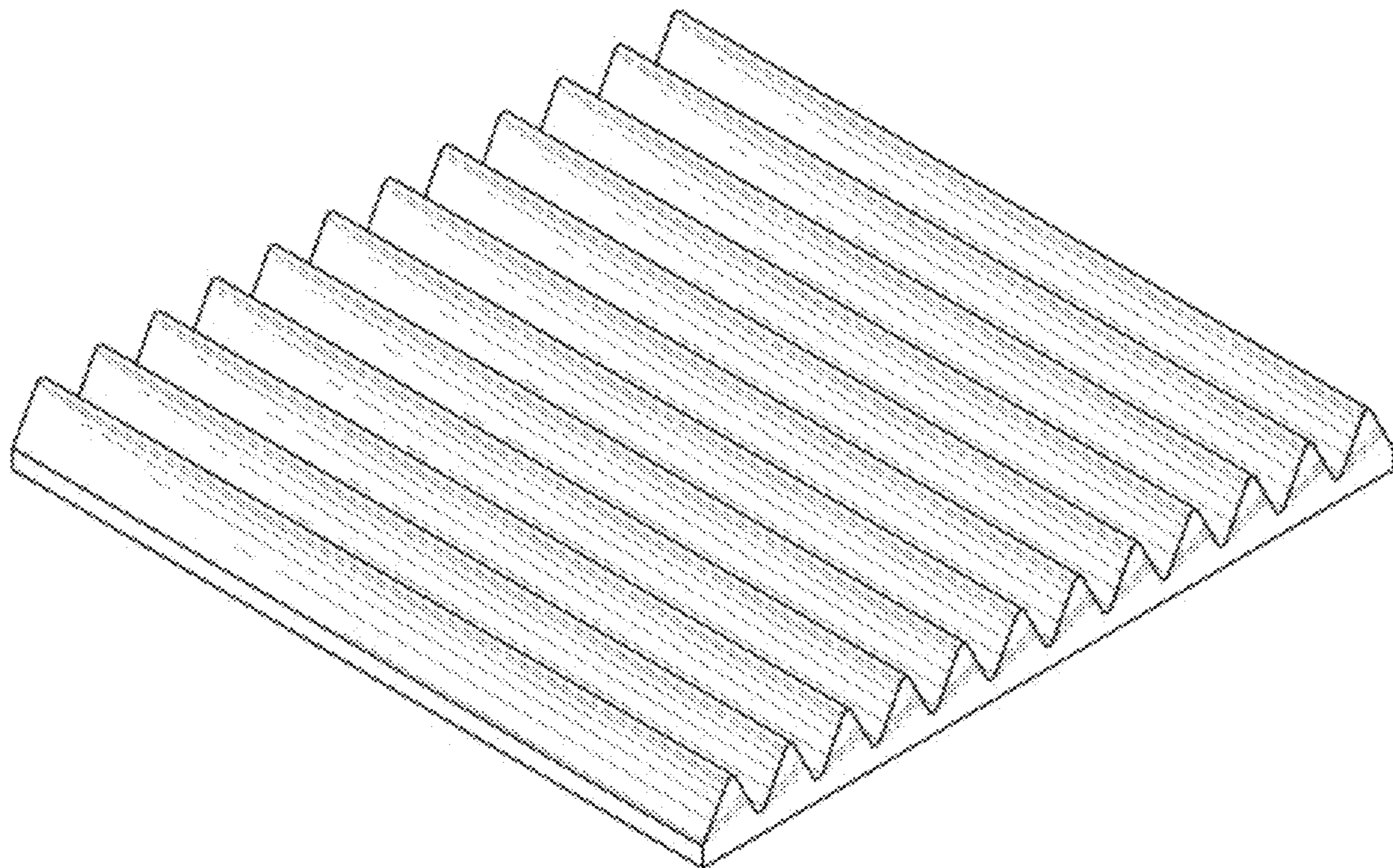
DESCRIPTION

FIG. 1 is a top, perspective view of the foam panel, showing my new design;
FIG. 2 is a front elevation view thereof;
FIG. 3 is a top view thereof;
FIG. 4 is a bottom view thereof; and,
FIG. 5 is a side elevation view thereof.

A description of the appearance of the article is as follows:
A foam panel. Any broken lines showing portions of the design in the figures are included for the purpose of illustrating environment and unclaimed features and forms not part of the claimed design.

1 Claim, 5 Drawing Sheets

- (56) **References Cited**
U.S. PATENT DOCUMENTS
6,293,069 B1 * 9/2001 Monda E04B 1/76 428/316.6
7,908,814 B2 * 3/2011 Wilson E04F 13/0864 52/519



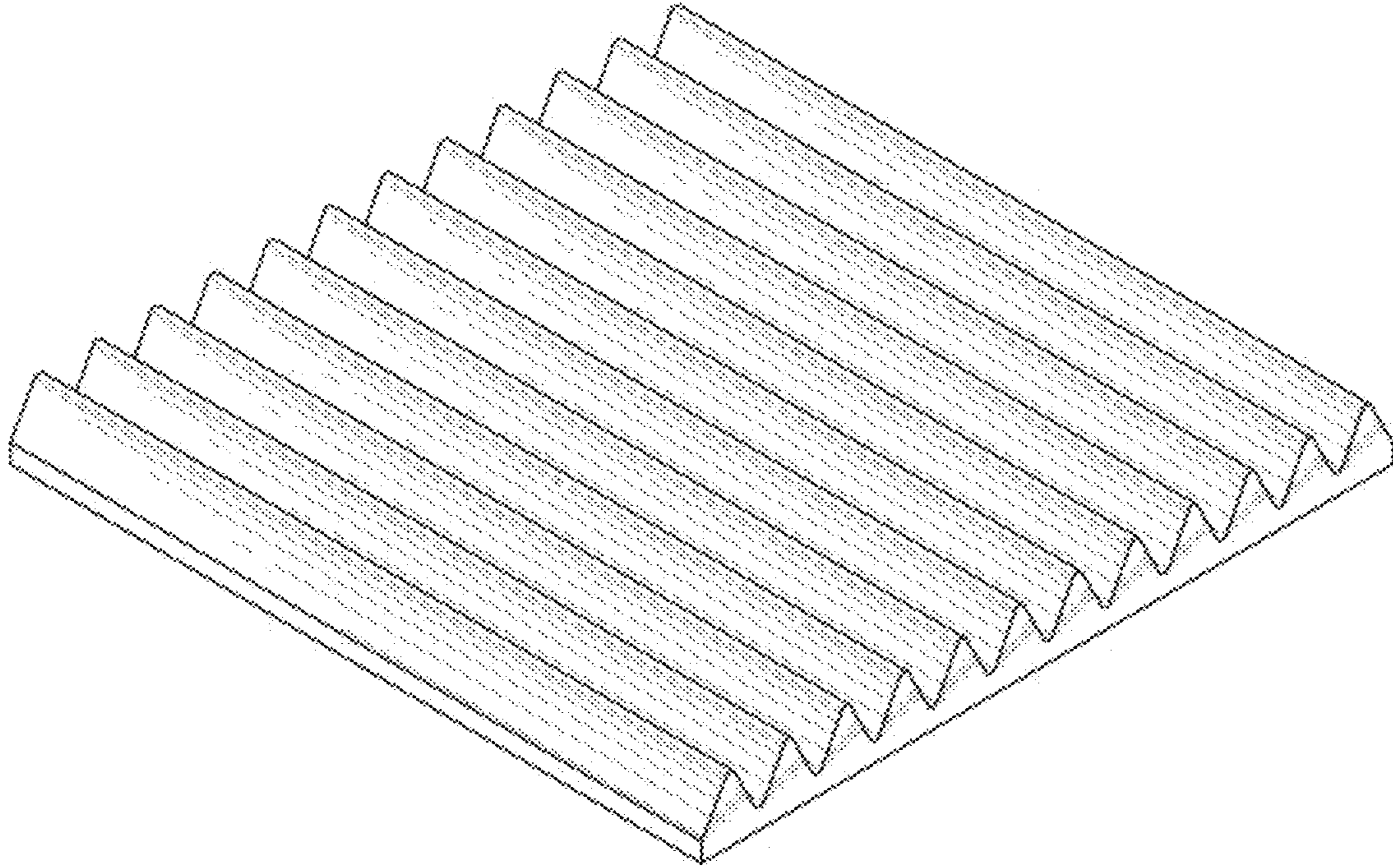


Fig. 1



Fig. 2

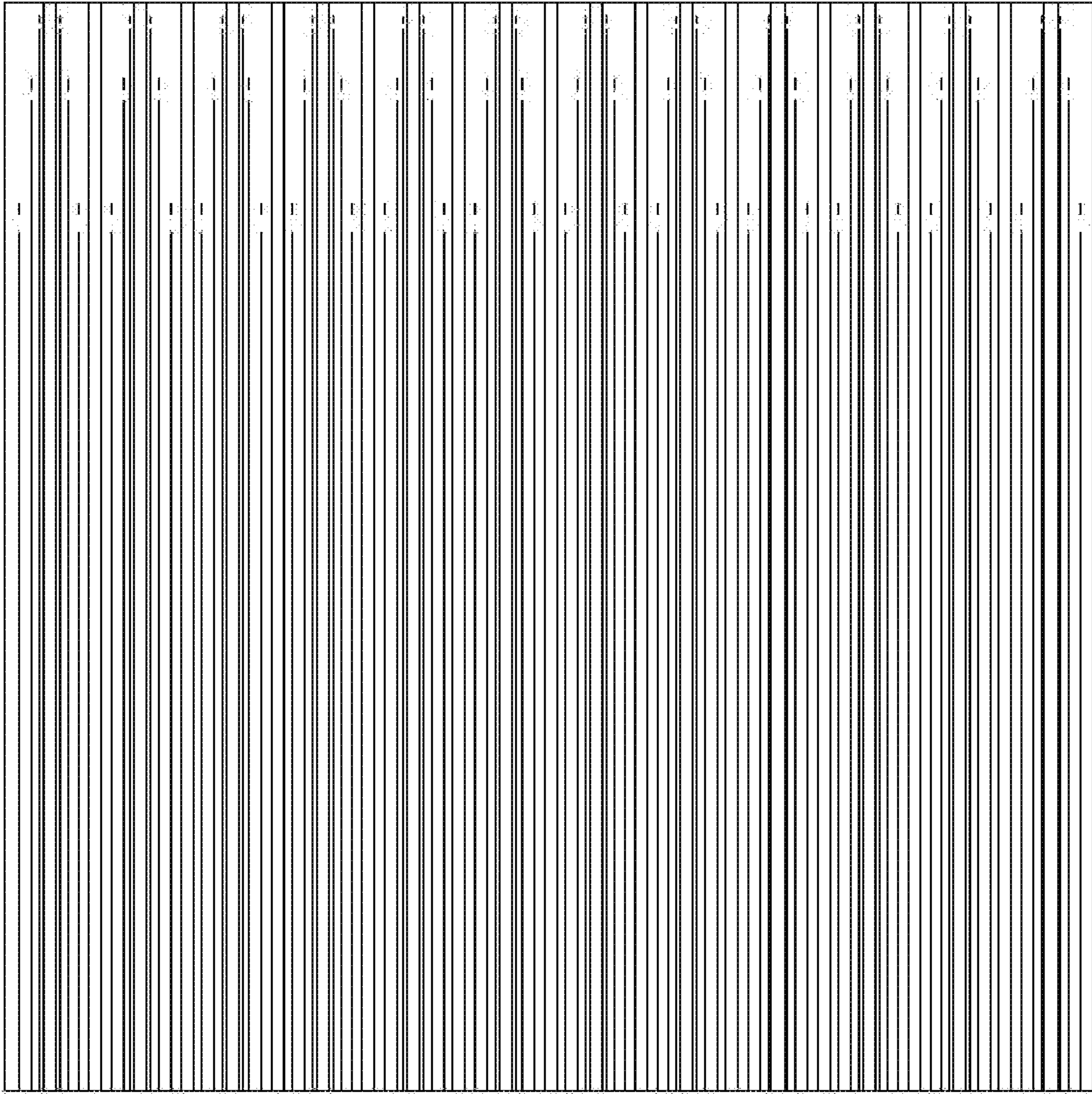


Fig. 3

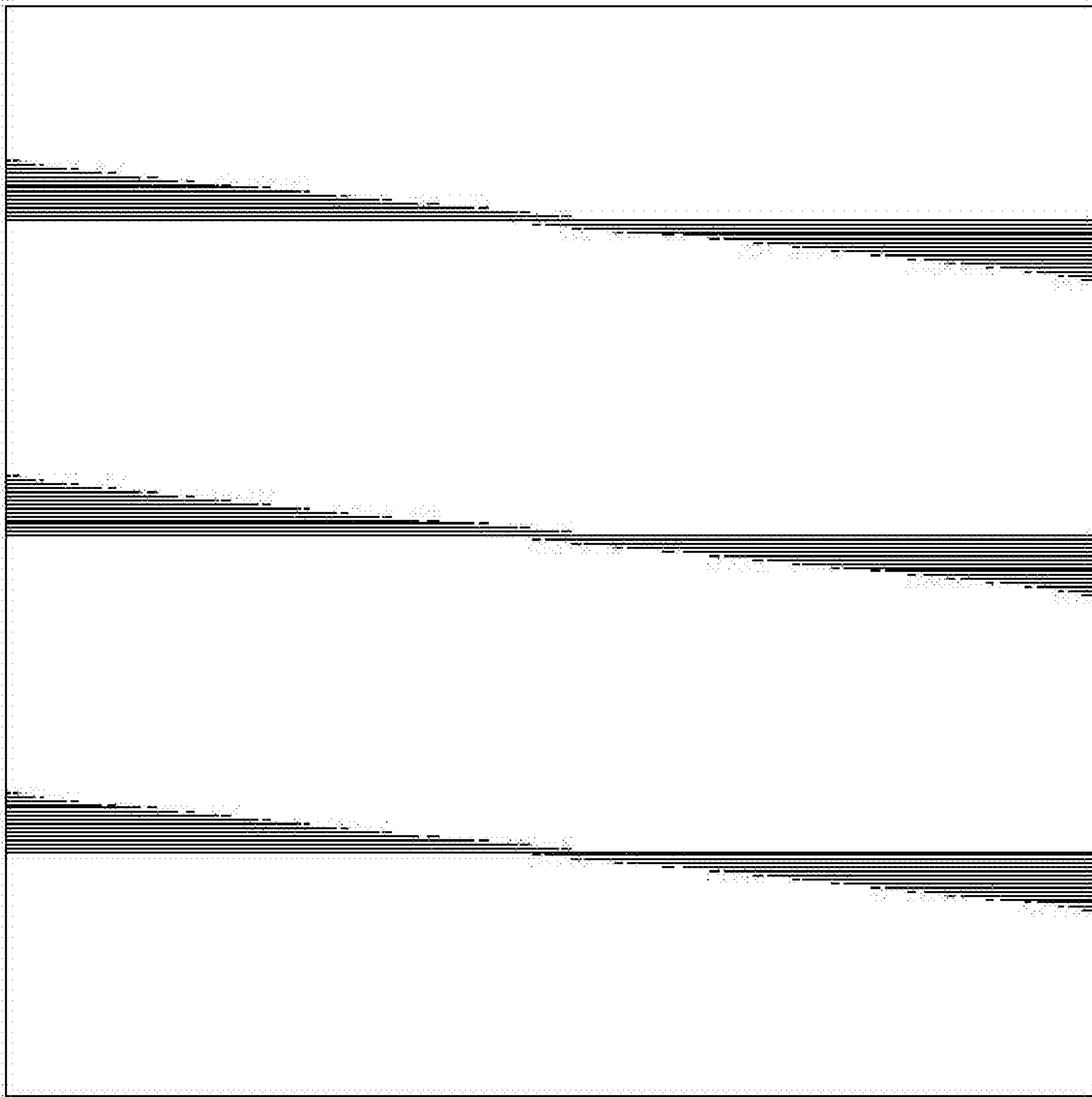


Fig. 4

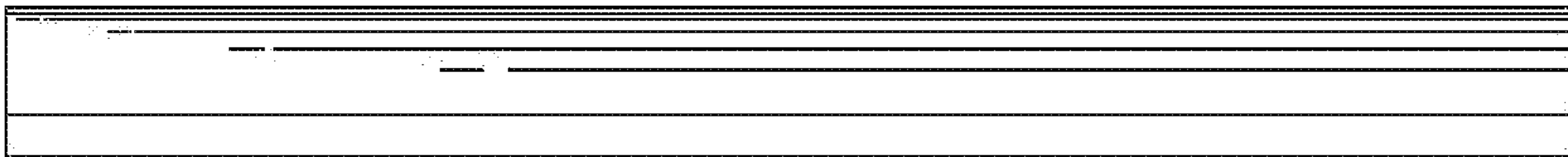


Fig. 5