



US00D901723S

(12) **United States Design Patent**
Kosonen

(10) **Patent No.:** **US D901,723 S**

(45) **Date of Patent:** **** Nov. 10, 2020**

(54) **WINDOW COMPONENT EXTRUSION**

(71) Applicant: **Mikron Industries, Inc.**, Kent, WA
(US)

(72) Inventor: **Martin S. Kosonen**, Bothell, WA (US)

(73) Assignee: **Mikron Industries, Inc.**, Kent, WA
(US)

(**) Term: **15 Years**

(21) Appl. No.: **29/690,472**

(22) Filed: **May 8, 2019**

(51) **LOC (12) Cl.** **25-01**

(52) **U.S. Cl.**
USPC **D25/124**

(58) **Field of Classification Search**
USPC D25/119–125
CPC E06B 1/04; E06B 1/12; E06B 1/14; E06B
1/16; E06B 1/26; E06B 1/28; E06B 1/36;
E06B 1/366

See application file for complete search history.

(56) **References Cited**

U.S. PATENT DOCUMENTS

D376,212 S *	12/1996	DiGiorgio	D25/124
D478,679 S *	8/2003	Franson	D25/124
D664,679 S *	7/2012	Kim	D25/124
8,632,868 B2 *	1/2014	Melkonian	E06B 1/36 428/36.5
D724,763 S	3/2015	Fannan		
D724,764 S *	3/2015	Fannan	D25/124
D724,765 S	3/2015	Fannan		
D724,766 S *	3/2015	Fannan	D25/124

D724,768 S *	3/2015	Cloutier	D25/125
D725,295 S *	3/2015	Fannan	D25/124
D725,797 S	3/2015	Fannan		
D725,798 S *	3/2015	Fannan	D25/124
D731,677 S *	6/2015	Bernier	D25/125
D769,464 S *	10/2016	Fannan	D25/124
D820,474 S *	6/2018	Kosonen	D25/119
D852,985 S *	7/2019	Kosonen	D25/124
2011/0120034 A1 *	5/2011	Melkonian	E06B 1/36 52/204.5
2020/0082240 A1 *	3/2020	Heitmar	E06B 1/36

OTHER PUBLICATIONS

Mikron Industries, extrusion profile 10603.
Mikron Industries, extrusion profile 10643.
Mikron Industries, extrusion profile 10803.
Mikron Industries, extrusion profile 6509.

* cited by examiner

Primary Examiner — Llorellys Martinez
(74) *Attorney, Agent, or Firm* — Zollinger & Burleson
Ltd.

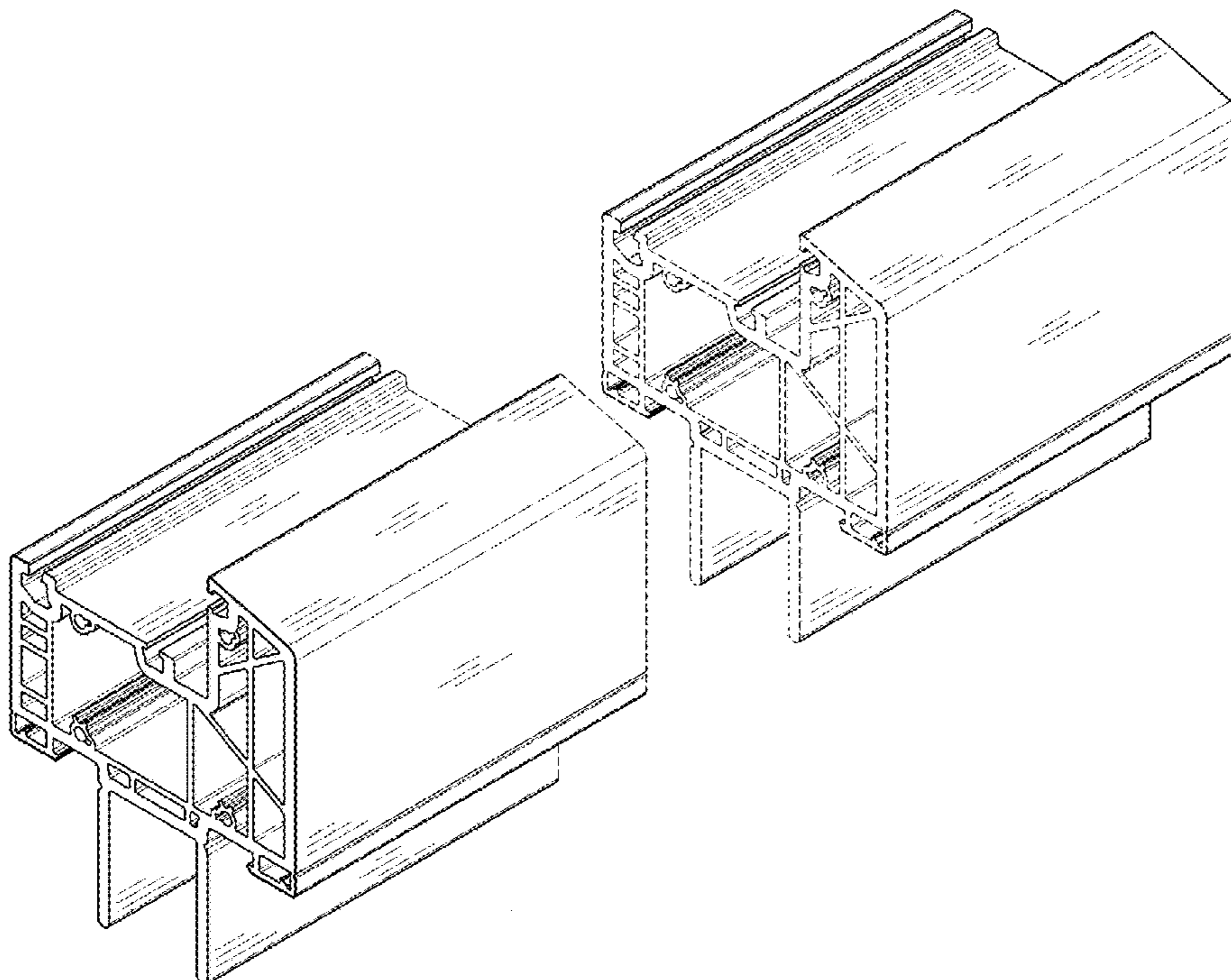
(57) **CLAIM**

The ornamental design for a window component extrusion,
as shown and described.

DESCRIPTION

FIG. 1 is a top perspective view of a window component
extrusion; and,
FIG. 2 is a bottom perspective view thereof.

1 Claim, 2 Drawing Sheets



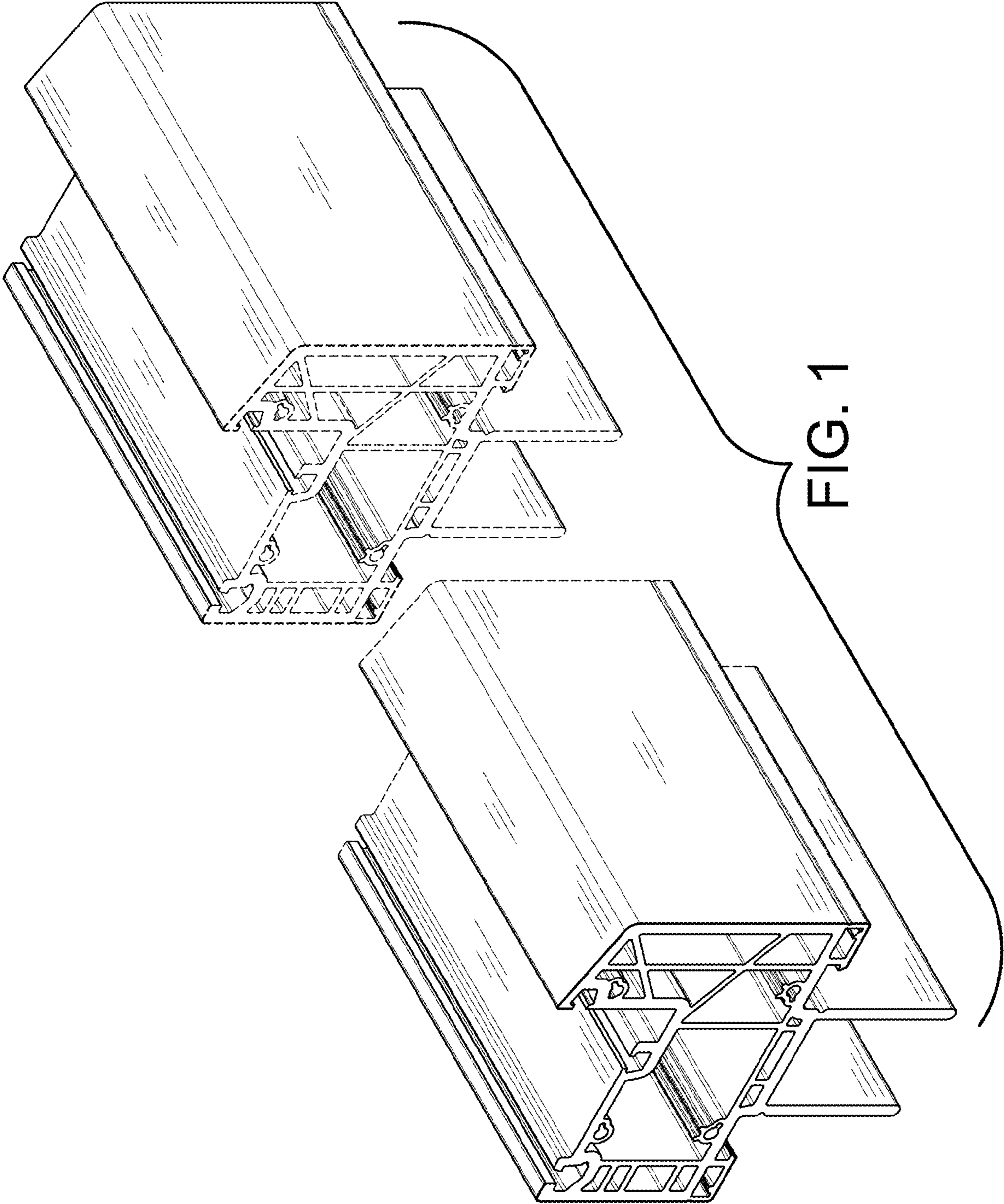


FIG. 1

