



US00D901722S

(12) **United States Design Patent** (10) **Patent No.:** **US D901,722 S**  
**Helms et al.** (45) **Date of Patent:** **\*\* Nov. 10, 2020**

(54) **BUILDING EXTRUSION**  
(71) Applicant: **Golden Homes Holdings Limited,**  
Tauranga (NZ)  
(72) Inventors: **Lennard Trevor Helms,** Tauranga  
(NZ); **Michael Petersen,** Auckland  
(NZ)  
(73) Assignee: **GOLDEN HOMES HOLDINGS**  
**LIMITED,** Tauranga (NZ)

D344,423 S \* 2/1994 Pate ..... D25/119  
5,579,617 A \* 12/1996 Schiedegger ..... E04F 19/02  
52/287.1  
D397,810 S \* 9/1998 Basset ..... D25/199  
D400,986 S \* 11/1998 Kanta ..... D25/199  
D438,650 S \* 3/2001 Neuhofer, Jr. .... D25/199  
D443,079 S \* 5/2001 Neuhofer, Jr. .... D25/164  
D620,622 S \* 7/2010 Steel ..... D25/164  
D829,928 S \* 10/2018 Dye ..... D25/48.2  
2003/0051416 A1 \* 3/2003 Inzeo ..... E04D 13/155  
52/40  
2009/0013636 A1 \* 1/2009 Wilson ..... E04F 19/02  
52/718.01

(\*\*) Term: **15 Years**

\* cited by examiner

(21) Appl. No.: **29/672,298**

*Primary Examiner* — Llorellys Martinez

(22) Filed: **Dec. 4, 2018**

(74) *Attorney, Agent, or Firm* — Knobbe, Martens, Olson  
& Bear, LLP

(30) **Foreign Application Priority Data**

Jul. 30, 2018 (NZ) ..... 424775

(51) **LOC (12) Cl.** ..... **25-01**

(52) **U.S. Cl.**  
USPC ..... **D25/119**

(58) **Field of Classification Search**  
USPC ..... D25/48.2, 55, 119–123, 164, 199;  
D8/349, 354, 376

CPC ..... E04F 19/00; E04F 19/02; E04F 19/022;  
E04F 19/026; E04F 19/028; E04F 19/04;  
E04F 19/06; E04F 19/062; E04F 19/063;  
E04F 19/064; E04F 13/00; E04F 13/007;  
E04F 13/07; E04F 13/072; E04F 13/073;  
E04F 13/0733; E04F 13/0736; E04F  
2019/044; E04F 2019/0445; E04D 13/08;  
E04C 2/46

See application file for complete search history.

(56) **References Cited**

**U.S. PATENT DOCUMENTS**

D279,315 S \* 6/1985 Smith ..... D25/119  
4,793,114 A \* 12/1988 Pacca ..... E06B 1/702  
D25/119

(57) **CLAIM**

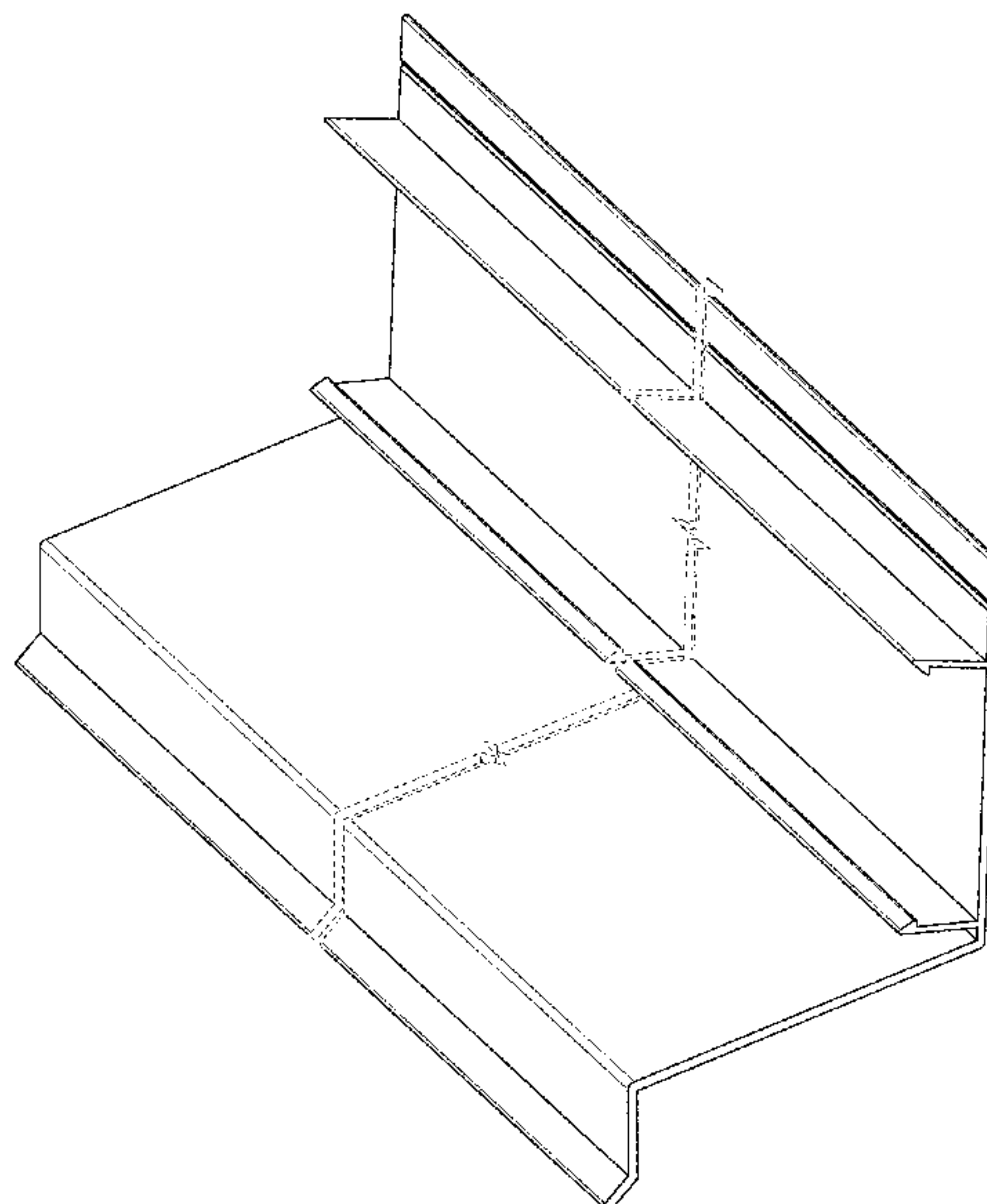
The ornamental design for a building extrusion, as shown  
and described.

**DESCRIPTION**

FIG. 1 is a front end view of a building extrusion, showing  
our new design;  
FIG. 2 is a back end view thereof;  
FIG. 3 is a right side elevational view thereof;  
FIG. 4 is a left side elevational view thereof;  
FIG. 5 is a bottom plan view thereof;  
FIG. 6 is a top plan view thereof; and,  
FIG. 7 is a perspective view thereof.

The building extrusion is shown with a symbolic break in its  
length. The appearance of any portion of the building  
extrusion between the break lines forms no part of the  
claimed design.

**1 Claim, 7 Drawing Sheets**



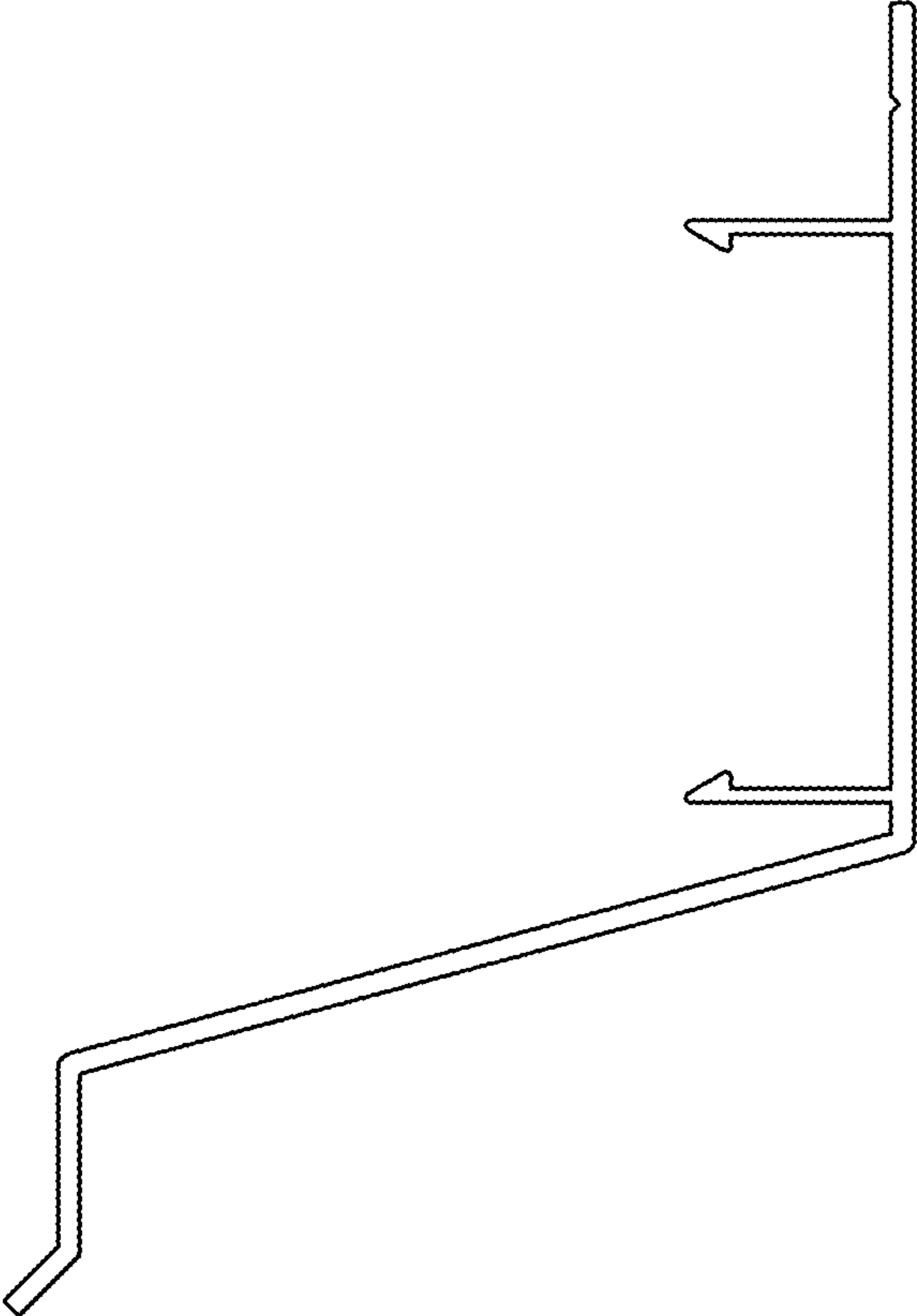


FIG. 1

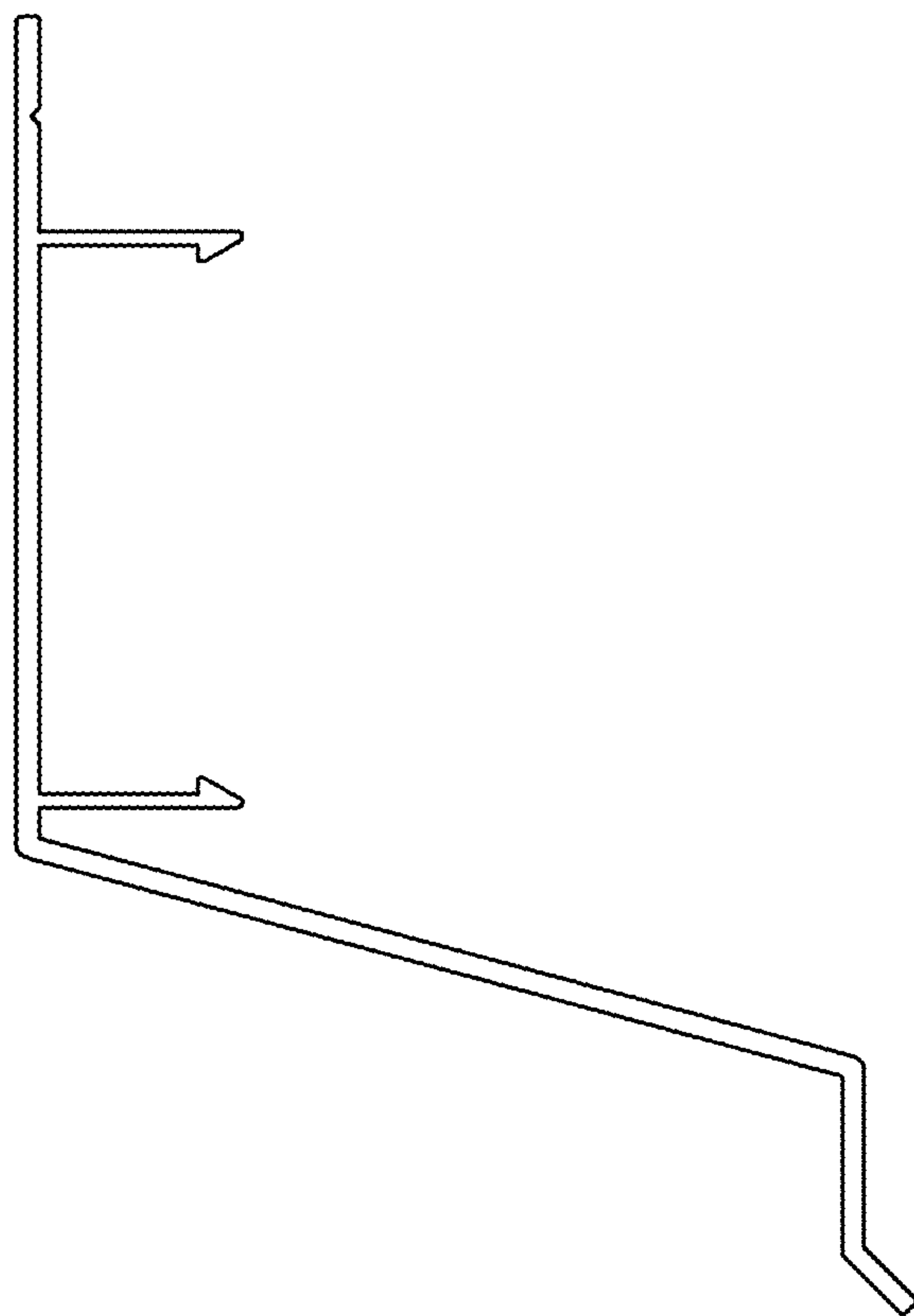


FIG. 2

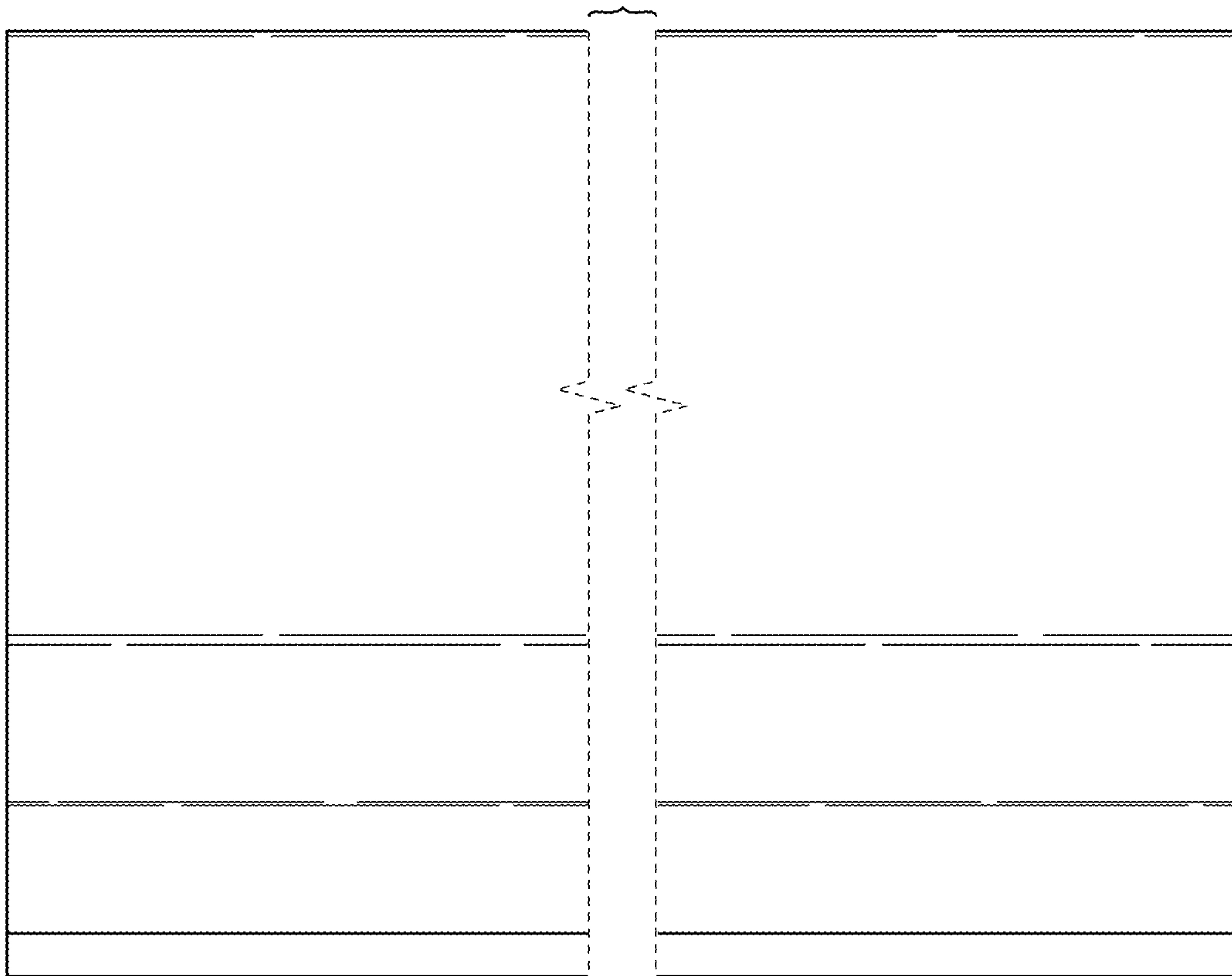


FIG. 3

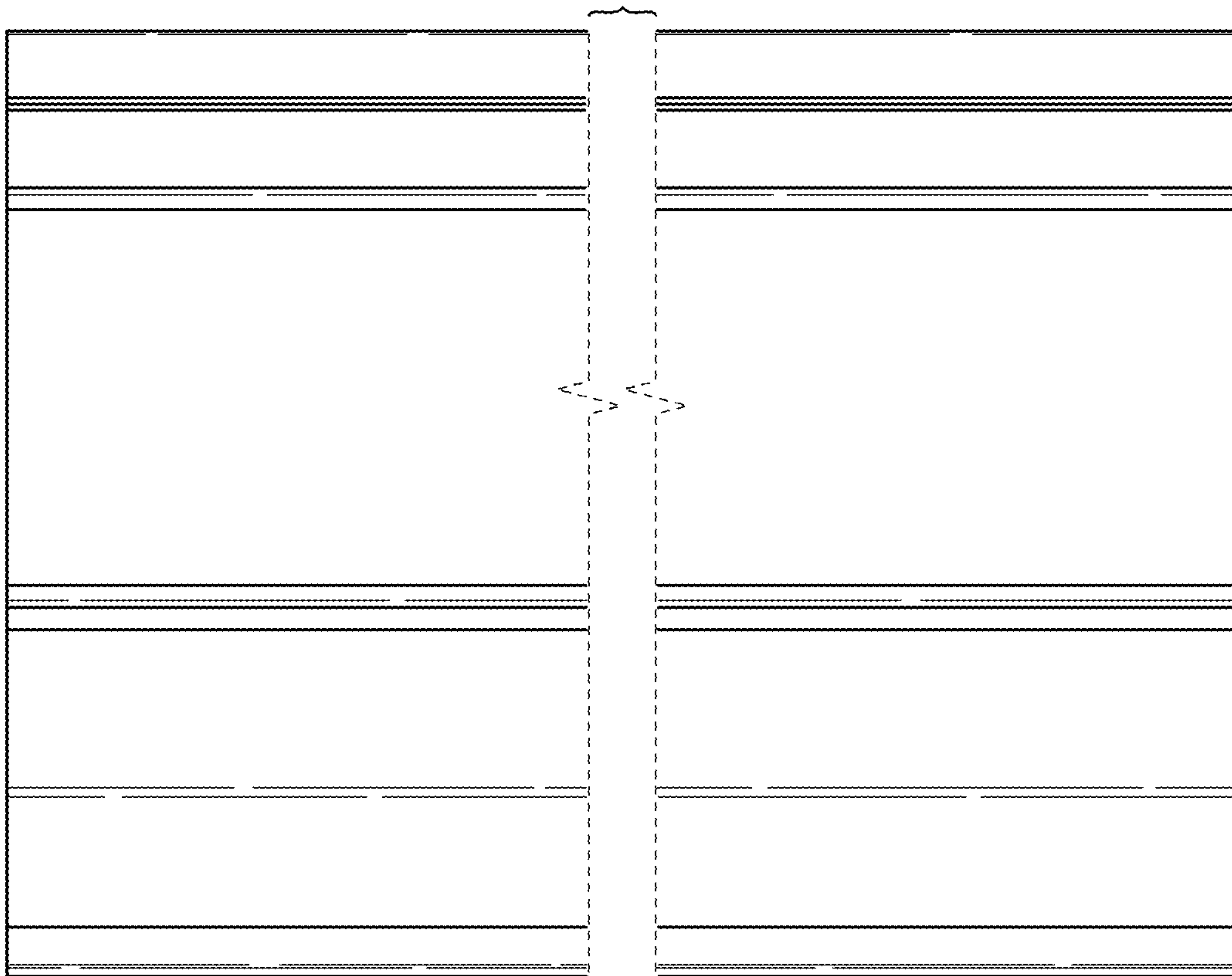


FIG. 4

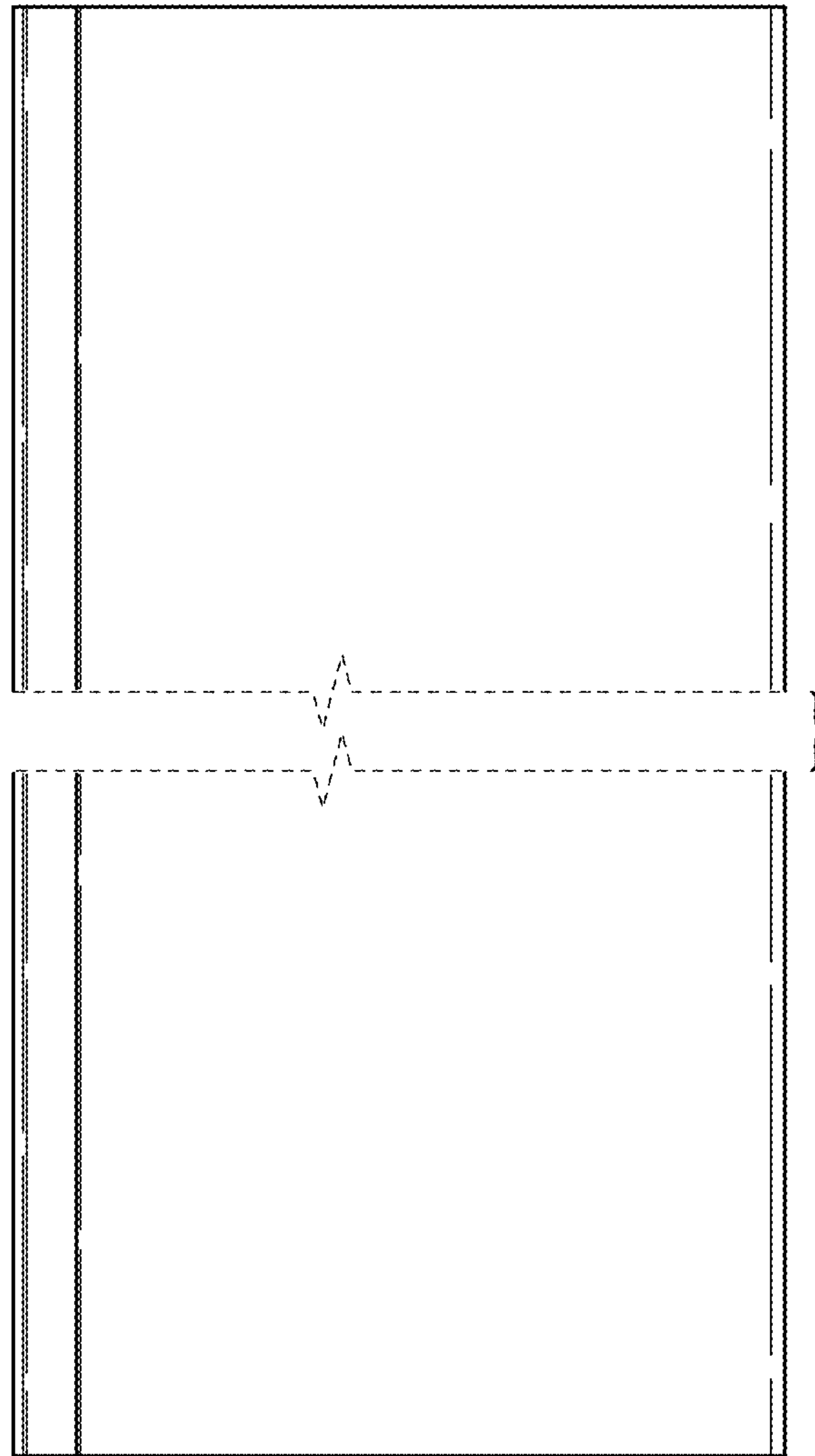


FIG. 5

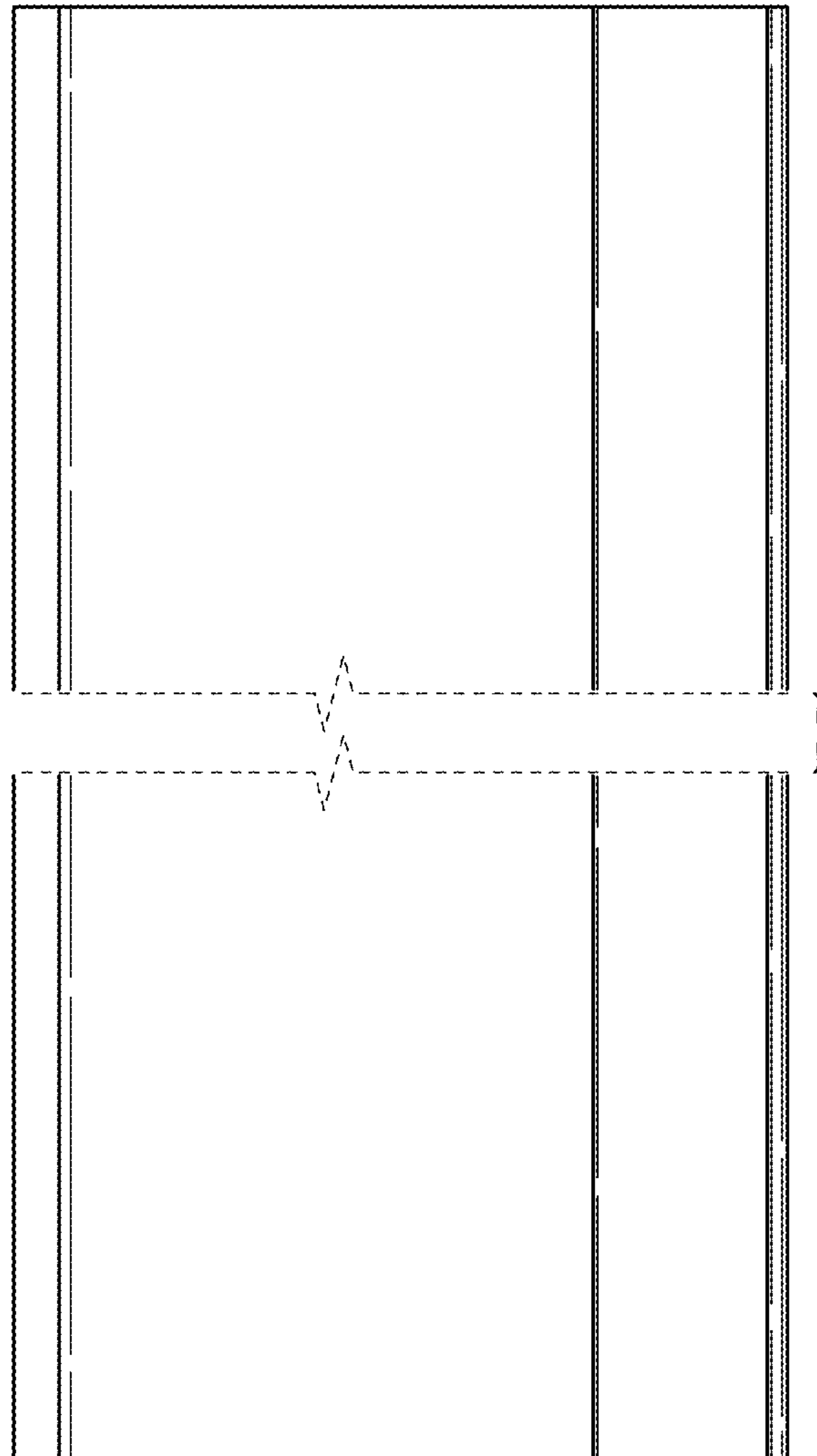


FIG. 6

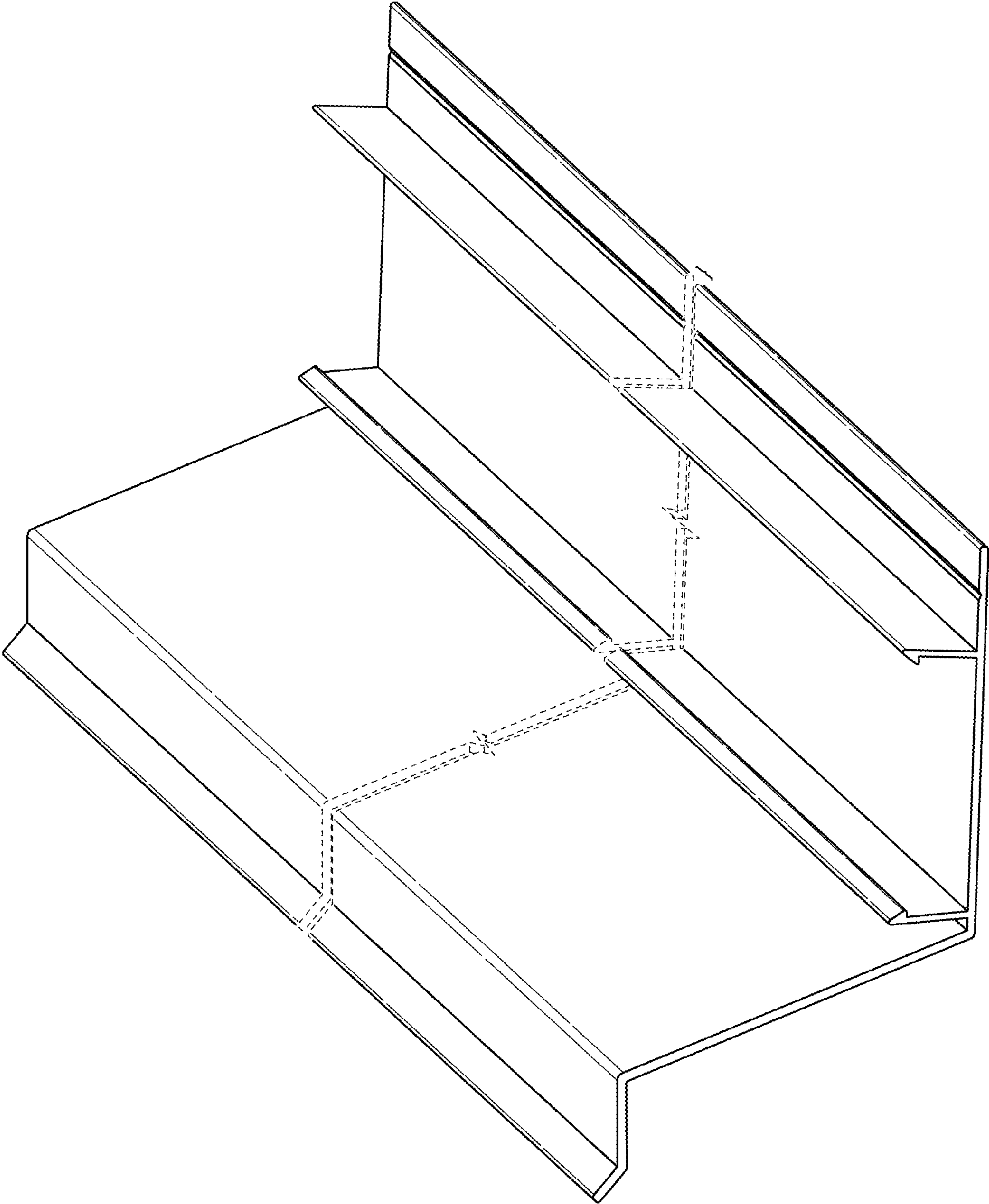


FIG. 7