



US00D901720S

(12) **United States Design Patent**
Harrington

(10) **Patent No.:** **US D901,720 S**

(45) **Date of Patent:** **** Nov. 10, 2020**

(54) **PET DOOR**

(71) Applicant: **Lisa N. Harrington**, Somerville, MA
(US)

(72) Inventor: **Lisa N. Harrington**, Somerville, MA
(US)

(**) Term: **15 Years**

(21) Appl. No.: **29/620,834**

(22) Filed: **Jul. 11, 2017**

(51) **LOC (12) Cl.** **25-02**

(52) **U.S. Cl.**

USPC **D25/48.3**; D30/119; D30/108; D30/199

(58) **Field of Classification Search**

USPC D30/119, 136, 137, 138, 139, 144, 145,
D30/146, 151, 152, 153, 154, 158, 160,
D30/199, 161, 108, 117; D2/627, 719,
D2/860, 864, 909; D3/215, 217, 231,
D3/327, 11, 17, 201, 203.1, 207;
D29/101.1, 101.3, 101.4, 101.5;
D24/190, 192; D8/349, 354; 119/627,
119/654, 712, 769, 770, 792, 793, 795,
119/802, 822, 828, 831, 821, 850, 856,
119/858, 863, 865, 868, 907, 747, 772,
119/776, 780, 786, 787, 788, 797, 791;
135/118; 49/169; D25/48.3

CPC .. A01K 13/007; A01K 13/006; A01K 13/008;
A01K 27/00; A01K 27/002; A01K
27/004; A01K 27/005; A01K 27/006;
A01K 27/008; A01K 25/00; A01K 15/04;
A41B 13/06; A61F 11/12; A61D 9/00;
A61D 1/04; B68B 1/02; E06B 7/32

See application file for complete search history.

(56) **References Cited**

U.S. PATENT DOCUMENTS

4,840,217 A * 6/1989 Evans E06B 7/32
160/180
5,287,654 A * 2/1994 Davlantes A01K 1/035
47/56

5,651,331 A * 7/1997 Cleri, Jr. A01K 1/035
119/484

D392,047 S * 3/1998 Davlantes D25/48.7
D448,088 S * 9/2001 McFee D25/48.3

(Continued)

FOREIGN PATENT DOCUMENTS

CN 304307023 * 10/2017
GB 2006302 * 8/1990

(Continued)

OTHER PUBLICATIONS

Built In Interior Pet Cat Door for Medium & Large Cats, published Feb. 1, 2017 [online], [retrieved May 24, 2018], Available from Internet, URL: <https://www.amazon.com/dp/B01LWV0VEC/ref=sspa_dk_detail_0?psc=1&pd_rd_i=B01LWV0VEC&pd_rd_wg=bL5xV&pd_rd_r=65JMTF97WF0J7RG7K4C9&pd_rd_w=IWNqd>.*

(Continued)

Primary Examiner — Dana K Weiland

Assistant Examiner — Mary Claire Ramirez

(74) *Attorney, Agent, or Firm* — Hogaboam Law Offices, PLLC; Romney J. Hogaboam, Esq.

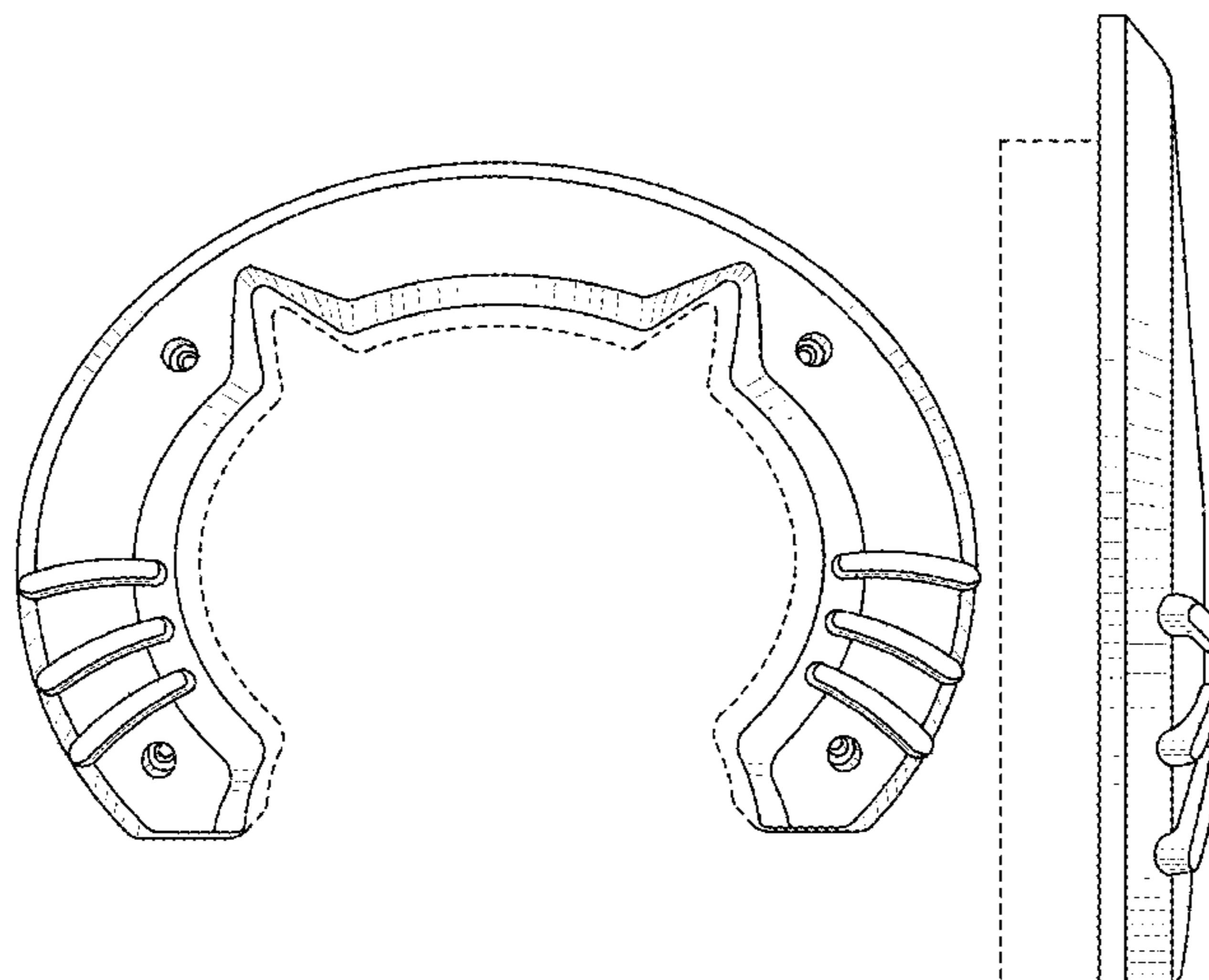
(57) **CLAIM**

The ornamental design for a pet door, as shown and described.

DESCRIPTION

FIG. 1 is a front perspective view of a pet door showing the new design;
FIG. 2 is a top perspective view thereof;
FIG. 3 is a bottom perspective view thereof;
FIG. 4 is a left side perspective view thereof;
FIG. 5 is a right side perspective view thereof; and,
FIG. 6 is a top, left, perspective view thereof.
The broken lines shown the drawings depict portions of the pet door that form no part of the claimed design.

1 Claim, 4 Drawing Sheets



(56)

References Cited

U.S. PATENT DOCUMENTS

6,385,909 B1 * 5/2002 Marsh E06B 7/32
 49/168
 D468,836 S * 1/2003 McFee D25/48.3
 D502,576 S * 3/2005 Miller D30/161
 D503,617 S * 4/2005 Roth D9/451
 D507,660 S * 7/2005 Reid D25/48.3
 D515,352 S * 2/2006 Roth D7/392.1
 7,207,141 B2 * 4/2007 Sullivan E06B 7/32
 119/481
 D617,505 S * 6/2010 Platt D30/108
 D618,859 S * 6/2010 Hudson D30/108
 8,302,348 B2 * 11/2012 Noyes E05F 15/649
 119/484
 8,484,896 B1 * 7/2013 Skubiak, Jr. E06B 9/52
 160/180
 8,826,594 B2 * 9/2014 Graves E05B 47/0012
 49/169
 D769,544 S * 10/2016 Niedwick D30/112
 D773,932 S * 12/2016 Katopis D9/451
 D838,057 S * 1/2019 Niedwick D30/119
 D844,843 S * 4/2019 Ruggiero D25/48.3
 D849,269 S * 5/2019 Yi D25/48.3
 2005/0039694 A1 * 2/2005 Johnson E06B 7/32
 119/501
 2006/0252366 A1 * 11/2006 Eu A01K 1/0017
 455/3.06

2014/0033639 A1 * 2/2014 Walther E06B 1/52
 52/745.16
 2017/0188542 A1 * 7/2017 Dix A01K 1/035
 2020/0040650 A1 * 2/2020 Harrington E06B 7/32

FOREIGN PATENT DOCUMENTS

GB 6013921 * 6/2017
 JP D1501478 * 6/2014

OTHER PUBLICATIONS

The Purrfect Portal, published Feb. 1, 2017 [online], [retrieved May 24, 2018], Available from Internet, URL: <<https://www.amazon.ca/Purrfect-Portal-Perfect-Interior-Litterbox/dp/B01LWV0VEC>>.*
 Built In Cat Door for Medium & Large Cats, published Feb. 1, 2017 [online], [retrieved May 24, 2018], Available from Internet, URL: <<http://www.furryface.org/product/built-in-cat-door-for-medium-large-cats-fits-interior-hollow-core-or-solid-wood-doors-template-self-drilling-screws-instructions-included-8x6-5-inches-fr>>.*
 Purrfect Portal, published Mar. 20, 2017 [online], [retrieved May 29, 2018], Available from Internet, URL: <https://www.facebook.com/PurrfectPortal/?hc_ref=ARR_f5qavhqNbZVreCCTNdCCY5tNkwSrMx4_dgHTxuKIYUNb9JWbVbdbXJxt3vF7AYw>.*

* cited by examiner

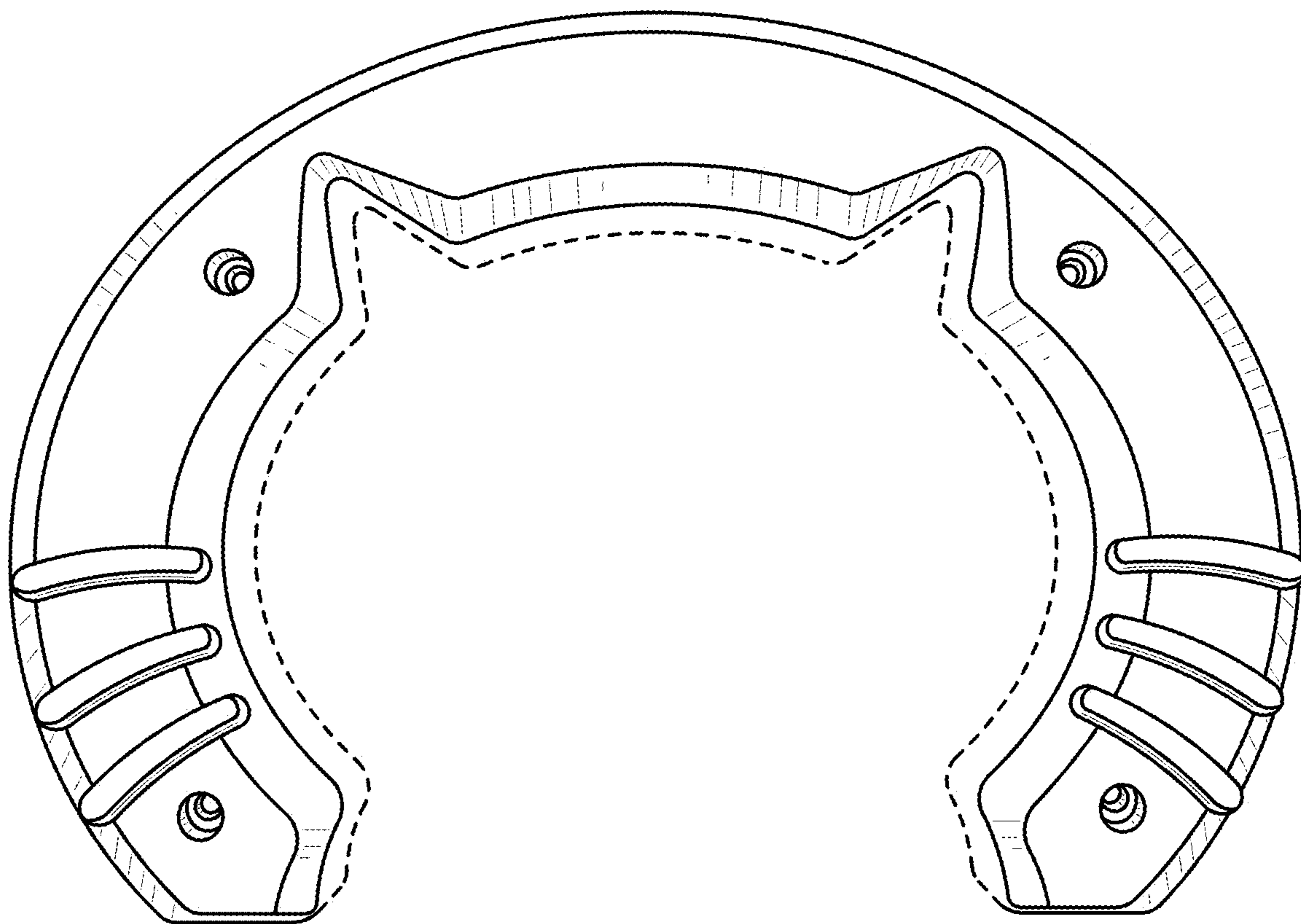


FIG. 1

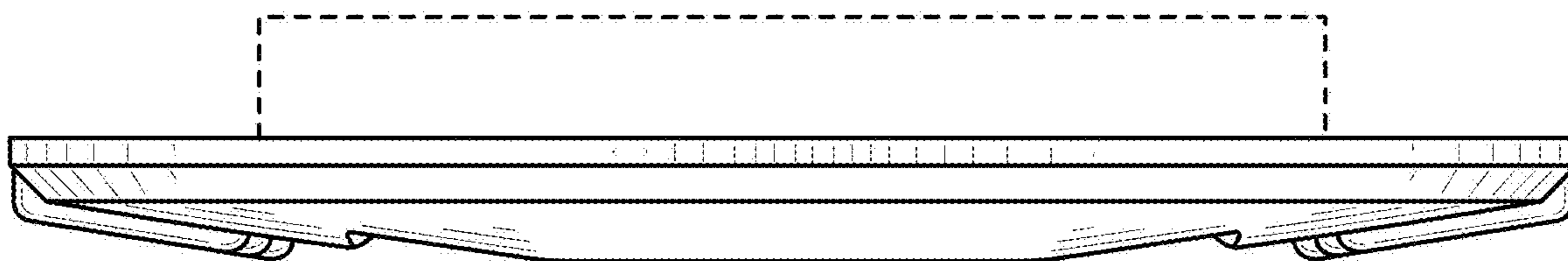


FIG. 2

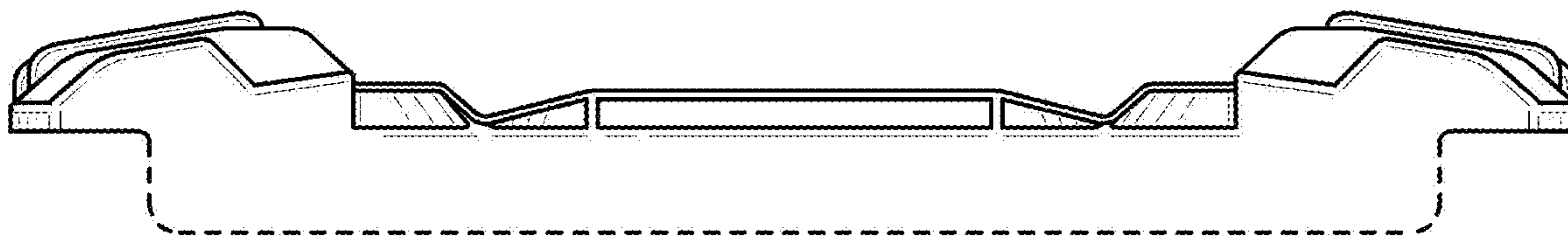


FIG. 3

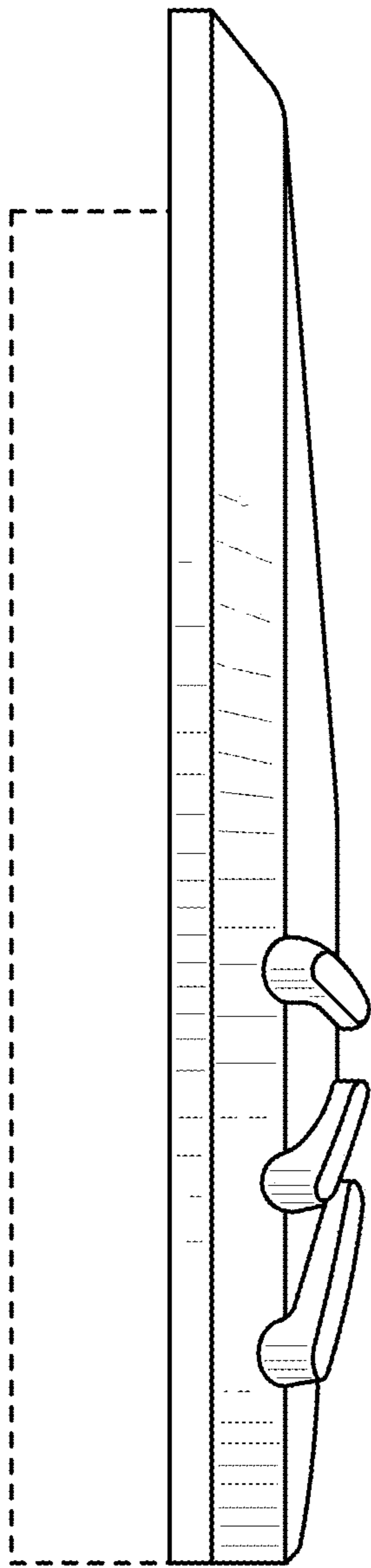


FIG. 4

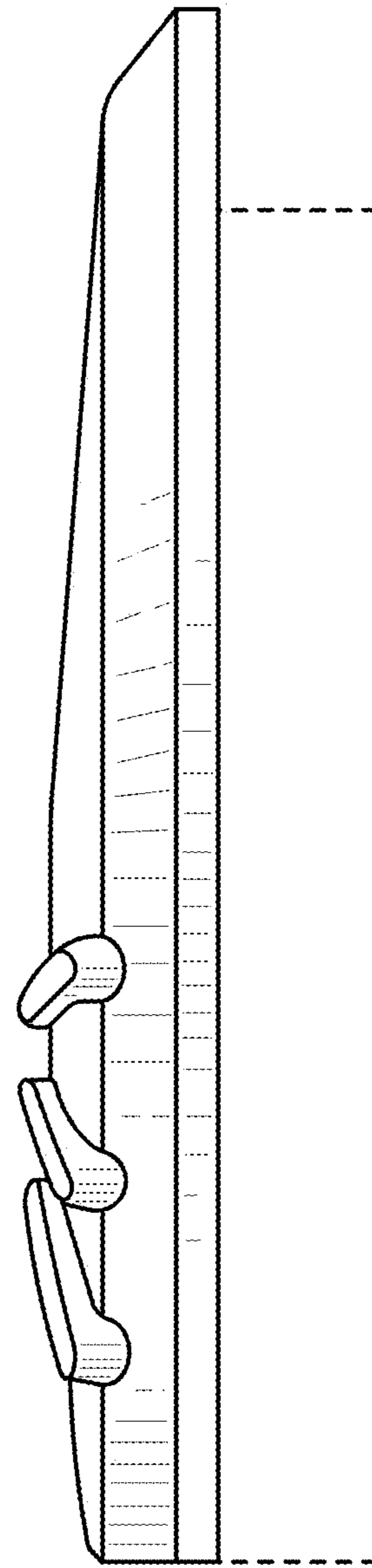


FIG. 5

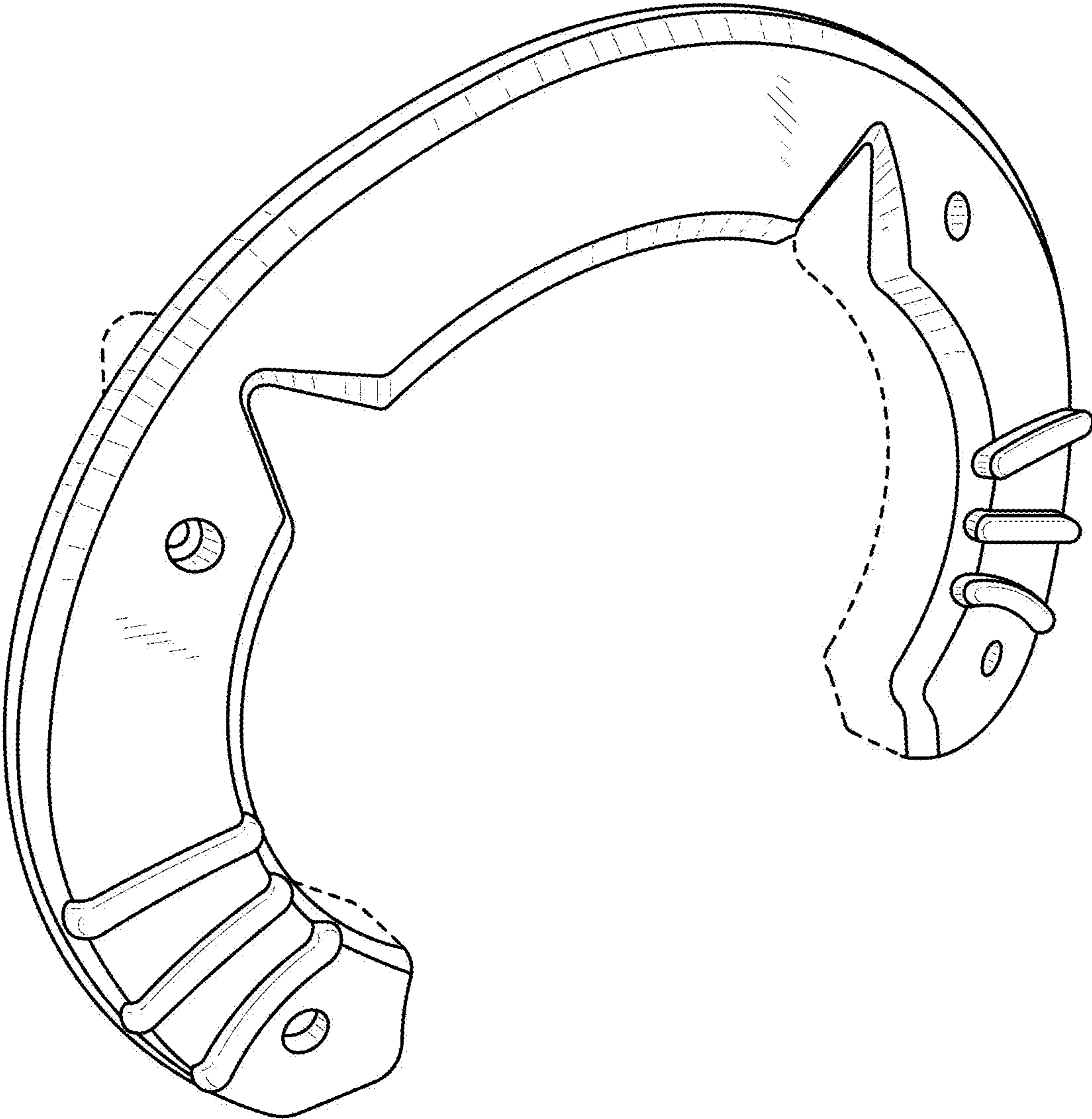


FIG. 6