



US00D901719S

(12) **United States Design Patent** (10) **Patent No.:** **US D901,719 S**  
**Greene** (45) **Date of Patent:** **\*\* Nov. 10, 2020**

(54) **DOOR SEAL ASSEMBLY**  
(71) Applicant: **Jacobs & Thompson Inc.**, Toronto (CA)  
(72) Inventor: **Robert Greene**, Barrie (CA)  
(73) Assignee: **Jacobs & Thompson Inc.**, Toronto (CA)  
(\*\*) Term: **15 Years**  
(21) Appl. No.: **29/671,951**  
(22) Filed: **Nov. 30, 2018**

5,214,880 A \* 6/1993 Woodruff ..... E06B 3/88  
49/470  
5,943,825 A \* 8/1999 Procton ..... E06B 1/70  
49/469  
6,478,308 B1 \* 11/2002 McMillin ..... B60J 10/235  
277/630

(Continued)

**OTHER PUBLICATIONS**

[https://hw.menardc.com/main/items/media/WJDEN001/Prod\\_Tech\\_Spec/WVJDBrochure4\\_2015.pdf](https://hw.menardc.com/main/items/media/WJDEN001/Prod_Tech_Spec/WVJDBrochure4_2015.pdf) last modified Dec. 3, 2015 (Year: 2015).

(Continued)

*Primary Examiner* — Leanne Was-Englehart  
(74) *Attorney, Agent, or Firm* — Millman IP Inc.

**Related U.S. Application Data**

(62) Division of application No. 29/596,458, filed on Mar. 8, 2017, now Pat. No. Des. 837,405.  
(51) **LOC (12) Cl.** ..... **25-01**  
(52) **U.S. Cl.**  
USPC ..... **D25/48.2**  
(58) **Field of Classification Search**  
USPC ..... D25/48.2, 119, 122, 123, 124, 125  
CPC ..... E06B 7/18; E06B 7/22; E06B 7/26; E06B 7/231; E06B 7/2305; E06B 7/2309; E06B 7/2312; E06B 7/2314; E06B 7/2316; E06B 3/28; E06B 1/70; A62C 3/14; B60J 10/16; B60J 10/86; B60J 10/235  
See application file for complete search history.

(57) **CLAIM**

The design for a door seal assembly, as shown and described.

**DESCRIPTION**

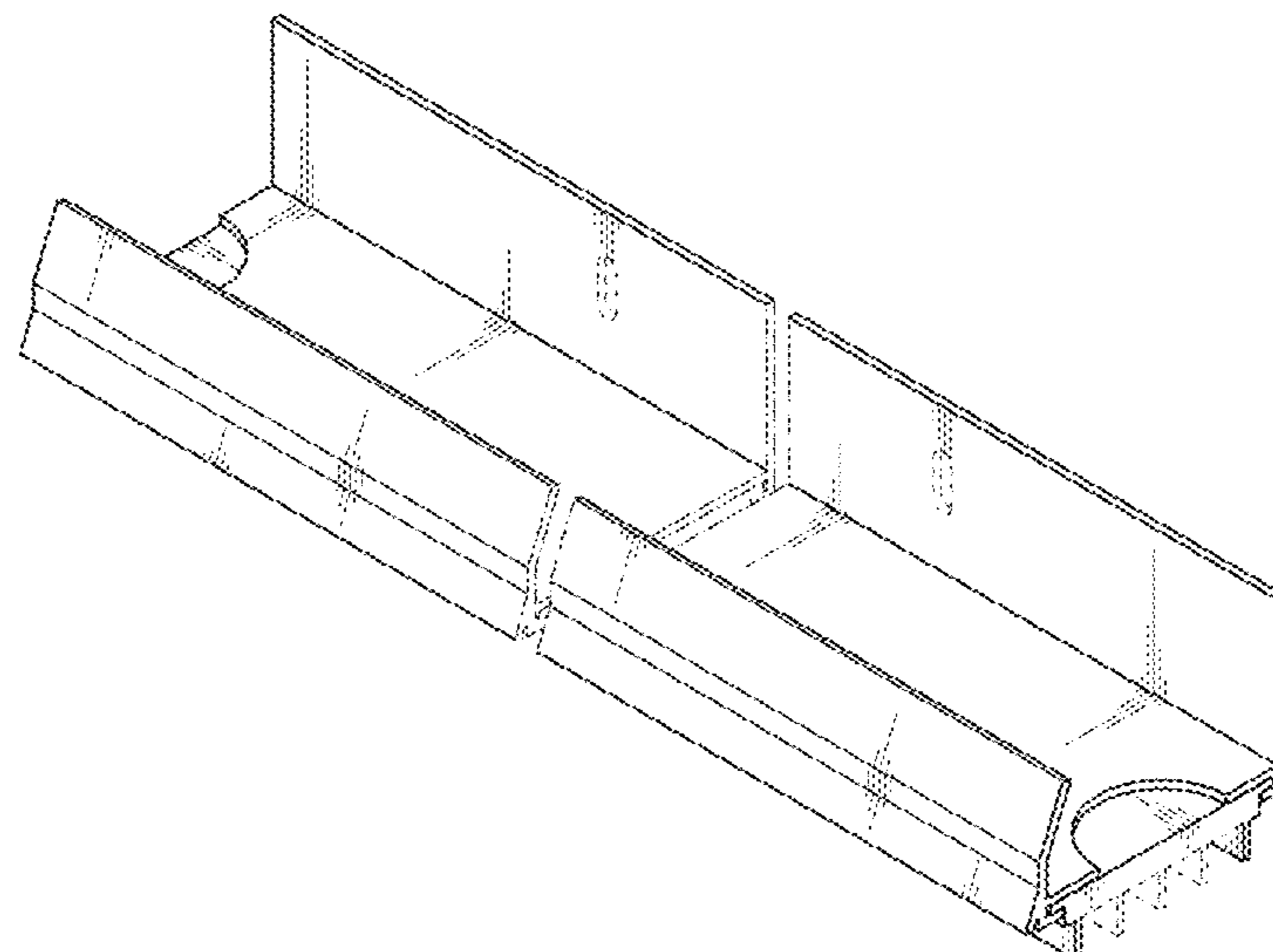
FIG. 1 is a perspective view from above, to the front and to one side of a door seal assembly including a mounting bracket with an insert installed in the mounting bracket; FIG. 2 is a perspective view from above, to the front and to one side thereof showing the insert removed from the mounting bracket; FIG. 3 is a front view thereof; FIG. 4 is a top view thereof; FIG. 5 is a left side view thereof; FIG. 6 is a bottom view thereof; and, FIG. 7 is a right side view thereof. In the drawings, the broken dash-dash-dash lines depict environmental subject matter only and form no part of the claimed design, and the broken dot-dash-dot lines depict the bounds of the Claim. The drawings contain a symbolic break. The area between the break lines forms no part of the claimed design.

(56) **References Cited**

**U.S. PATENT DOCUMENTS**

4,104,830 A \* 8/1978 Eagle ..... E06B 1/70  
49/468  
4,399,640 A \* 8/1983 Porter ..... E06B 3/28  
160/368.1  
4,447,989 A \* 5/1984 Mailand ..... E06B 7/2316  
49/482.1  
5,007,203 A 4/1991 Katrynuik  
5,056,263 A \* 10/1991 Bies ..... E06B 7/2312  
49/470

**1 Claim, 4 Drawing Sheets**



(56)

**References Cited**

U.S. PATENT DOCUMENTS

D554,774 S \* 11/2007 Antonic ..... D25/119  
8,707,903 B2 \* 4/2014 Silvis ..... A01K 1/0005  
119/416  
8,726,575 B1 \* 5/2014 Vulpitta ..... E06B 7/22  
49/470  
8,984,813 B2 3/2015 Vulpitta et al.  
D775,366 S \* 12/2016 Mitchell ..... D25/48.2  
D775,368 S \* 12/2016 Jaskiewicz ..... D25/48.2  
D794,215 S \* 8/2017 Reutlinger ..... D25/48.3  
D837,405 S \* 1/2019 Greene ..... D25/48.2  
2005/0086868 A1 \* 4/2005 Santelli, Jr. .... E06B 7/2305  
49/499.1  
2007/0261312 A1 \* 11/2007 Kuppler ..... A62C 3/14  
49/470  
2012/0079771 A1 \* 4/2012 Meulemans ..... E06B 7/2305  
49/484.1  
2016/0340968 A1 \* 11/2016 Mitchell ..... E06B 7/18

OTHER PUBLICATIONS

<https://www.homedepot.com/b/Hardware-Weather-Stripping-Door-Bottoms/M-D-Building-Products/N-5yc1vZc3e0Za0j> Retrieved Mar. 23, 2018 (Year: 2018).

\* cited by examiner

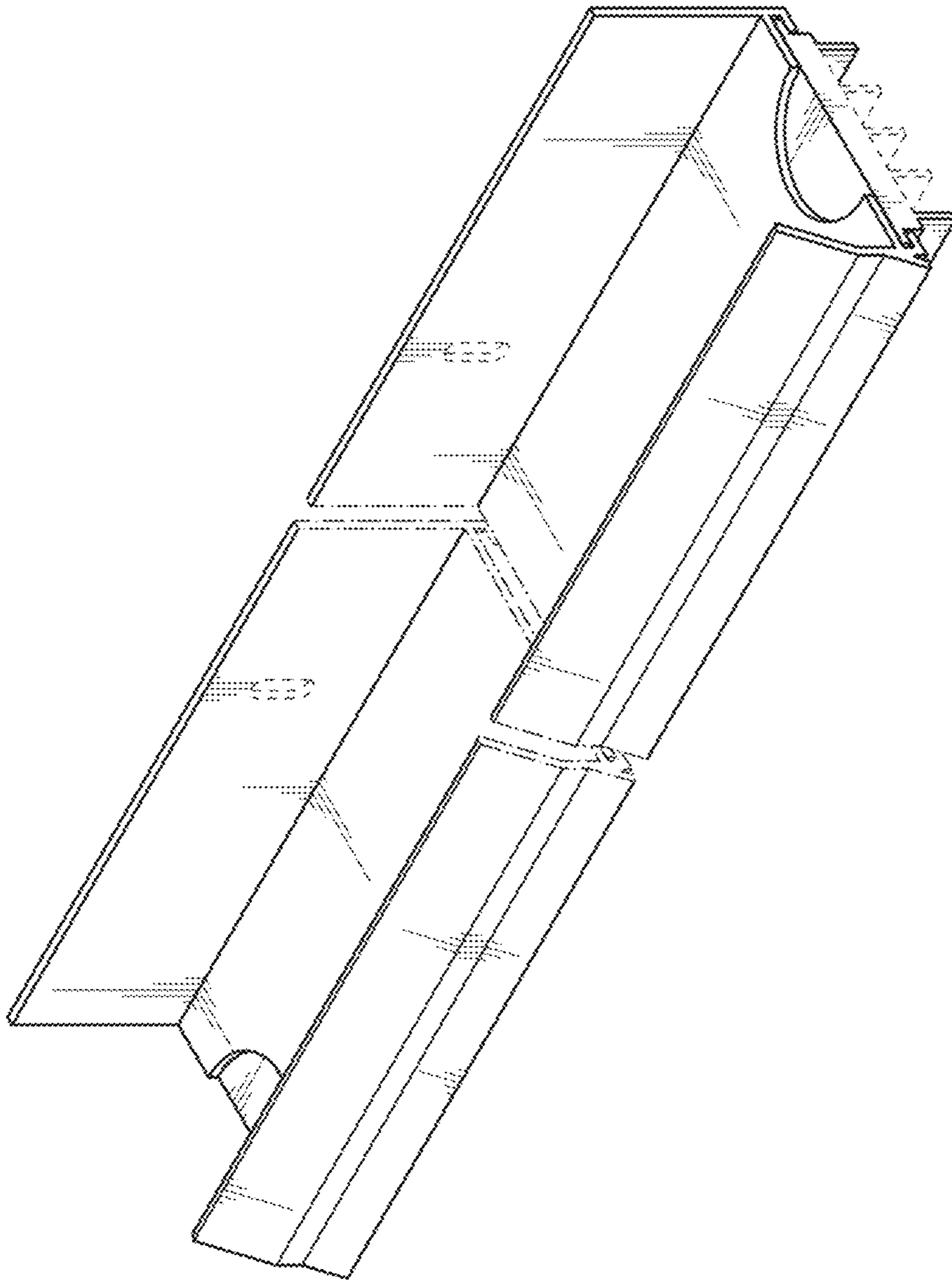


FIG. 1

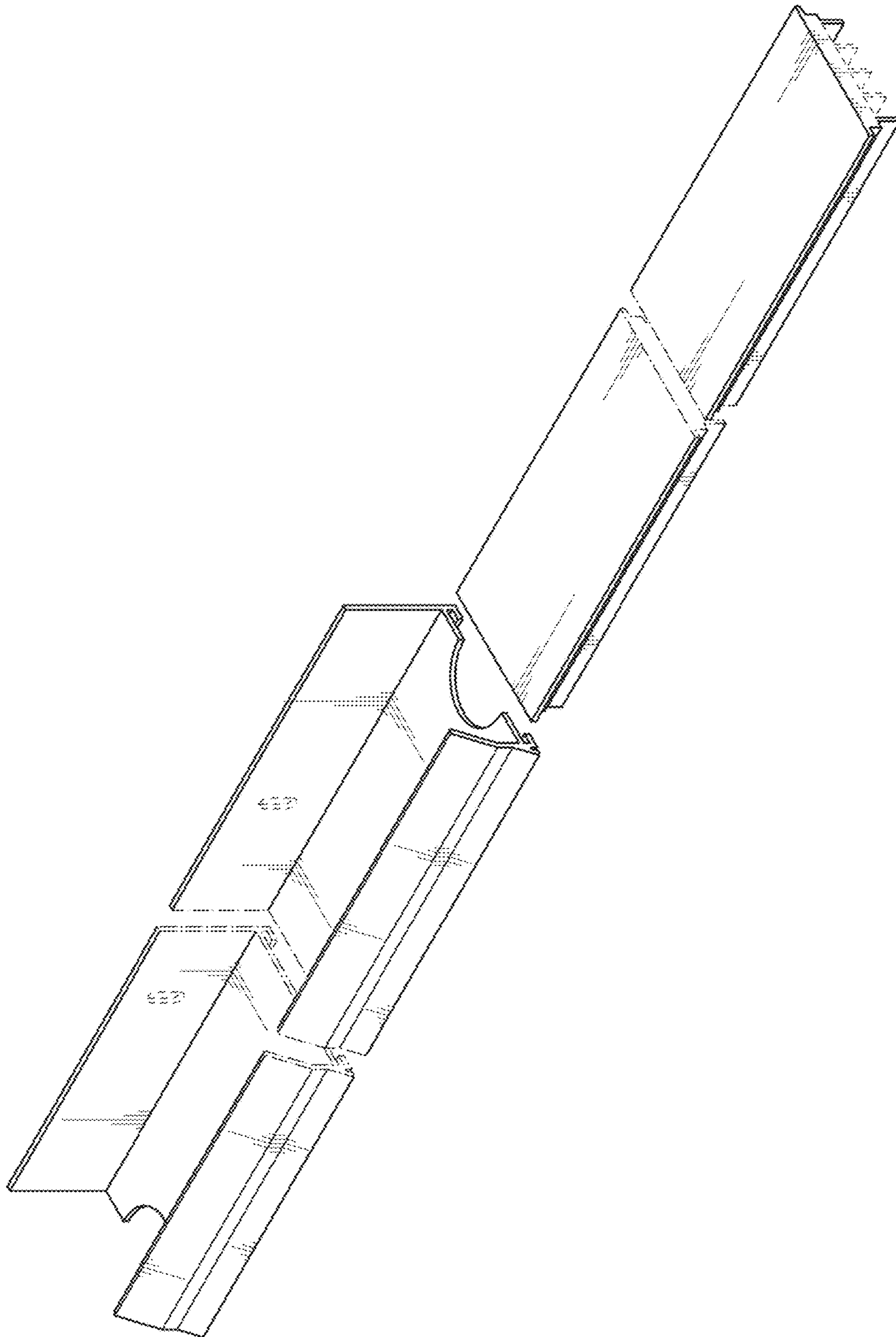


FIG. 2

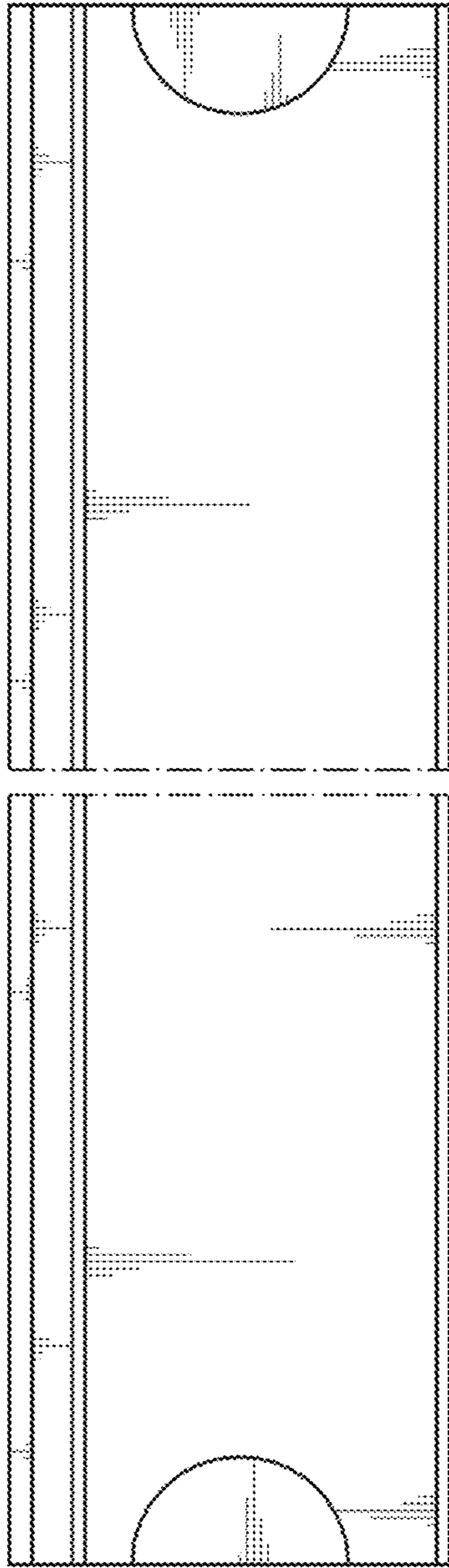


FIG. 4

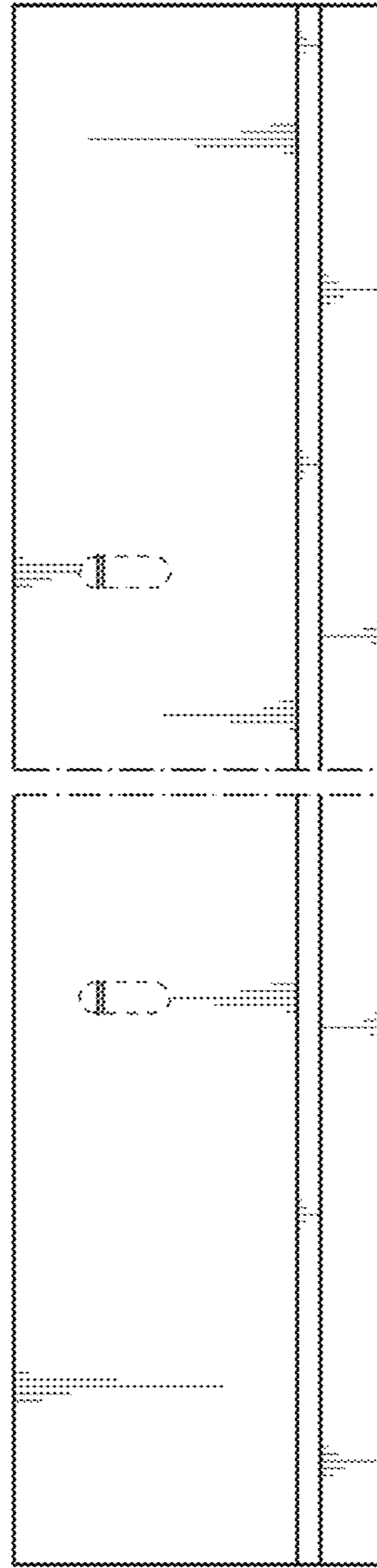


FIG. 5

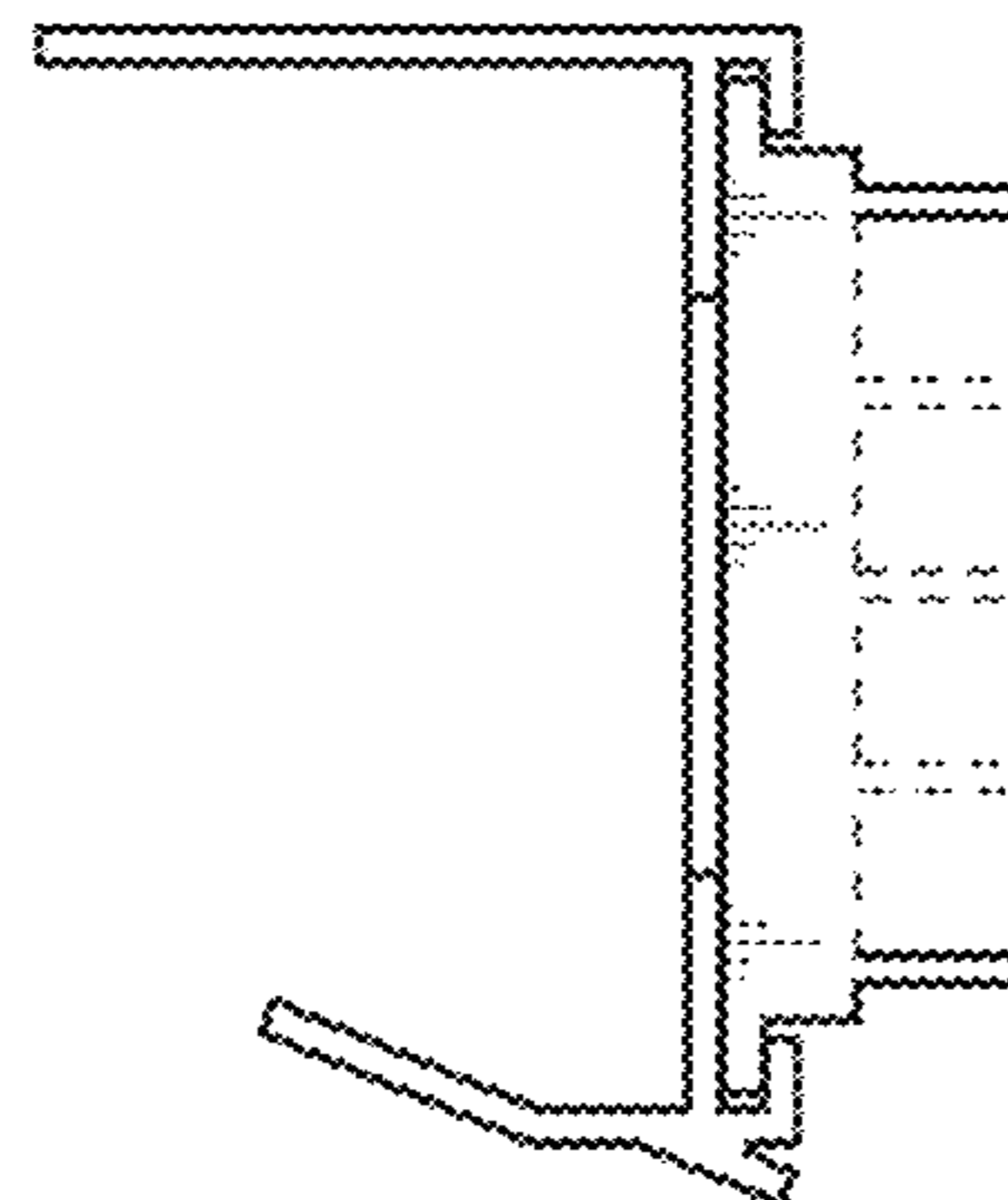


FIG. 3

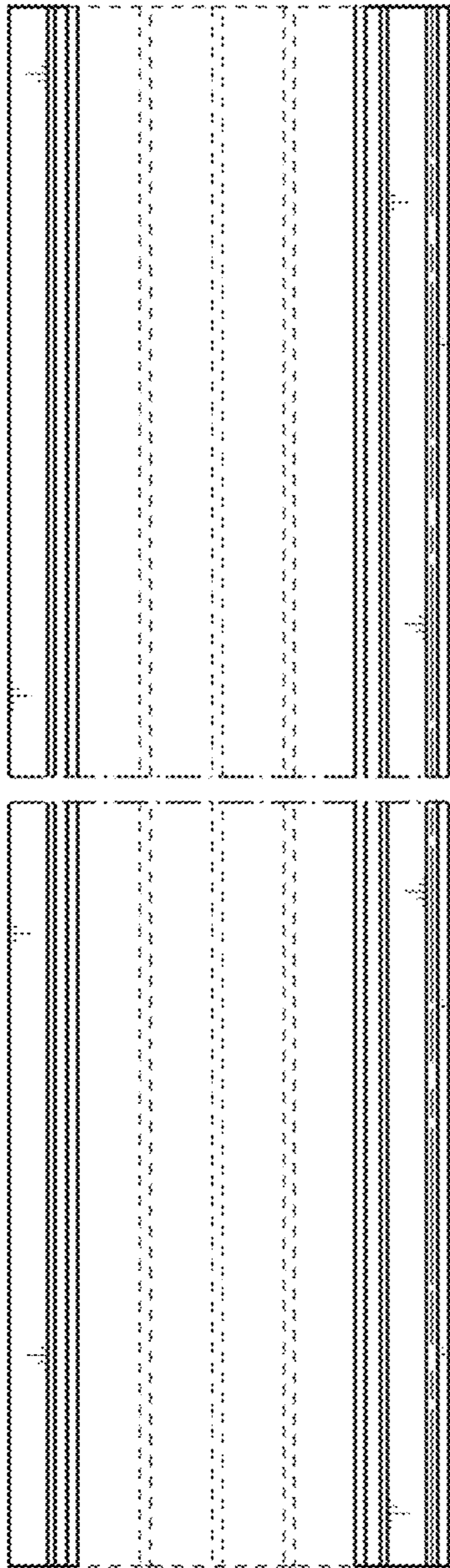


FIG. 6

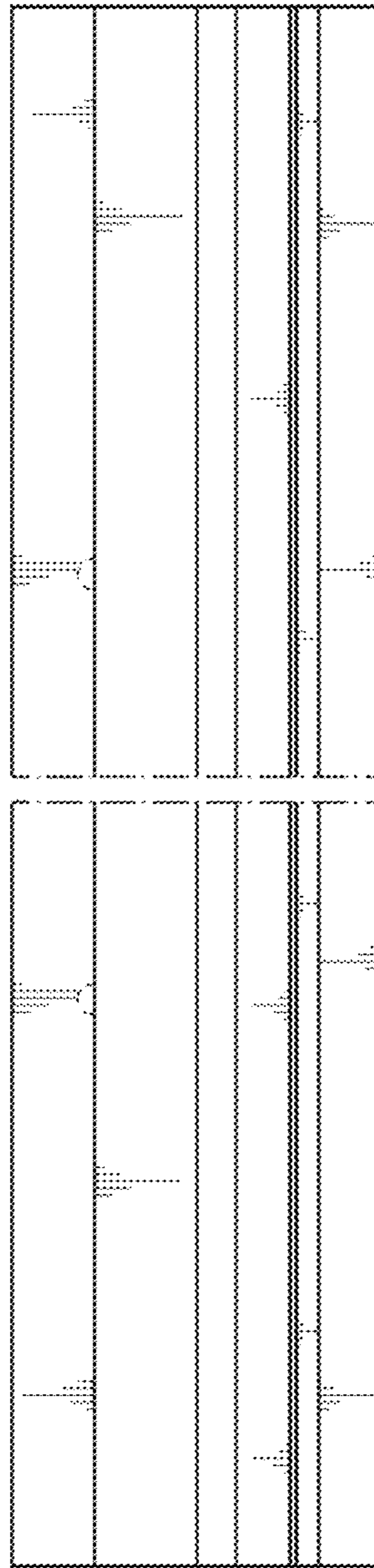


FIG. 7