



US00D901718S

(12) **United States Design Patent**
Schoonover et al.

(10) **Patent No.:** **US D901,718 S**

(45) **Date of Patent:** **** Nov. 10, 2020**

(54) **RETENTION CONNECTION EXTRUSION
FOR A PINCH SENSOR**

4,533,278 A * 8/1985 Corsover E01C 11/10
404/65
D309,351 S * 7/1990 Patsy, Jr. D25/119
D324,329 S * 3/1992 Kleiss D25/131

(71) Applicant: **Vintech Industries, Inc.**, Imlay City,
MI (US)

(Continued)

(72) Inventors: **James Schoonover**, Shelby Township,
MI (US); **Robert Rutoski**, Imlay City,
MI (US)

Primary Examiner — Susan E Krakower

Assistant Examiner — Jerry Shiu-an-Hua Hsu

(74) *Attorney, Agent, or Firm* — Warn Partners, P.C.

(73) Assignee: **Vintech Industries, Inc.**, Imlay City,
MI (US)

(57) **CLAIM**

The ornamental design for a retention connection extrusion
for a pinch sensor, as shown and described.

(**) Term: **15 Years**

DESCRIPTION

(21) Appl. No.: **29/594,924**

FIG. 1 is a perspective view of a retention connection
extrusion for a pinch sensor, in accordance with a first
embodiment of the present invention;

(22) Filed: **Feb. 23, 2017**

FIG. 2 is a front elevation view thereof, shown in a condition
of use;

(51) **LOC (12) Cl.** **25-02**

FIG. 3 is a front elevation view thereof;

(52) **U.S. Cl.**

FIG. 4 is a right side elevation view thereof;

USPC **D25/48.2**; D25/121

FIG. 5 is a bottom plan view thereof;

(58) **Field of Classification Search**

FIG. 6 is a left side elevation view thereof;

USPC D8/354, 355, 400, 403, 376; D25/35,
D25/38.1, 41.1, 42, 43, 44, 47.1, 48.1,
D25/48.4, 58, 119–123, 125, 136, 137,
D25/164, 199, 48.2, 61, 55, 102

FIG. 7 is a top plan view thereof;

CPC E02D 29/16; E04B 1/6803; E04B 1/6813;
E04B 2/74; E01C 11/10; E01C 11/106;
B60R 13/06; E06B 3/285; E04F 13/0889

FIG. 8 is a rear elevation view thereof;

See application file for complete search history.

FIG. 9 is a perspective view of a retention connection
extrusion for a pinch sensor, in accordance with a second
embodiment of the present invention;

(56) **References Cited**

FIG. 10 is a front elevation view thereof, shown in a
condition of use;

U.S. PATENT DOCUMENTS

3,973,371 A * 8/1976 Heller E04B 2/74
52/280
D242,625 S * 12/1976 Schmidt D25/121
D246,889 S * 1/1978 Eckerline D25/121
4,189,880 A * 2/1980 Ballin E06B 3/285
160/380

FIG. 11 is a front elevation view thereof;

FIG. 12 is a right side elevation view thereof;

FIG. 13 is a bottom plan view thereof;

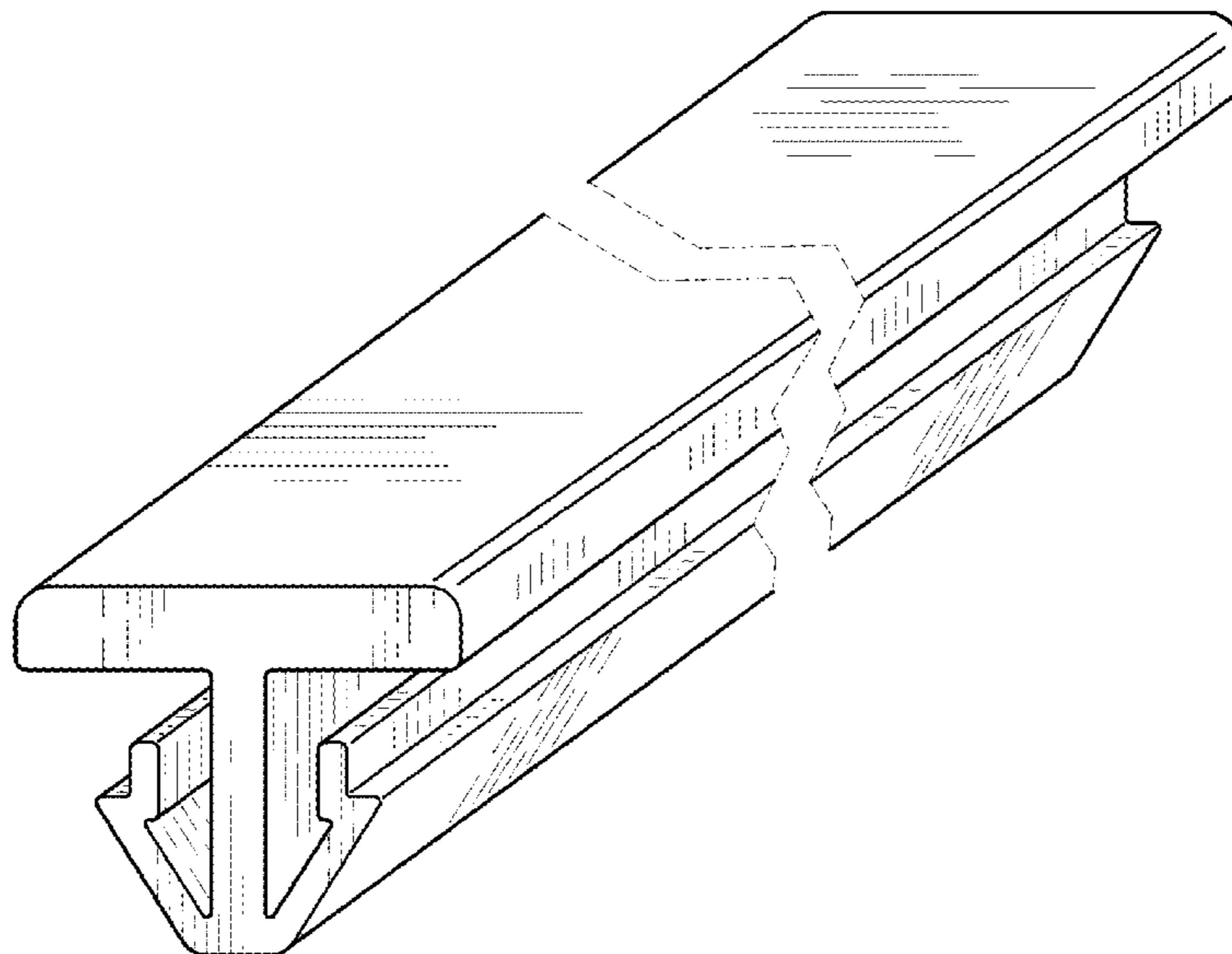
FIG. 14 is a left side elevation view thereof;

FIG. 15 is a top plan view thereof; and,

FIG. 16 is a rear elevation view thereof.

The broken lines showing symbolic breaks illustrate bound-
ary lines which form no part of the claimed design. The
broken lines in FIGS. 2 and 10 illustrate environmental
structure that forms no part of the claimed design.

1 Claim, 6 Drawing Sheets



(56)

References Cited

U.S. PATENT DOCUMENTS

5,155,952 A * 10/1992 Herwegh E04B 1/6803
52/100
5,197,250 A * 3/1993 Kramer E01C 11/10
404/65
D344,809 S * 3/1994 Bancroft D25/121
D388,183 S * 12/1997 Payton D25/121
5,888,017 A * 3/1999 Corrie E01C 11/106
404/64
D418,353 S * 1/2000 Cadorette D25/119
D499,819 S * 12/2004 Glatz D25/164
D577,445 S * 9/2008 Durrant D25/164
D621,076 S * 8/2010 Vibiano D25/164
D621,245 S * 8/2010 Heindl D8/382
D622,579 S * 8/2010 Heindl D8/382
8,132,380 B2 * 3/2012 Wilkes, Jr. E04B 1/6813
52/393
D664,669 S * 7/2012 Schoonover D25/121
D664,670 S * 7/2012 Schoonover D25/121
D696,795 S * 12/2013 Mossman D25/125
D767,980 S * 10/2016 Bilge D8/382
D791,353 S * 7/2017 Singh D25/119
D828,052 S * 9/2018 Bouroullec D6/580
D831,474 S * 10/2018 Littrell D8/382
10,132,091 B2 * 11/2018 Wilkes, Jr. E02D 29/16
D860,087 S * 9/2019 Schoonover D12/190
D872,906 S * 1/2020 Oetlinger D25/199
2006/0283117 A1 * 12/2006 Williams E04F 13/0889
52/393
2011/0080017 A1 * 4/2011 Olson B60R 13/06
296/57.1
2015/0068128 A1 * 3/2015 Baxter B60R 13/06
49/480.1

* cited by examiner

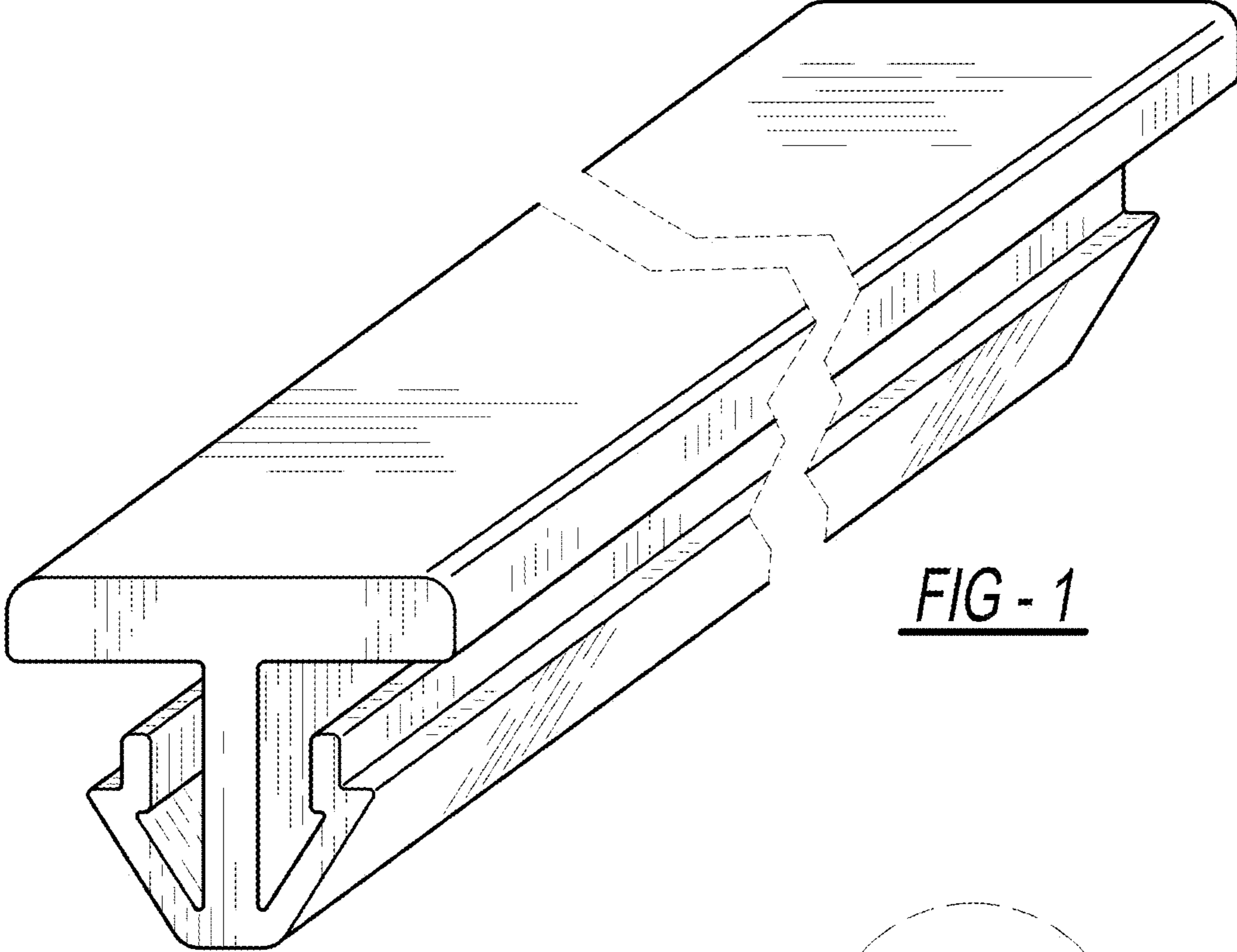


FIG - 1

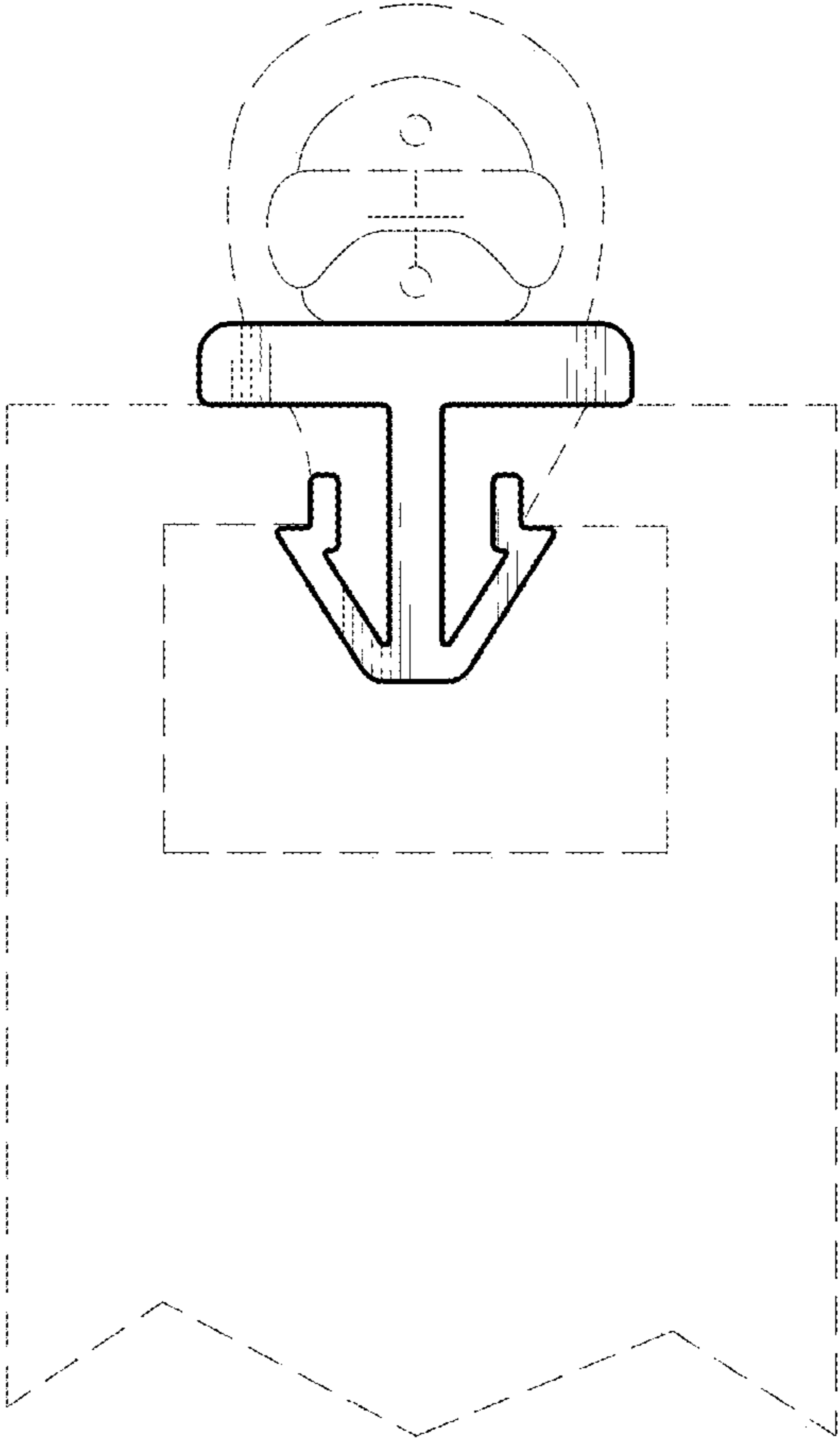


FIG - 2

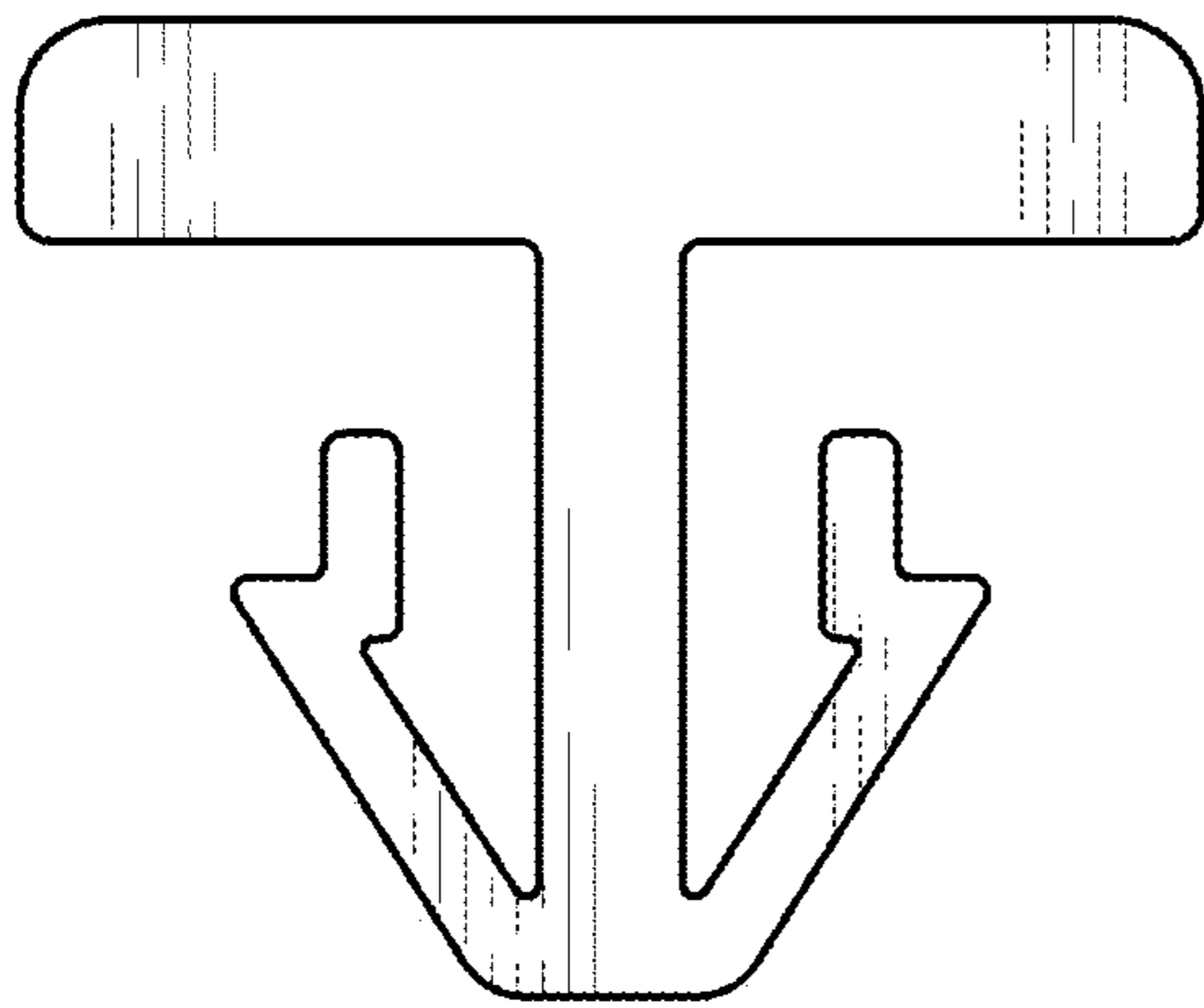


FIG - 3

FIG - 4

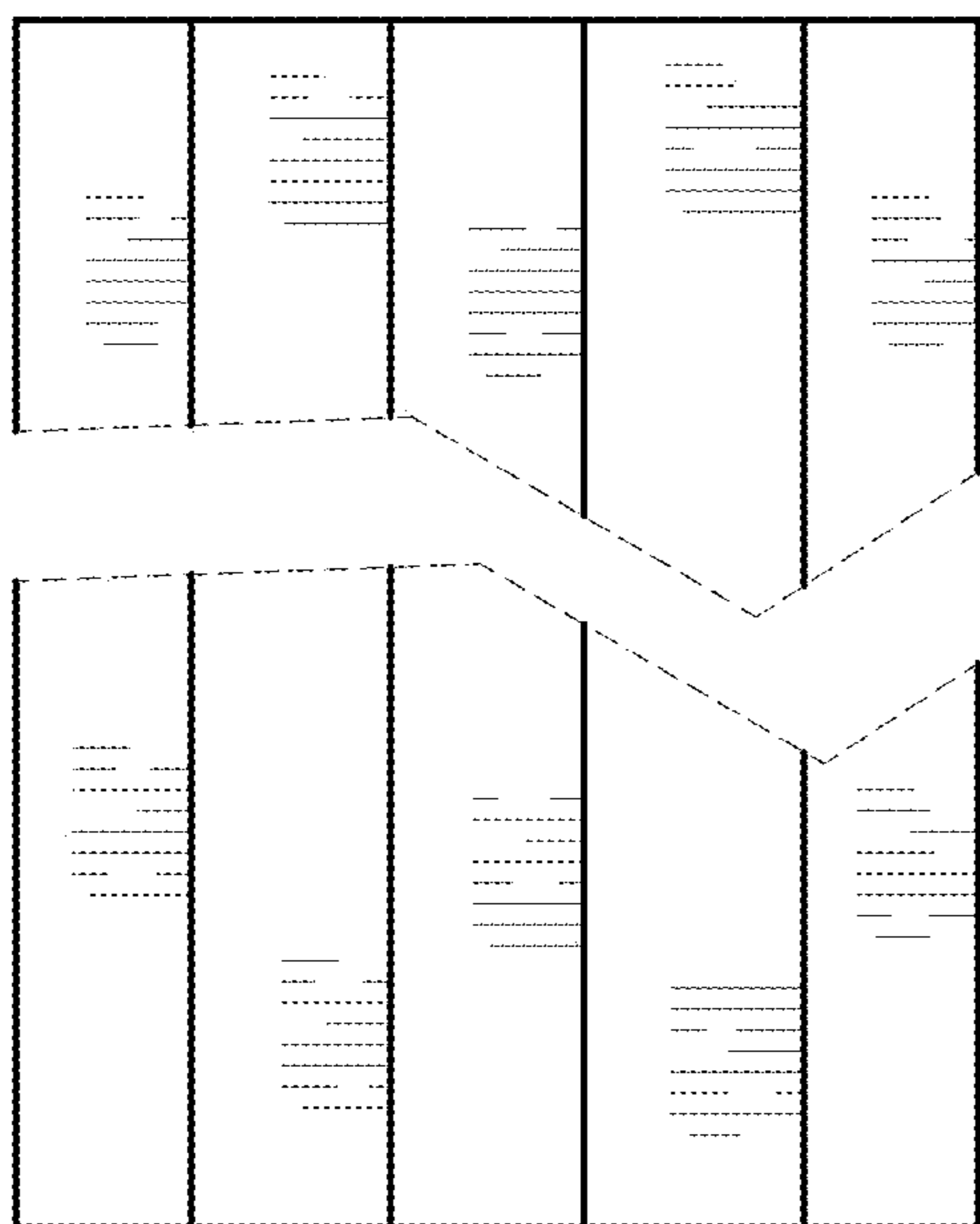
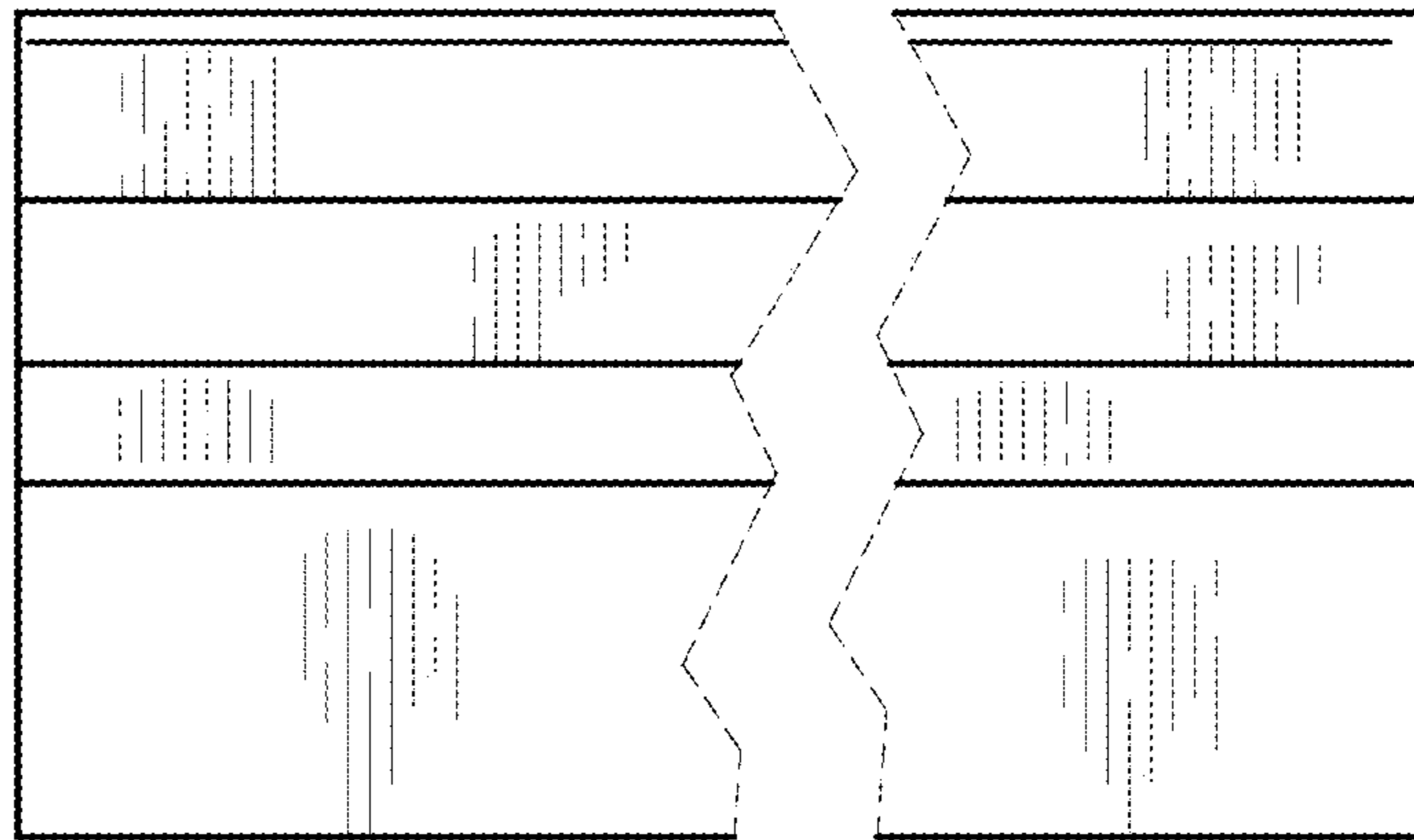


FIG - 5

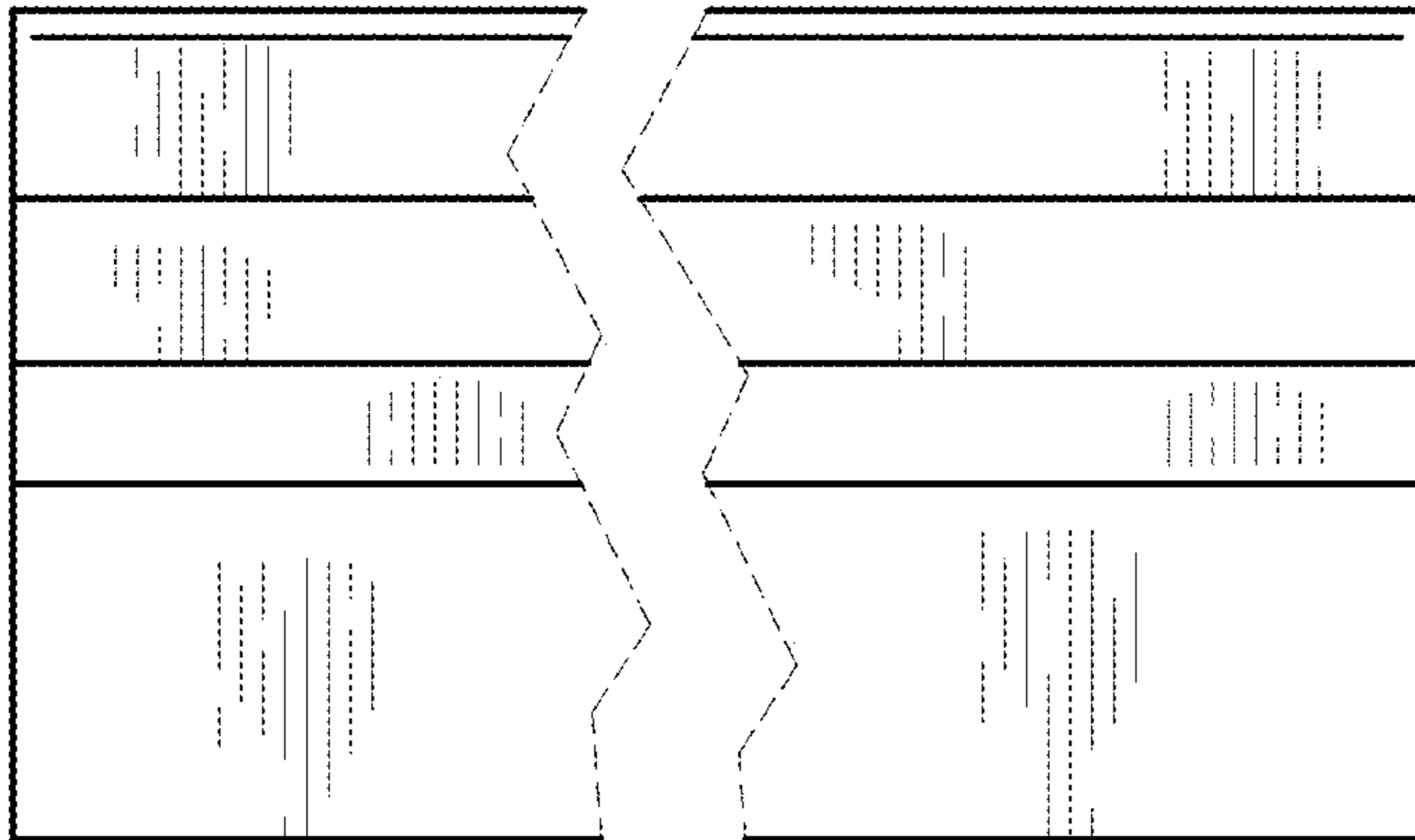


FIG - 6

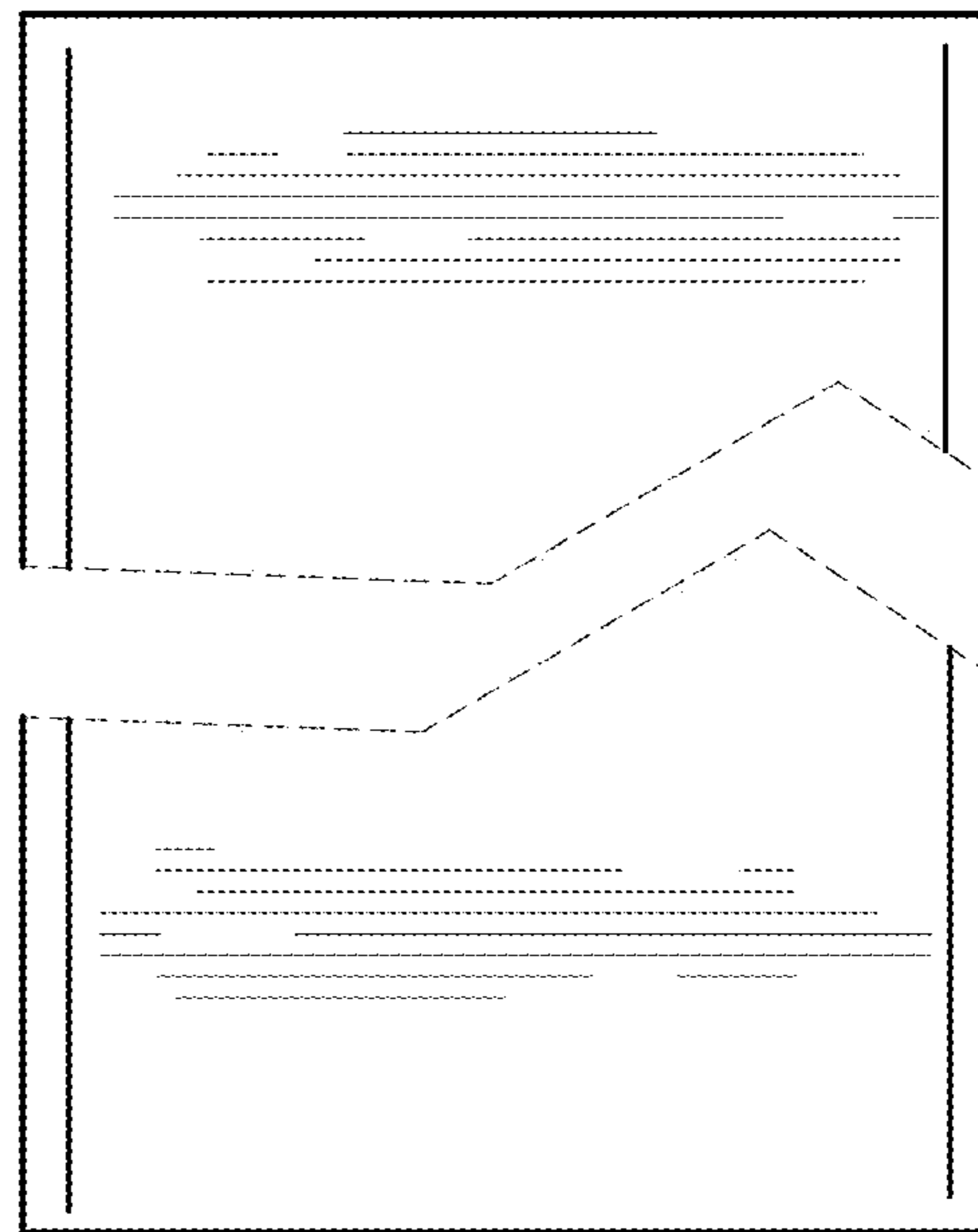


FIG - 7

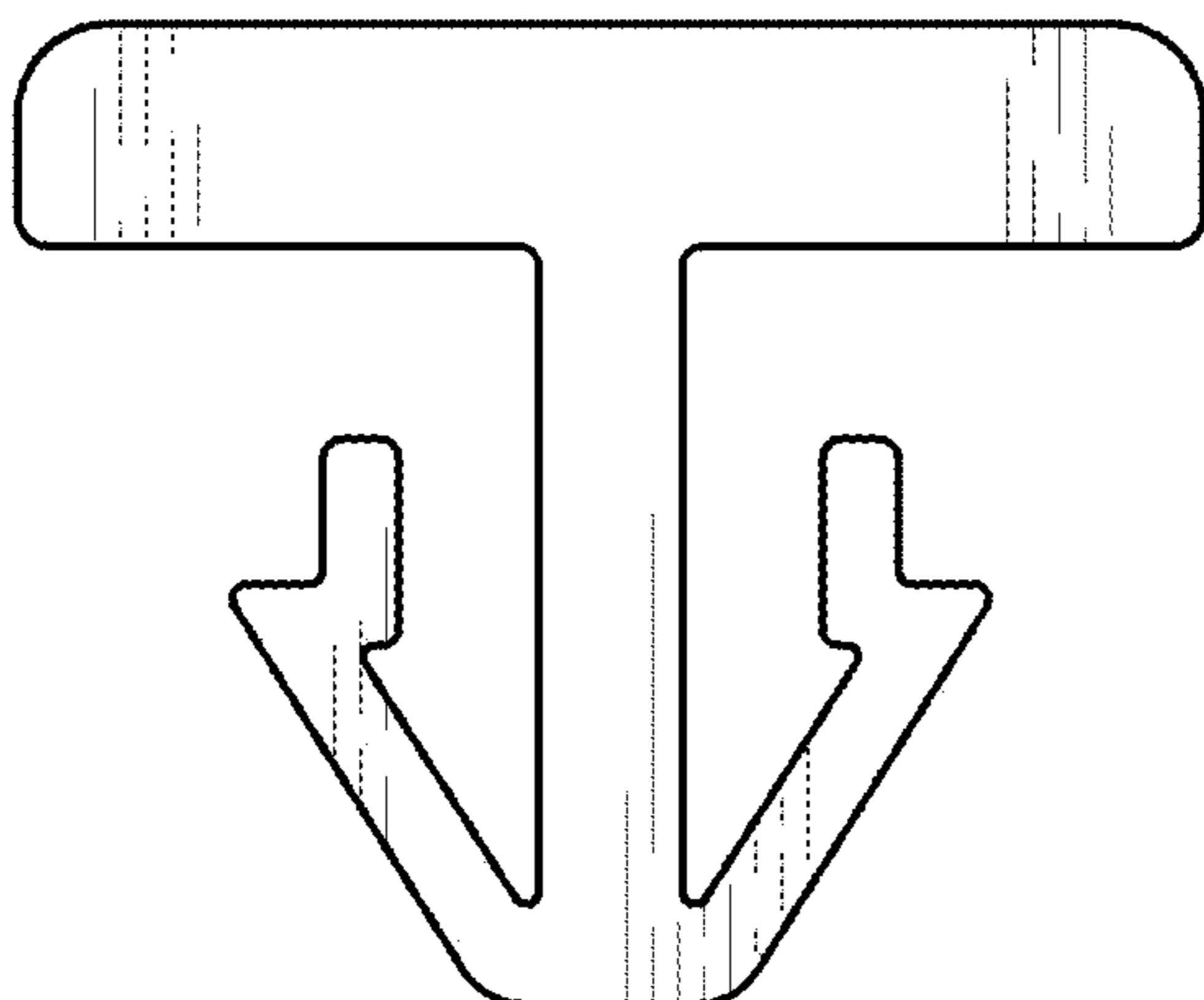


FIG - 8

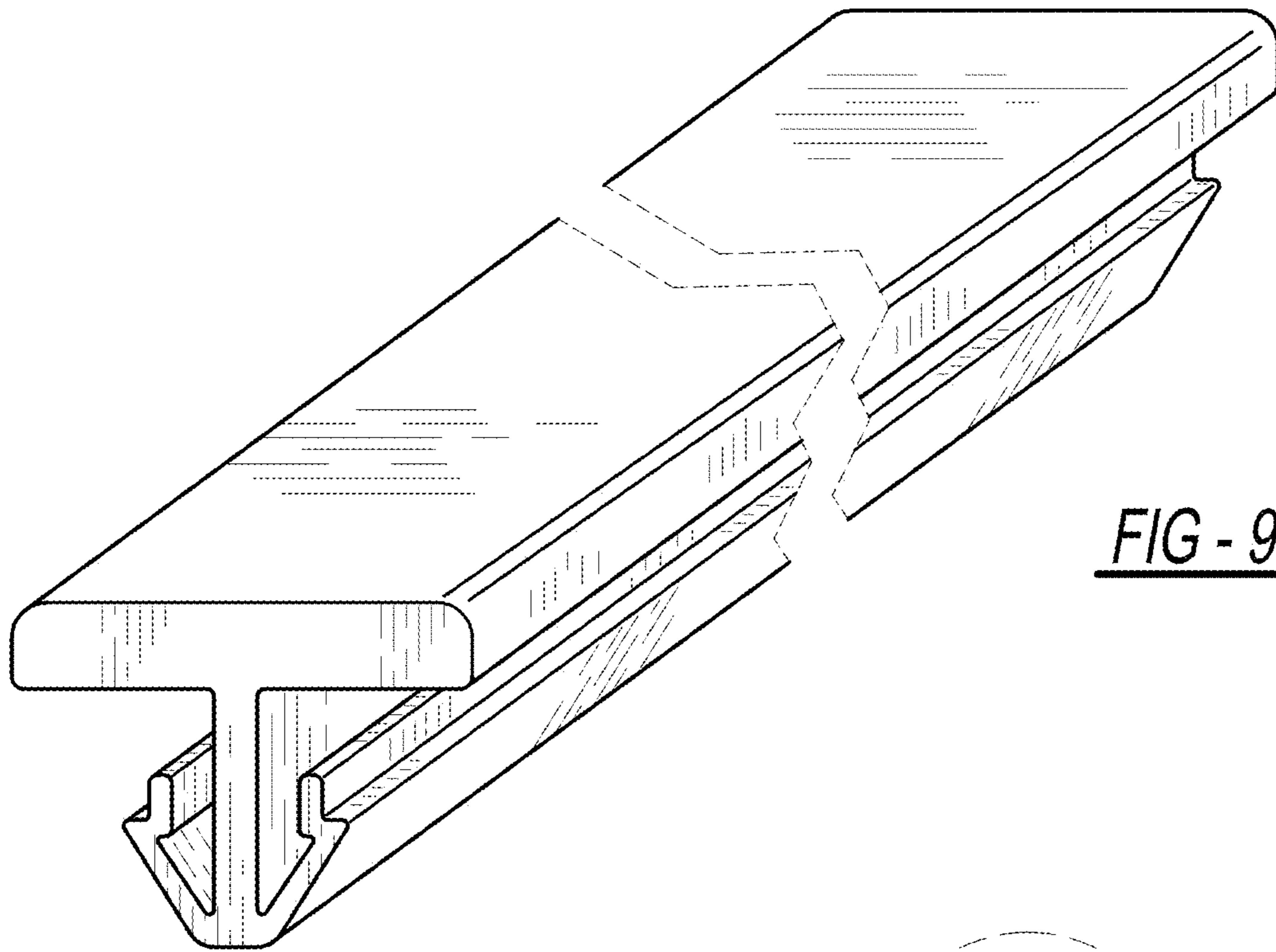


FIG - 9

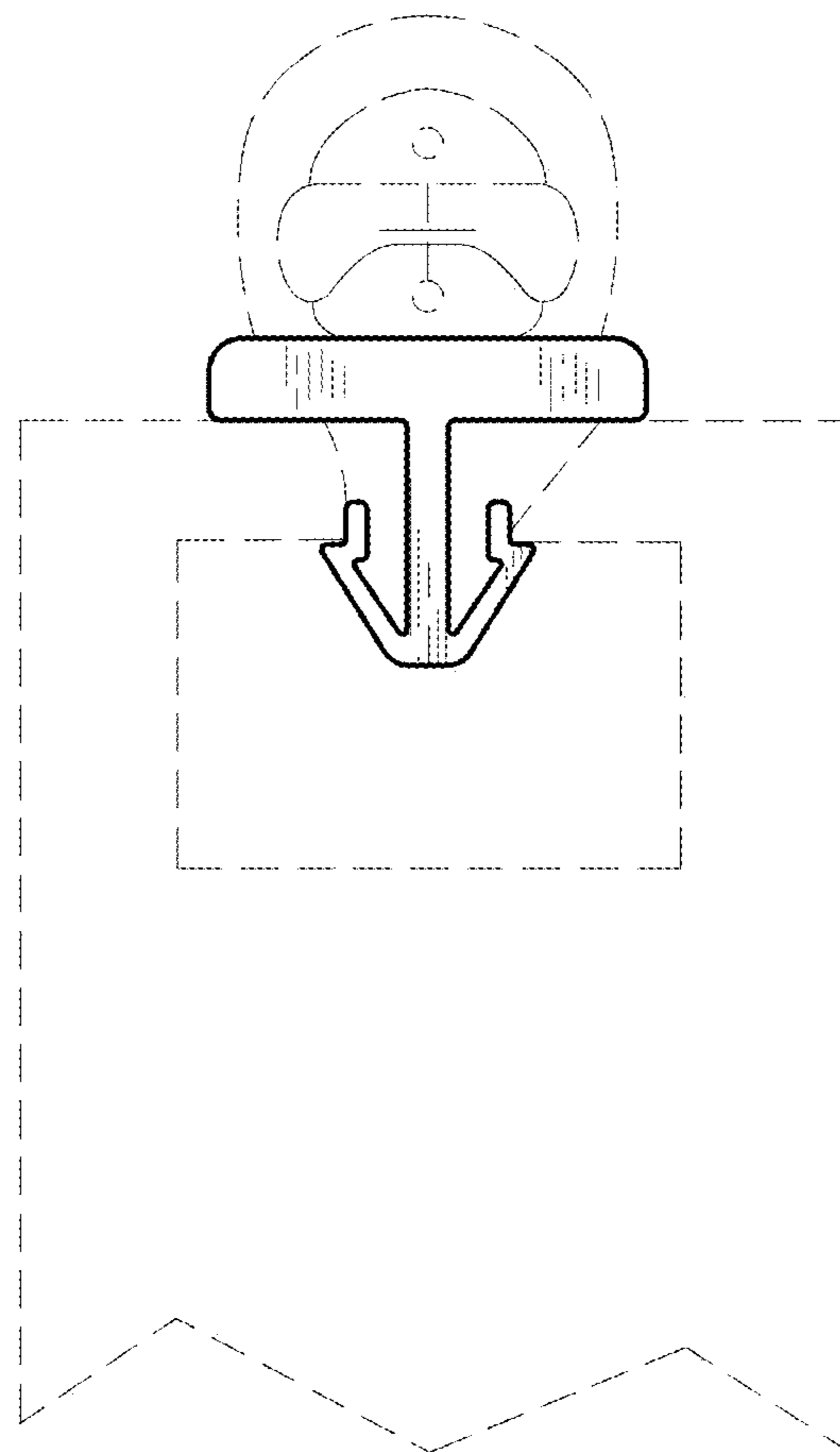


FIG - 10

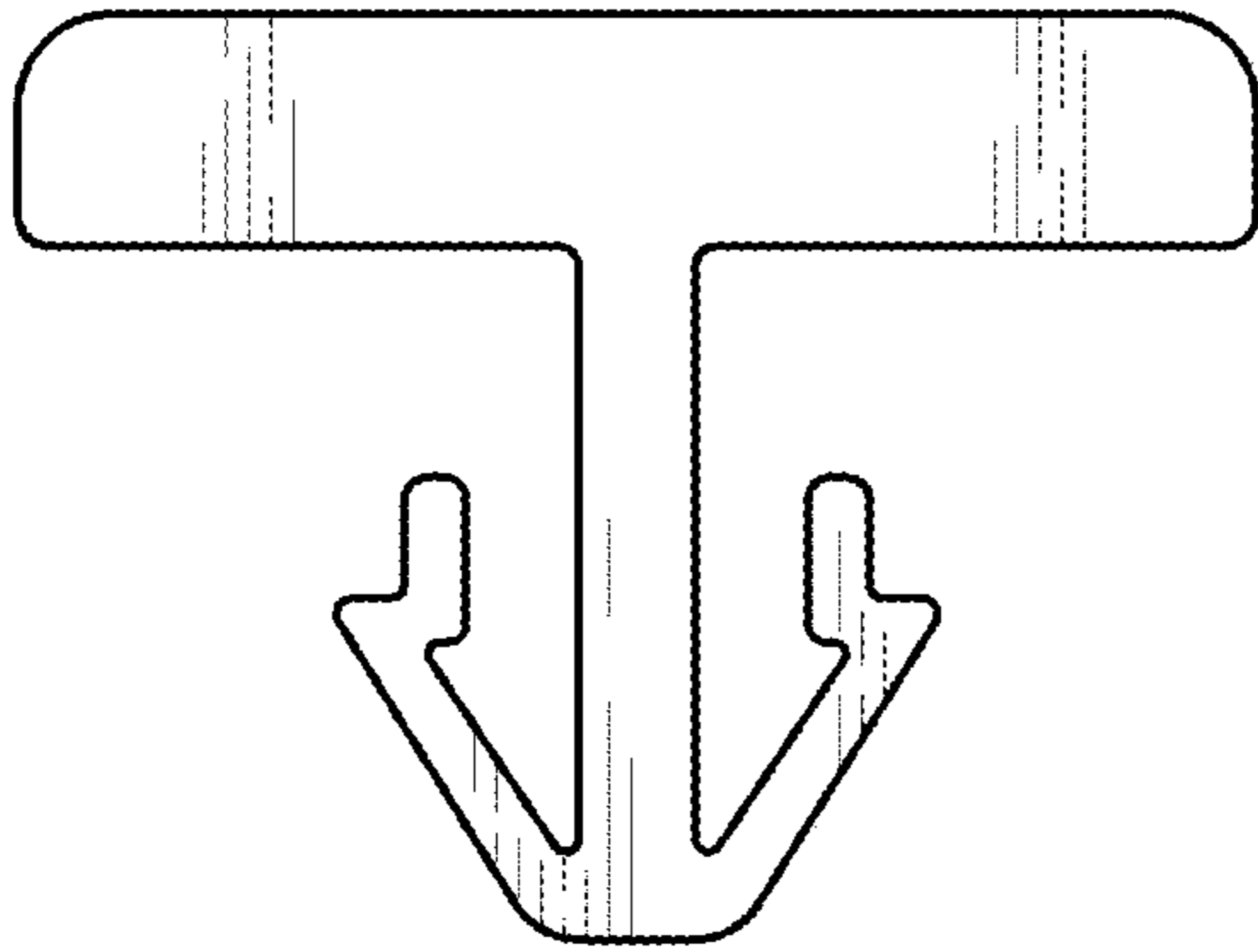


FIG - 11

FIG - 12

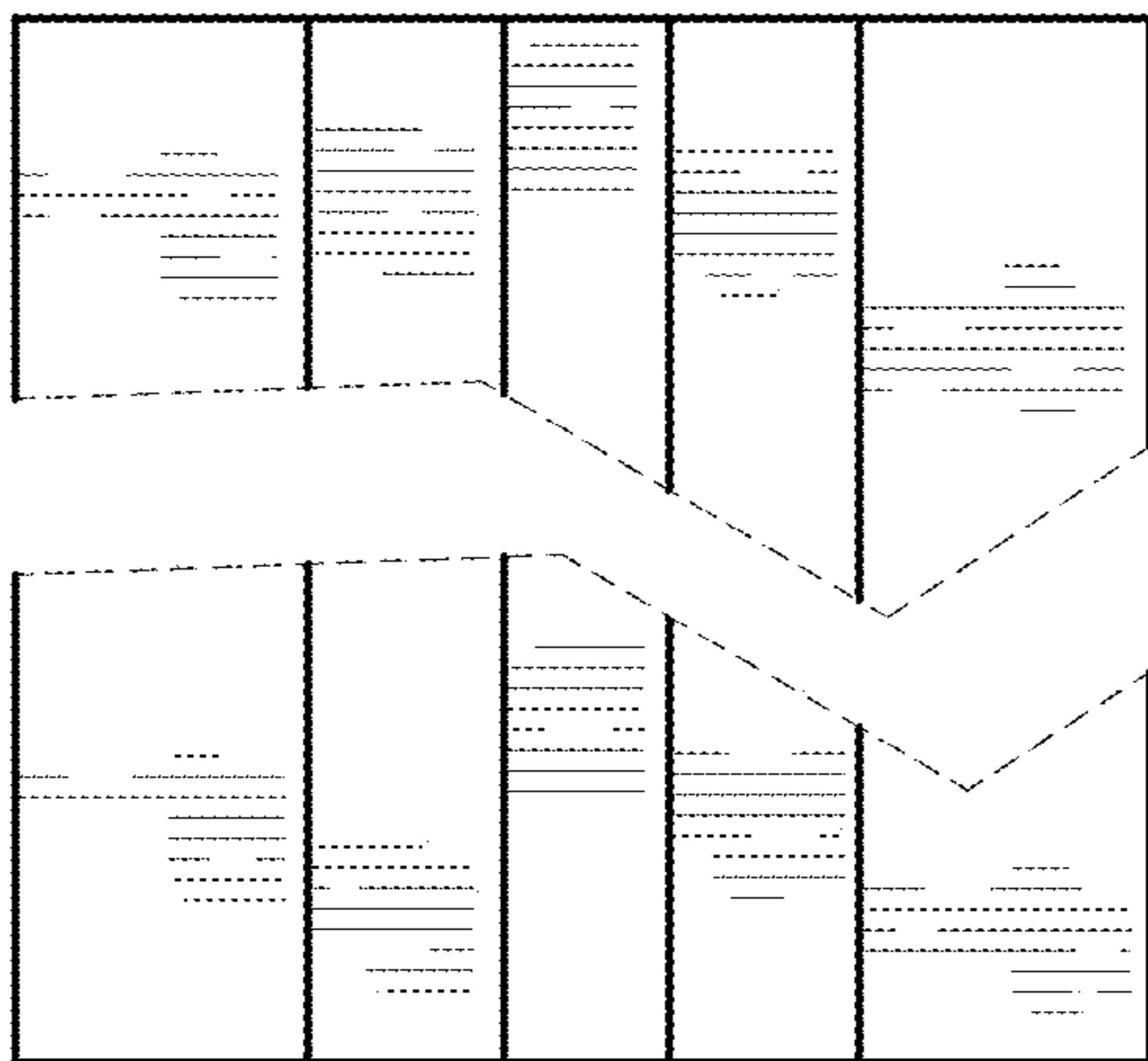
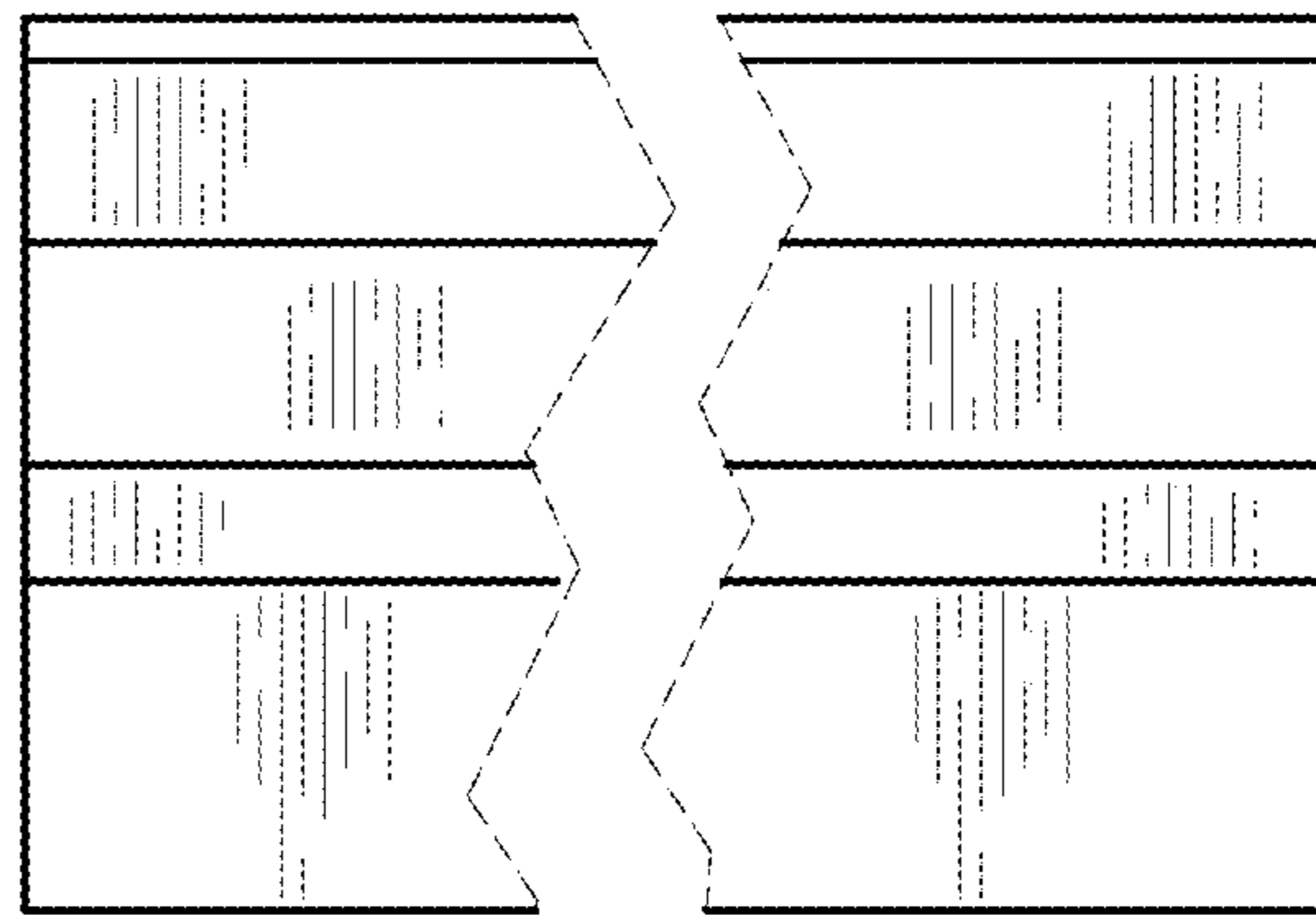


FIG - 13

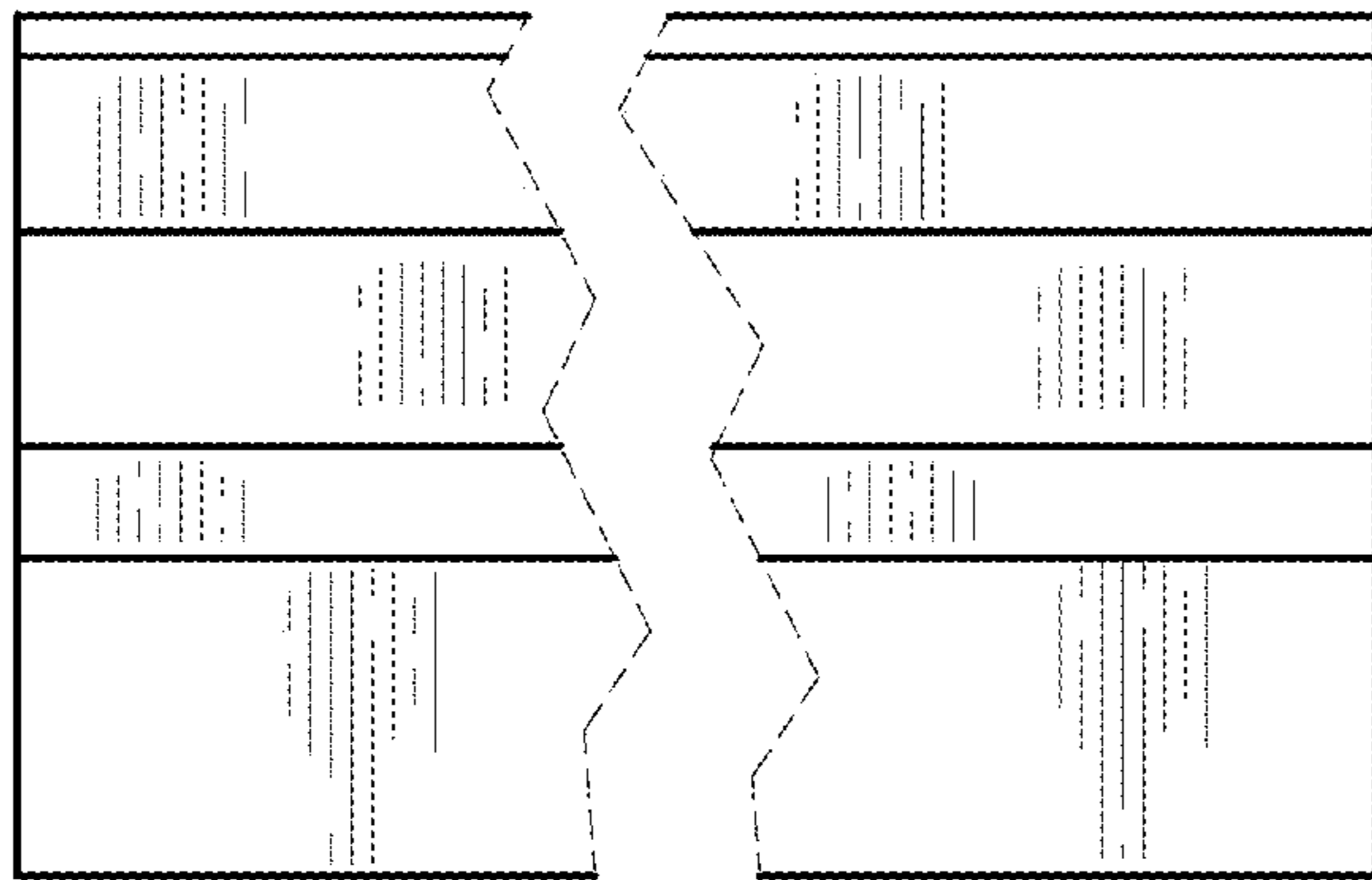


FIG - 14

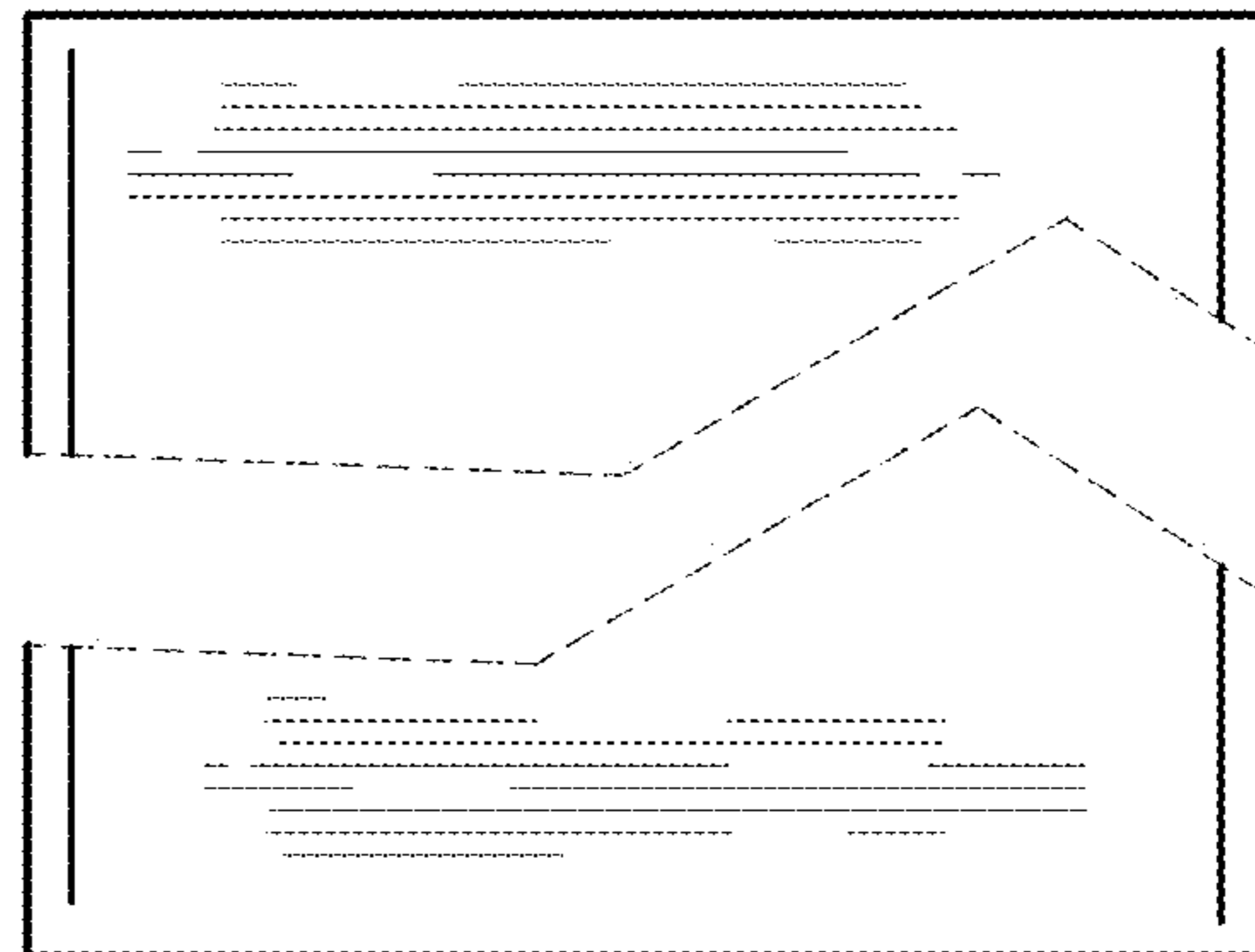


FIG - 15

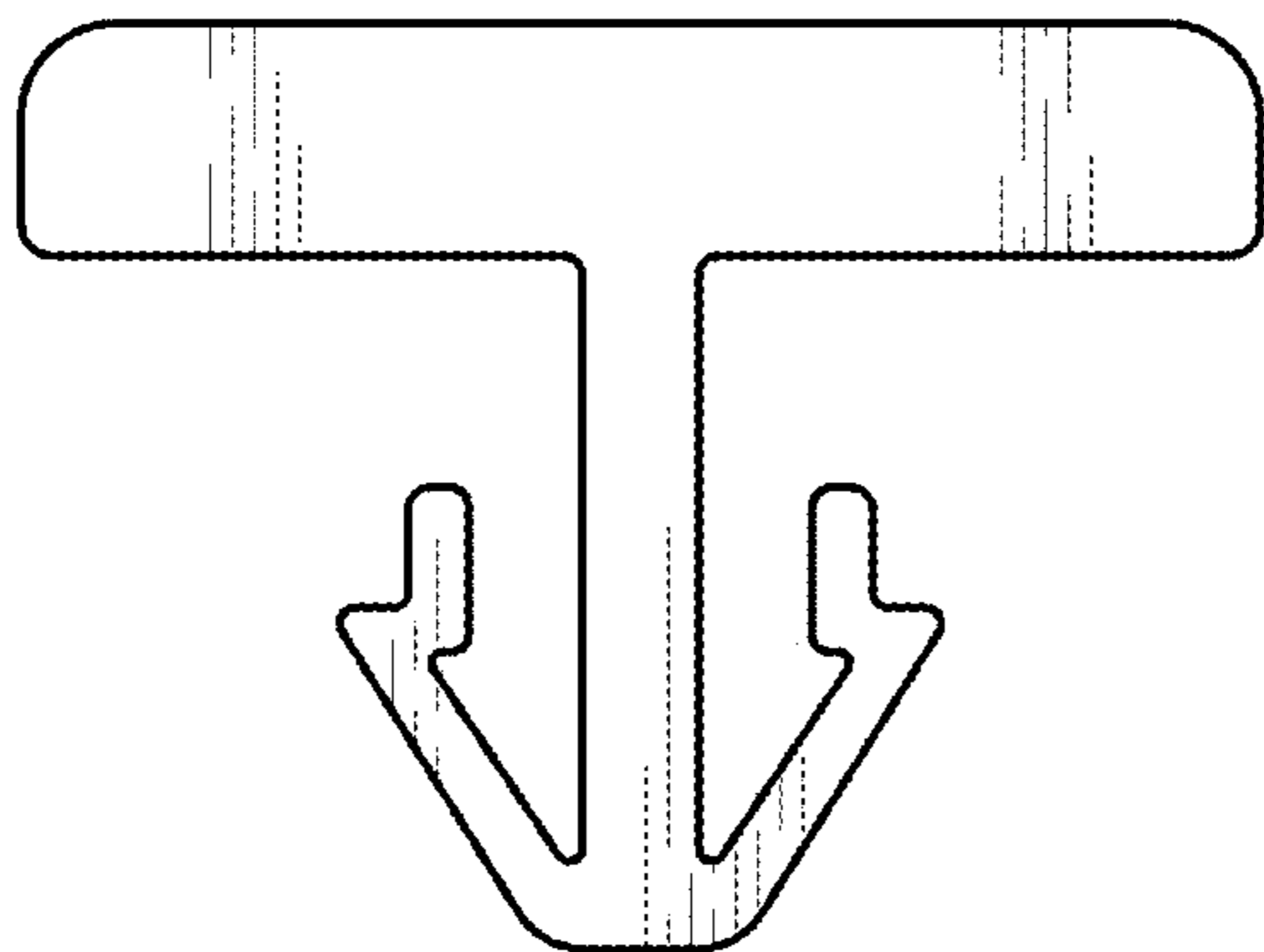


FIG - 16