



US00D901716S

(12) **United States Design Patent** (10) **Patent No.:** **US D901,716 S**
Unger et al. (45) **Date of Patent:** **** *Nov. 10, 2020**

(54) **CONTAINER FOR PROVIDING REAGENTS**

(71) Applicant: **LIFE TECHNOLOGIES CORPORATION**, Carlsbad, CA (US)

(72) Inventors: **Axel Unger**, Munich (DE); **Elgin Meike Toepfer Taylor**, San Francisco, CA (US); **Nicole Busch**, Oldendorf (DE); **Tom Hynek**, Greiveldange (LU); **Fredrik Aidehag**, Stockholm (SE); **Todd Pelman**, San Francisco, CA (US); **Martin Naley**, Winchester, MA (US)

(73) Assignee: **LIFE TECHNOLOGIES CORPORATION**, Carlsbad, CA (US)

(*) Notice: This patent is subject to a terminal disclaimer.

(**) Term: **15 Years**

(21) Appl. No.: **29/661,395**

(22) Filed: **Aug. 27, 2018**

Related U.S. Application Data

(60) Division of application No. 29/552,677, filed on Jan. 25, 2016, now Pat. No. Des. 829,923, which is a continuation of application No. 15/001,047, filed on Jan. 19, 2016, now abandoned, which is a continuation of application No. 13/664,266, filed on Oct. 30, 2012, now Pat. No. 9,272,896, which is a continuation of application No. 11/497,093, filed on Aug. 1, 2006, now Pat. No. 8,329,470, said application No. 29/552,677 is a continuation of application No. 12/135,988, filed on Jun. 9, 2008, now Pat. No. 8,652,424, which is a continuation of application No. 11/497,093, filed on Aug. 1, 2006, now Pat. No. 8,329,470.

(51) **LOC (12) Cl.** **24-02**

(52) **U.S. Cl.**
USPC **D24/224**

(58) **Field of Classification Search**
USPC D24/224, 216, 107, 231, 232; D9/547, D9/523, 516, 560, 569, 572-575; 215/40, 215/43, 365
CPC . B65F 1/00; B65F 1/02; B65F 1/0233; B65D 23/00
See application file for complete search history.

(56) **References Cited**

U.S. PATENT DOCUMENTS

1,633,618 A	6/1927	Thomas
D101,590 S	10/1936	Paterson
D110,477 S	7/1938	Carpenter
2,135,239 A	11/1938	Patterson
D124,054 S	12/1940	Ansell
2,560,761 A	7/1951	Ferguson
2,858,036 A	10/1958	Earle et al.
2,920,777 A	1/1960	Cole
3,033,375 A	5/1962	Cole

(Continued)

Primary Examiner — Marissa J Cash
Assistant Examiner — Rebecca Tsehaye
(74) *Attorney, Agent, or Firm* — Life Technologies Corporation; Karen R. Zachow

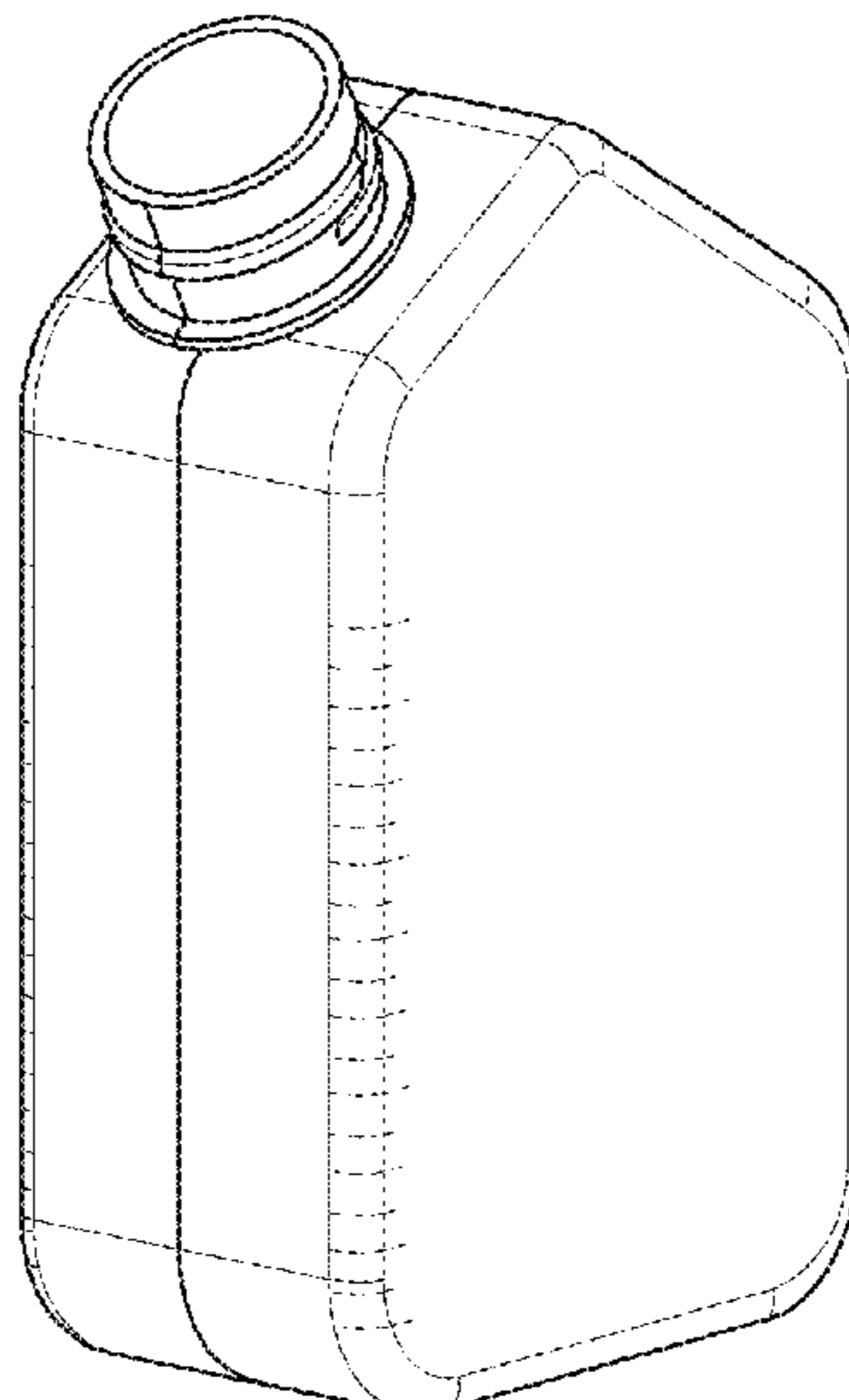
(57) **CLAIM**

The ornamental design for a container for providing reagents, as shown and described.

DESCRIPTION

FIG. 1 is a front view of a container for providing reagents of our new design;
FIG. 2 is a left side view thereof;
FIG. 3 is a front view thereof;
FIG. 4 is a top view thereof; and,
FIG. 5 is a bottom view thereof.
The broken lines in the drawings depict portions of the container for providing reagents that form no part of the claimed design.

1 Claim, 4 Drawing Sheets



(56)

References Cited

U.S. PATENT DOCUMENTS

D200,969 S	4/1965	Wildgen	5,681,748 A	10/1997	Disorbo et al.
3,449,210 A	6/1969	Paul	5,693,537 A	12/1997	Wilson et al.
3,702,806 A	11/1972	William	5,783,440 A	7/1998	Stevens
D234,042 S	1/1975	Barton	5,793,440 A	8/1998	Nakasaka et al.
D238,331 S	1/1976	Melerhoefer et al.	5,861,306 A	1/1999	Pugh et al.
D247,092 S	1/1978	Evangelista et al.	5,924,583 A	7/1999	Stevens et al.
D264,127 S *	4/1982	Peterson D24/224	6,190,878 B1	2/2001	Pierson et al.
4,534,483 A	8/1985	Kassis et al.	6,210,959 B1	4/2001	Lodri et al.
4,707,337 A	11/1987	Jeffs et al.	6,322,242 B1	11/2001	Lang et al.
D292,968 S *	12/1987	Darr D9/520	D454,788 S	3/2002	Pezzoli et al.
D294,557 S *	3/1988	Jones D9/523	6,508,801 B1	1/2003	Fineberg
4,770,854 A	9/1988	Lyman	6,669,910 B1	12/2003	Bienhaus et al.
4,851,351 A	7/1989	Akamine	D490,318 S *	5/2004	Ferguson D9/526
D302,658 S	8/1989	Grinde	6,818,438 B2	11/2004	Muser
4,858,776 A	8/1989	Mehra	D540,174 S	4/2007	Lux
4,883,180 A	11/1989	Humphrey et al.	D548,612 S	8/2007	Berman
4,935,371 A	6/1990	Rickloff	D586,221 S	2/2009	Shaikh
D309,080 S	7/1990	Buchholz	D586,656 S	2/2009	Mount
5,002,199 A	3/1991	Frahm	D606,413 S *	12/2009	Dammkoehler D9/541
5,011,032 A	4/1991	Rollman	D668,772 S *	10/2012	Shanler D24/224
D328,431 S	8/1992	Skidmore et al.	D685,497 S *	7/2013	Kenney D24/224
D337,863 S	7/1993	Bowell	D706,645 S *	6/2014	Jennings D9/535
D343,093 S	1/1994	Sabin et al.	D761,116 S *	7/2016	Berger D9/563
D343,766 S	1/1994	Bastidos	D784,552 S *	4/2017	Onishi D24/224
D347,554 S	6/1994	Wingate et al.	D784,817 S *	4/2017	Heisner D9/523
D356,504 S *	3/1995	Saltz D9/523	D786,077 S *	5/2017	Chung D23/211
D359,361 S	6/1995	Swift	D795,701 S *	8/2017	Engelen D9/453
5,570,802 A	11/1996	Wang et al.	D797,382 S *	9/2017	Haelters D30/121
D379,520 S	5/1997	Stevens et al.	D798,721 S *	10/2017	Duke D9/527
D379,521 S	5/1997	Stevens et al.	D829,923 S *	10/2018	Unger B01L 3/523 D24/224
			2004/0106191 A1	6/2004	Muser
			2007/0031963 A1	2/2007	Chang et al.

* cited by examiner

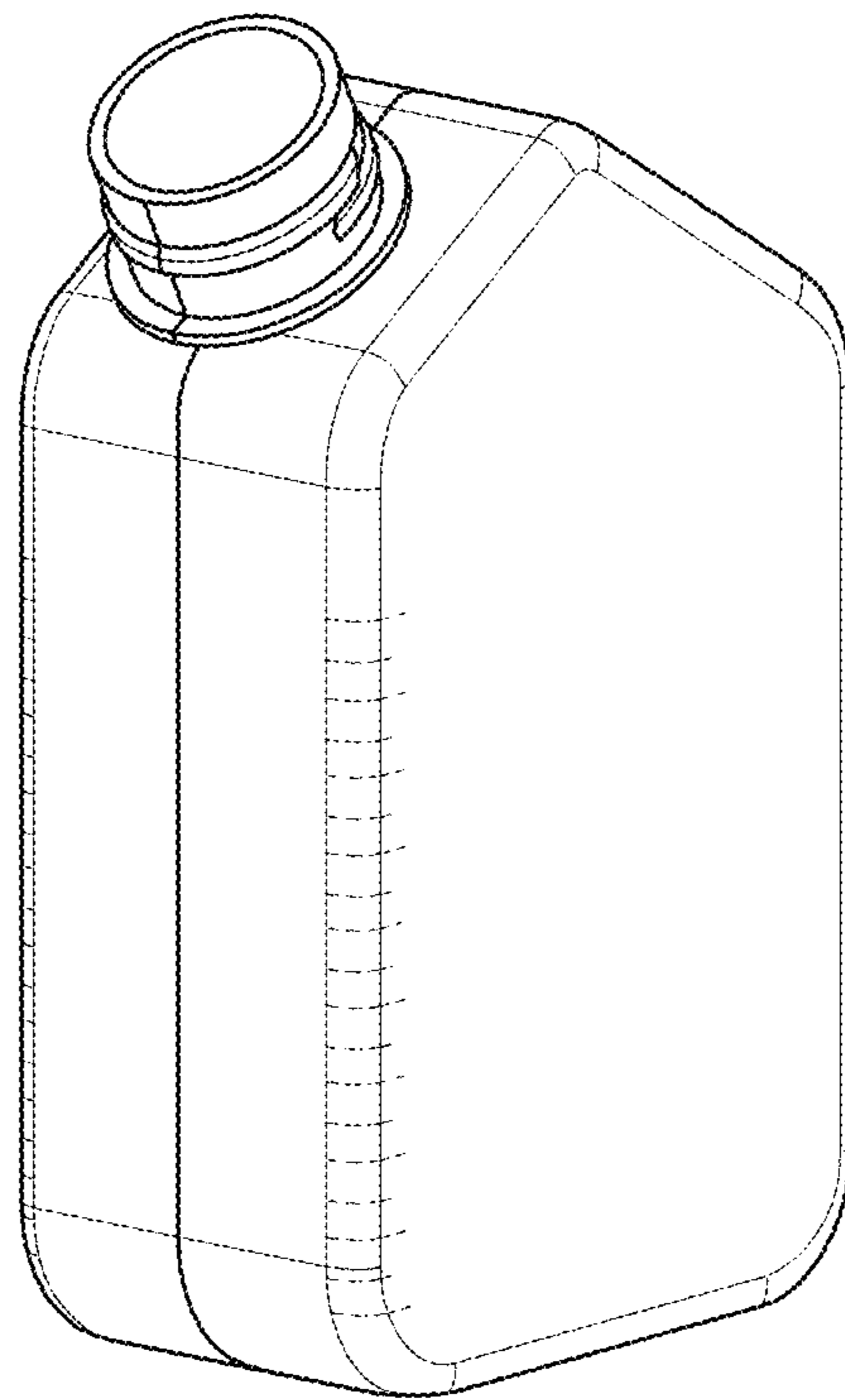


FIG. 1

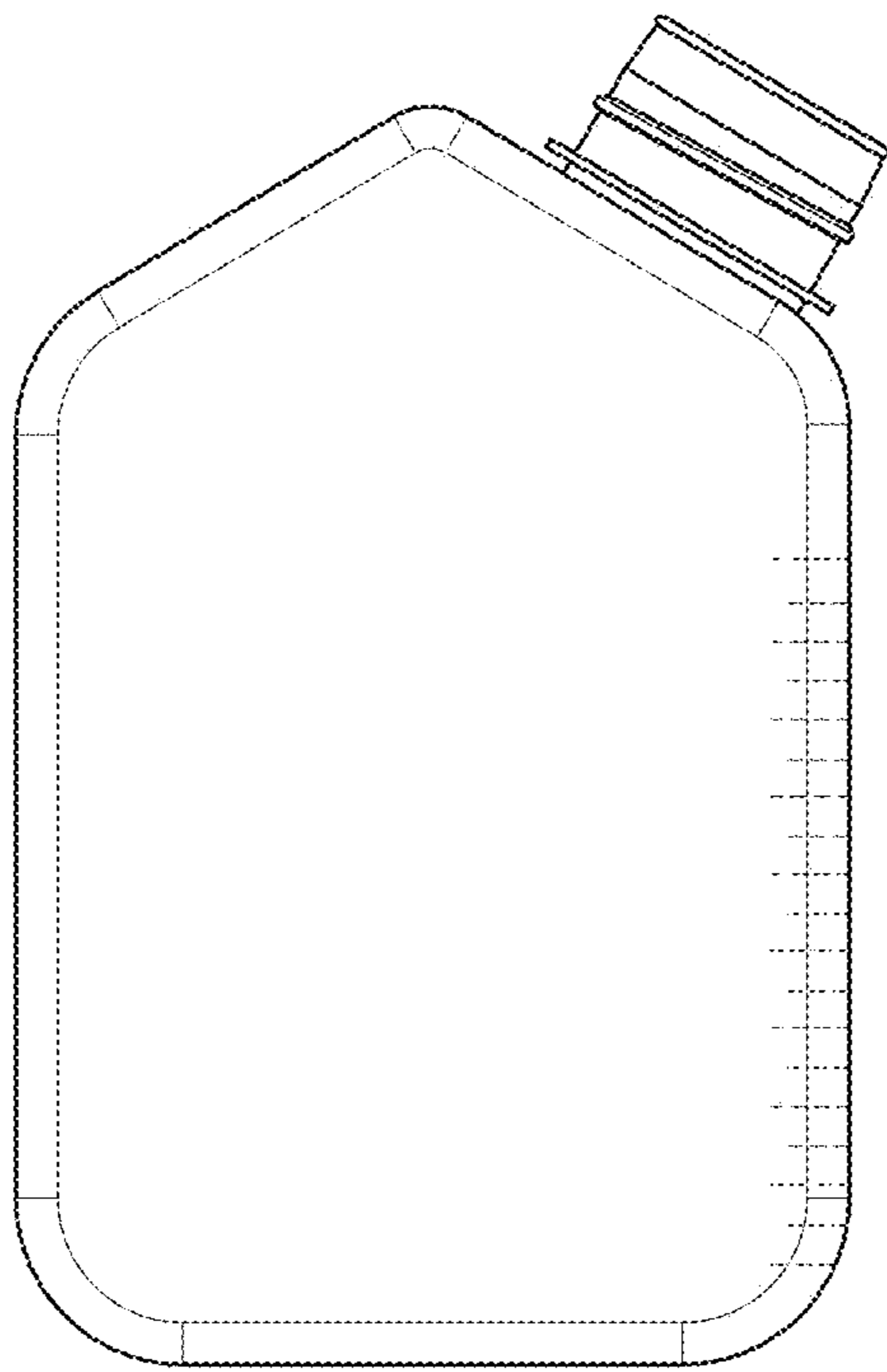


FIG. 2

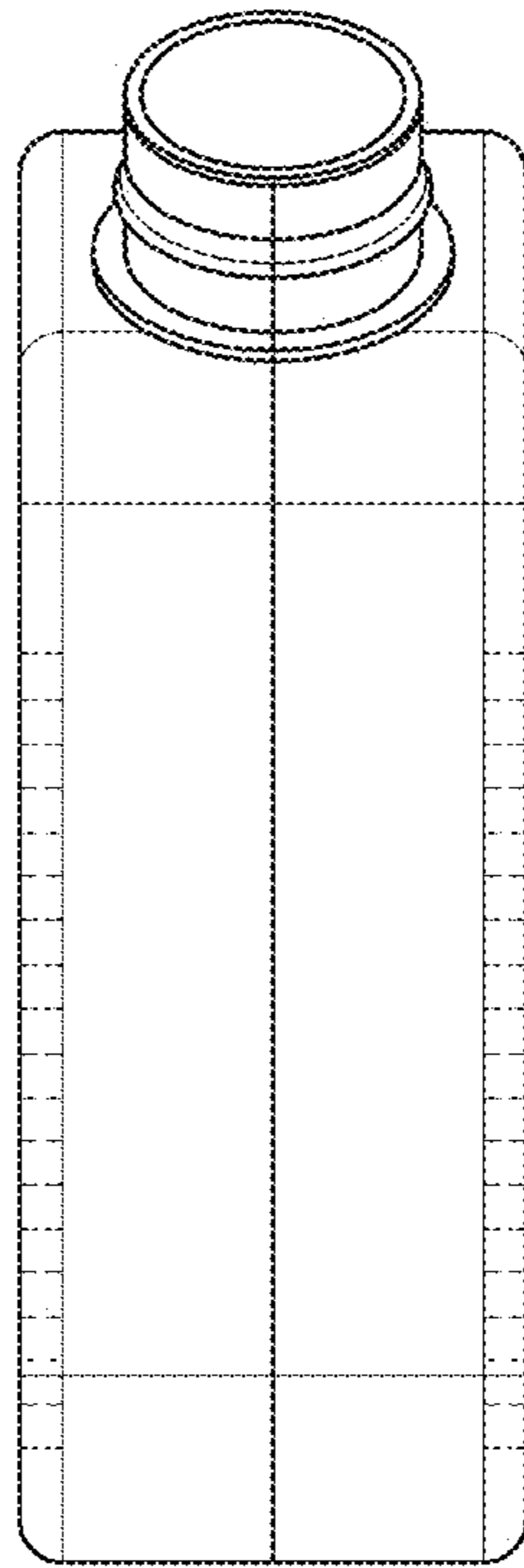


FIG. 3

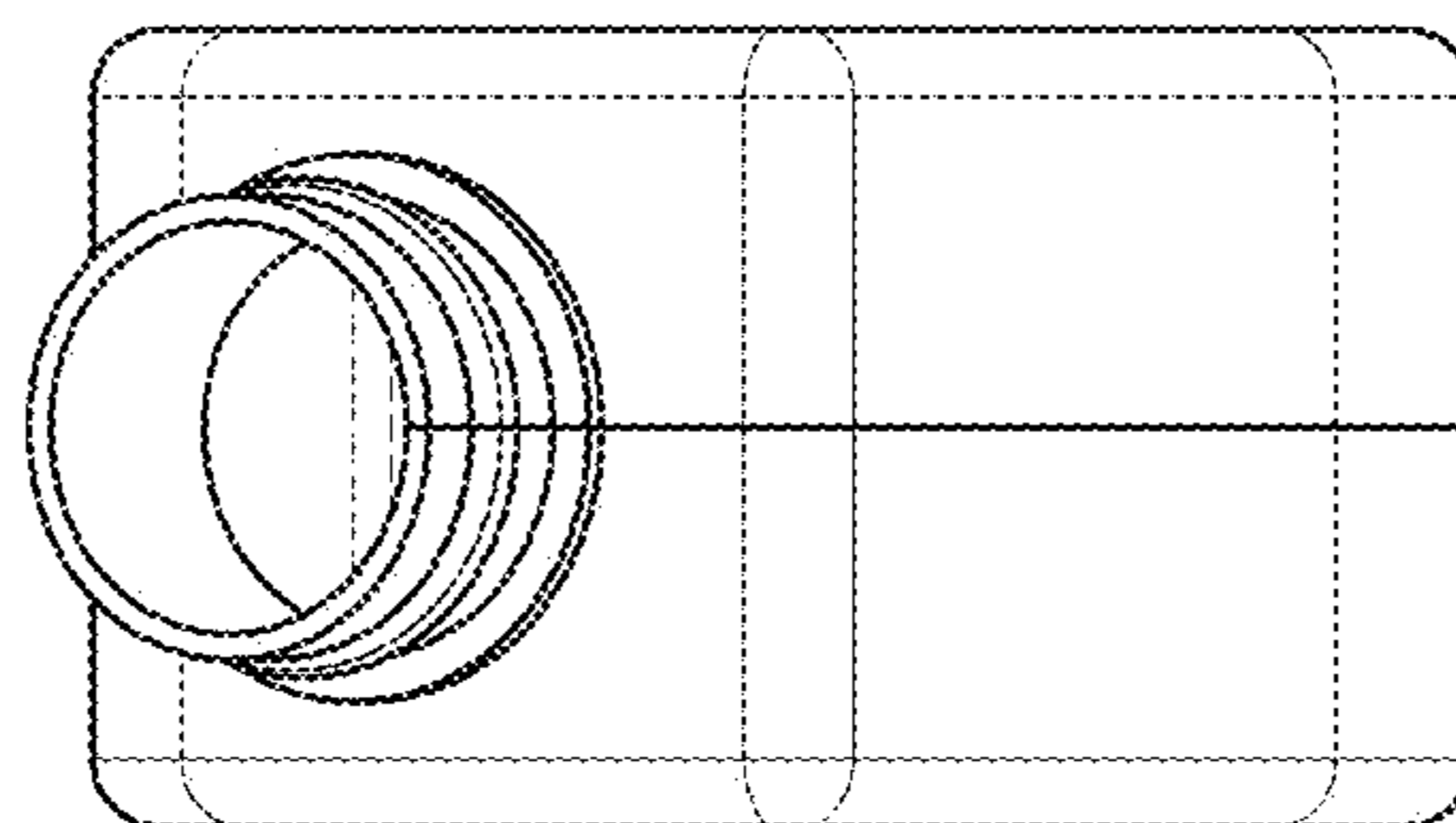


FIG. 4

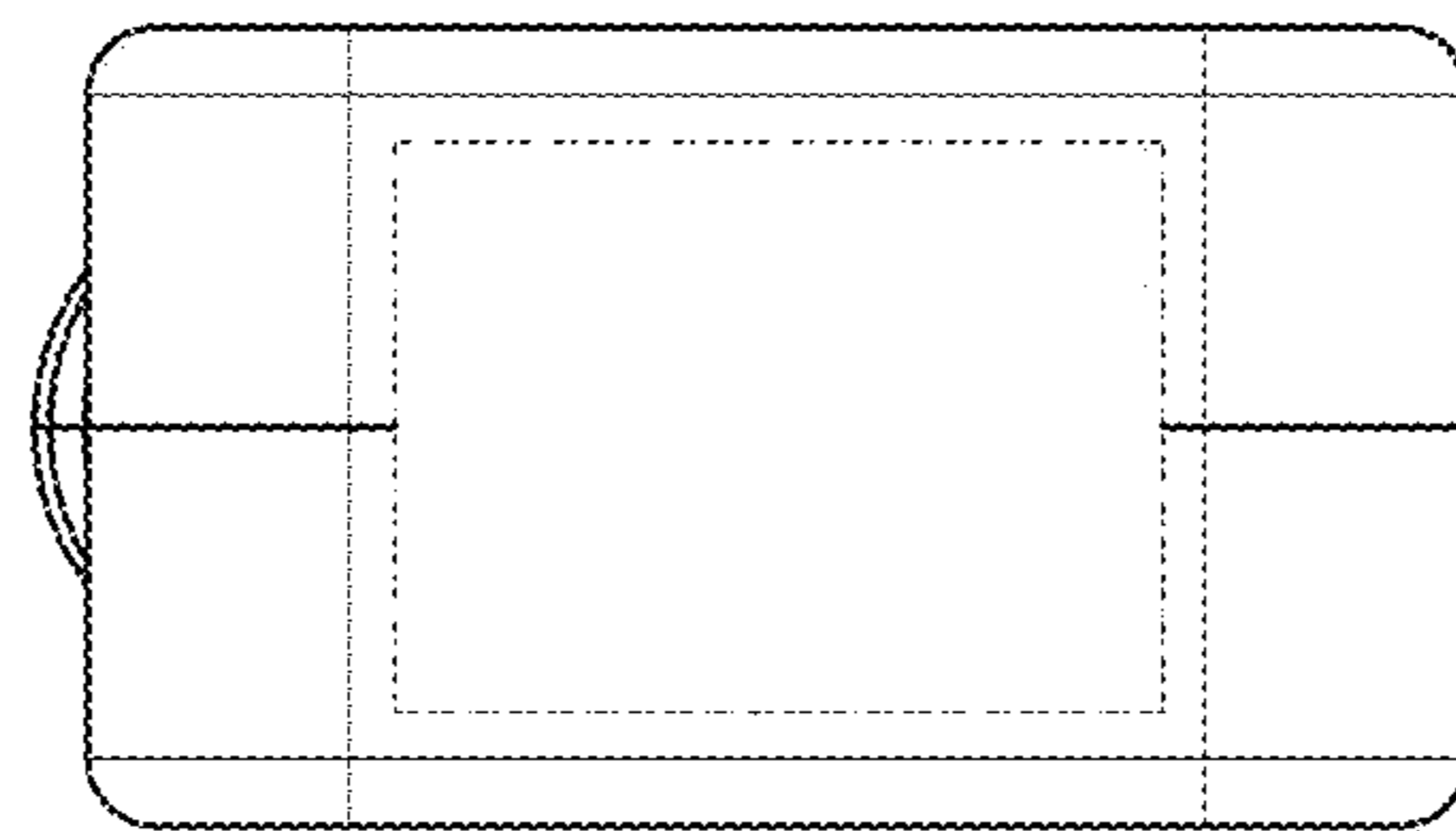


FIG. 5