



US00D901715S

(12) **United States Design Patent**
Ohmura et al.

(10) **Patent No.:** **US D901,715 S**

(45) **Date of Patent:** **** Nov. 10, 2020**

(54) **SAMPLE HOLDER FOR IONIZED SAMPLE ANALYSIS**

(71) Applicant: **HAMAMATSU PHOTONICS K.K.**,
Hamamatsu (JP)

(72) Inventors: **Takayuki Ohmura**, Hamamatsu (JP);
Masahiro Kotani, Hamamatsu (JP)

(73) Assignee: **HAMAMATSU PHOTONICS K.K.**,
Hamamatsu (JP)

(**) Term: **15 Years**

(21) Appl. No.: **29/656,973**

(22) Filed: **Jul. 18, 2018**

(30) **Foreign Application Priority Data**

Jan. 19, 2018 (JP) 2018-000955
Jan. 19, 2018 (JP) 2018-000956

(51) **LOC (12) Cl.** **24-02**

(52) **U.S. Cl.**
USPC **D24/224; D24/225**

(58) **Field of Classification Search**
USPC D24/216, 223–227, 229–232; D9/537,
D9/545, 549, 756–760, 761; D3/203.1,
D3/203.2; D10/81; D28/8

(Continued)

(56) **References Cited**

U.S. PATENT DOCUMENTS

D218,819 S 9/1970 Rubbin
D227,744 S 7/1973 Mitchko
(Continued)

OTHER PUBLICATIONS

Custom 6 Color Highlighter Makeup Packaging Eyeshadow Palette Container With Mirror. Online, published date unknown. Retrieved

on Nov. 10, 2019 from URL: https://www.globalsources.com/gsol/l/Cosmetic-packaging/p/sm/1162915740.htm#1162915740.*

(Continued)

Primary Examiner — Janice Hallmark

Assistant Examiner — Omeed Agilee

(74) *Attorney, Agent, or Firm* — Faegre Drinker Biddle & Reath LLP

(57) **CLAIM**

The ornamental design for a sample holder for ionized sample analysis, as shown and described.

DESCRIPTION

FIG. 1 is a front view of a sample holder for ionized sample analysis of the first embodiment of the present invention; FIG. 2 is a rear view thereof; FIG. 3 is a top plan view thereof; FIG. 4 is a bottom plan view thereof; FIG. 5 is a right side view thereof; FIG. 6 is a left side view thereof; FIG. 7 is a front perspective view thereof; FIG. 8 is a rear perspective view thereof; FIG. 9 is an enlarged cross-sectional view along the line 9-9 in FIG. 1, in the area designated by 9'-9' in FIG. 1; FIG. 10 is an enlarged cross-sectional view along the line 10-10 in FIG. 1, in the area designated by 10'-10' in FIG. 1; FIG. 11 is an enlarged cross-sectional view along the line 11-11 in FIG. 1, in the area designated by 11'-11' in FIG. 1; FIG. 12 is an enlarged cross-sectional view along the line 12-12 in FIG. 1, in the area designated by 12'-12' in FIG. 1; FIG. 13 is an enlarged cross-sectional view along the line 13-13 in FIG. 1, in the area designated by 13'-13' in FIG. 1; FIG. 14 is a front view of a sample holder for ionized sample analysis of the second embodiment of the present invention; FIG. 15 is a rear view thereof; FIG. 16 is a top plan view thereof; FIG. 17 is a bottom plan view thereof; FIG. 18 is a right side view thereof; FIG. 19 is a left side view thereof; FIG. 20 is a front perspective view thereof; FIG. 21 is a rear perspective view thereof;

(Continued)

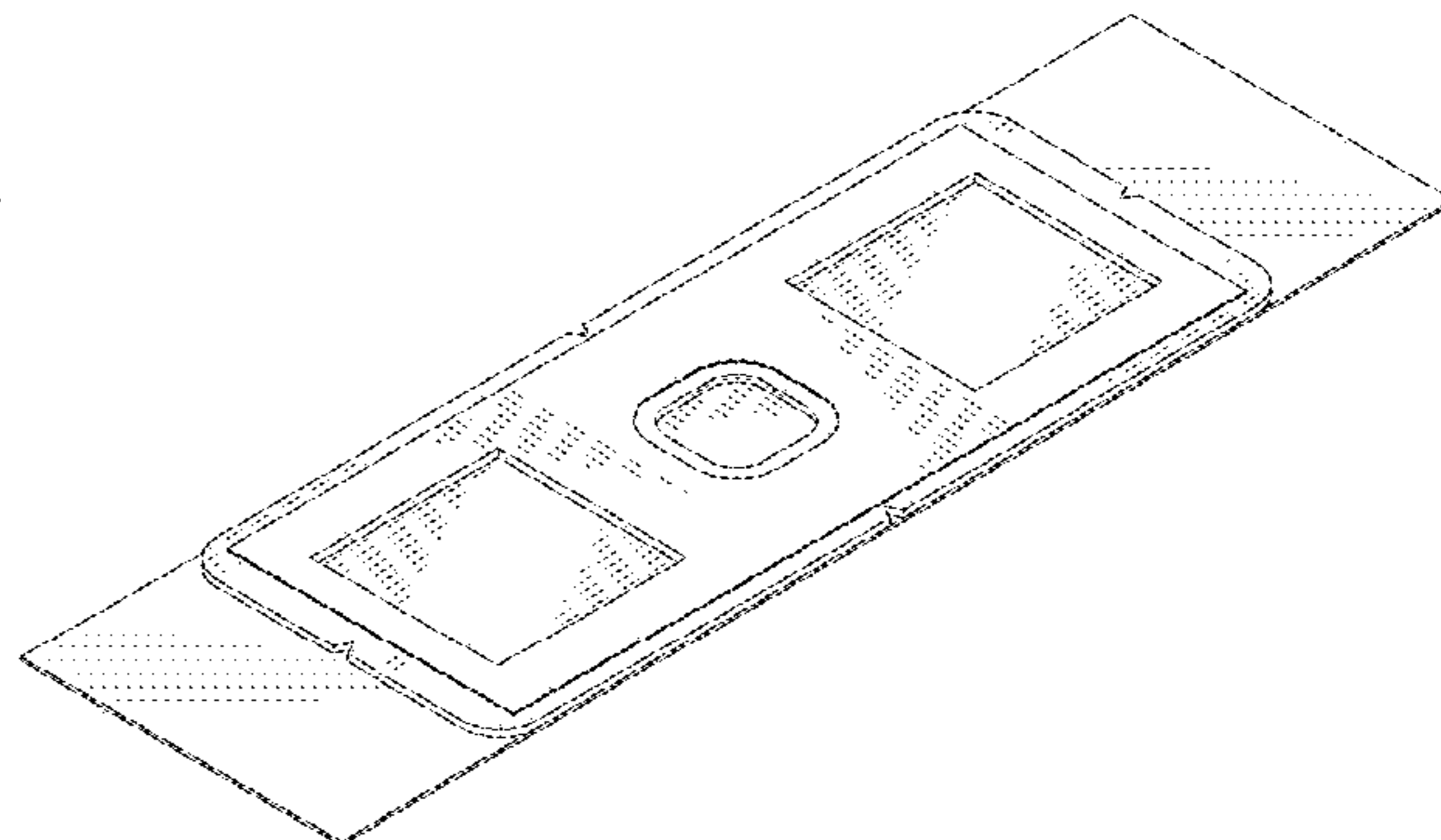
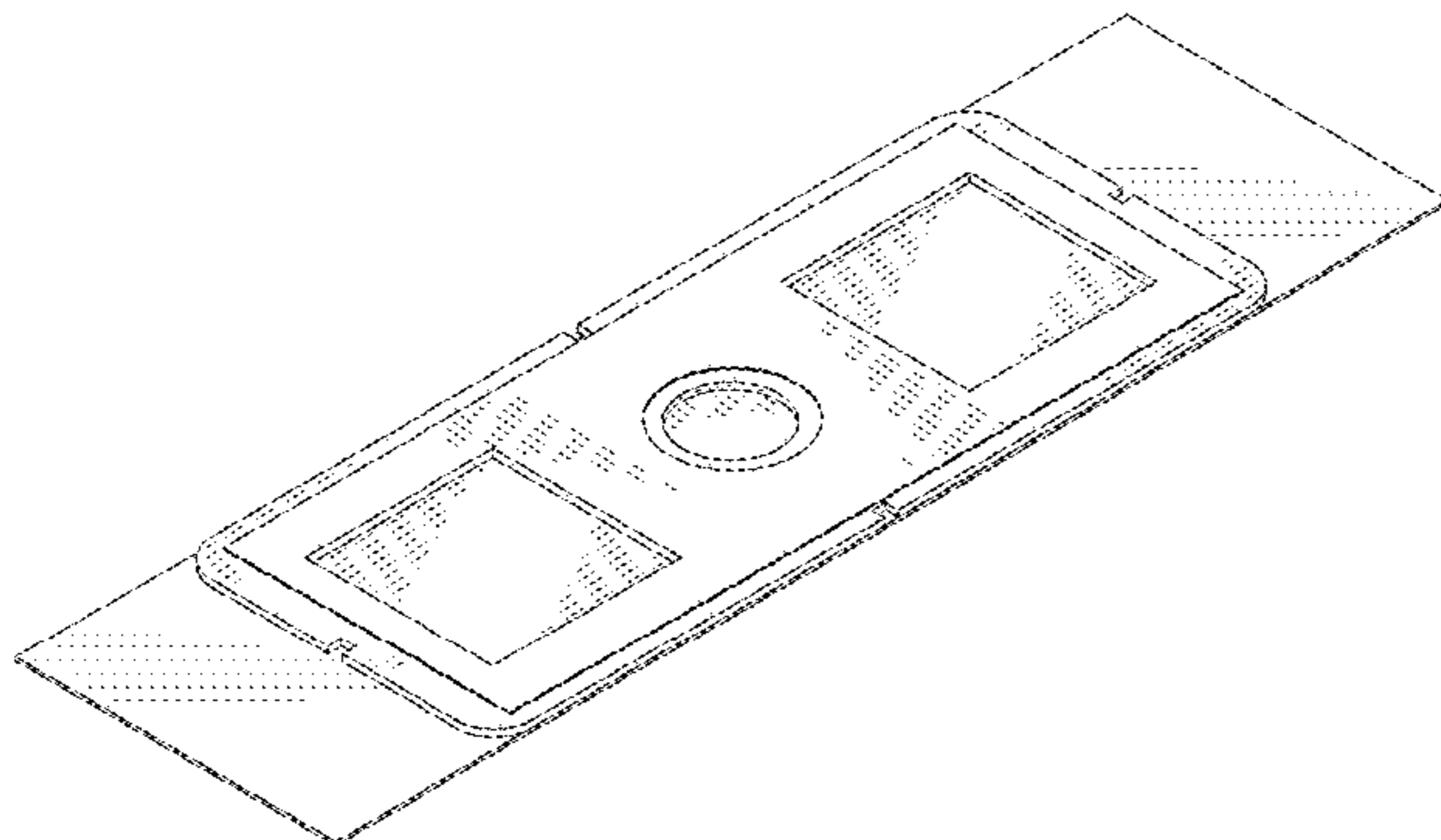


FIG. 22 is an enlarged cross-sectional view along the line 22-22 in FIG. 14, in the area designated by 22'-22' in FIG. 14;

FIG. 23 is an enlarged cross-sectional view along the line 23-23 in FIG. 14, in the area designated by 23'-23' in FIG. 14;

FIG. 24 is an enlarged cross-sectional view along the line 24-24 in FIG. 14, in the area designated by 24'-24' in FIG. 14;

FIG. 25 is an enlarged cross-sectional view along the line 25-25 in FIG. 14, in the area designated by 25'-25' in FIG. 14; and,

FIG. 26 is an enlarged cross-sectional view along the line 26-26 in FIG. 14, in the area designated by 26'-26' in FIG. 14.

The dash-dot-dash broken lines depict indicators for sectional views and enlarged views and depict boundaries in the enlarged sectional views and enlarged views, the dash-dot-dash broken lines form no part of the claimed design.

1 Claim, 26 Drawing Sheets

(58) **Field of Classification Search**

CPC ... C12M 23/10; C12M 23/12; G01N 23/0033; G01N 23/0041; G01N 23/20025

See application file for complete search history.

(56) **References Cited**

U.S. PATENT DOCUMENTS

D239,548 S * 4/1976 Schiff D24/225
 D273,898 S 5/1984 Valencia
 D274,261 S 6/1984 Valencia
 D277,699 S * 2/1985 Valencia D24/225
 D290,042 S 5/1987 Ford
 5,349,436 A * 9/1994 Fisch G02B 21/34
 356/246
 D351,475 S 10/1994 Gerber
 5,425,451 A 6/1995 Blase
 D376,685 S 12/1996 Weller et al.
 5,784,193 A 7/1998 Ferguson
 D397,831 S 9/1998 Stoecker
 D418,228 S 12/1999 Fisch
 D420,745 S 2/2000 Cardy
 D431,300 S 9/2000 Fisch
 D431,301 S 9/2000 Fisch
 D473,318 S * 4/2003 Barbera-Guillem D24/216
 D491,276 S * 6/2004 Langille D24/225
 D500,142 S 12/2004 Crisanti et al.
 D503,274 S 3/2005 Roche et al.
 D510,883 S 10/2005 George
 D530,826 S 10/2006 Rich et al.
 D540,953 S 4/2007 Ramel et al.
 7,217,520 B2 5/2007 Tsinberg et al.
 D569,990 S * 5/2008 Fisch D24/225
 7,409,698 B2 8/2008 Tjensvold et al.
 D596,753 S 7/2009 LaStella
 D596,758 S 7/2009 Constable
 D672,050 S 12/2012 Lee et al.
 D673,295 S 12/2012 Motadel

D680,227 S * 4/2013 Berg D24/223
 D699,369 S * 2/2014 Fonseca D24/224
 D702,364 S 4/2014 Iqbal et al.
 D722,385 S * 2/2015 Fonseca D24/224
 9,034,634 B2 5/2015 Miller
 D733,313 S 6/2015 Kouge et al.
 D733,912 S 7/2015 Ito et al.
 D734,482 S * 7/2015 Peterman D24/216
 D736,403 S * 8/2015 Hudson D24/226
 D758,608 S * 6/2016 Behar D24/223
 9,455,117 B2 9/2016 Fujiwara et al.
 D786,448 S * 5/2017 Ohsaka D24/224
 D787,356 S 5/2017 Johnston
 D792,735 S 7/2017 Henry
 D800,184 S * 10/2017 Suess D15/79
 D800,336 S 10/2017 Chang et al.
 D806,890 S 1/2018 Williams et al.
 D806,892 S 1/2018 Walden, II et al.
 D812,767 S * 3/2018 Osmus D24/225
 D825,076 S 8/2018 Librach et al.
 D827,857 S 9/2018 Buschtez
 D838,001 S 1/2019 Ito et al.
 D840,049 S 2/2019 Schulz et al.
 D841,183 S 2/2019 Walden, II et al.
 D843,013 S 3/2019 Ito et al.
 D854,184 S 7/2019 Ito et al.
 D855,203 S 7/2019 Katsumata et al.
 D855,206 S 7/2019 Ito et al.
 D855,207 S 7/2019 Ito et al.
 D855,208 S 7/2019 Ito et al.
 D855,209 S 7/2019 Ito et al.
 D855,210 S 7/2019 Ito et al.
 D867,612 S 11/2019 Ohmura et al.
 D867,613 S 11/2019 Ohmura et al.
 2005/0237607 A1 10/2005 Tenney
 2008/0056948 A1 3/2008 Dale et al.
 2009/0253582 A1 * 10/2009 Pena B01L 3/5085
 506/7
 2011/0268630 A1 11/2011 Williams et al.
 2012/0045792 A1 * 2/2012 Cohen B01L 3/5023
 435/40.5
 2012/0142026 A1 * 6/2012 Miller G01N 27/49
 435/7.9
 2014/0038193 A1 2/2014 Spoto et al.
 2015/0330776 A1 11/2015 Hayashi et al.
 2016/0175840 A1 6/2016 Ingber et al.

OTHER PUBLICATIONS

Paleta 15 Sombras Mac Colores Neutros* Regalo Gratis. Online, published date unknown. Retrieved on May 12, 2020 from URL: https://articulo.mercadolibre.com.mx/MLM-598664759-paleta-15-sombras-mac-colores-neutros-regalo-gratis-_JM.*
 "Makeup Tool Kit 33 in 1 Make up Cosmetics Including Eyeshadow Blush Powder Lip gloss With Makeup Box Makeup Set for Gift.", kozeez online page, Retrieved on Oct. 10, 2019, unknown.
 Office Action dated Dec. 9, 2019 in U.S. Appl. No. 29/657,001.
 Office Action dated Dec. 10, 2019 in U.S. Appl. No. 29/656,985.
 Makeup palette. Online, published date unknown. Retrieved on Dec. 5, 2019 from URL: <https://www.wallpaperflare.com/search?wallpaper=makeup+palette>.
 Notice of Allowance dated May 7, 2020 in Design U.S. Appl. No. 29/657,008.

* cited by examiner

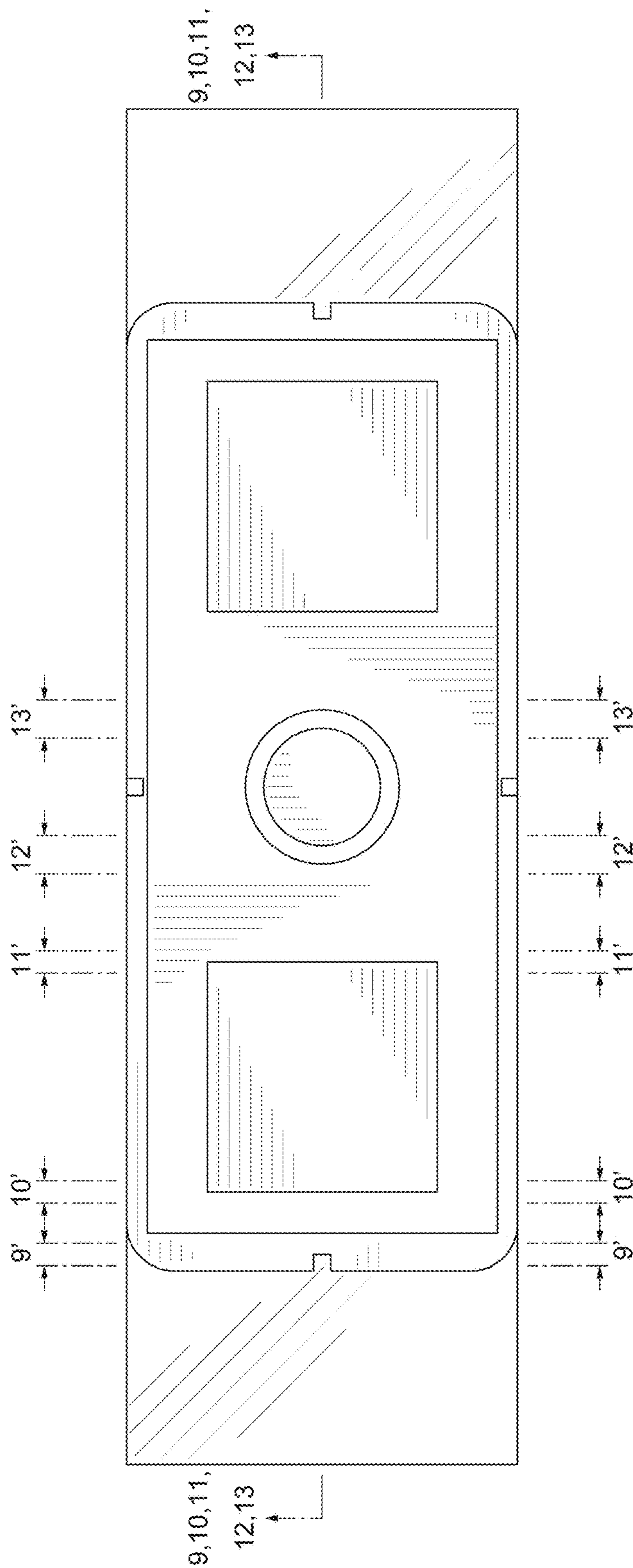


FIG. 1

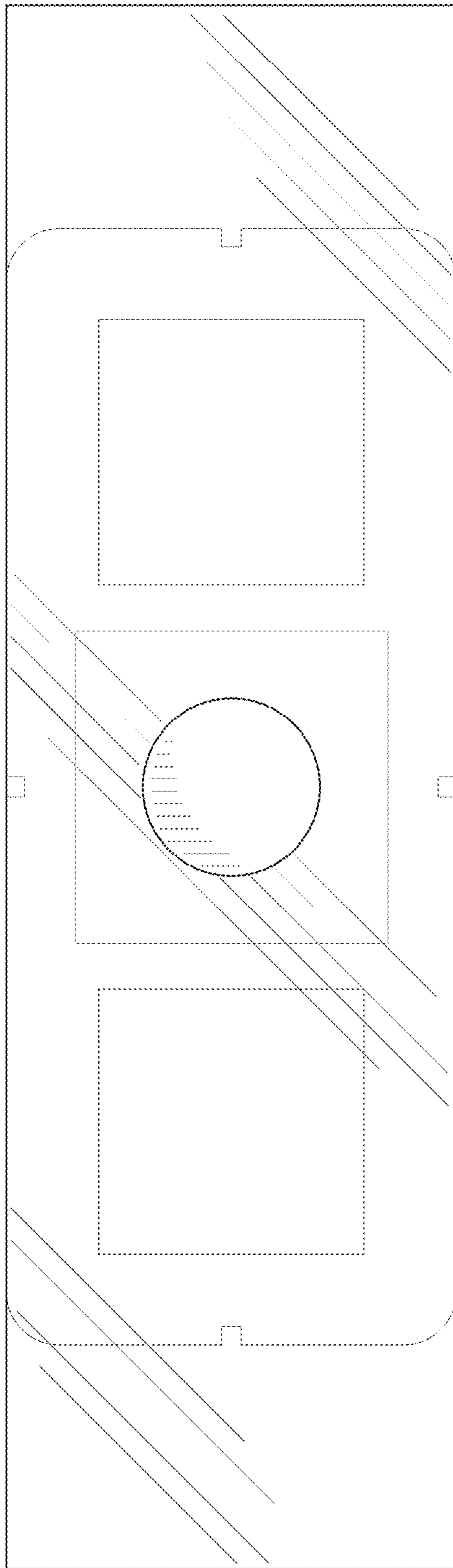


FIG. 2



FIG. 3



FIG. 4



FIG. 5



FIG. 6

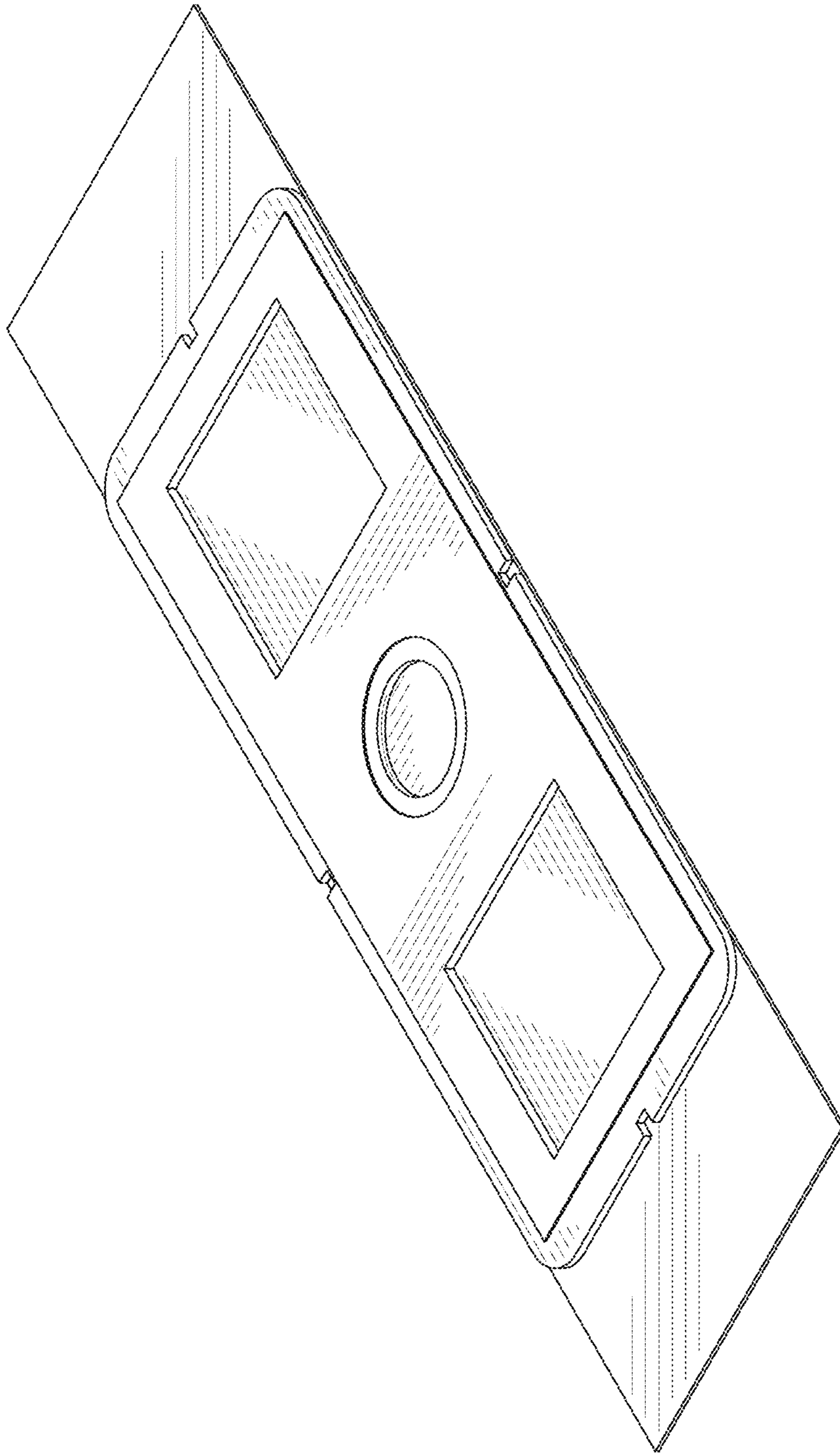


FIG. 7

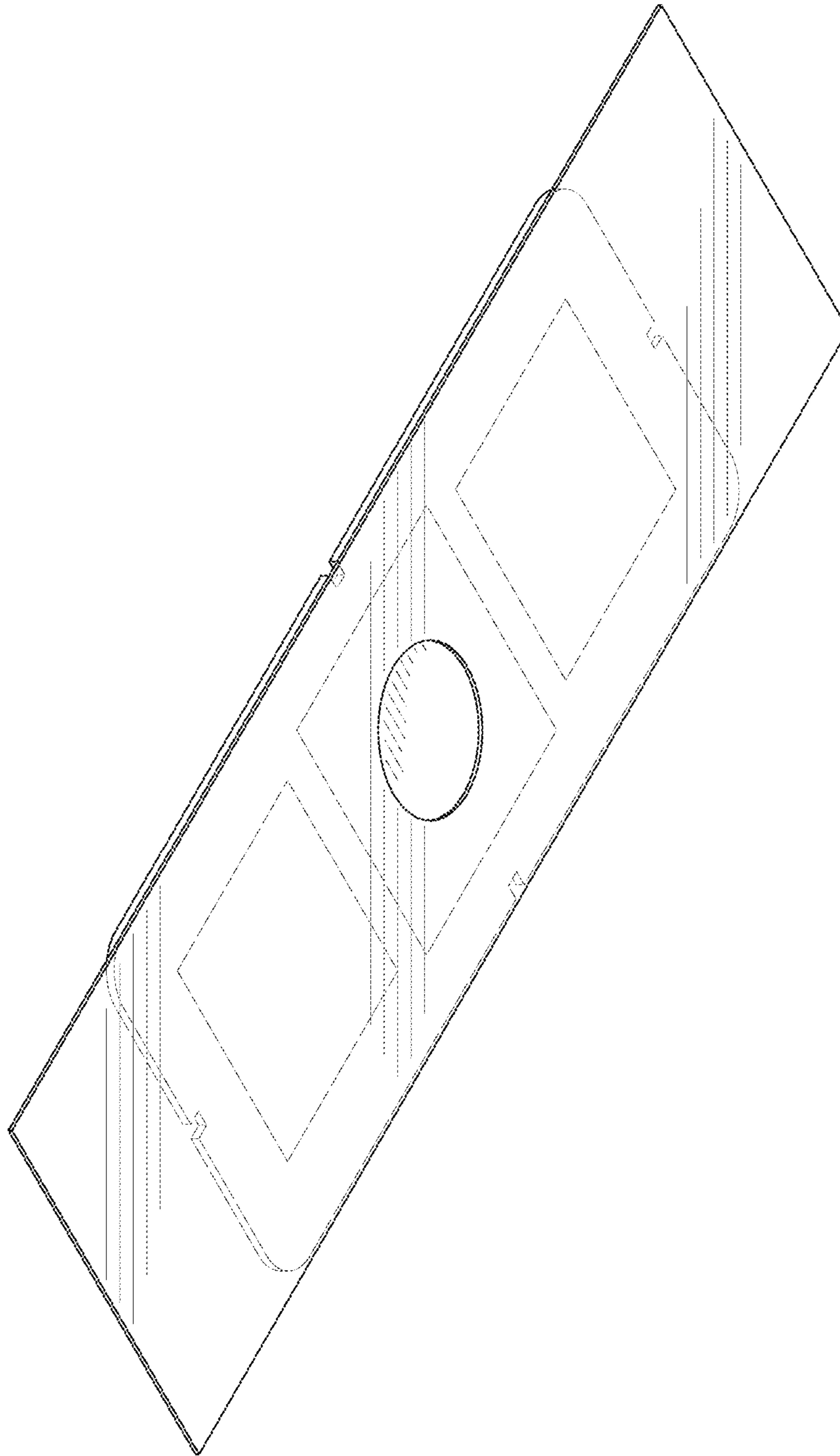


FIG. 8

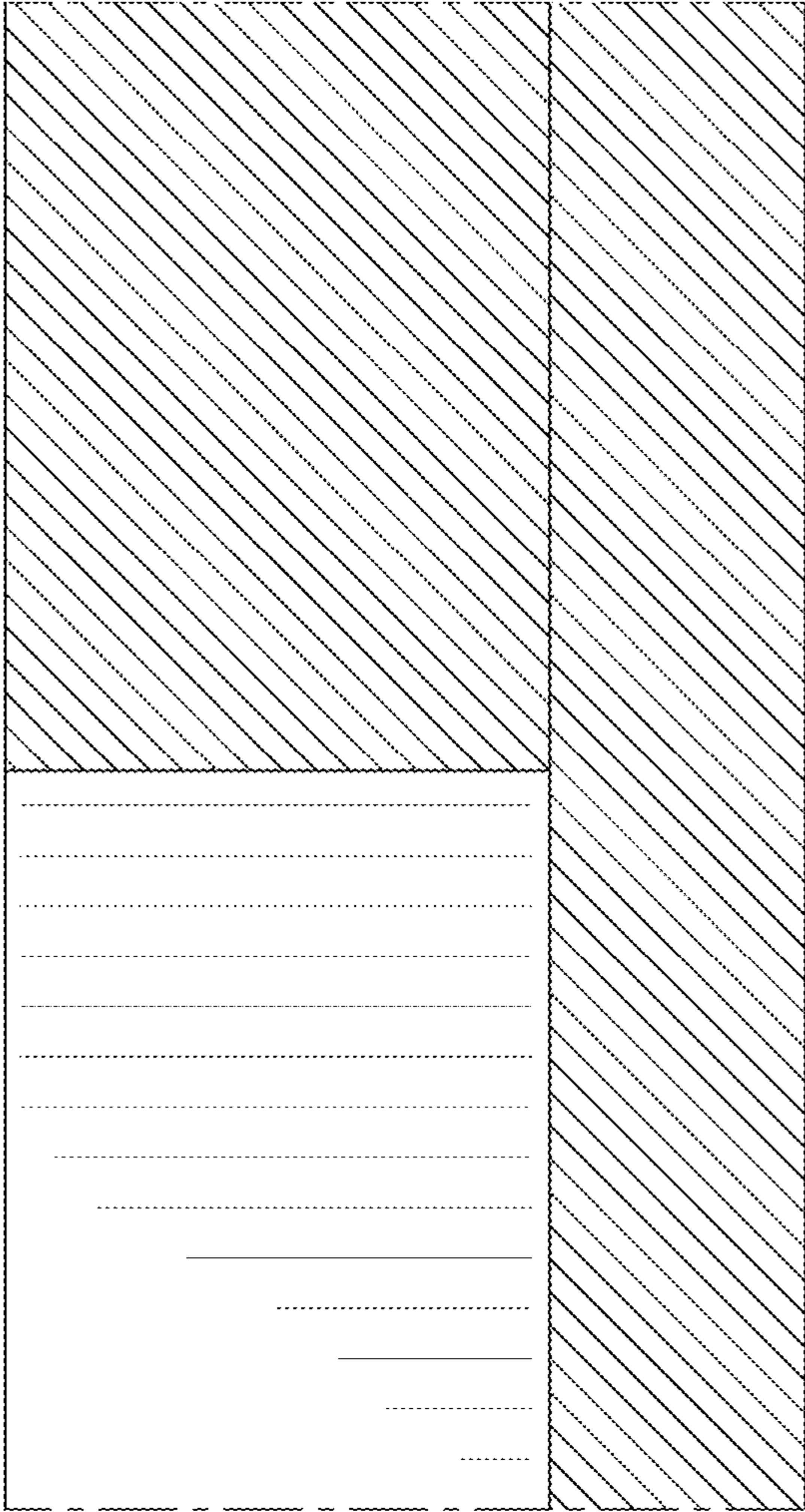


FIG. 9

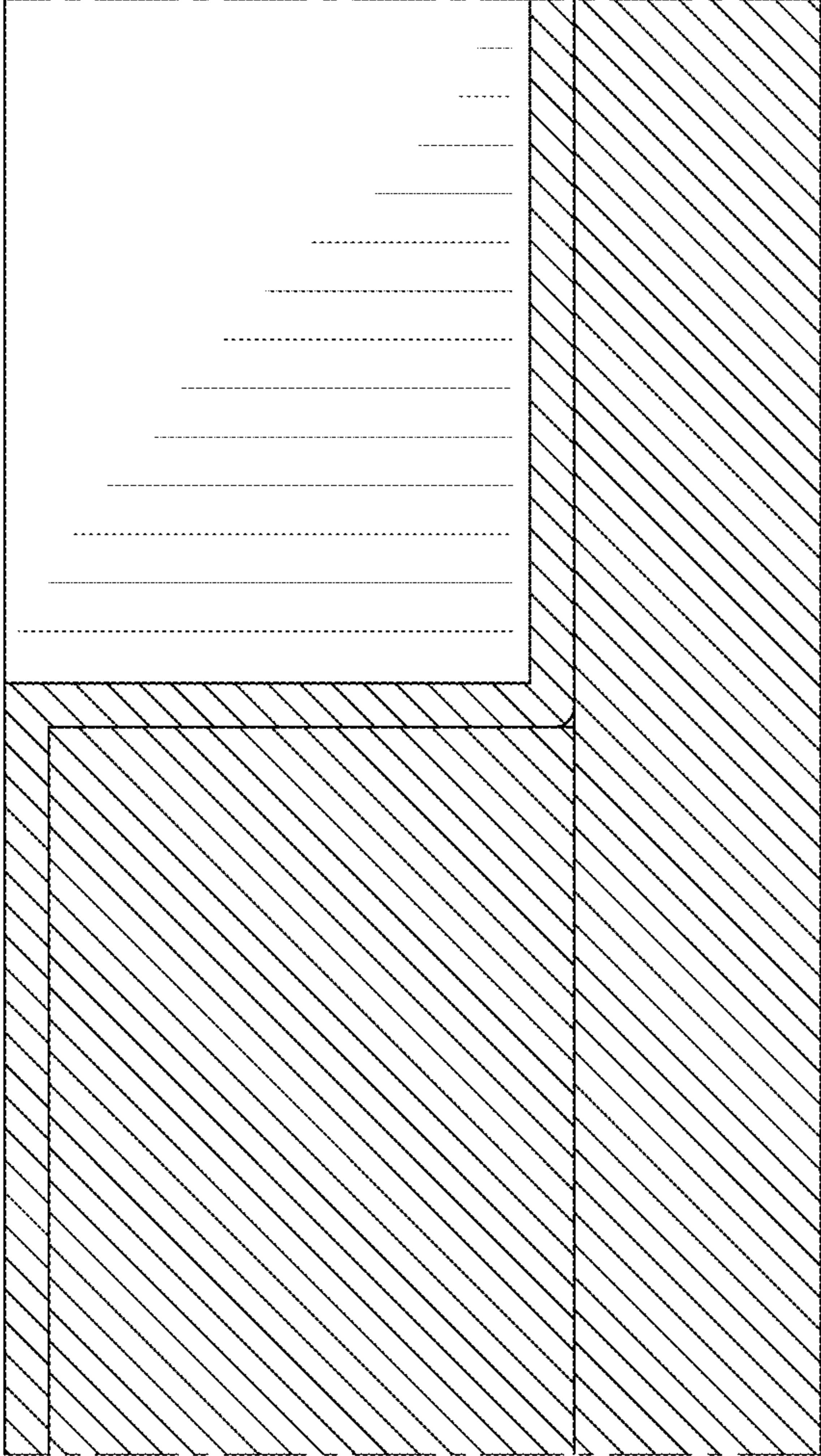


FIG. 10

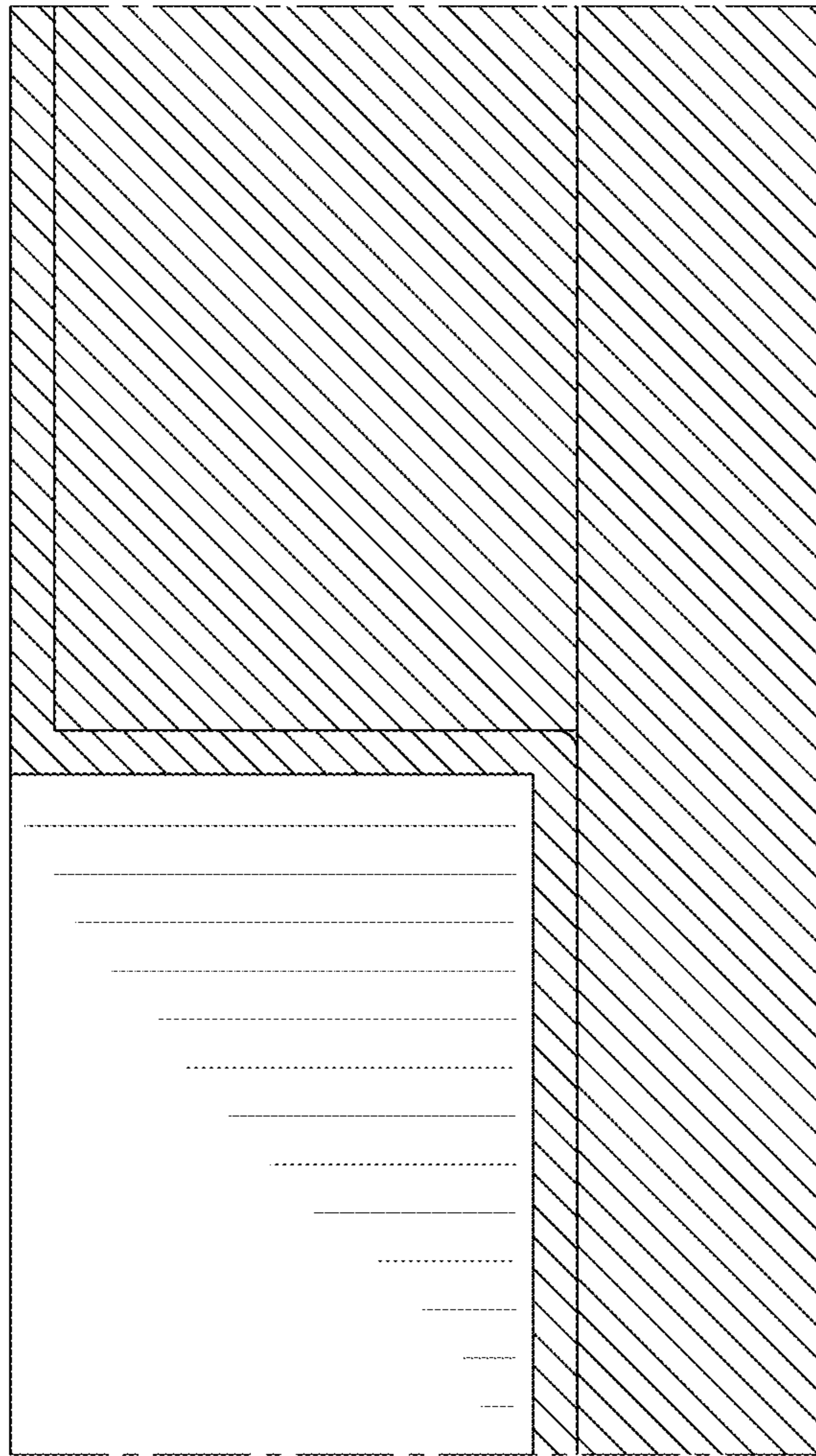


FIG. 11

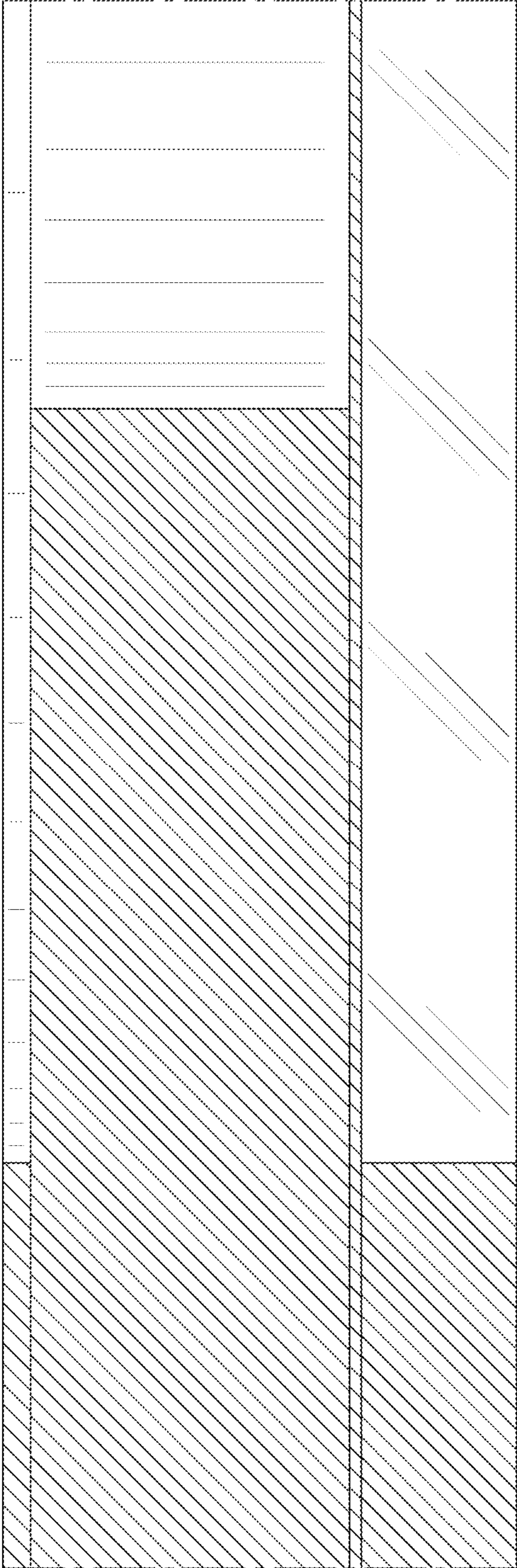


FIG. 12

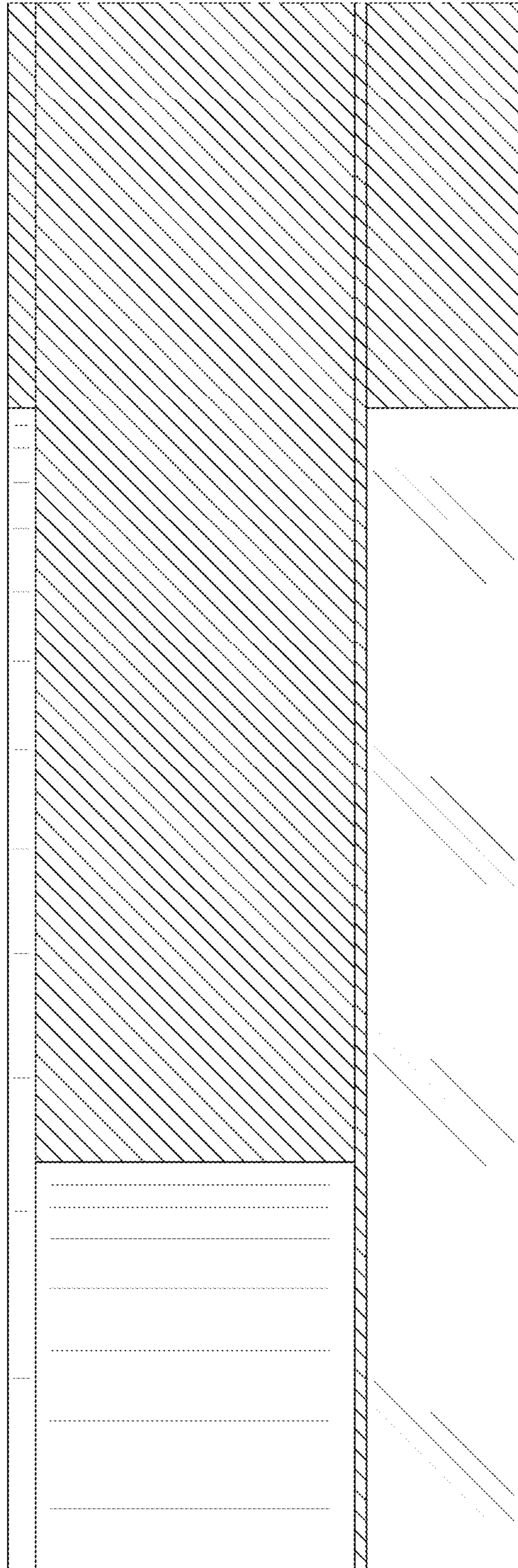


FIG. 13

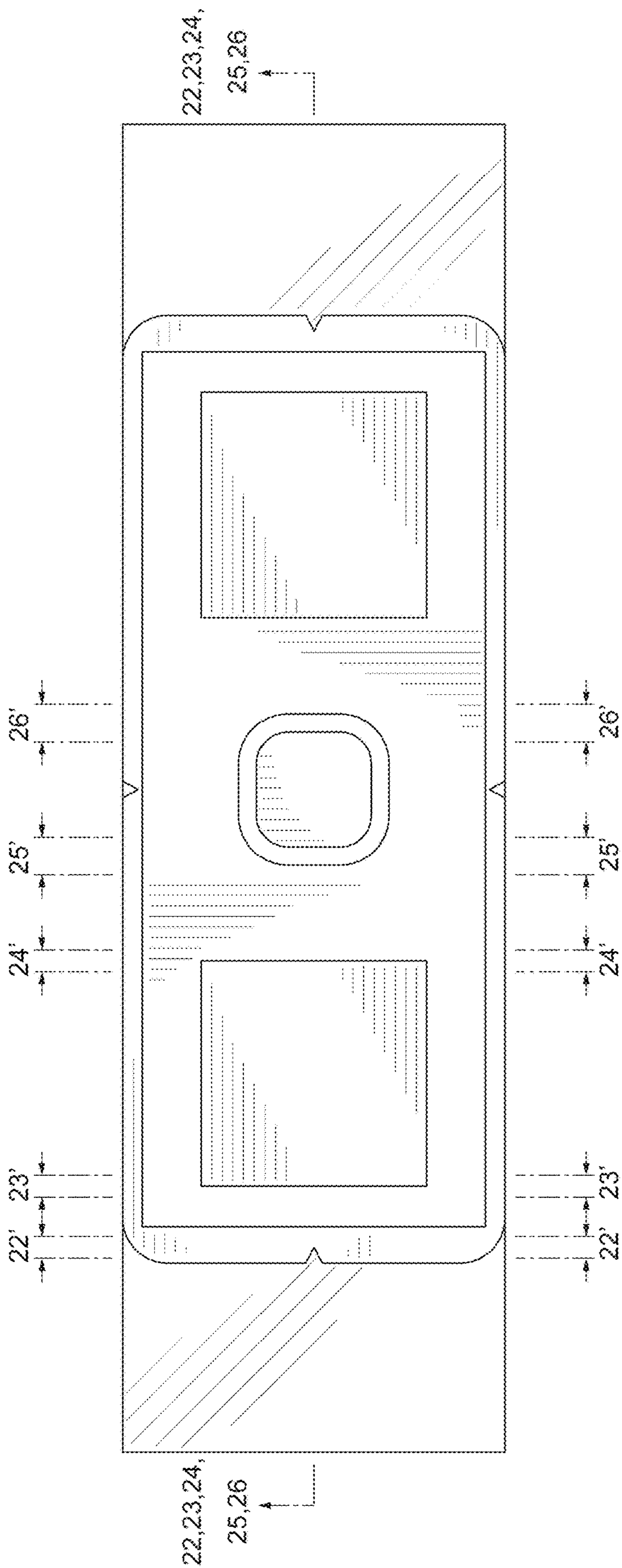


FIG. 14

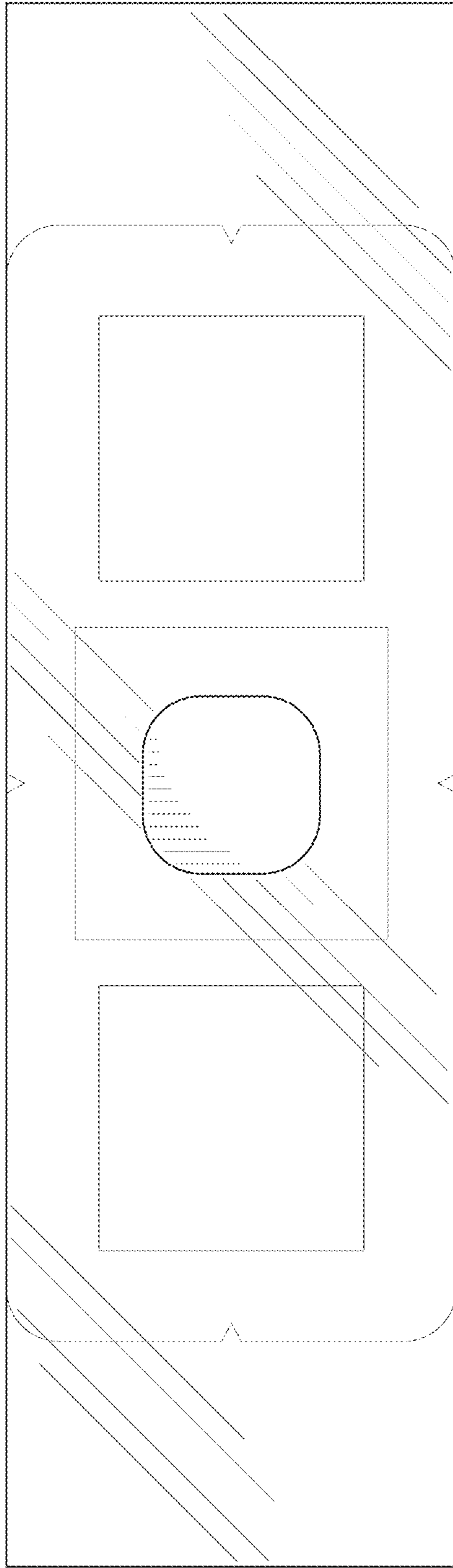


FIG. 15



FIG. 16



FIG. 17



FIG. 18



FIG. 19

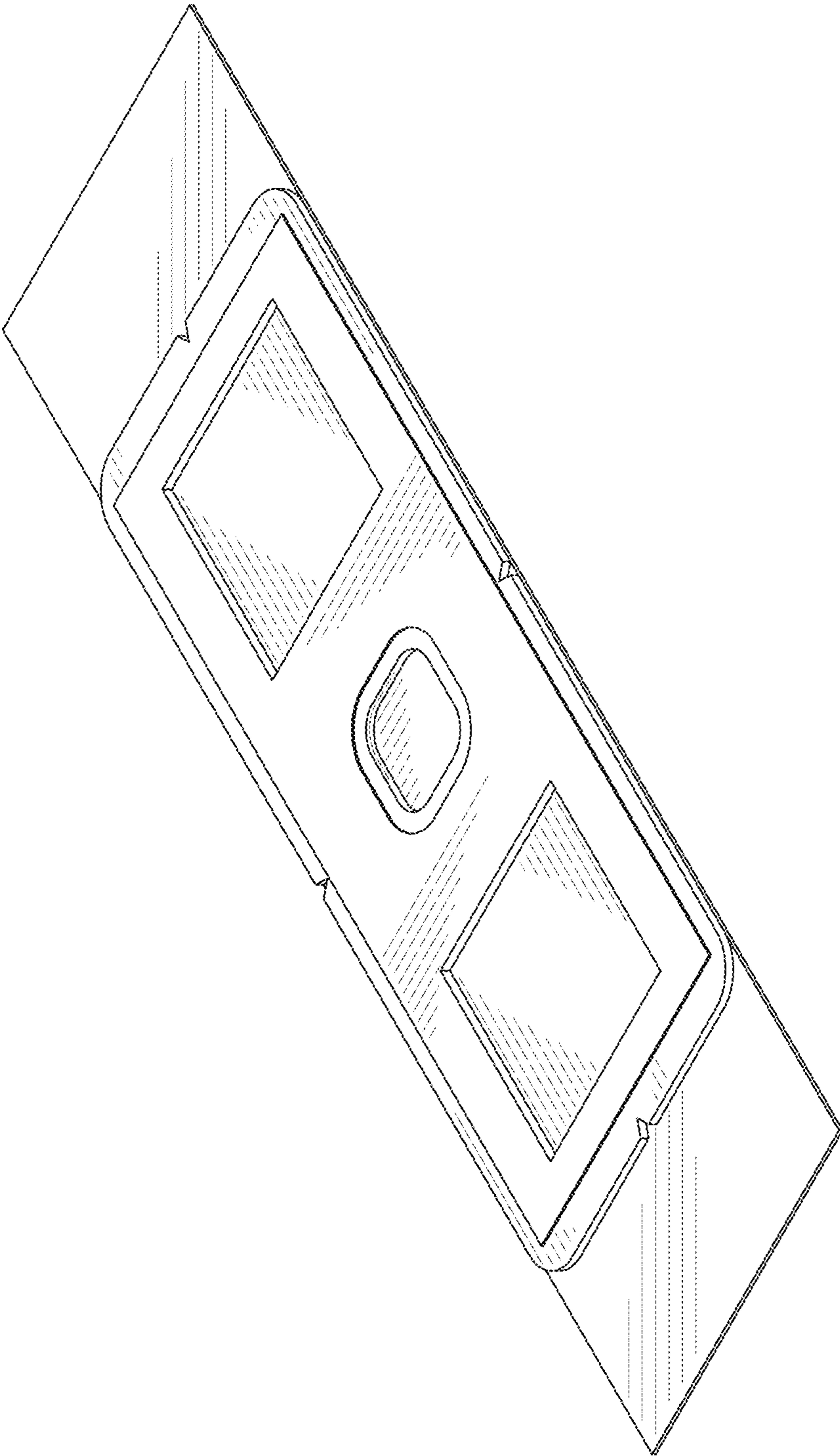


FIG. 20

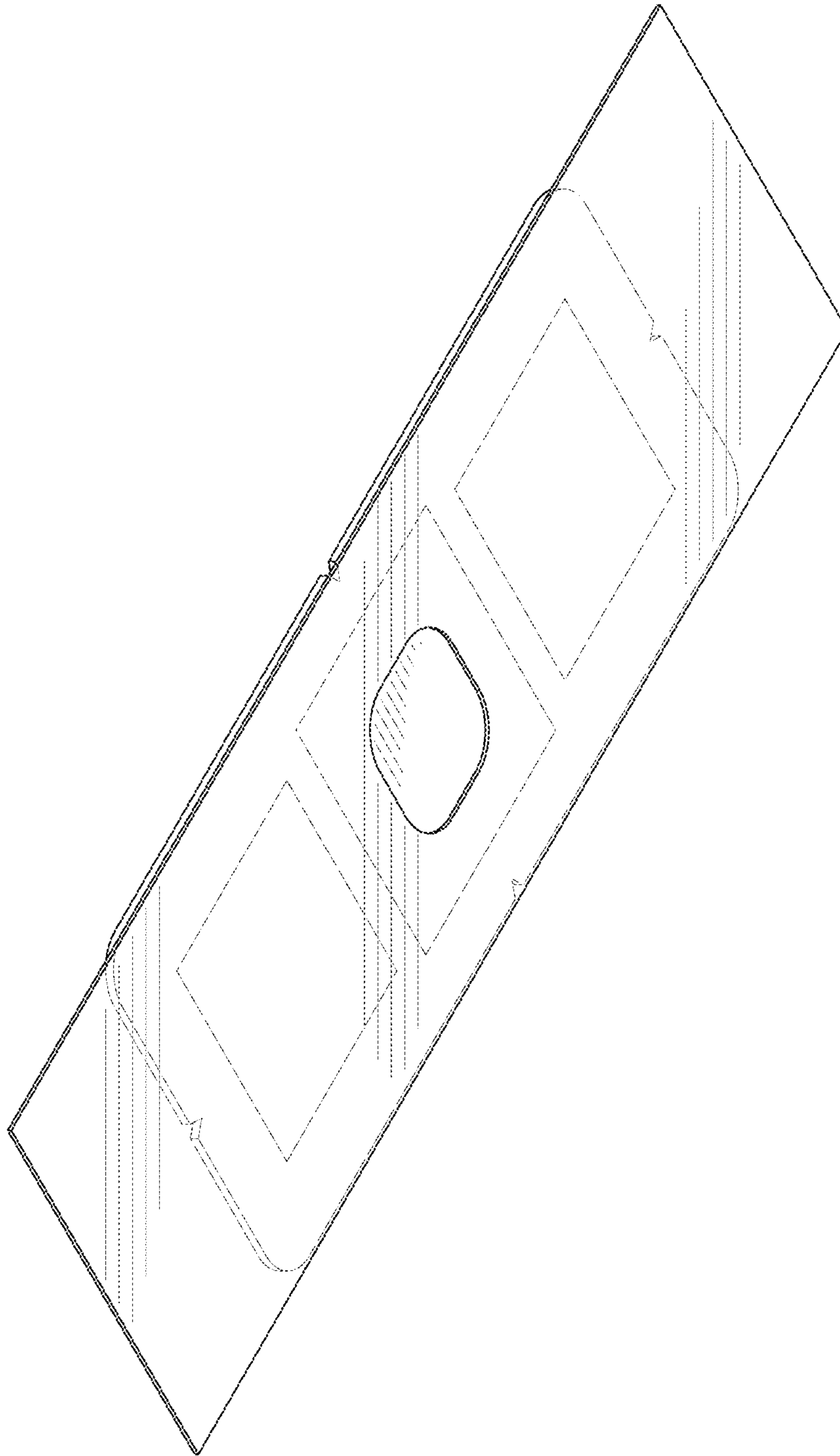


FIG. 21

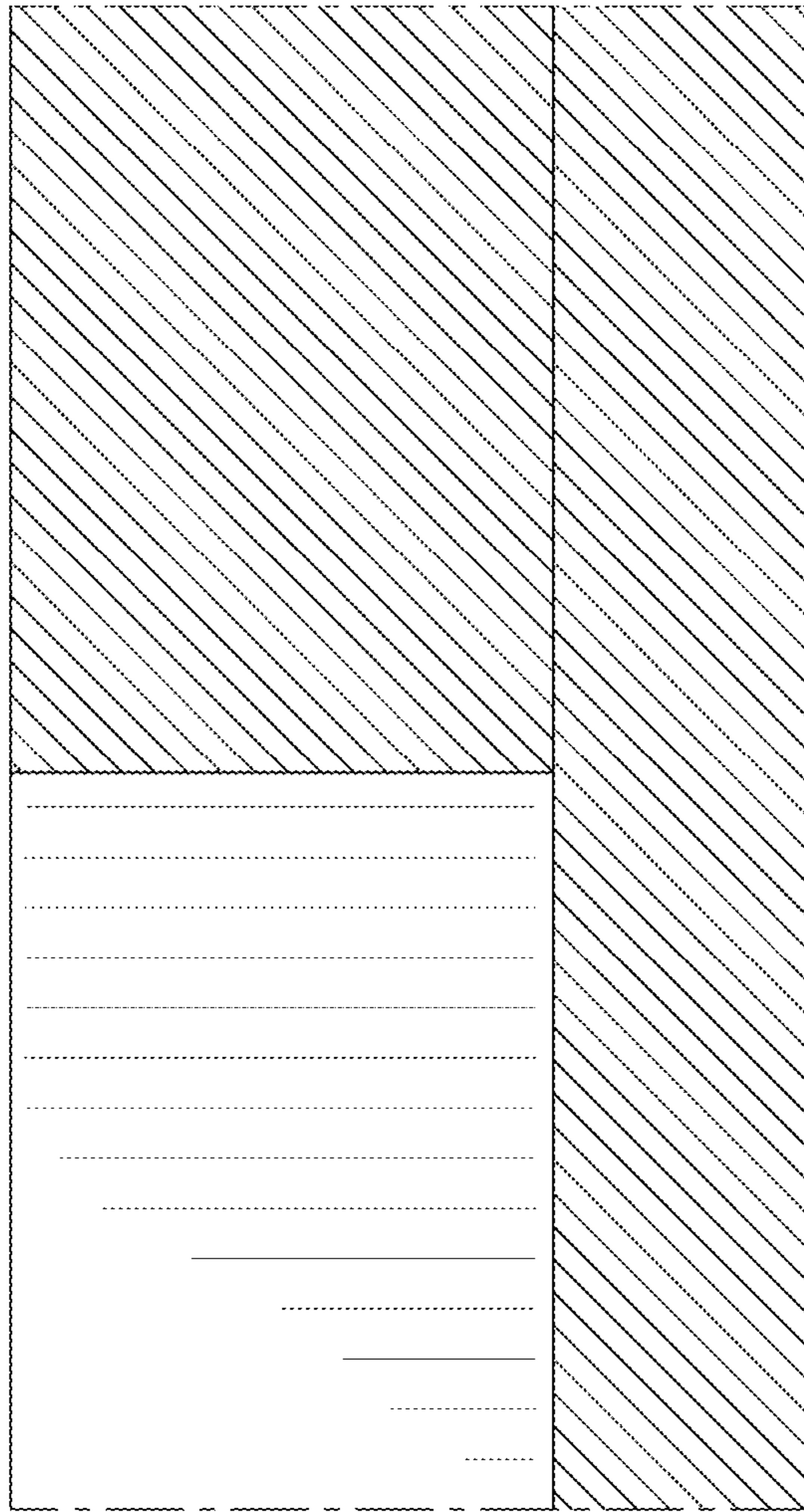


FIG. 22

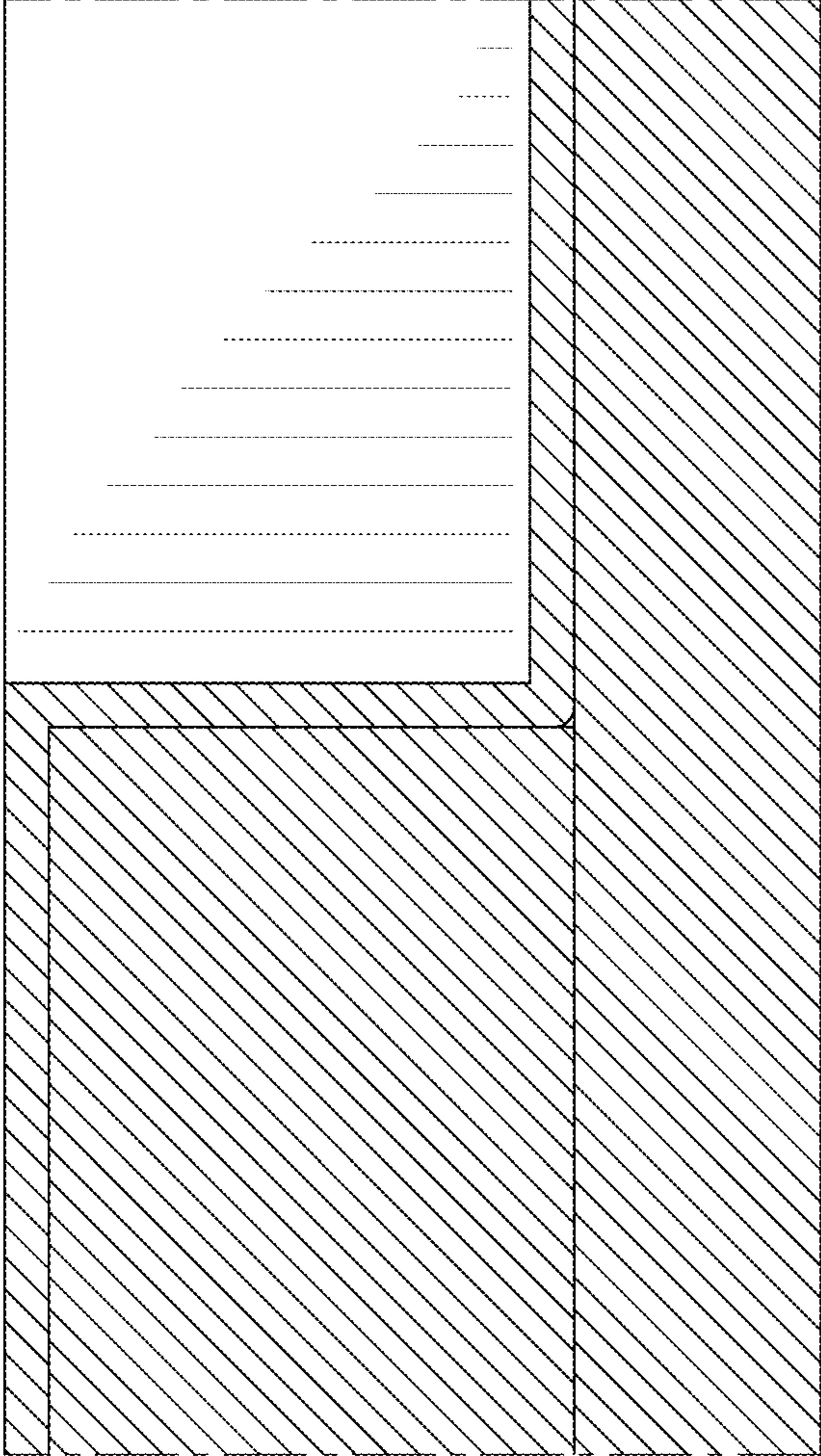


FIG. 23

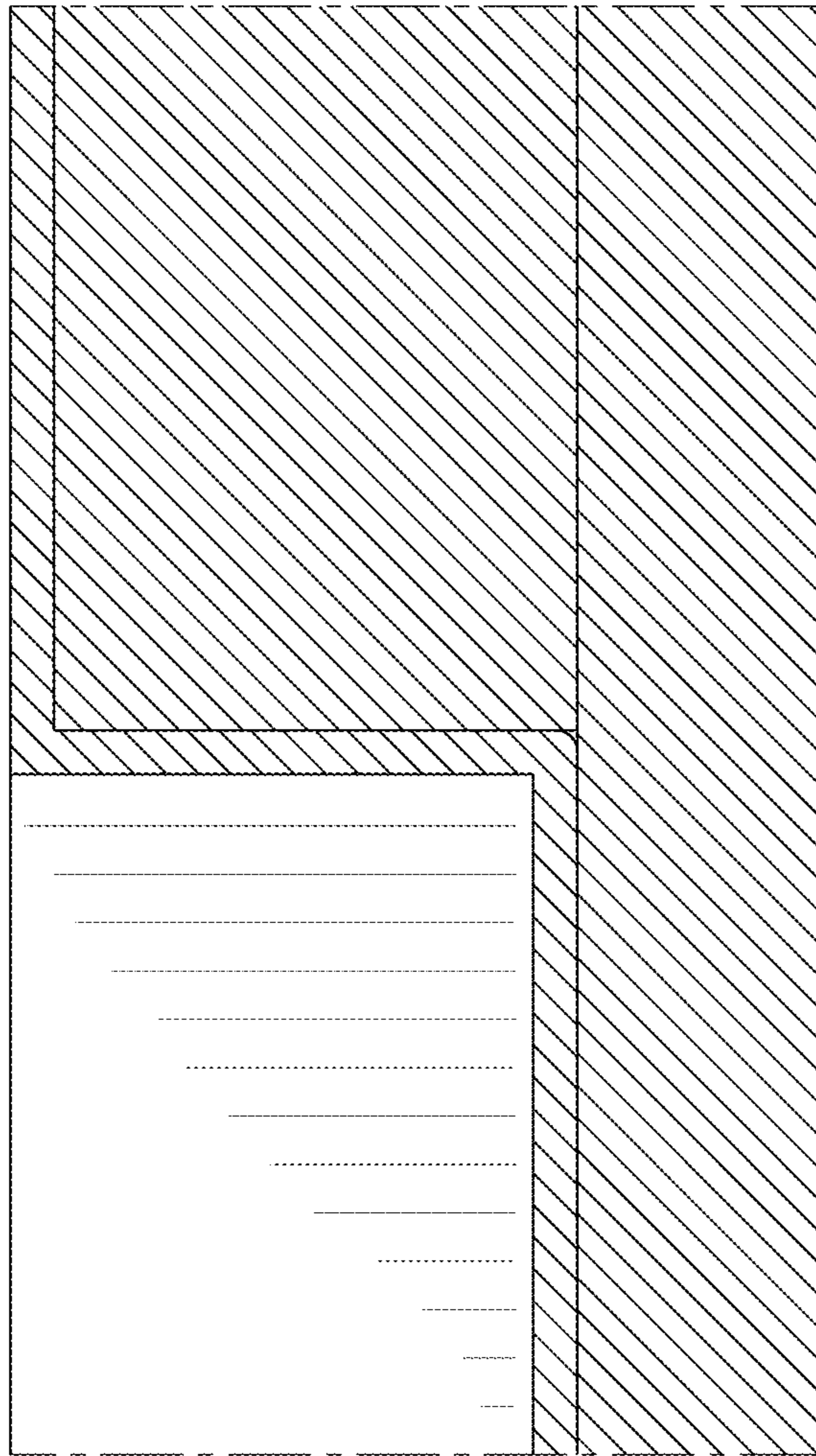


FIG. 24

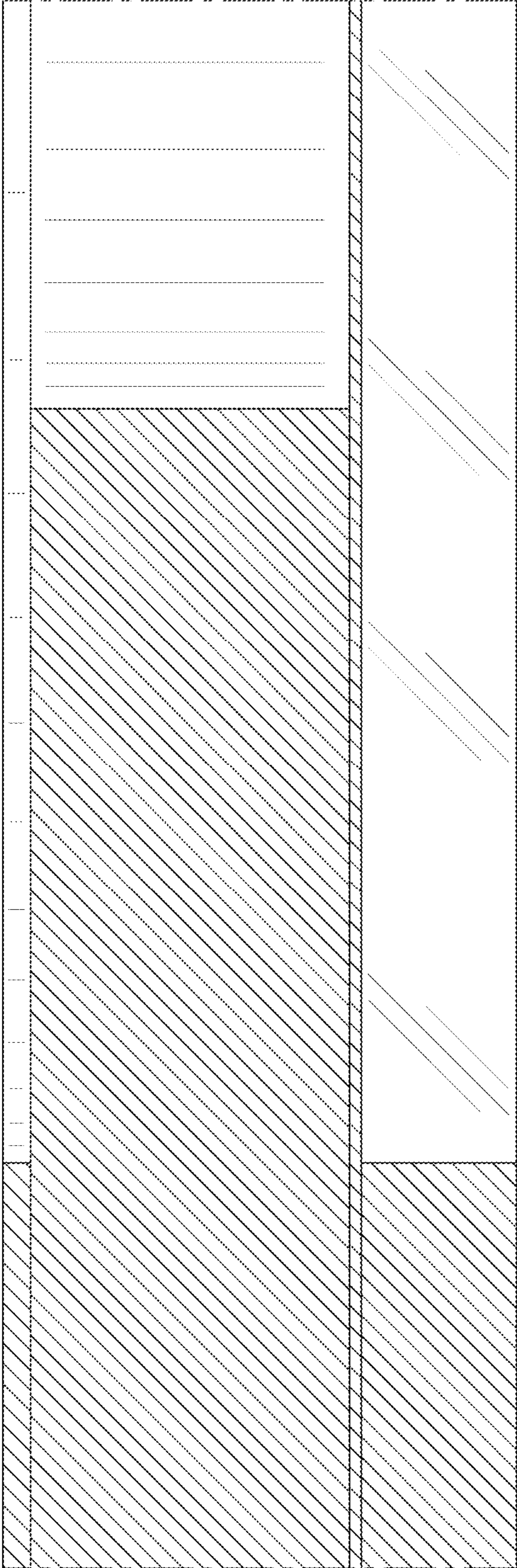


FIG. 25

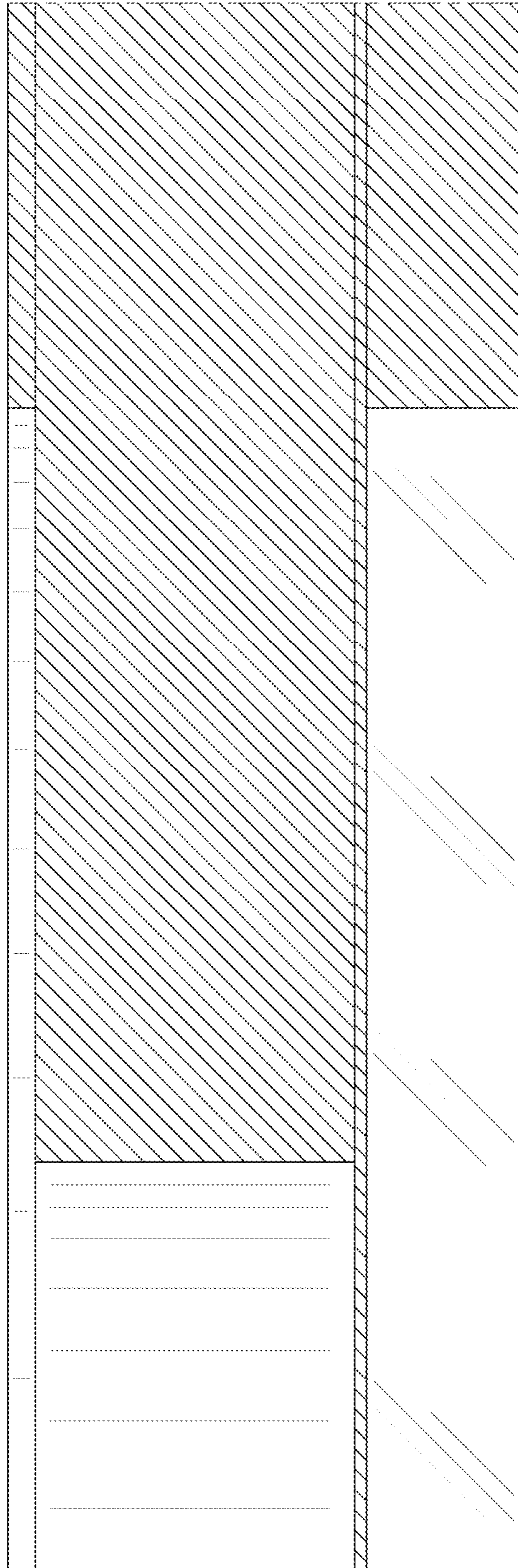


FIG. 26