



US00D901714S

(12) **United States Design Patent** (10) **Patent No.:** **US D901,714 S**  
**Yamauchi et al.** (45) **Date of Patent:** **\*\* Nov. 10, 2020**

(54) **COVER FOR CULTURE VESSEL**  
(71) Applicant: **HAMAMATSU PHOTONICS K.K.**,  
Hamamatsu (JP)  
(72) Inventors: **Toyohiko Yamauchi**, Hamamatsu (JP);  
**Hidenao Yamada**, Hamamatsu (JP)  
(73) Assignee: **HAMAMATSU PHOTONICS K.K.**,  
Hamamatsu (JP)  
(\*\*) Term: **15 Years**  
(21) Appl. No.: **29/649,984**  
(22) Filed: **Jun. 4, 2018**  
(30) **Foreign Application Priority Data**  
Dec. 5, 2017 (JP) ..... 2017-027159  
Dec. 5, 2017 (JP) ..... 2017-027167  
(51) **LOC (12) Cl.** ..... **24-02**  
(52) **U.S. Cl.**  
USPC ..... **D24/224**  
(58) **Field of Classification Search**  
USPC ..... D24/216, 223–227, 229–232; D9/420,  
D9/537, 545, 549, 700, 705, 706;  
D3/203.1, 203.2; D30/129; D7/360, 543,  
D7/552, 584, 602  
CPC .. B01L 3/0275; B01L 3/5085; B01L 3/50825;  
C12M 23/10; C12M 23/12  
See application file for complete search history.

(56) **References Cited**  
U.S. PATENT DOCUMENTS  
D258,761 S \* 3/1981 Graham ..... D24/226  
D292,165 S \* 10/1987 Oh ..... D7/354  
D295,319 S \* 4/1988 Franchere ..... D24/224  
D315,208 S \* 3/1991 Valencia ..... D24/224  
D316,752 S \* 5/1991 Ricketts ..... D24/226  
D316,753 S \* 5/1991 Ricketts ..... D24/224

D421,129 S \* 2/2000 Haynes ..... D24/224  
D473,950 S \* 4/2003 Carlson ..... D24/216  
D501,364 S \* 2/2005 Tranfaglia ..... D7/543  
D563,560 S \* 3/2008 Copeland ..... D24/224  
D568,989 S \* 5/2008 Kammer ..... D24/123  
D738,491 S \* 9/2015 Foley ..... D24/121  
(Continued)

**FOREIGN PATENT DOCUMENTS**

JP D2016-5640 \* 3/2016  
JP D2017-29474 \* 12/2017

*Primary Examiner* — Janice Hallmark  
*Assistant Examiner* — Omeed Agilee  
(74) *Attorney, Agent, or Firm* — Faegre Drinker Biddle &  
Reath LLP

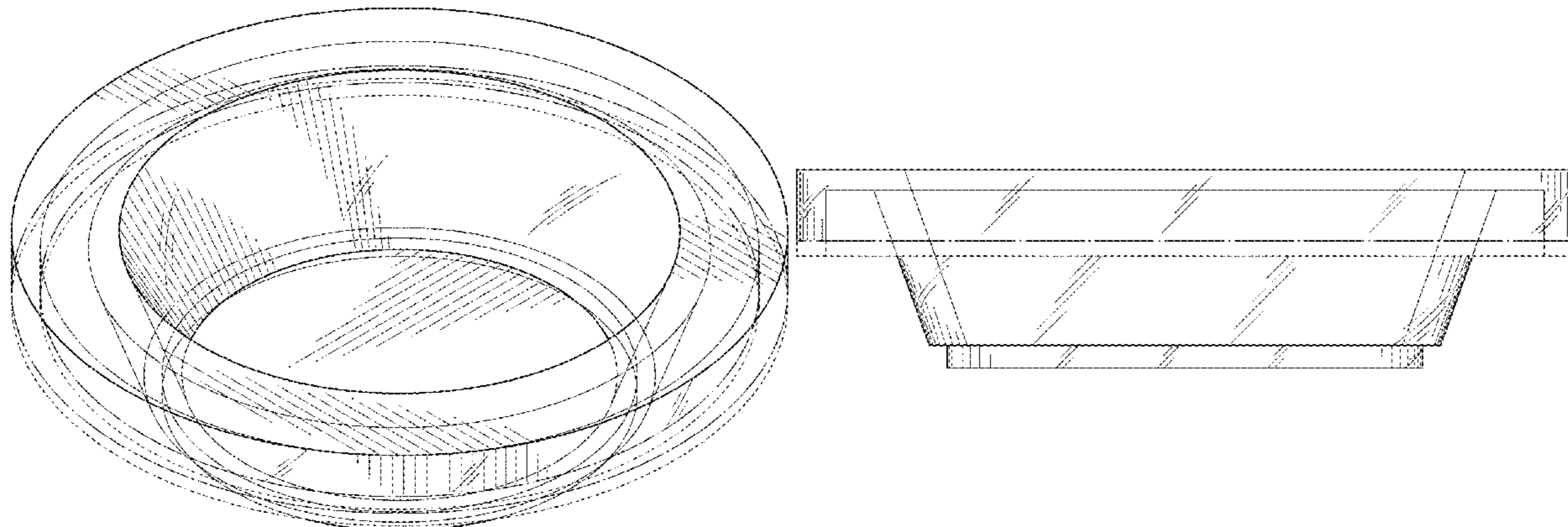
(57) **CLAIM**

The ornamental design for a cover for culture vessel, as shown and described.

**DESCRIPTION**

FIG. 1 is a top perspective view of a cover for culture vessel showing our new design;  
FIG. 2 is a bottom perspective view thereof.  
FIG. 3 is a front view thereof.  
FIG. 4 is a rear view thereof.  
FIG. 5 is a top plan view thereof.  
FIG. 6 is a bottom view thereof.  
FIG. 7 is a right side view thereof.  
FIG. 8 is a left side view thereof; and,  
FIG. 9 is a sectional view taken along the line 9-9 of the cover for culture vessel of FIG. 5.  
The evenly spaced broken lines in the drawings depict portions of the cover for culture vessel that form no part of the claimed design.  
The long dash-short dash broken lines in the drawings depict the boundaries between the claimed design and unclaimed portions that form no part of the claimed design.

**1 Claim, 9 Drawing Sheets**



(56)

**References Cited**

U.S. PATENT DOCUMENTS

D767,952 S \* 10/2016 Ioncescu ..... D7/647  
D823,643 S \* 7/2018 Paul ..... D7/584

\* cited by examiner

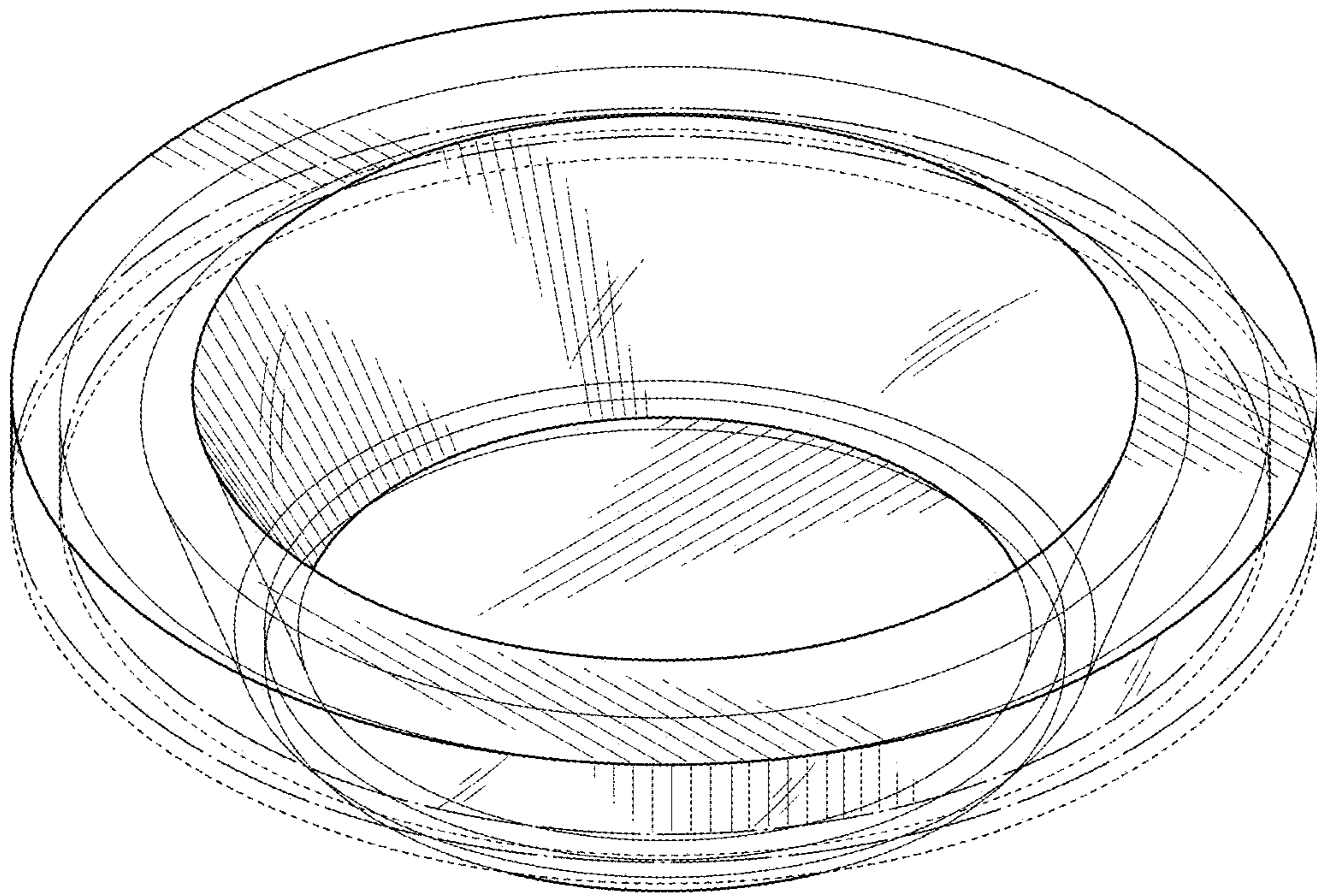


FIG.1

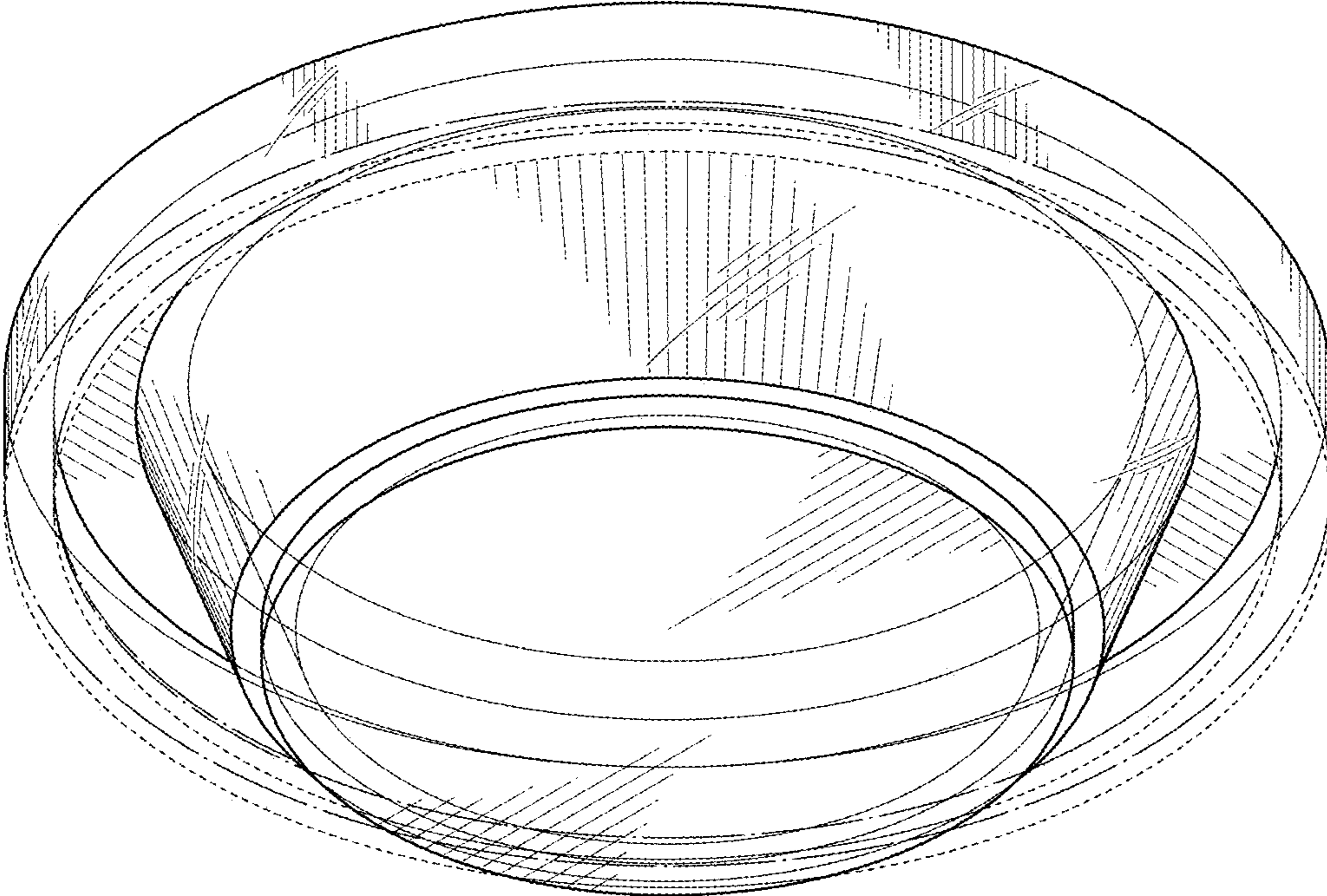


FIG.2

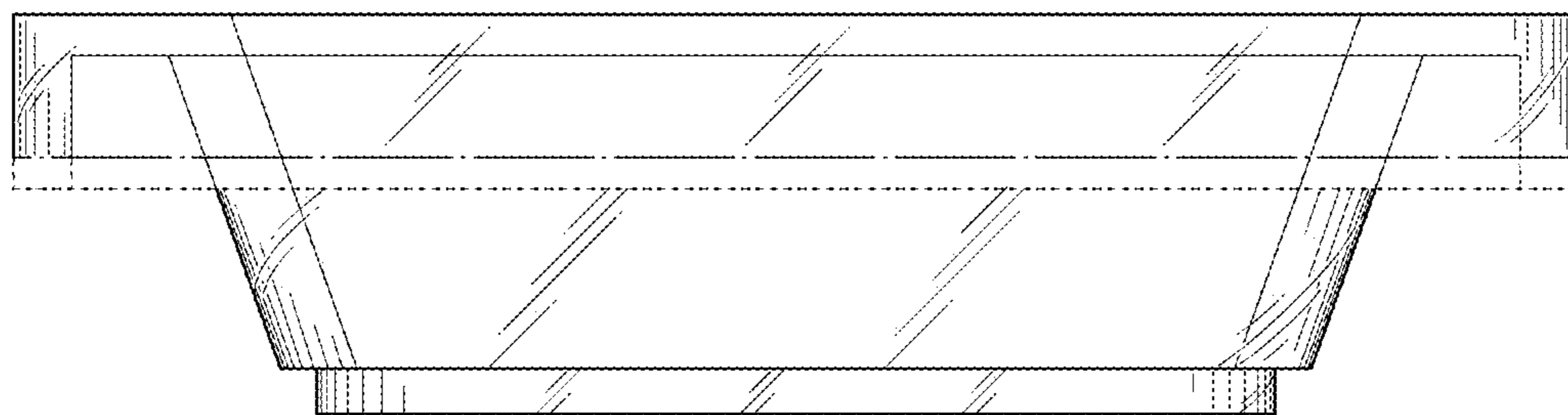


FIG.3

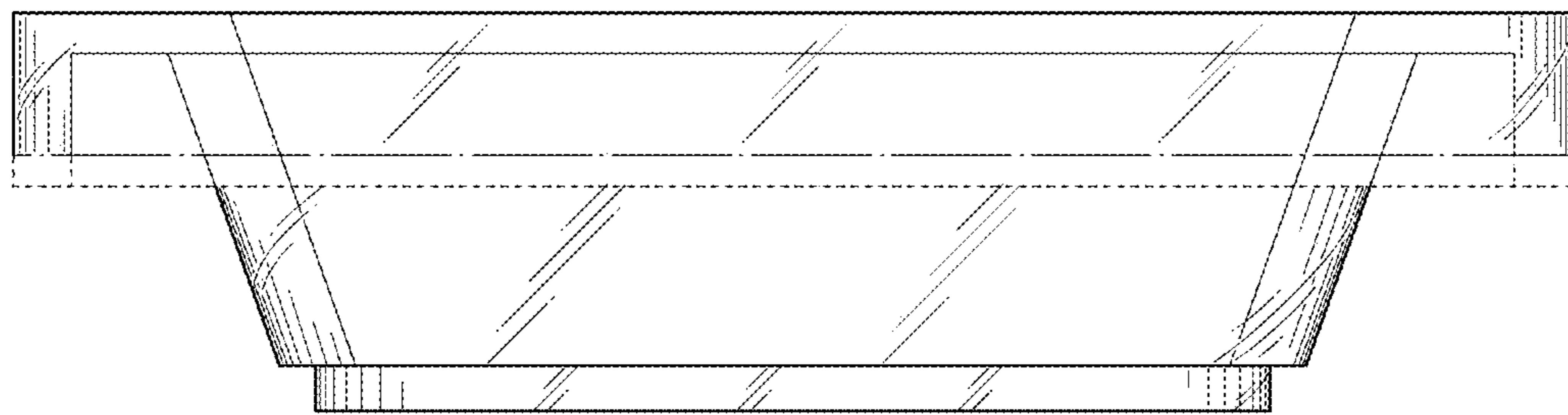


FIG.4

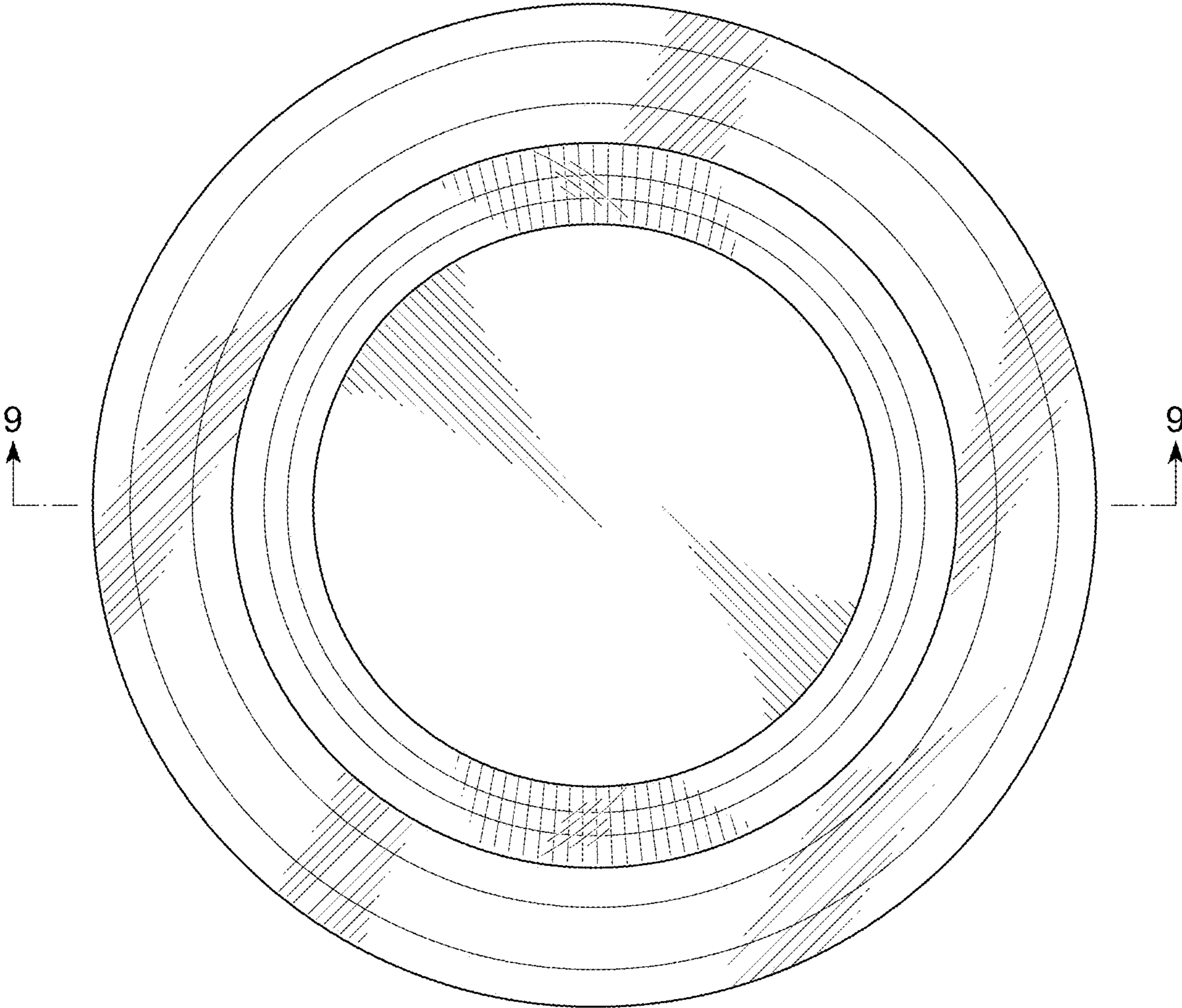


FIG.5

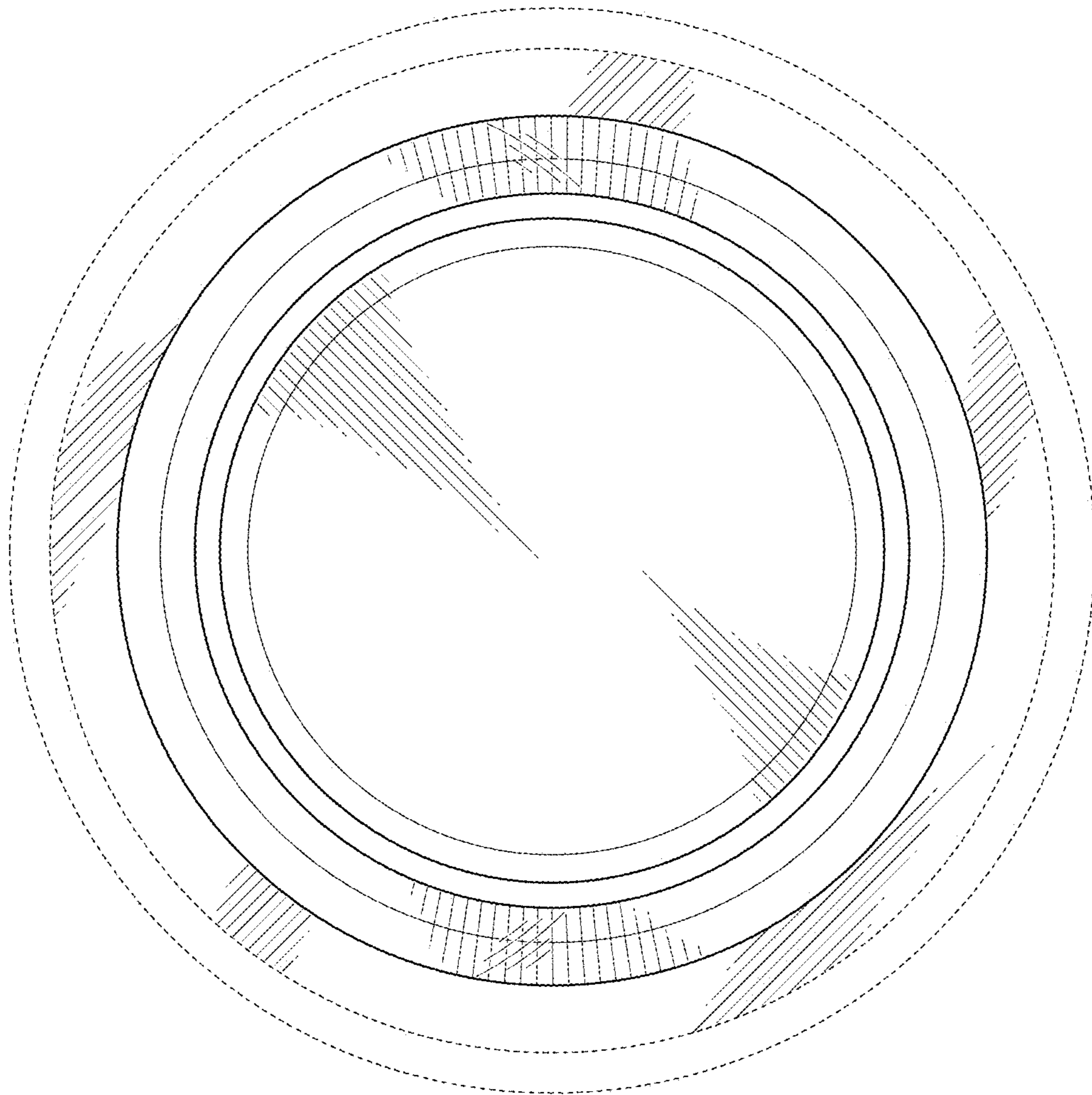


FIG.6



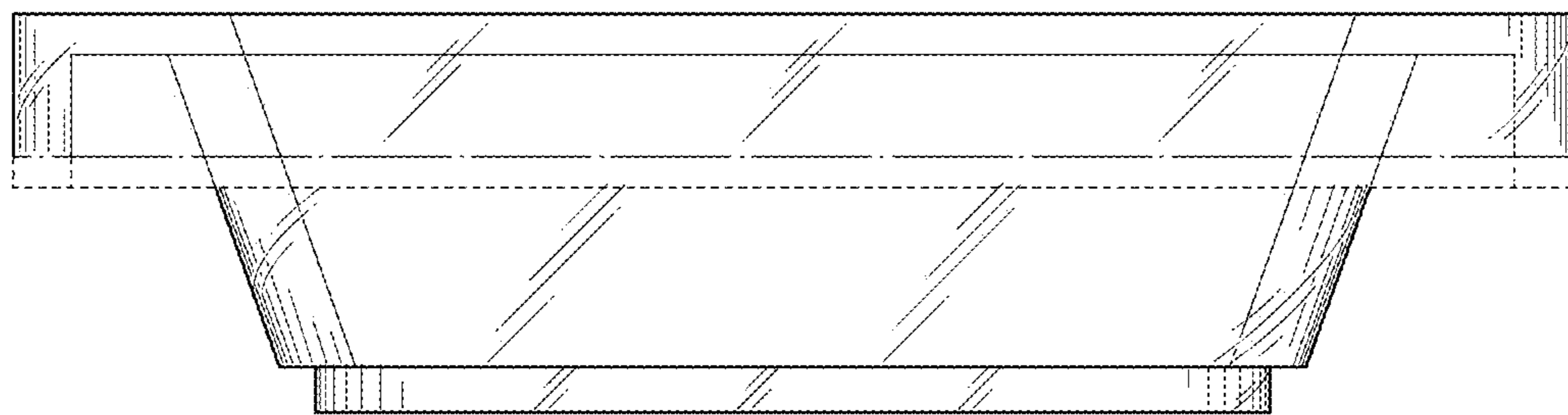


FIG.7

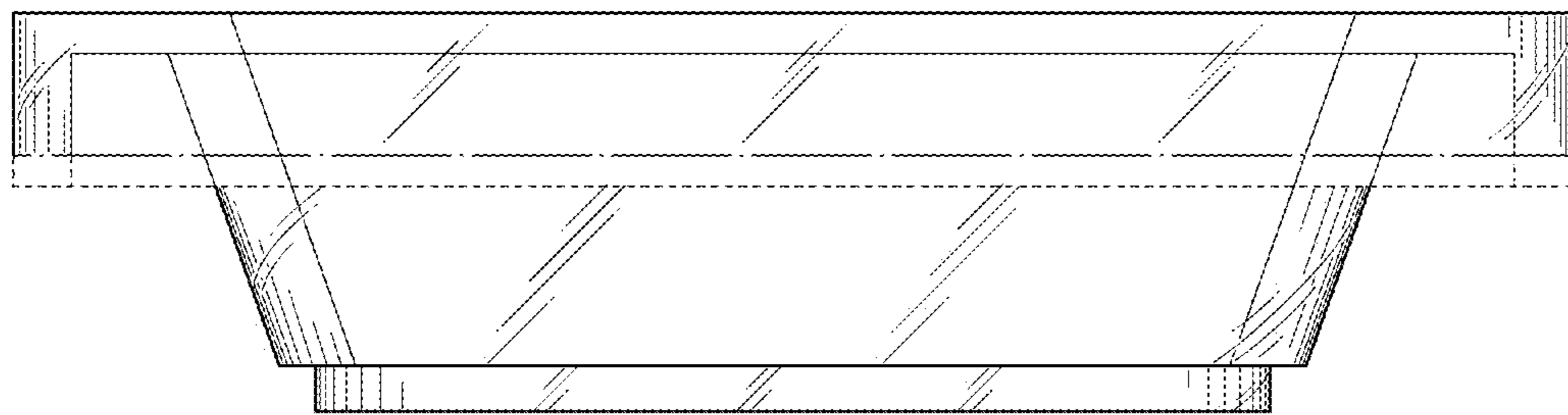


FIG.8

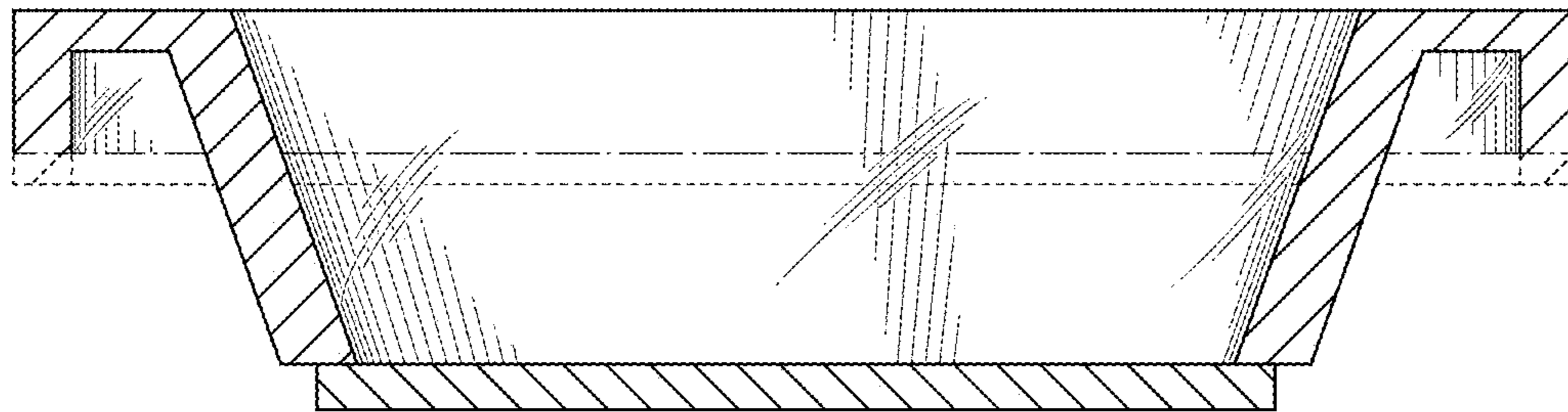


FIG. 9