



US00D901713S

(12) **United States Design Patent** (10) **Patent No.:** **US D901,713 S**
Nicoll (45) **Date of Patent:** **** Nov. 10, 2020**

(54) **UV STERILIZER**
(71) Applicant: **Paul Nicoll**, Twickenham (GB)
(72) Inventor: **Paul Nicoll**, Twickenham (GB)
(**) Term: **15 Years**
(21) Appl. No.: **29/739,701**
(22) Filed: **Jun. 29, 2020**
(51) **LOC (12) Cl.** **24-02**
(52) **U.S. Cl.**
USPC **D24/217**
(58) **Field of Classification Search**
USPC D24/176, 216, 217, 218, 219, 231, 232,
D24/227, 228, 229, 230; D22/117;
D13/108; D3/208, 201, 203.1, 203.2,
D3/203.3, 203.4, 203.6, 294; D27/191;
D9/434, 435, 444, 445, 452, 454, 500,
D9/503, 504, 516, 522, 529, 549, 558,
D9/682, 687, 688, 690, 691, 715, 719,
D9/723, 724, 414, 418, 419, 420, 423,
D9/430, 428, 432; D32/1, 25; D7/629;
D6/528, 534
CPC B05B 11/0097; B05B 11/3001; B05B
11/3009; B05B 11/3047; B05B 11/3052;
B05B 11/3056; B05B 11/3057; B05B
1/14; B05C 17/002; B08B 1/006; G01F
11/028; A61L 2/17; A61L 2/18; A61L
2/24; A61L 2/26; A61L 2/025; A61L
2202/10; A61L 2202/11; A61L 2202/14;
A61L 2202/23; A61L 2202/24; A61L
2202/122; A61L 2202/182
See application file for complete search history.

D846,142 S 4/2019 Yellen et al.
D862,723 S * 10/2019 Ouyang D24/217
D868,992 S * 12/2019 Ma D24/217
D883,511 S * 5/2020 Li D24/217
D888,268 S * 6/2020 Oh D24/217
D889,681 S * 7/2020 Maw D24/217
D890,610 S * 7/2020 Neubauer D9/504
D891,773 S * 8/2020 Meyer D3/294
D891,938 S * 8/2020 Weinrich D9/723
D892,045 S * 8/2020 Zhang D13/108

(Continued)

OTHER PUBLICATIONS

UV Sanitizer | UV Sterilizer | Hospital Strength Sterilizer Using UV Light | Sterilizes Virtually Anything in Minutes with No Cleaning Required | Touch Screen Control | FCC Approved (White Touch), https://www.amazon.co.uk/dp/B089BZ672M?ref=myi_title_dp.

Primary Examiner — Samantha Q Lawrence
(74) *Attorney, Agent, or Firm* — KA Filing LLC; Cynthia Flanigan

(57) **CLAIM**

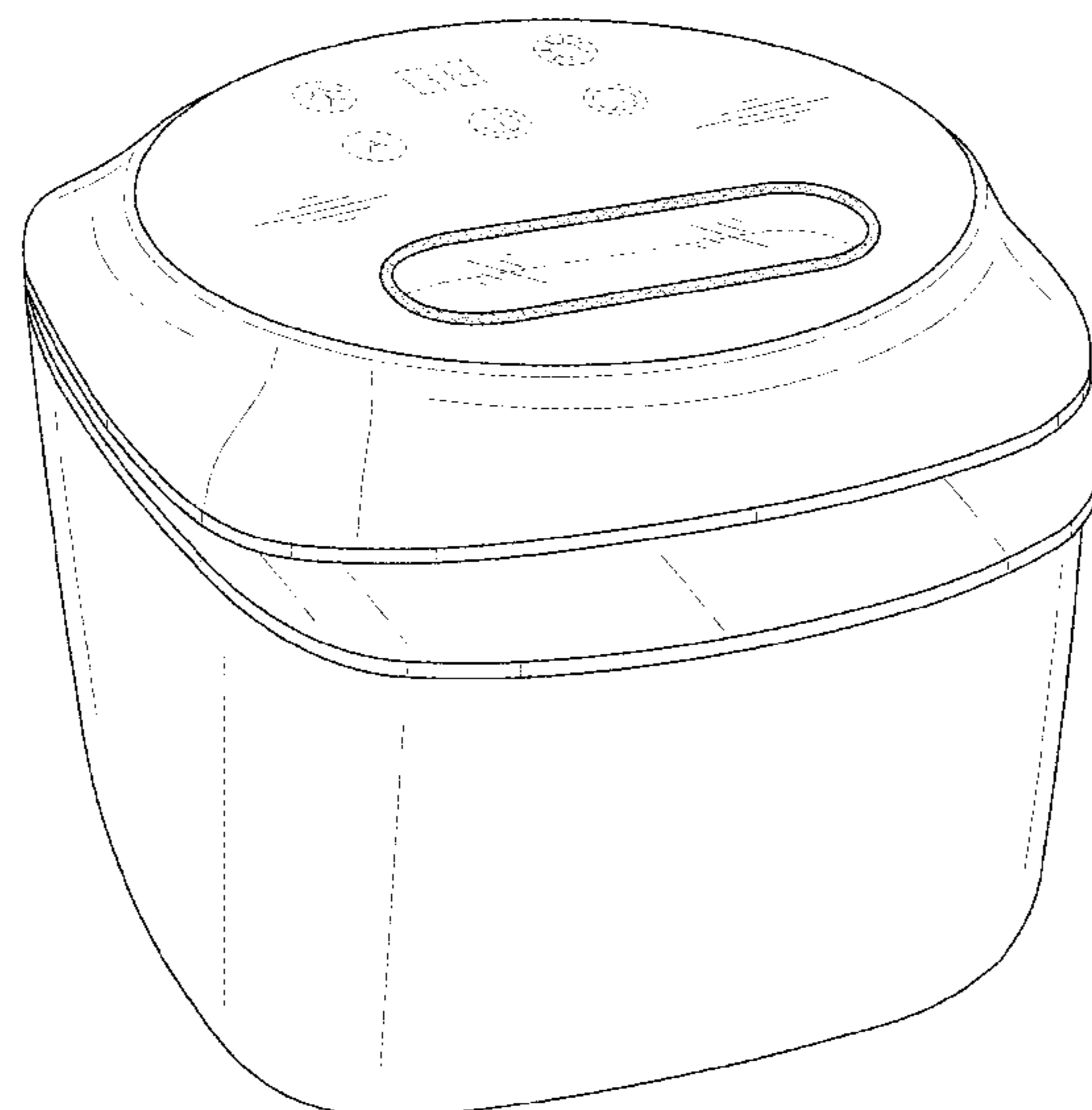
I claim the ornamental design for a UV sterilizer, as shown and described.

DESCRIPTION

FIG. 1 is a Perspective view of a UV sterilizer showing my new design;
FIG. 2 is a Front view thereof;
FIG. 3 is a Back view thereof;
FIG. 4 is a Right-side view thereof;
FIG. 5 is a Left-side view thereof;
FIG. 6 is a Top view thereof; and,
FIG. 7 is a Bottom view thereof.
The stippling shown in FIGS. 1 and 6 indicates a contrast in appearance.
The broken lines shown In FIGS. 1-7 illustrate portions of the UV sterilizer that form no part of the claimed design.

1 Claim, 7 Drawing Sheets

(56) **References Cited**
U.S. PATENT DOCUMENTS
D584,417 S 1/2009 Masee
D704,349 S * 5/2014 Williams D24/217
D773,302 S * 12/2016 Henriksson D9/504



(56)

References Cited

U.S. PATENT DOCUMENTS

D892,626 S * 8/2020 Staab D9/529
D893,740 S * 8/2020 Lv D24/217

* cited by examiner

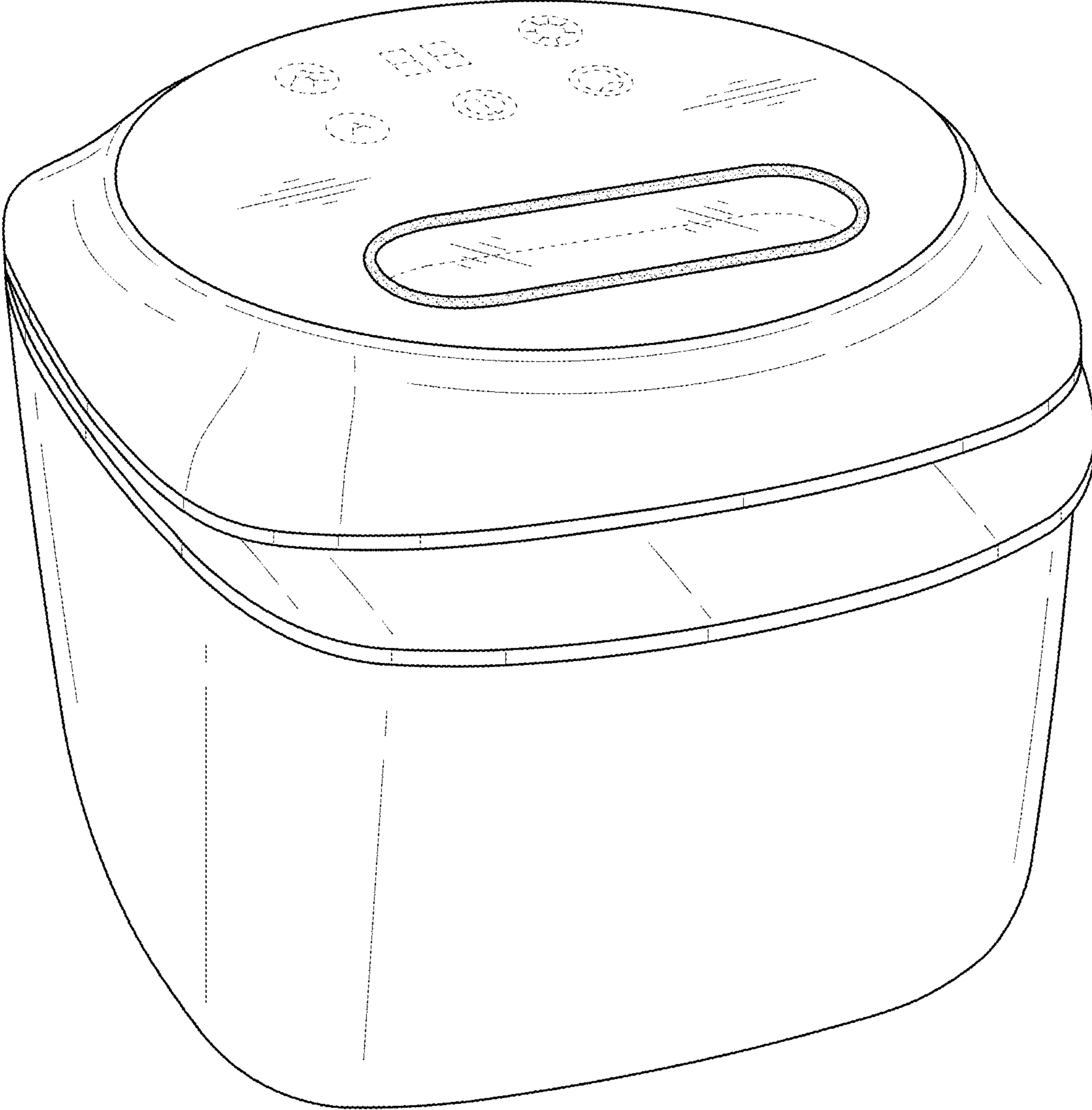


FIG. 1

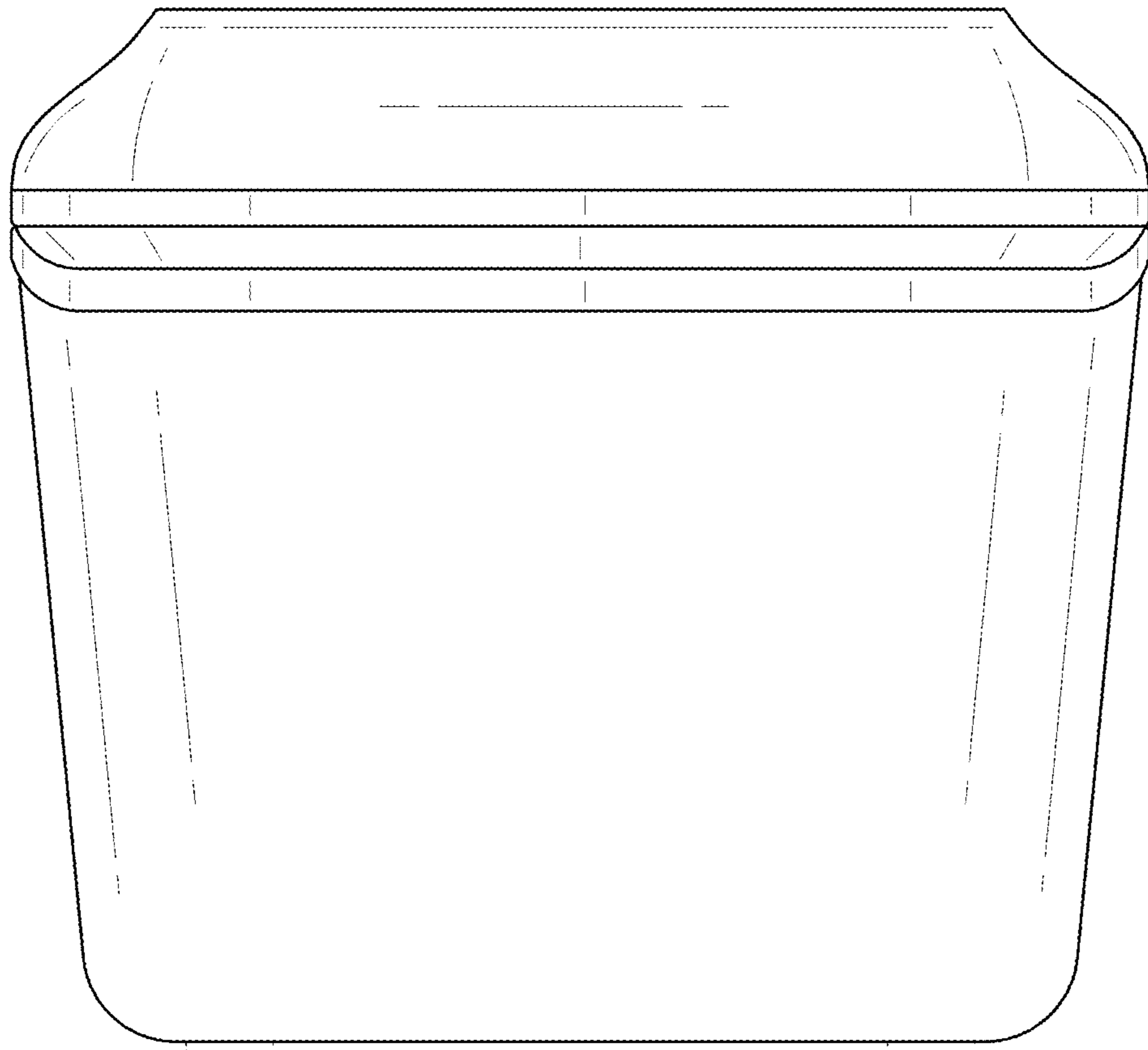


FIG. 2

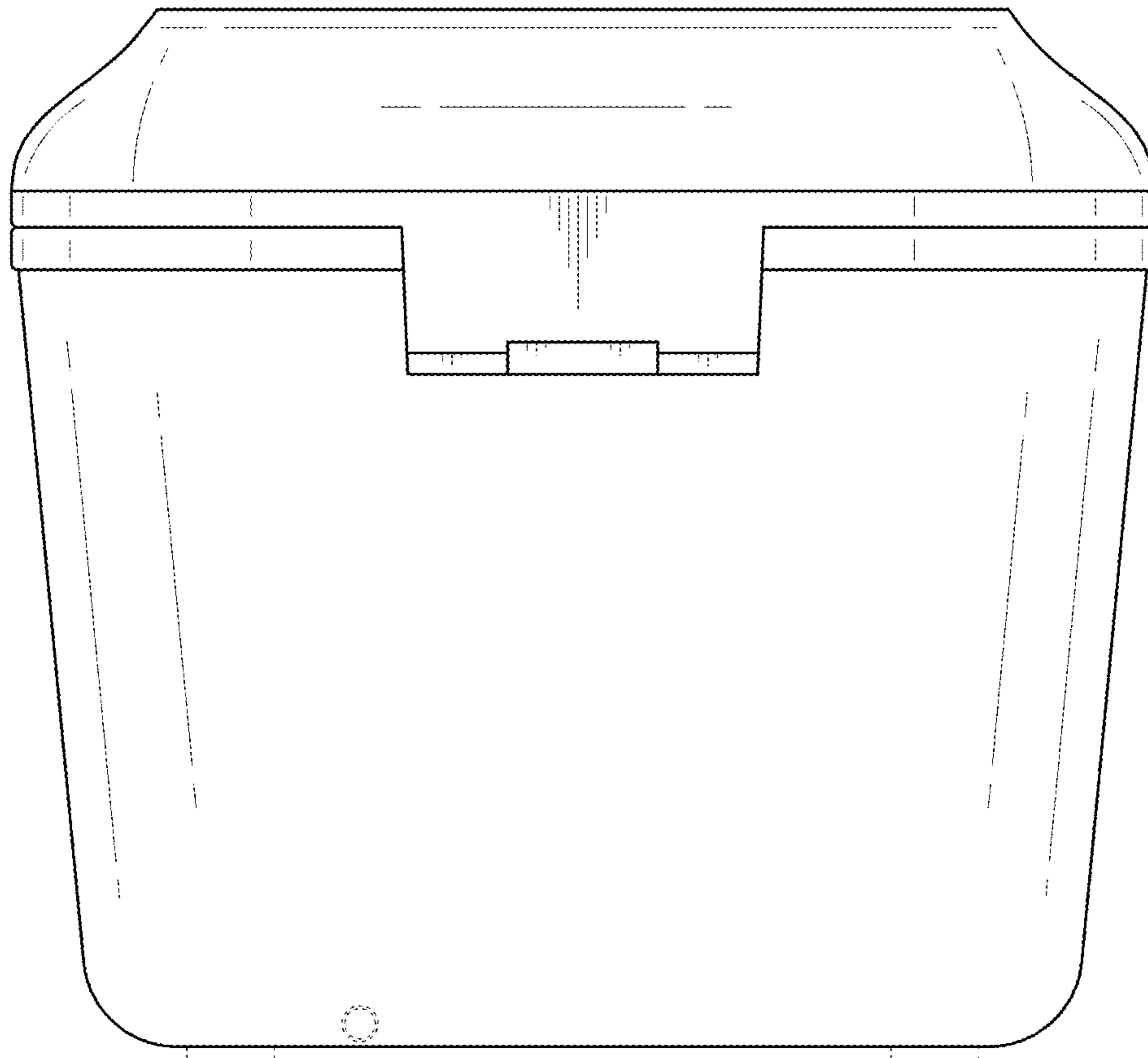


FIG. 3

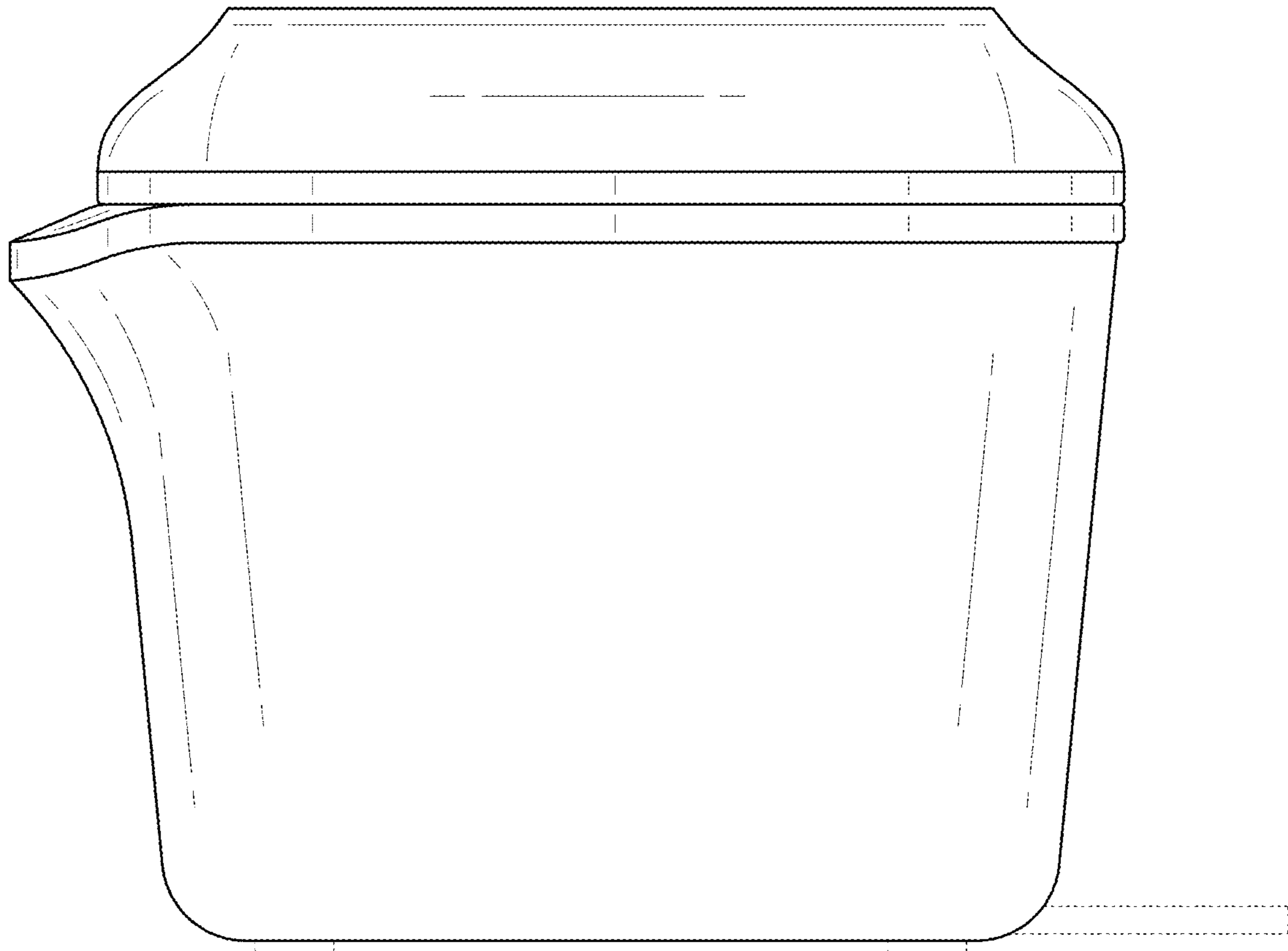


FIG. 4

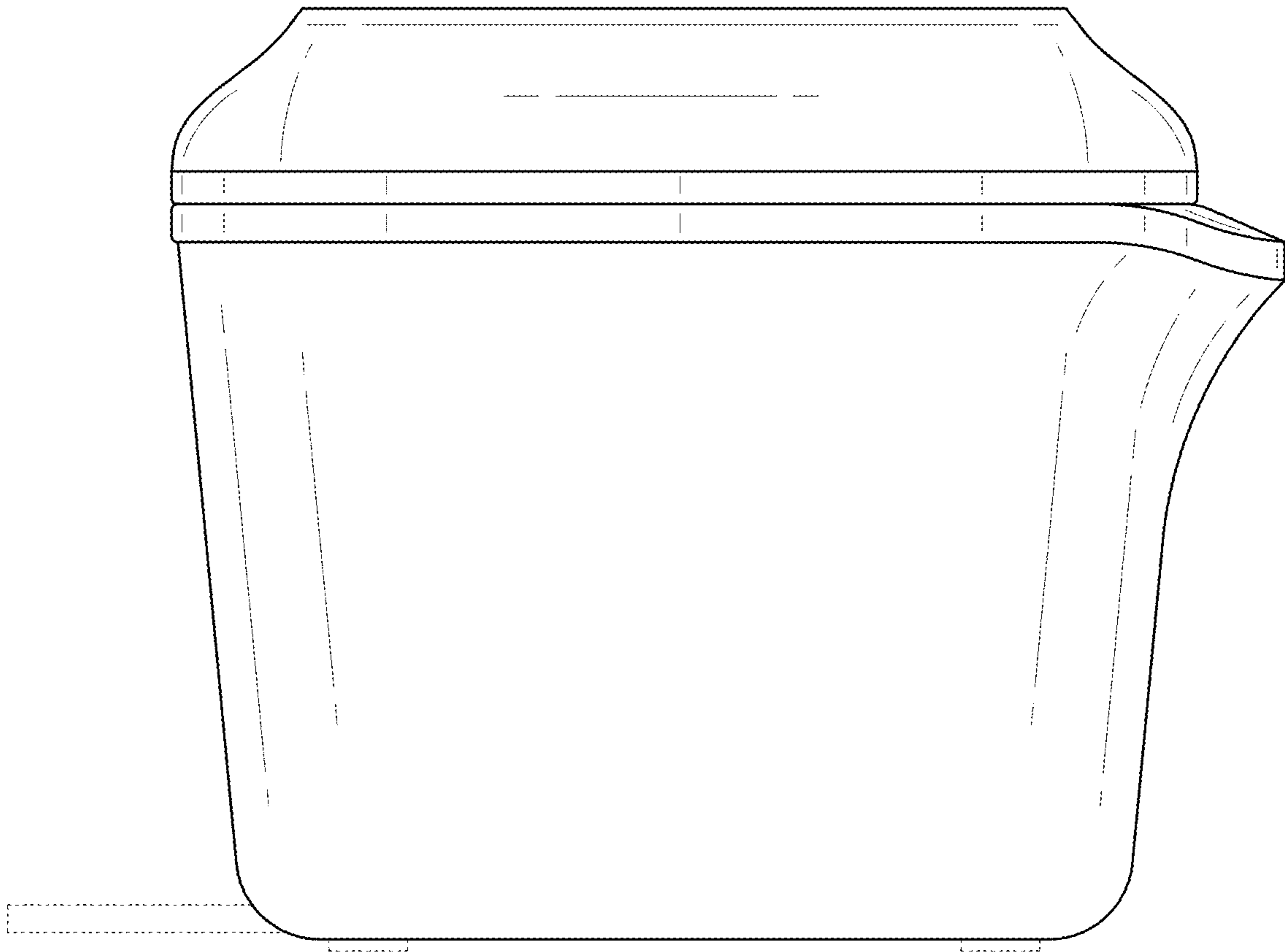


FIG. 5

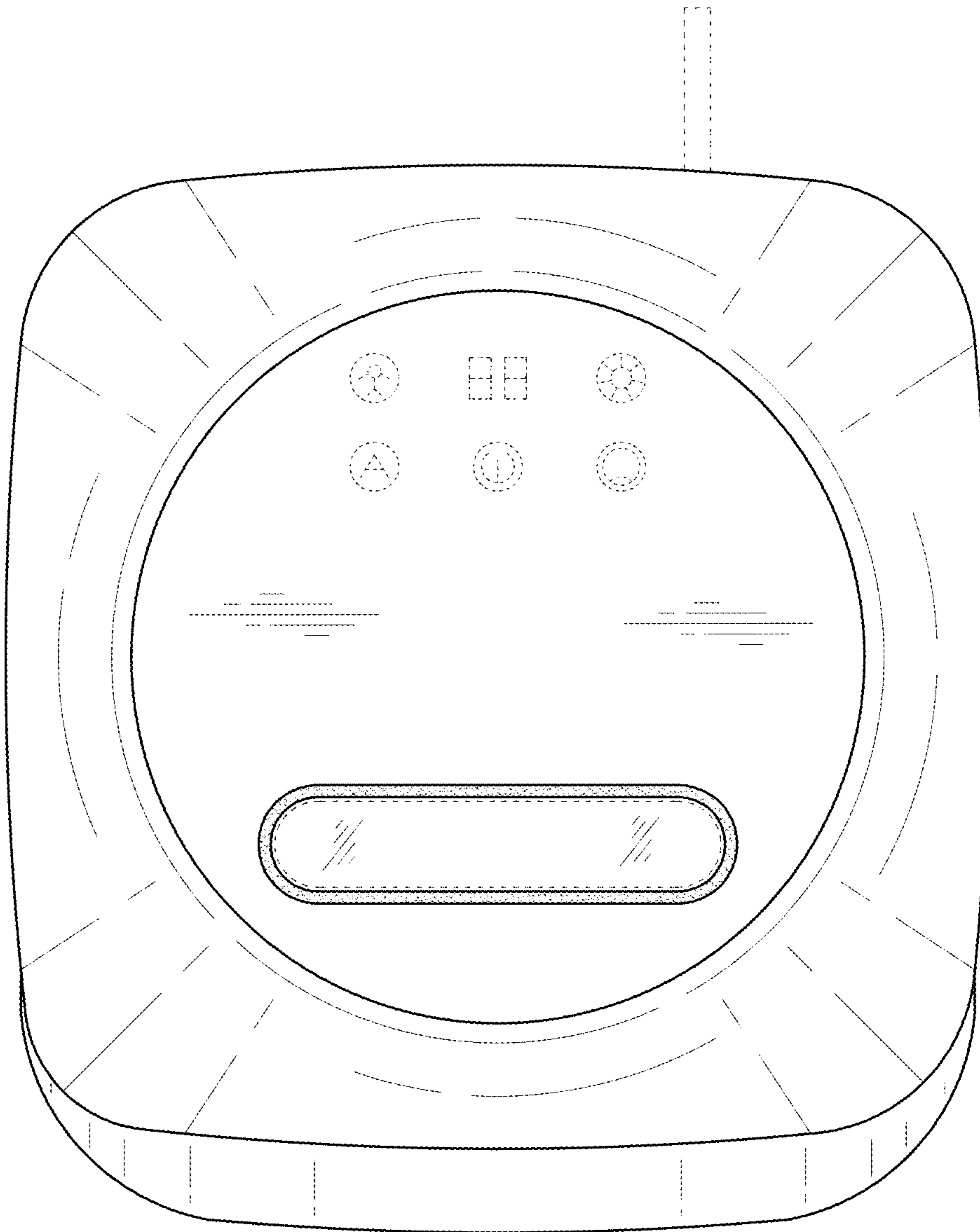


FIG. 6

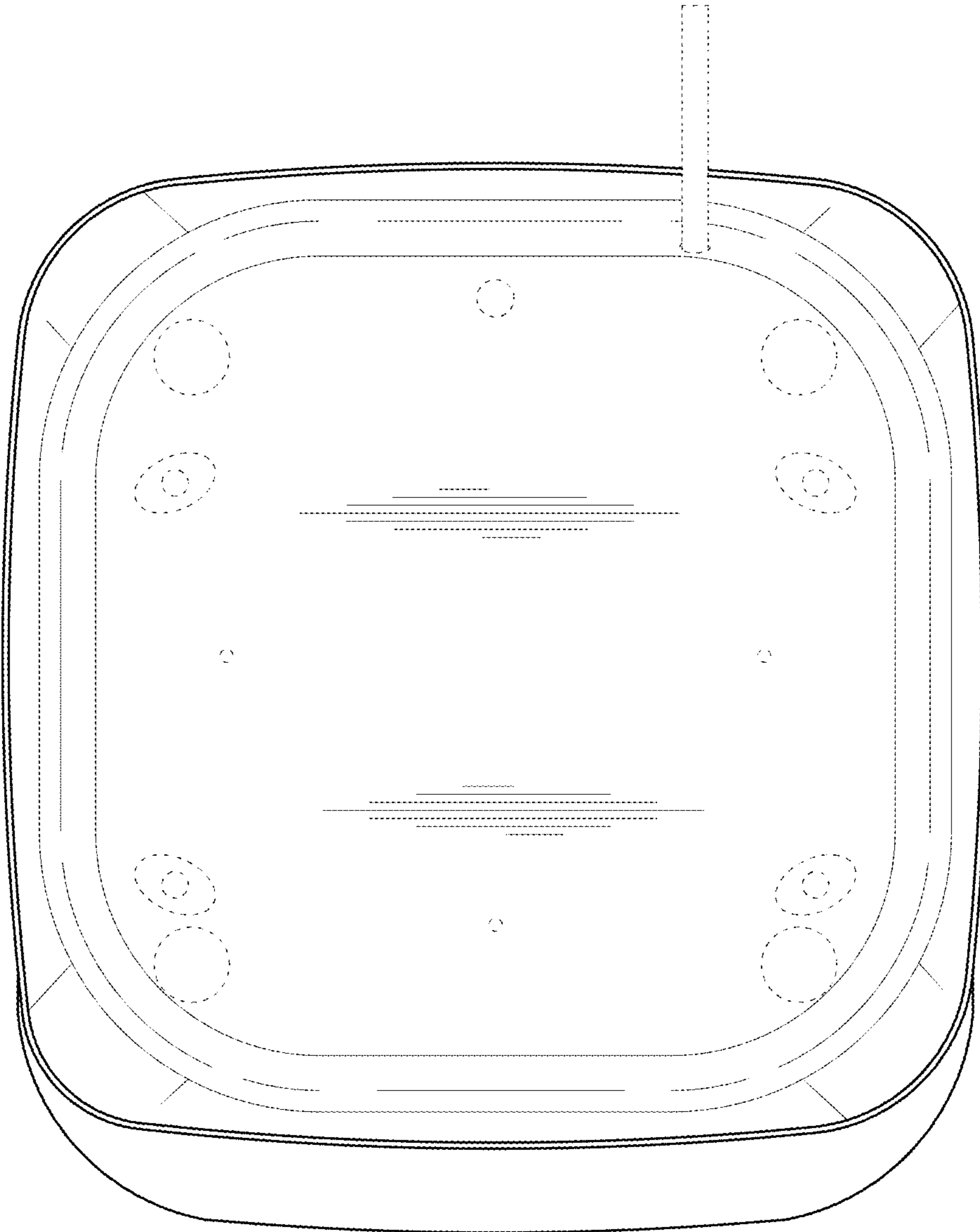


FIG. 7