



US00D901712S

(12) **United States Design Patent** (10) **Patent No.:** **US D901,712 S**  
**Nicoll** (45) **Date of Patent:** **\*\* Nov. 10, 2020**

(54) **UV STERILIZER**  
(71) Applicant: **Paul Nicoll**, Twickenham (GB)  
(72) Inventor: **Paul Nicoll**, Twickenham (GB)  
(\*\*) Term: **15 Years**  
(21) Appl. No.: **29/739,699**  
(22) Filed: **Jun. 29, 2020**  
(51) **LOC (12) Cl.** ..... **24-02**  
(52) **U.S. Cl.**  
USPC ..... **D24/217**  
(58) **Field of Classification Search**  
USPC ..... D24/176, 216, 217, 218, 219, 231, 232,  
D24/227, 228, 229, 230; D22/117;  
D13/108; D3/208, 201, 203.1, 203.2,  
D3/203.3, 203.4, 203.6, 294; D27/191;  
D9/434, 435, 444, 445, 452, 454, 500,  
D9/503, 504, 516, 522, 529, 549, 558,  
D9/682, 687, 688, 690, 691, 715, 719,  
D9/723, 724, 414, 418, 419, 420, 423,  
D9/430, 428, 432; D32/1, 25; D7/629;  
D6/528, 534  
CPC ..... B05B 11/0097; B05B 11/3001; B05B  
11/3009; B05B 11/3047; B05B 11/3052;  
B05B 11/3056; B05B 11/3057; B05B  
1/14; B05C 17/002; B08B 1/006; G01F  
11/028; A61L 2/17; A61L 2/18; A61L  
2/24; A61L 2/26; A61L 2/025; A61L  
2202/10; A61L 2202/11; A61L 2202/14;  
A61L 2202/23; A61L 2202/24; A61L  
2202/122; A61L 2202/182  
See application file for complete search history.

D704,350 S \* 5/2014 Lau ..... D24/217  
D846,142 S \* 4/2019 Iris et al.  
D857,917 S \* 8/2019 Mead ..... D24/233  
D862,723 S \* 10/2019 Ouyang ..... D24/217  
D865,180 S \* 10/2019 Bauer ..... D24/176  
D883,511 S \* 5/2020 Li ..... D24/217  
D888,268 S \* 6/2020 Oh ..... D24/217  
D891,773 S \* 8/2020 Meyer ..... D3/294  
D892,045 S \* 8/2020 Zhang ..... D13/108  
D892,626 S \* 8/2020 Staab ..... D9/529  
D893,740 S \* 8/2020 Lv ..... D24/217

**OTHER PUBLICATIONS**

[https://www.amazon.com/Sterilizer-Sanitiser-Hospital-Strength-Sterilizes/product-reviews/B07W7HSDPZ/ref=cm\\_cr\\_getr\\_d\\_paging\\_btm\\_next\\_78?ie=UTF8&reviewerType=all\\_reviews&sortBy=recent&pageNumber=78](https://www.amazon.com/Sterilizer-Sanitiser-Hospital-Strength-Sterilizes/product-reviews/B07W7HSDPZ/ref=cm_cr_getr_d_paging_btm_next_78?ie=UTF8&reviewerType=all_reviews&sortBy=recent&pageNumber=78) Nov. 14, 2019 (Year: 2019).\*  
UV Sterilizer and Dryer <https://coraluv.com/product/coraluv/> Jun. 16, 2020 (Year: 2020).\*

(Continued)

*Primary Examiner* — Samantha Q Lawrence  
(74) *Attorney, Agent, or Firm* — KA Filing LLC; Cynthia Flanigan

(57) **CLAIM**

I claim the ornamental design for a UV sterilizer, as shown and described.

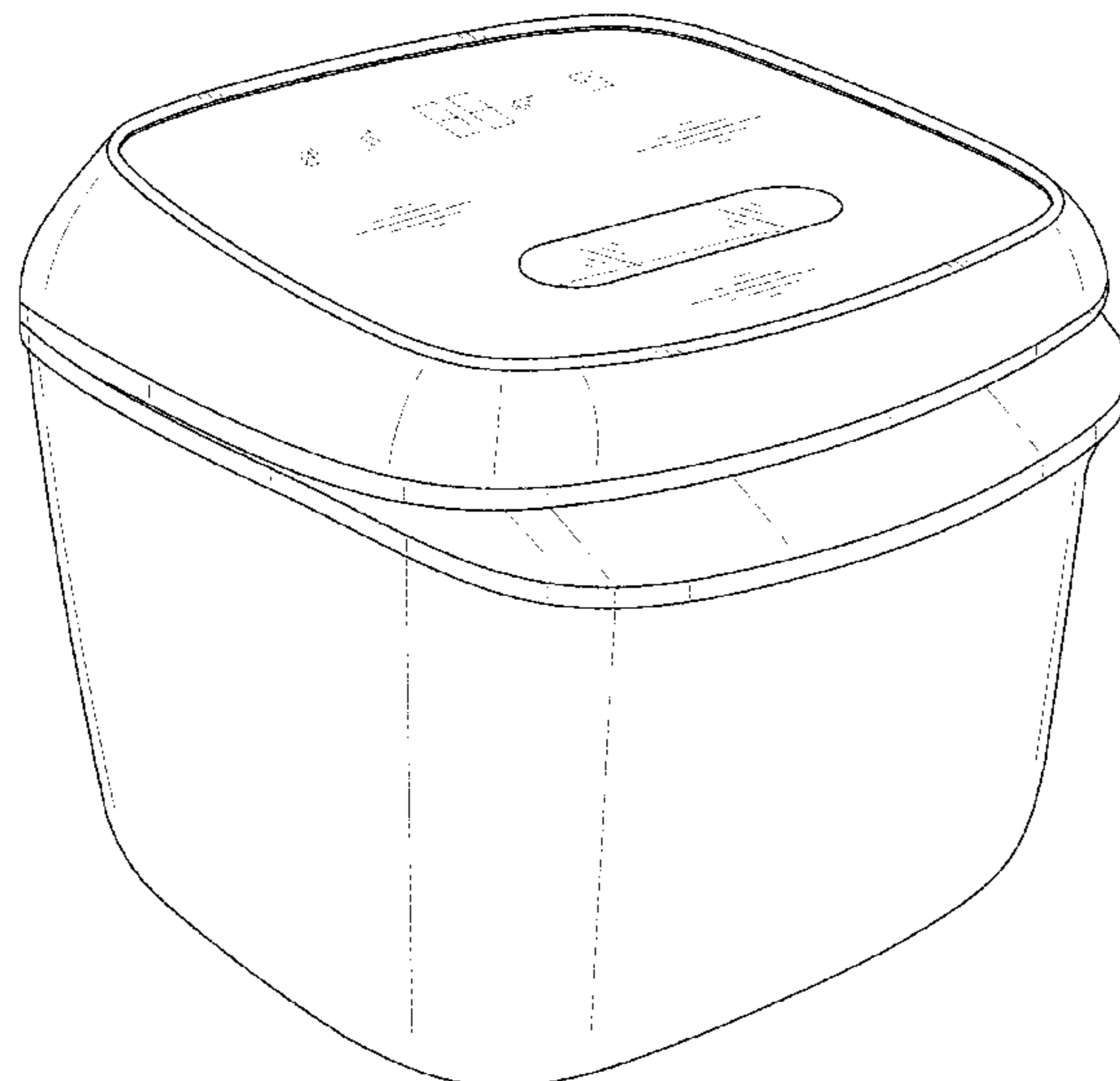
**DESCRIPTION**

FIG. 1 is a Perspective view of a UV sterilizer showing my new design;  
FIG. 2 is a Front view thereof;  
FIG. 3 is a Back view thereof;  
FIG. 4 is a Right-side view thereof;  
FIG. 5 is a Left-side view thereof;  
FIG. 6 is a Top view thereof; and,  
FIG. 7 is a Bottom view thereof.  
The broken lines shown in FIGS. 1-7 illustrate portions of the UV sterilizer that form no part of the claimed design.

**1 Claim, 7 Drawing Sheets**

(56) **References Cited**  
U.S. PATENT DOCUMENTS

D584,417 S 1/2009 Masee  
D629,529 S \* 12/2010 Russell, II ..... D24/217  
D704,349 S \* 5/2014 Williams ..... D24/217



(56)

**References Cited**

OTHER PUBLICATIONS

UV Sanitizer | UV Sterilizer | Hospital Strength Sterilizer Using UV Light | Sterilizes Virtually Anything in Minutes with No Cleaning Required | Touch Screen Control | FCC Approved (White Glass), [https://www.amazon.co.uk/dp/B0895DKMZ9?ref=myi\\_title\\_dp](https://www.amazon.co.uk/dp/B0895DKMZ9?ref=myi_title_dp), May 7, 2019.

\* cited by examiner

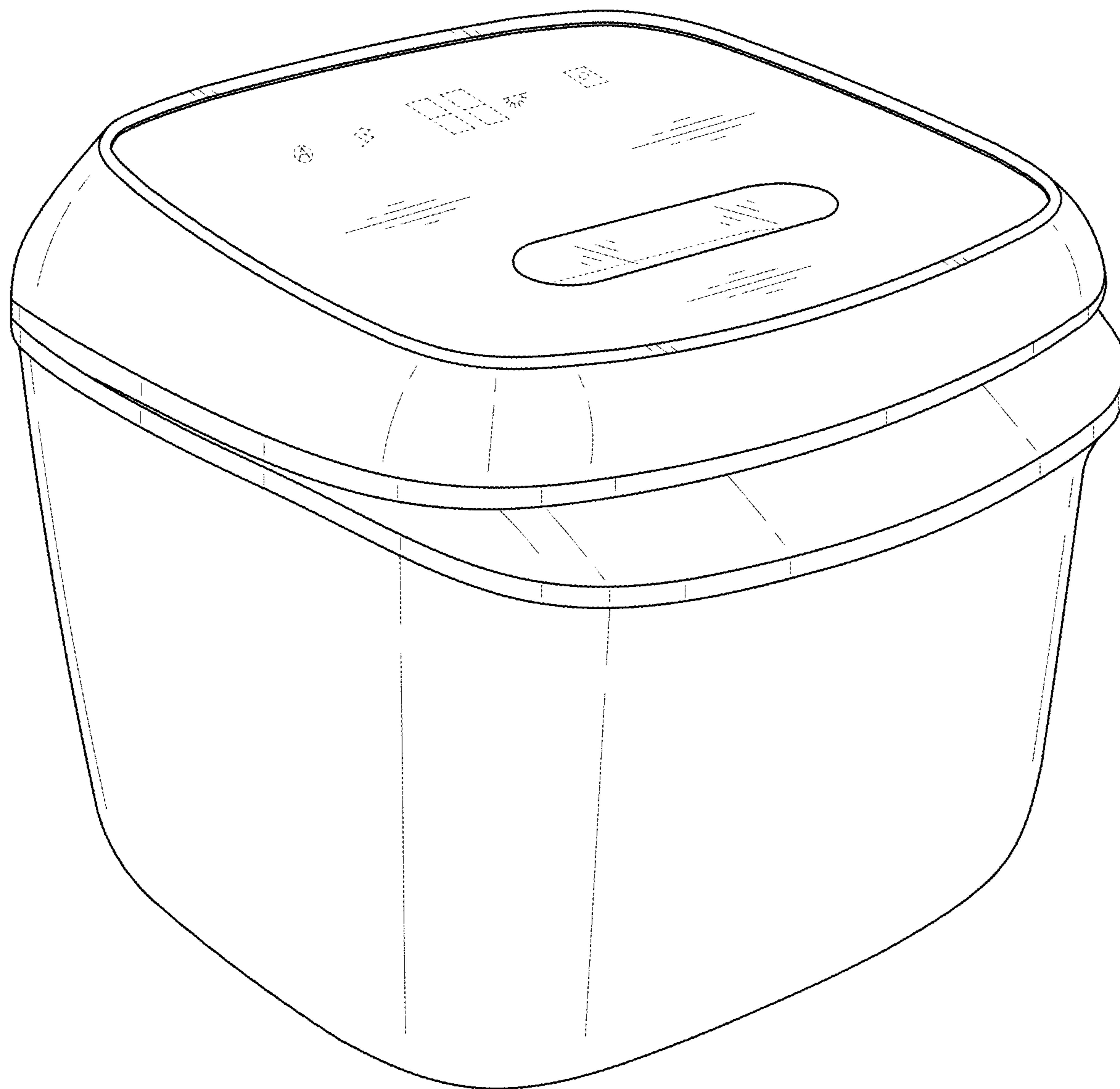


FIG. 1

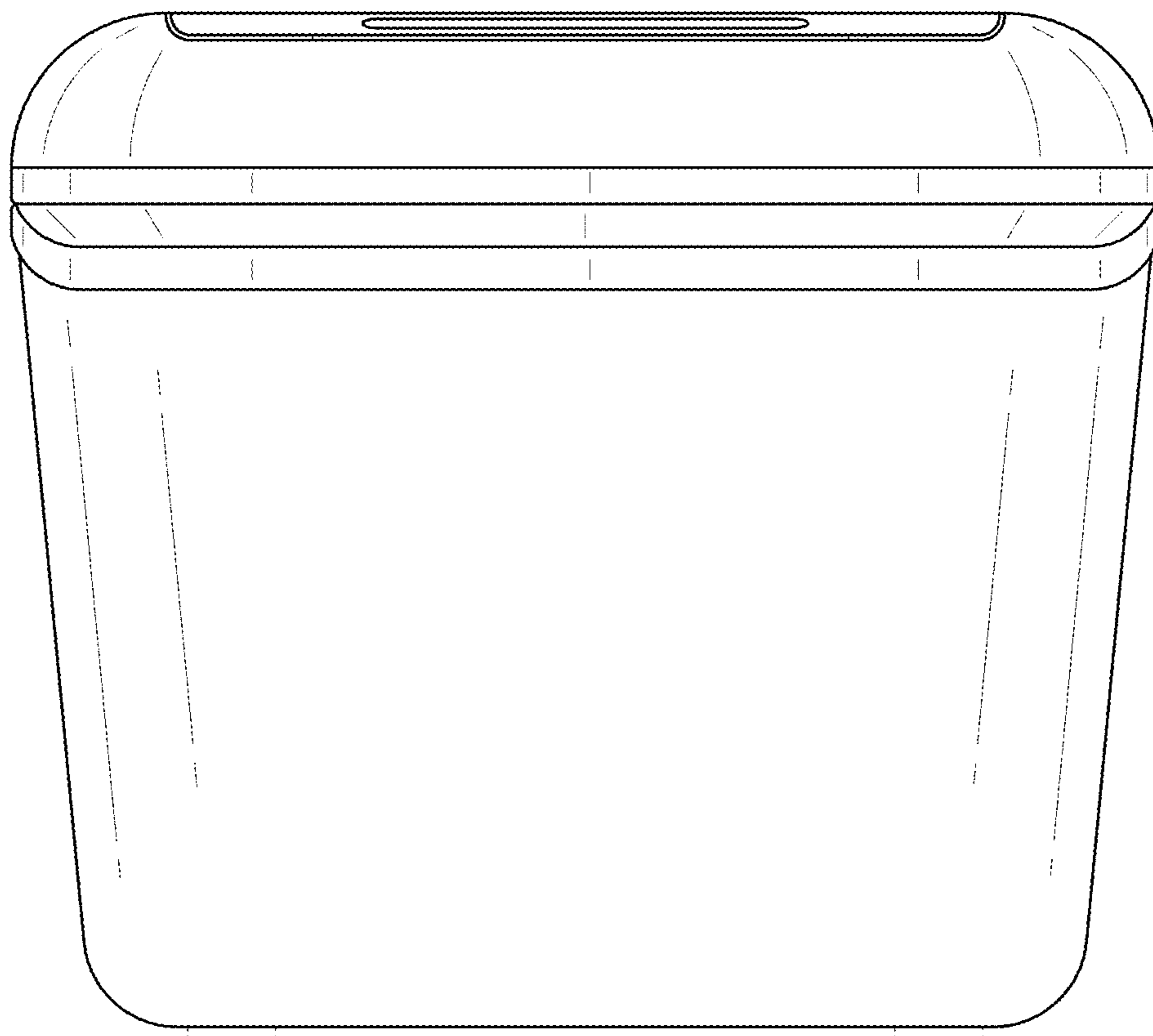


FIG. 2

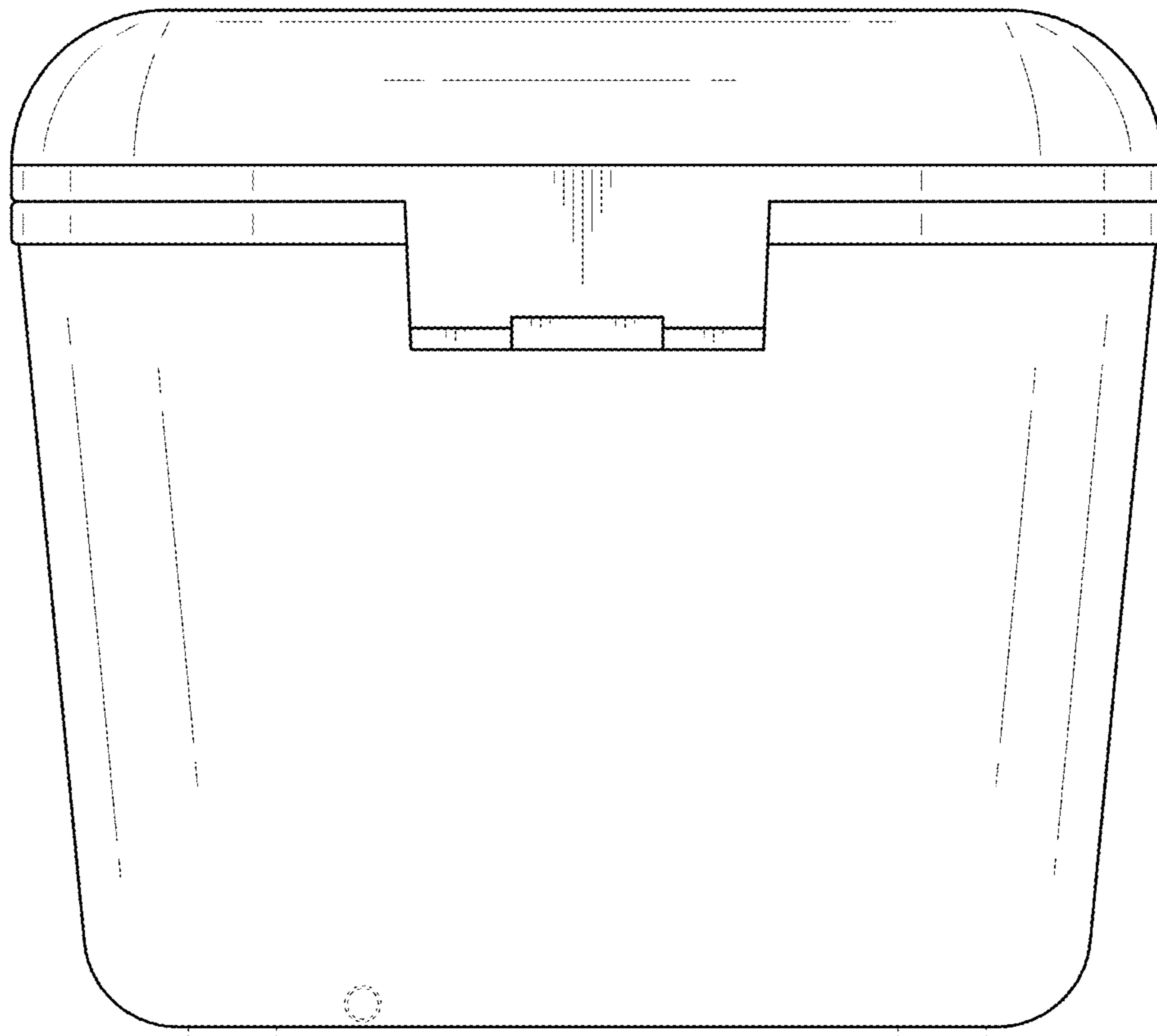


FIG. 3

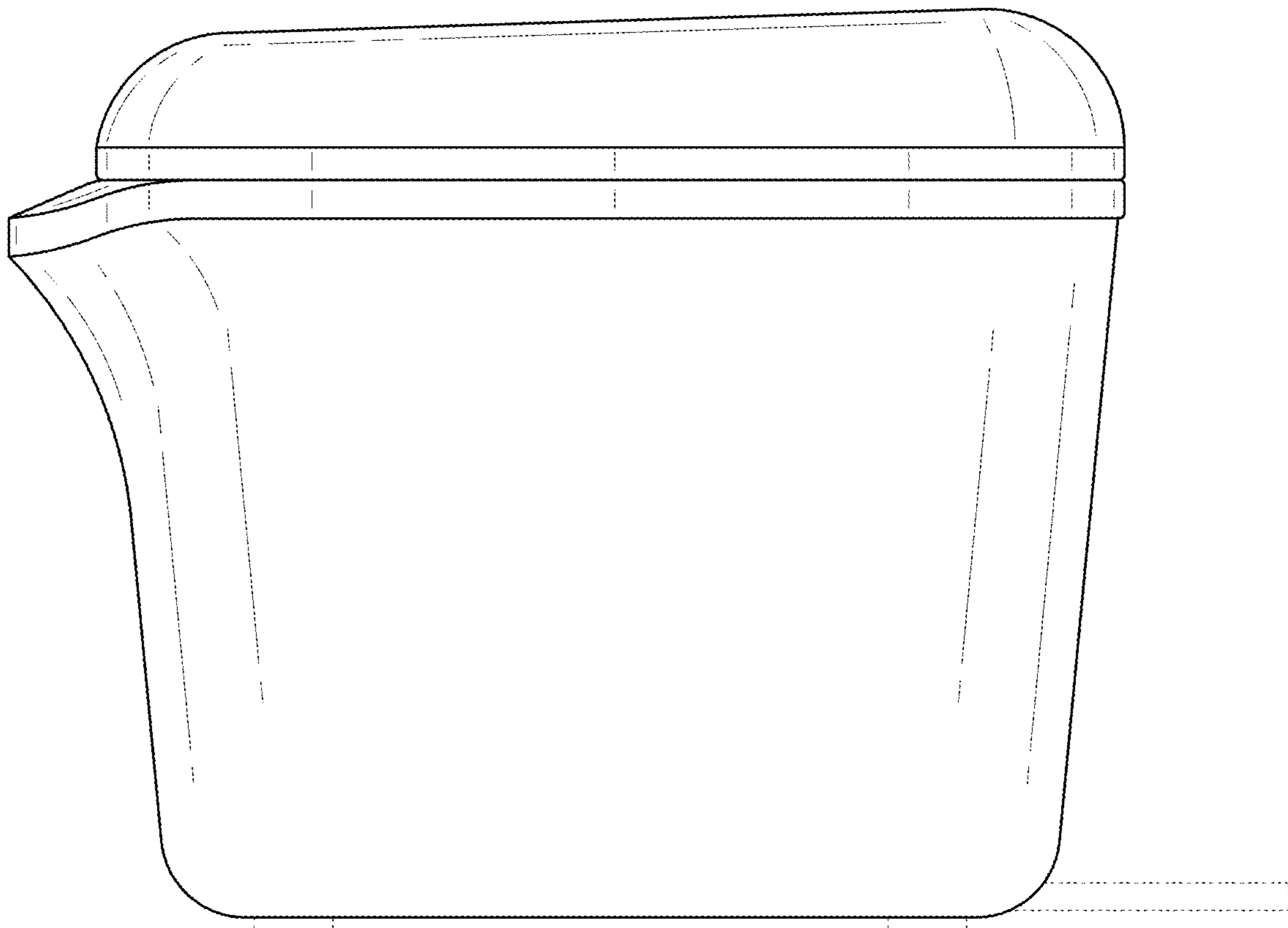


FIG. 4

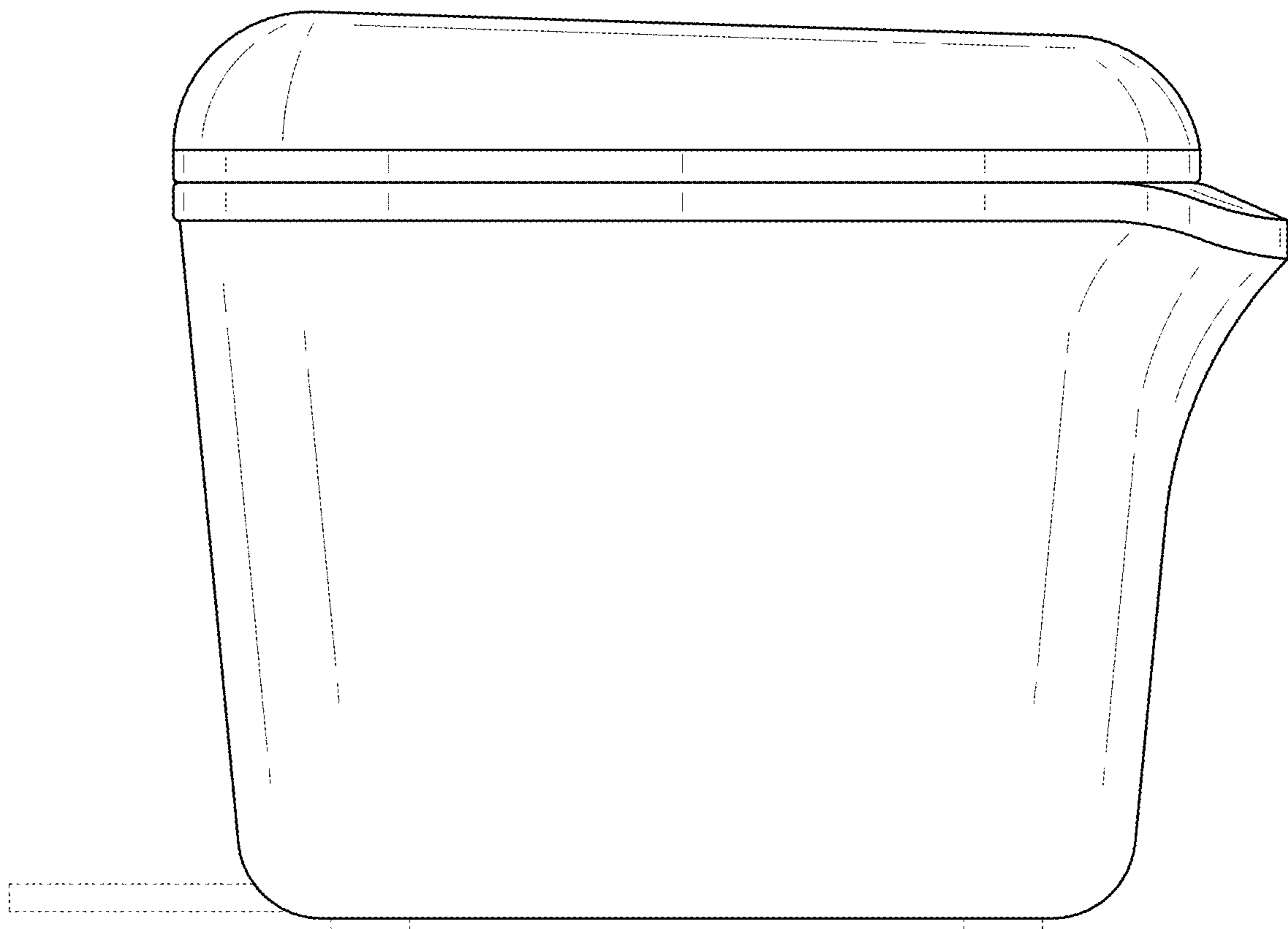


FIG. 5

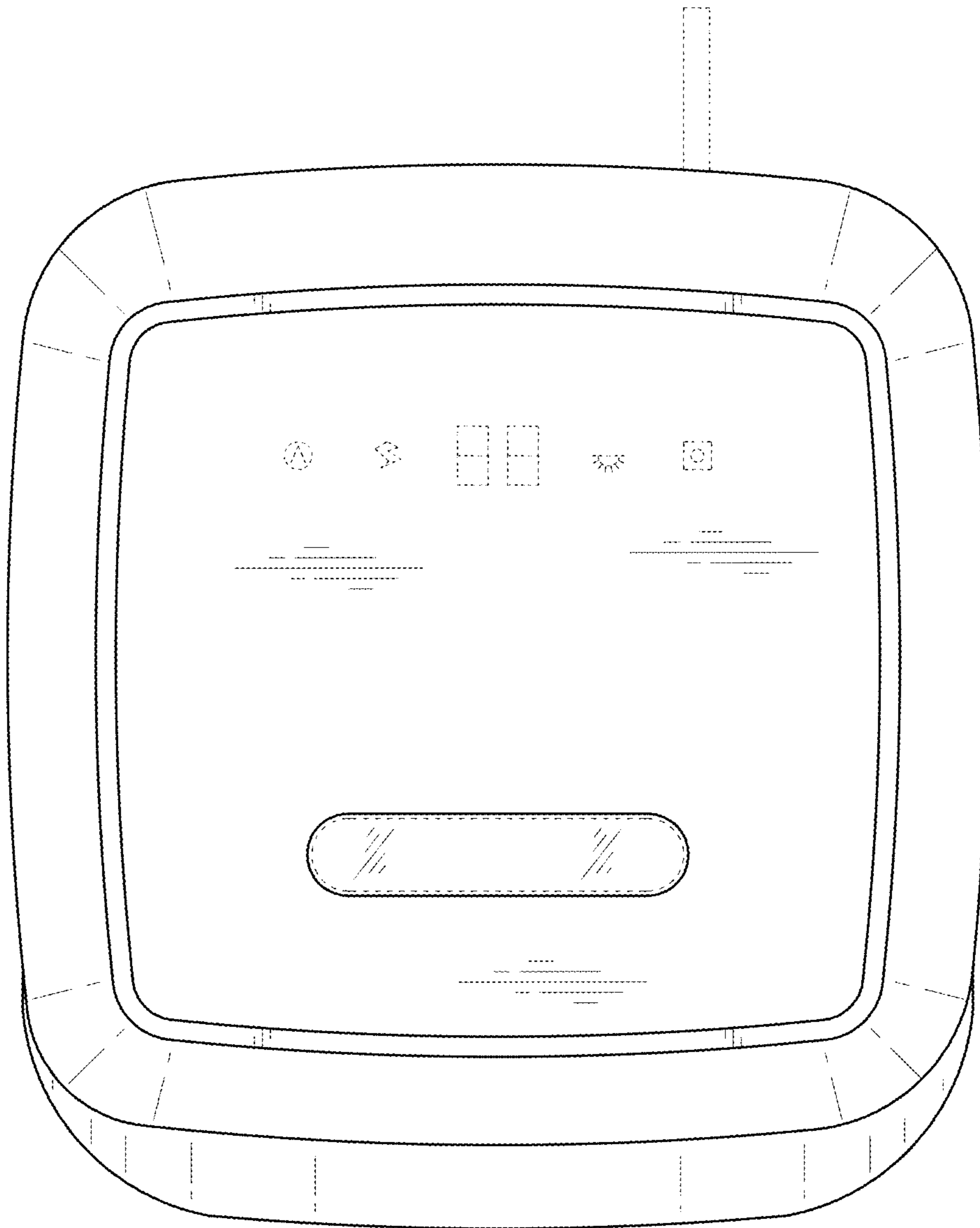


FIG. 6



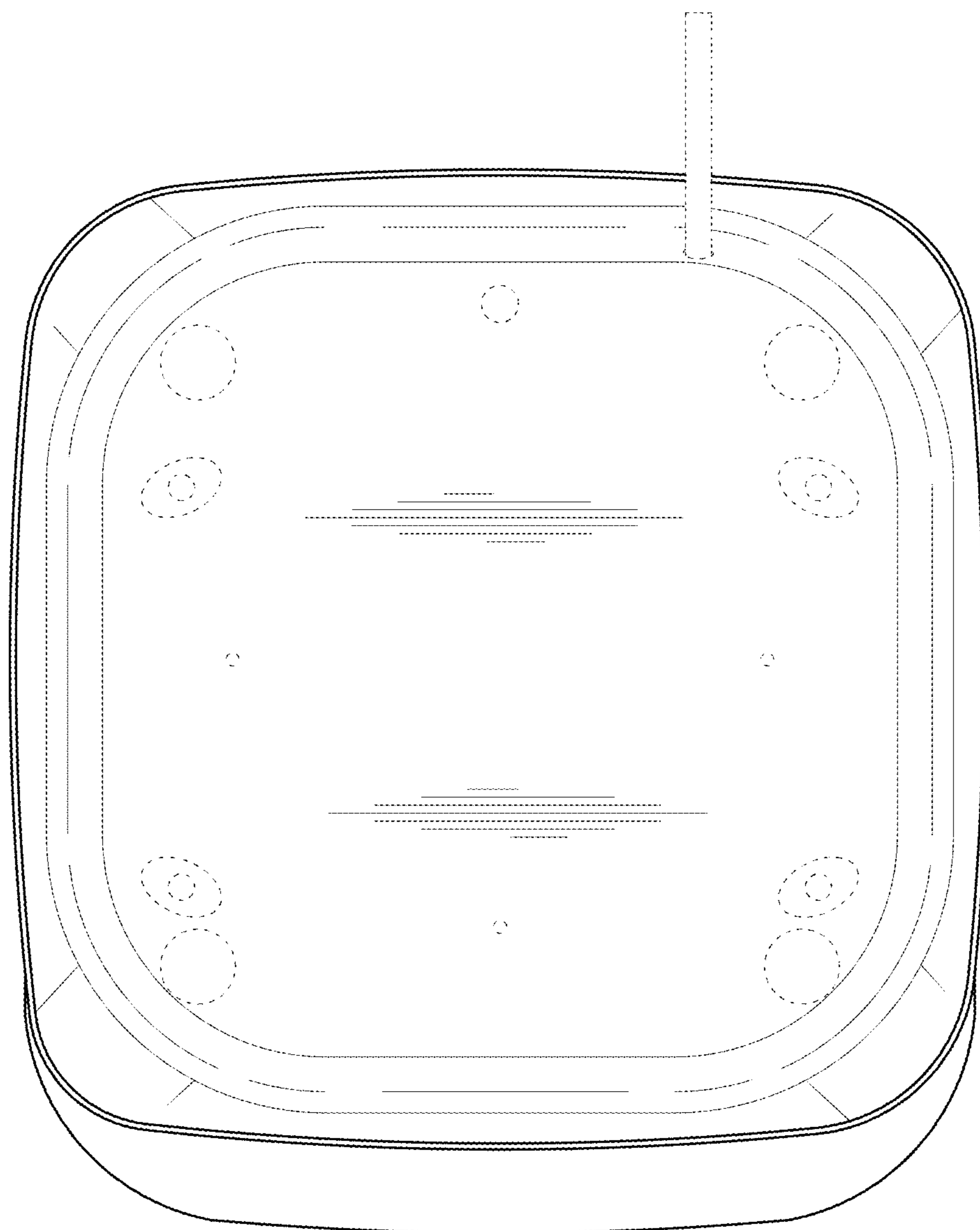


FIG. 7