



US00D901710S

(12) **United States Design Patent**
Tadmor et al.

(10) **Patent No.:** **US D901,710 S**
(45) **Date of Patent:** **** Nov. 10, 2020**

- (54) **COMPUTERIZED IN-VITRO DIAGNOSIS MACHINE**
- (71) Applicants: **Ari Tadmor**, Herzliya (IL); **Noa Halavee**, Tel Aviv (IL)
- (72) Inventors: **Ari Tadmor**, Herzliya (IL); **Noa Halavee**, Tel Aviv (IL)
- (73) Assignee: **ADOR DIAGNOSTICS LTD.**, Limassol (CY)
- (**) Term: **15 Years**
- (21) Appl. No.: **29/688,623**
- (22) Filed: **Apr. 23, 2019**
- (51) **LOC (12) Cl.** **24-01**
- (52) **U.S. Cl.**
USPC **D24/216**
- (58) **Field of Classification Search**
USPC D24/107, 169, 186, 216, 219, 231, 232;
D10/81
CPC G01N 2035/00306; G01N 2035/00326;
G01N 2035/00336; G01N 2030/027;
G01N 21/76; G01N 33/50; G01N 35/025
See application file for complete search history.

- D809,143 S * 1/2018 Long D24/164
- D825,777 S * 8/2018 Quick D24/232
- D830,210 S * 10/2018 Ihara D10/81
- D835,293 S * 12/2018 Masuda D24/232
- D864,415 S * 10/2019 Norton D24/232
- D883,510 S * 5/2020 Neuman D24/216
- 2015/0226759 A1 * 8/2015 Connolly G01N 35/025
435/287.3
- 2019/0022648 A1 * 1/2019 Kim B01L 3/502761

* cited by examiner

Primary Examiner — Anhdao Doan

(74) *Attorney, Agent, or Firm* — Sughrue Mion, PLLC

(56) **References Cited**
U.S. PATENT DOCUMENTS

- D687,561 S * 8/2013 Iseki D24/216
- D724,753 S * 3/2015 Gutmann D24/216

(57) **CLAIM**

The ornamental design for a computerized in-vitro diagnosis machine, as shown and described.

DESCRIPTION

FIG. 1 is a front view showing our design for a computerized in-vitro diagnosis machine;
FIG. 2 is a right side view thereof;
FIG. 3 is a left side view thereof;
FIG. 4 is a back view thereof;
FIG. 5 is a top view thereof;
FIG. 6 is a bottom view thereof; and,
FIG. 7 is a front perspective view thereof.

1 Claim, 7 Drawing Sheets

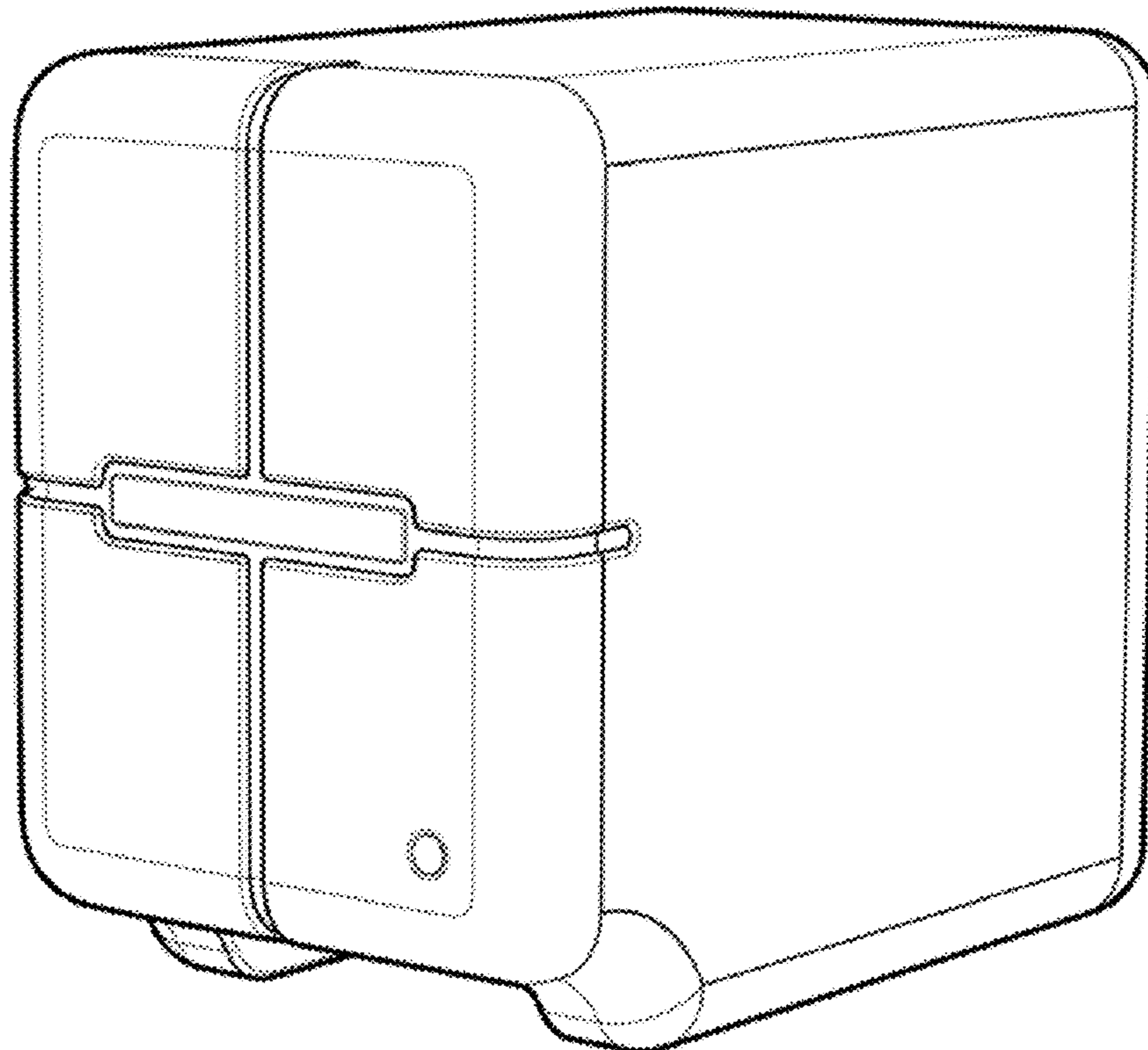


FIG. 1

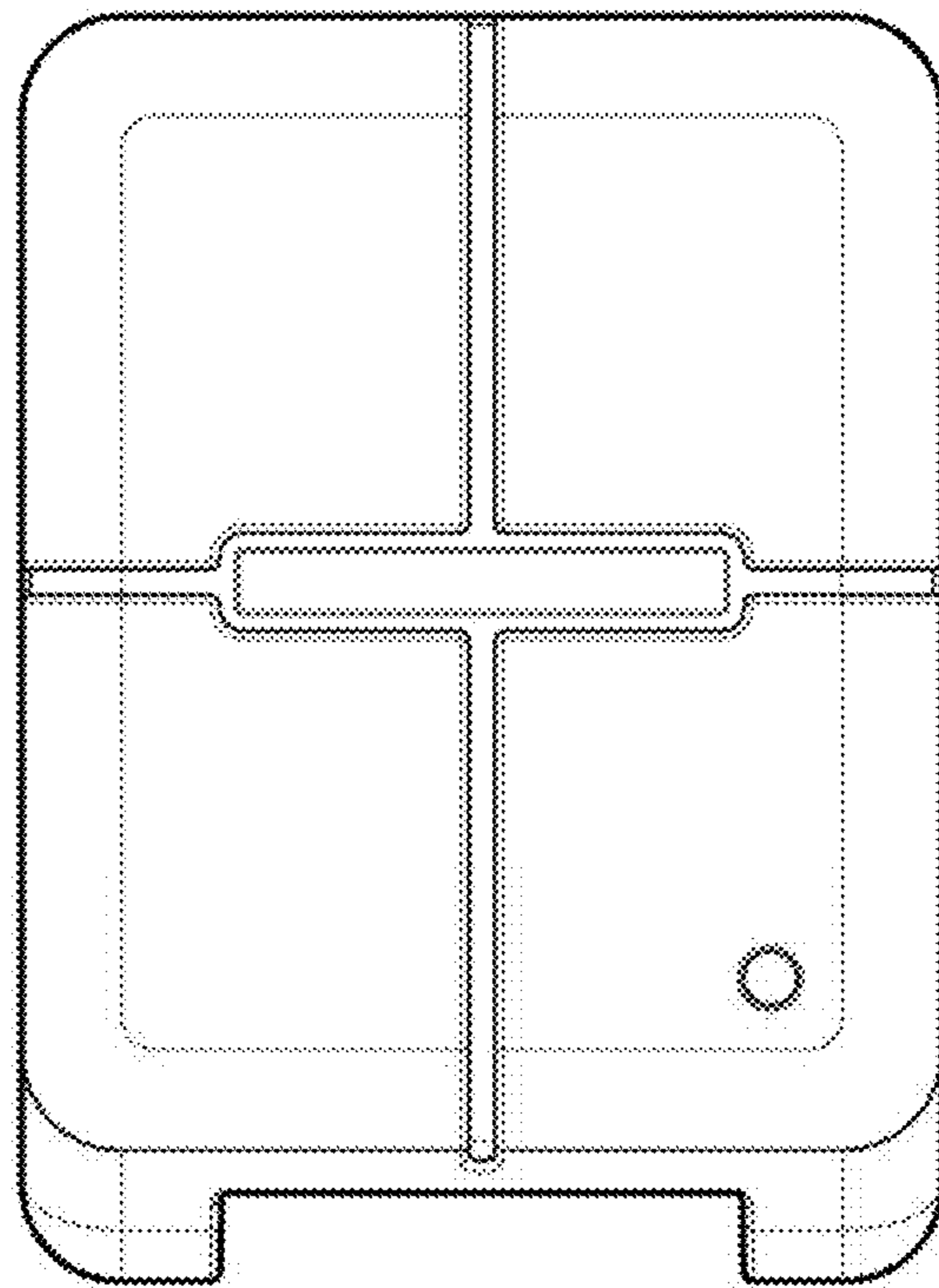


FIG. 2

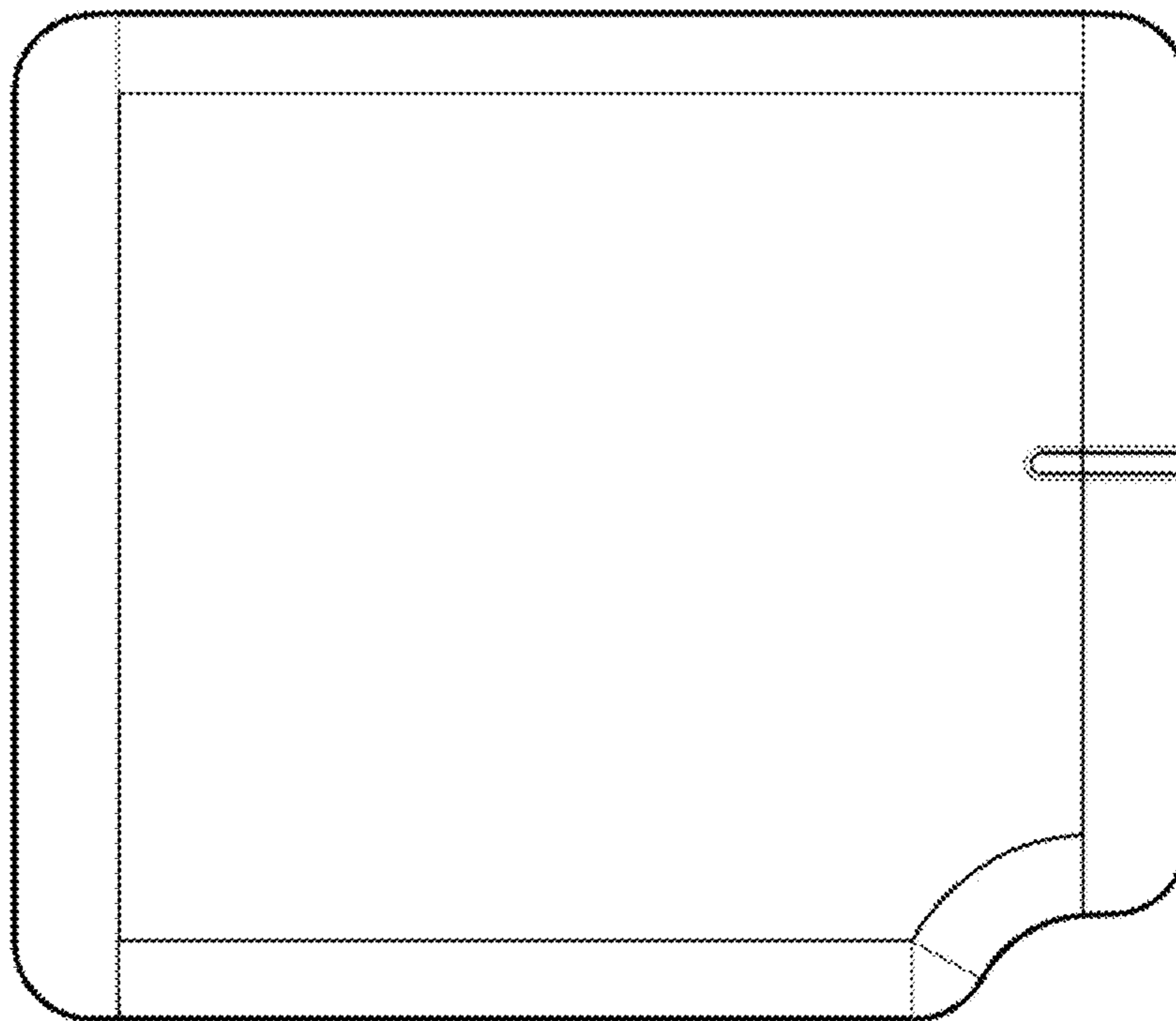


FIG. 3

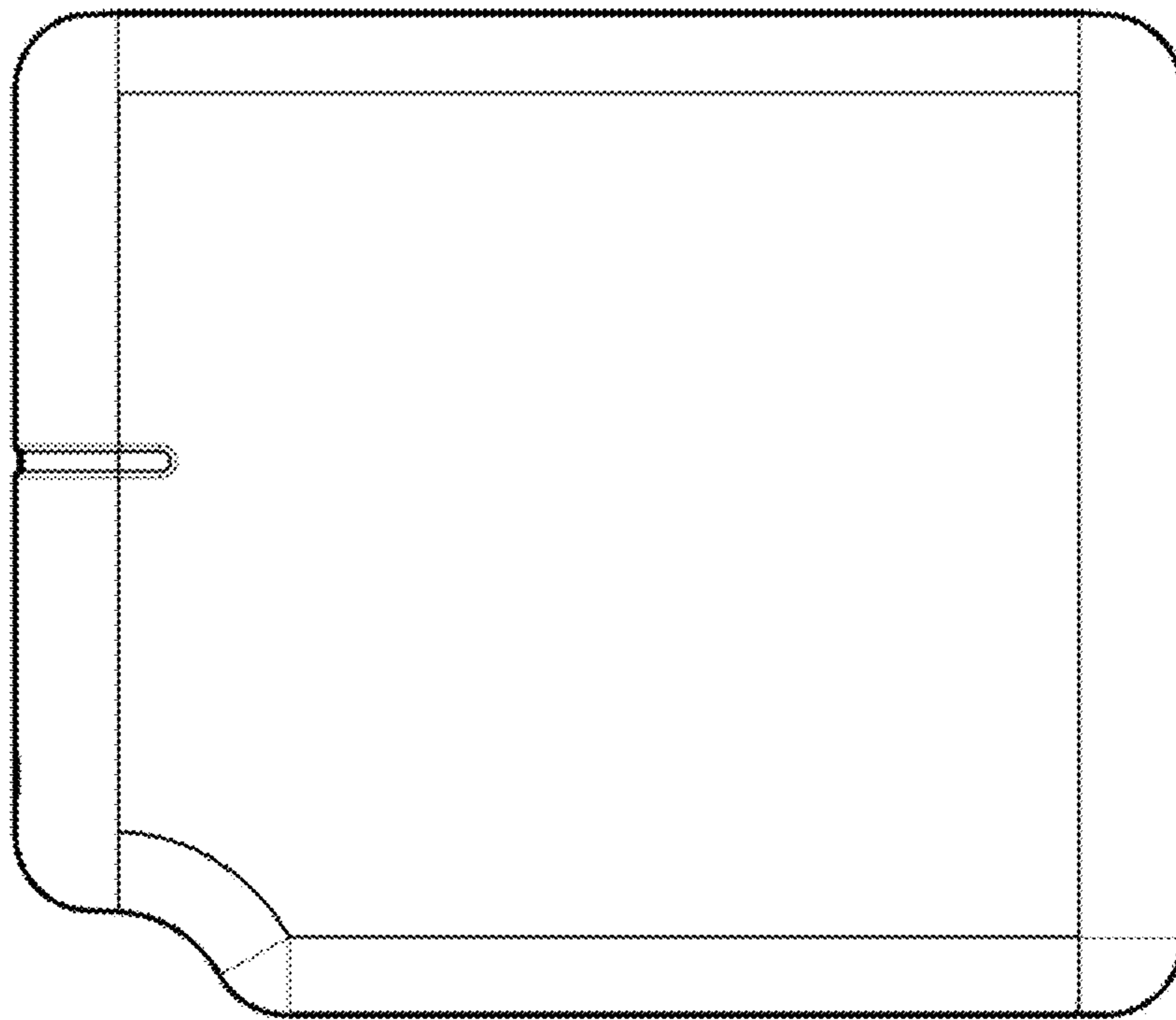


FIG. 4

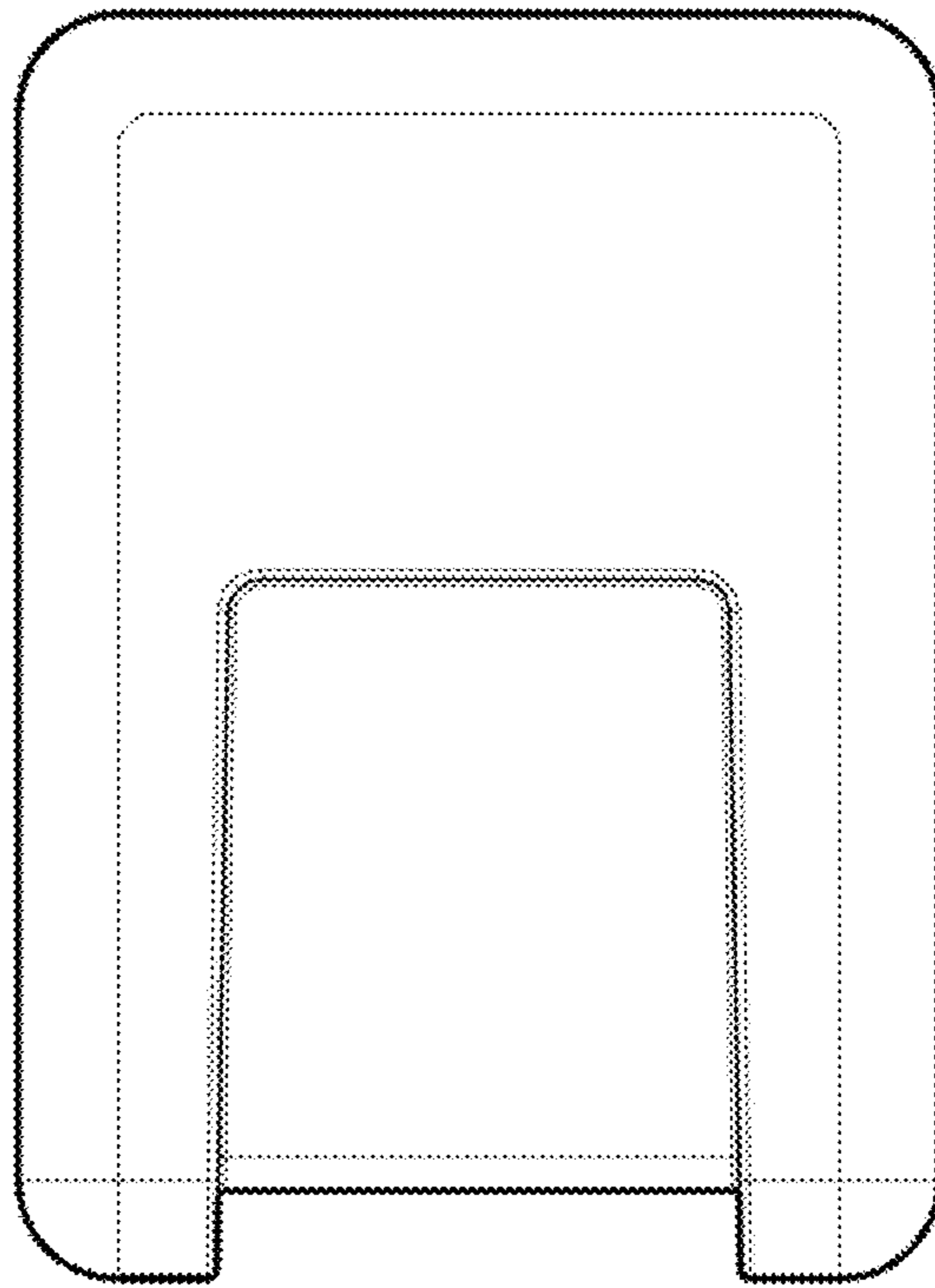


FIG. 5

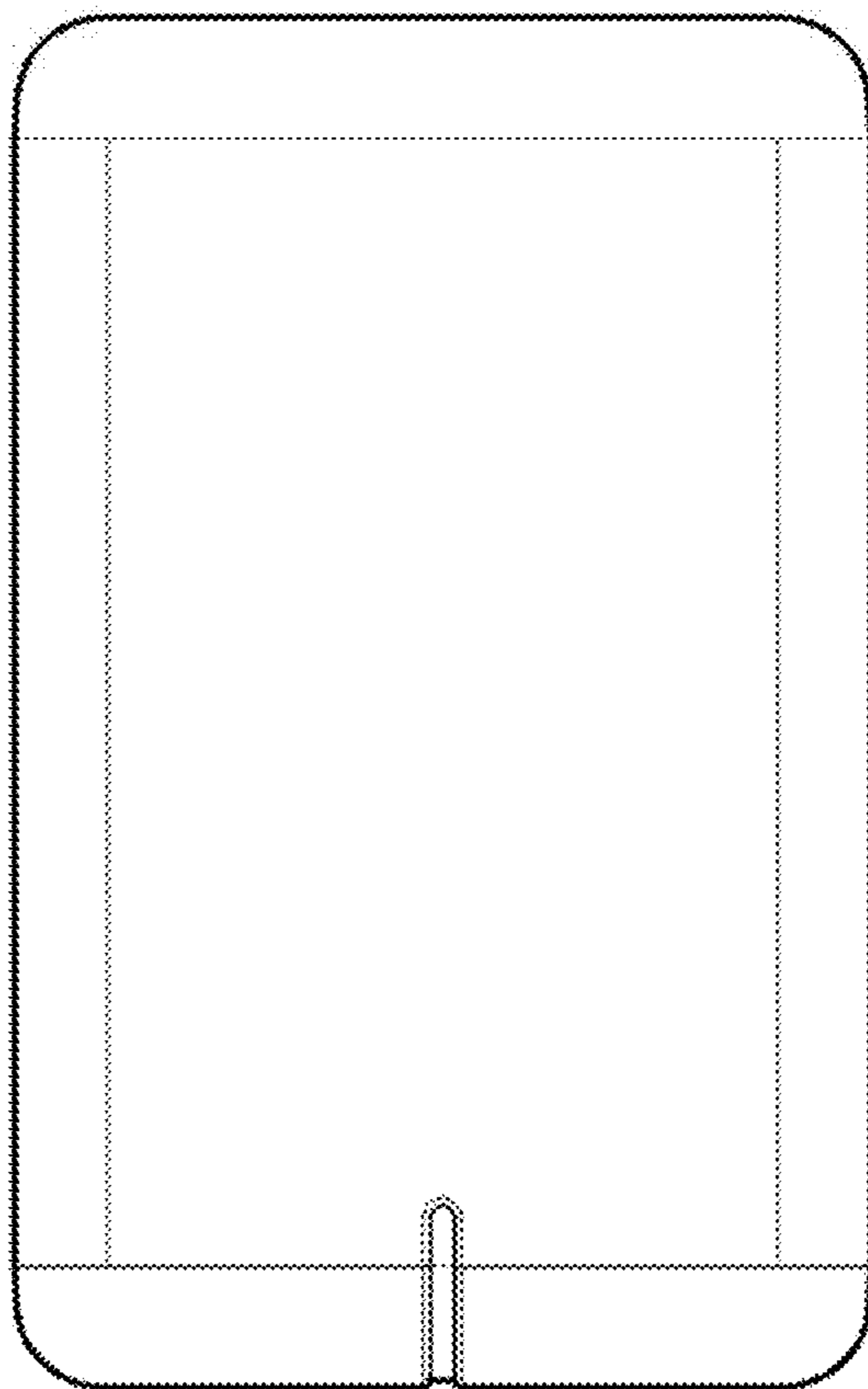


FIG. 6

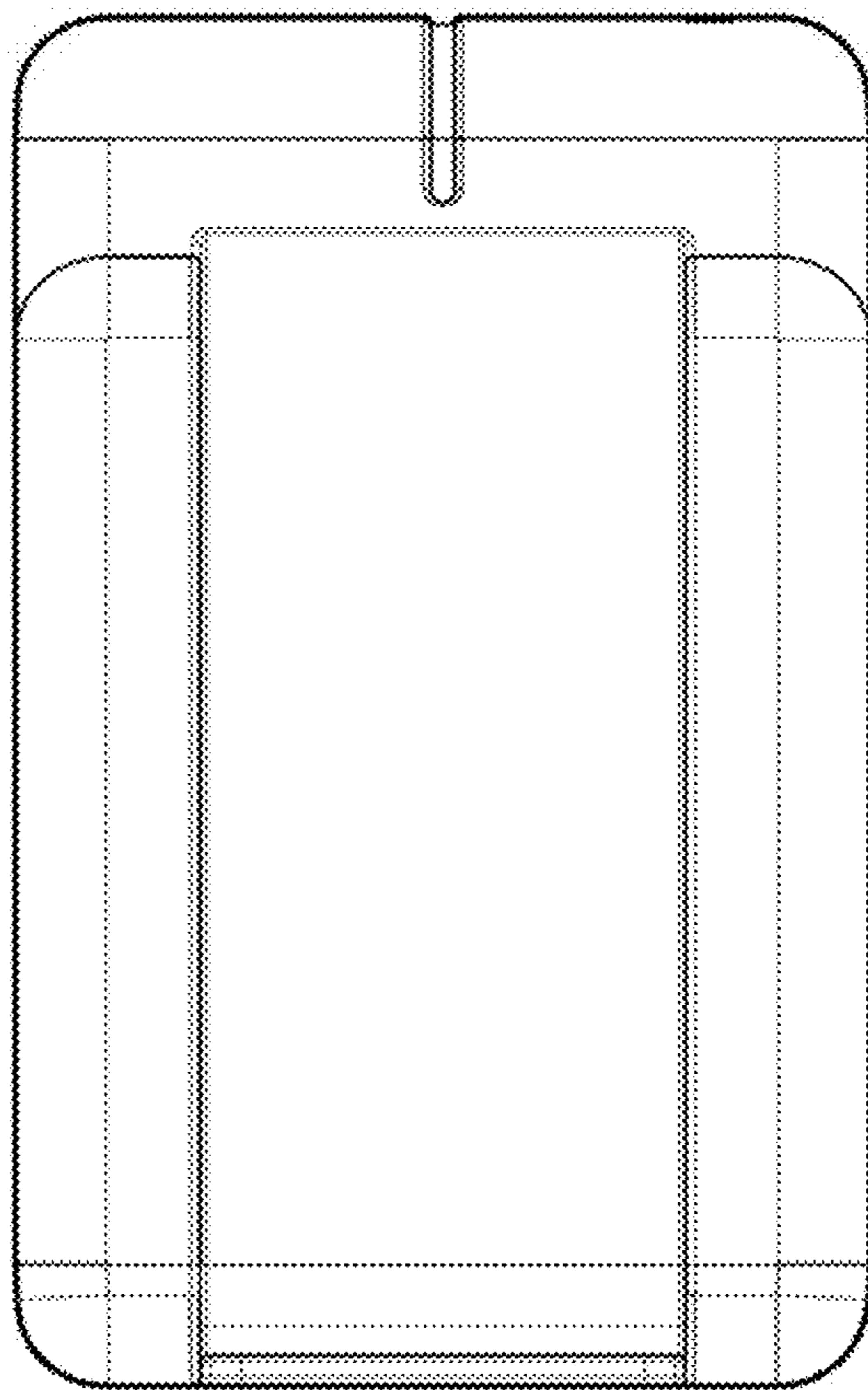


FIG. 7

